



US00D620850S

(12) **United States Design Patent**  
**Sakae et al.**

(10) **Patent No.:** **US D620,850 S**

(45) **Date of Patent:** **\*\* Aug. 3, 2010**

(54) **FRONT BUMPER FOR AN AUTOMOBILE**

D603,309 S \* 11/2009 Tada et al. .... D12/169

(75) Inventors: **Masanari Sakae**, Toyota (JP); **Moto Takabatake**, Toyota (JP)

(73) Assignee: **Toyota Jidosha Kabushiki Kaisha** (JP)

(\*\*) Term: **14 Years**

(21) Appl. No.: **29/340,812**

(22) Filed: **Jul. 27, 2009**

(51) **LOC (9) Cl.** ..... **12-16**

(52) **U.S. Cl.** ..... **D12/169**

(58) **Field of Classification Search** ..... D12/169,  
D12/196, 171, 163, 216, 90-92, 86; 293/102,  
293/113, 115, 117, 120; 296/180.1, 180.2  
See application file for complete search history.

(56) **References Cited**

**U.S. PATENT DOCUMENTS**

- D557,185 S \* 12/2007 Janik ..... D12/169
- D578,445 S \* 10/2008 Yukawa ..... D12/169
- D578,446 S \* 10/2008 Deane ..... D12/169
- D579,830 S \* 11/2008 Ishii ..... D12/169
- D584,201 S \* 1/2009 Kamimura ..... D12/169
- D586,708 S \* 2/2009 Gresens et al. .... D12/169

**OTHER PUBLICATIONS**

BMW7, Paris Motor Show 2008 Press Kit, published by BMW AG, Oct. 2008.

Lexus 041L, Toyota, ES350 Catalogue, published by Toyota Jidosha Kabushiki Kaisha, Jan. 2006.

\* cited by examiner

*Primary Examiner*—Melody N Brown

(74) *Attorney, Agent, or Firm*—SAIDMAN DesignLaw Group

(57) **CLAIM**

The ornamental design for a front bumper for an automobile, as shown and described.

**DESCRIPTION**

FIG. 1 is a perspective view of a front bumper for an automobile showing our new design;

FIG. 2 is a front view thereof;

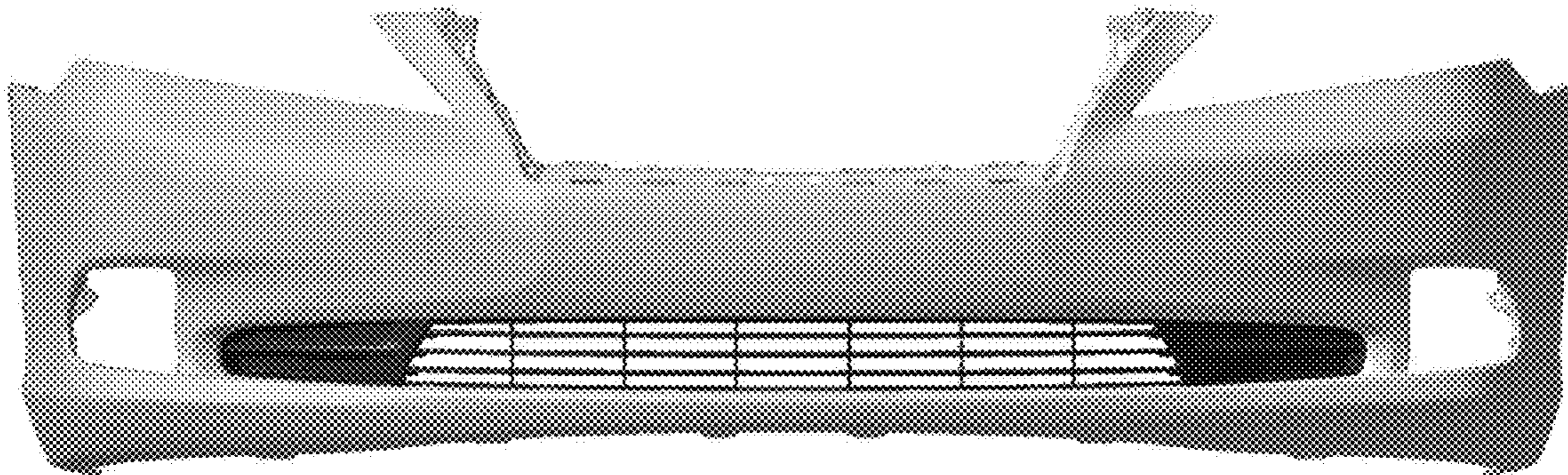
FIG. 3 is a top view thereof;

FIG. 4 is a bottom view thereof;

FIG. 5 is a left-side view thereof; and,

FIG. 6 is a right-side view thereof.

**1 Claim, 2 Drawing Sheets**



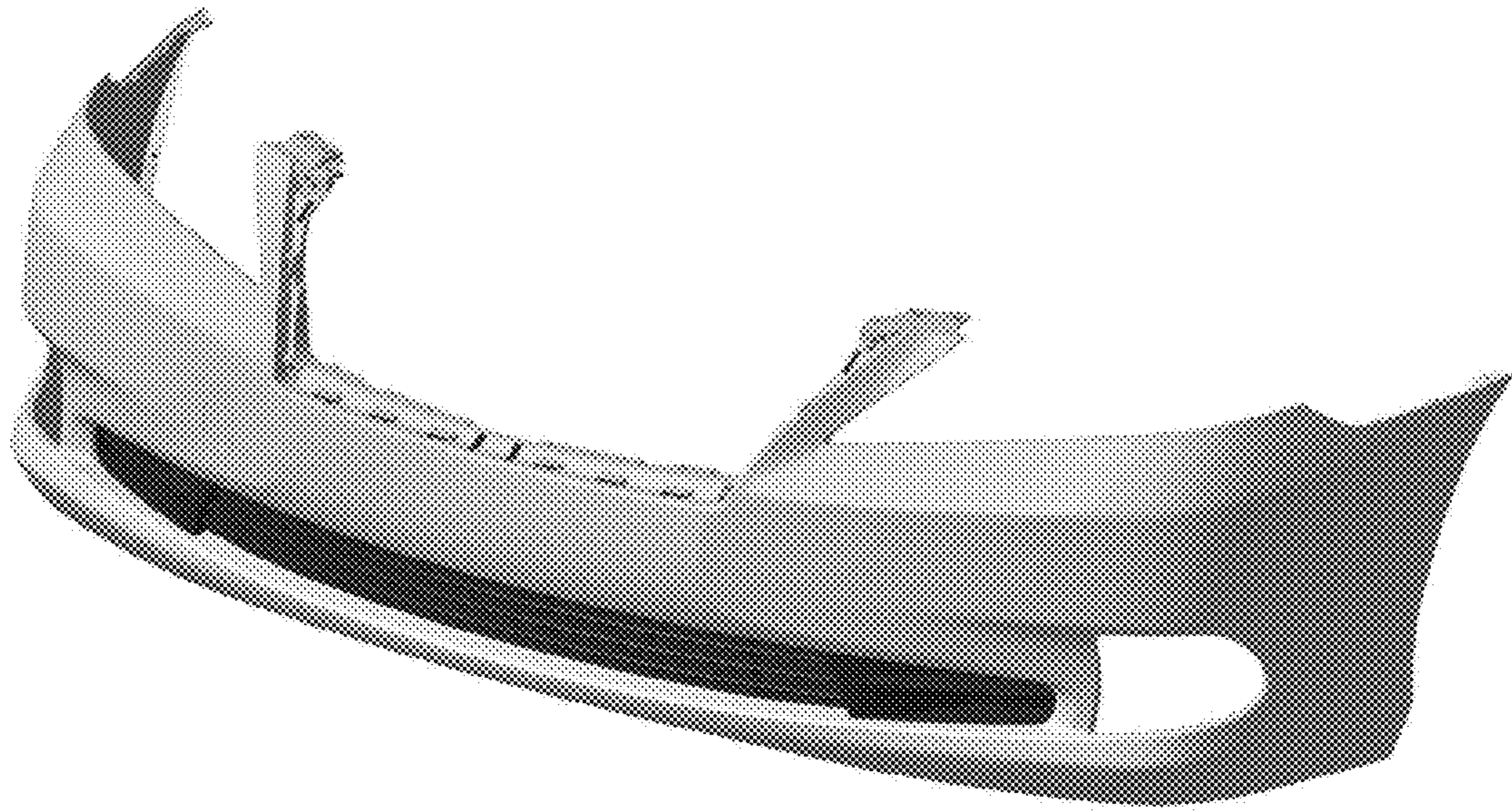


FIG. 1

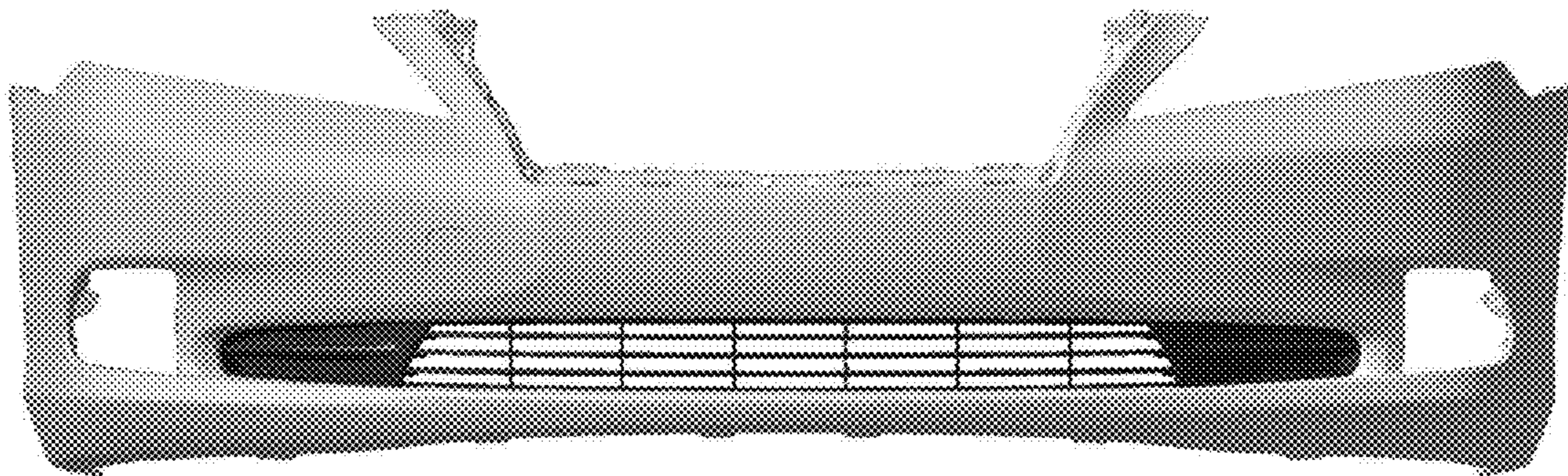


FIG. 2

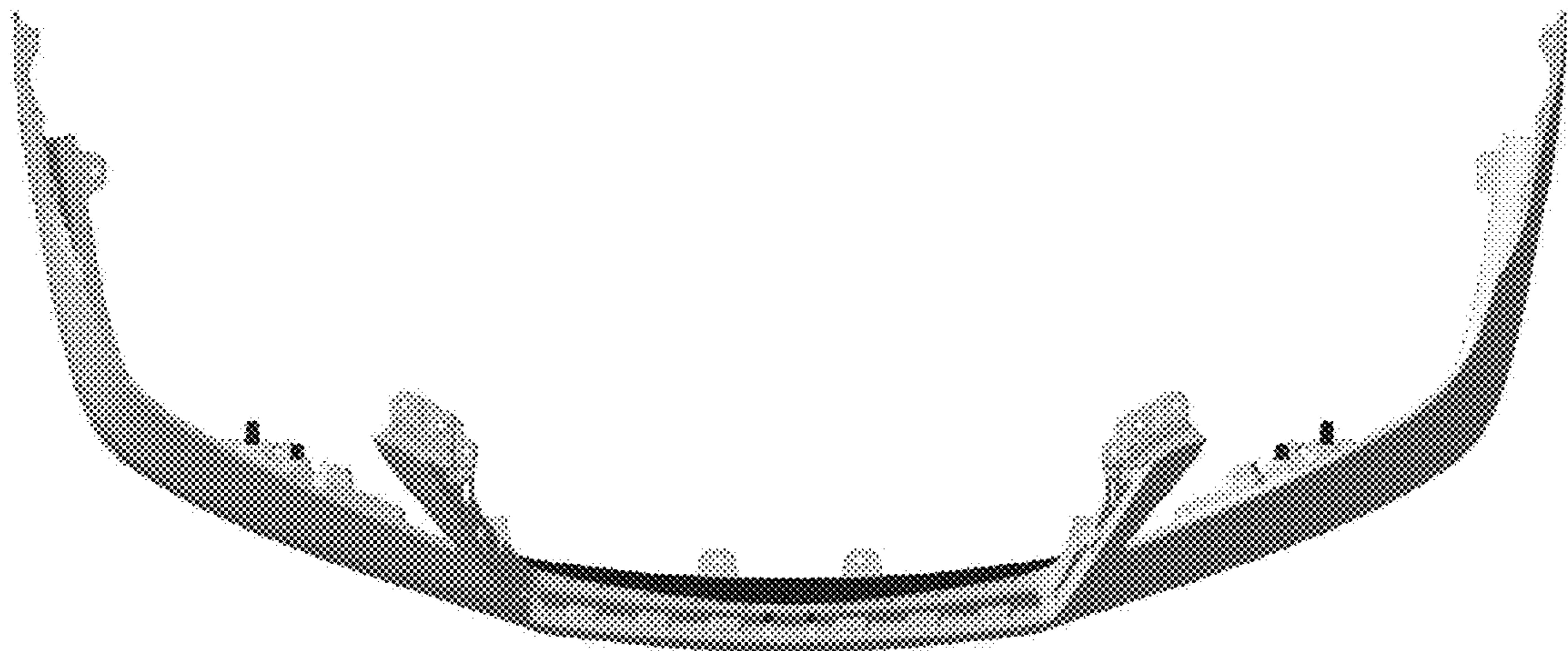


FIG. 3

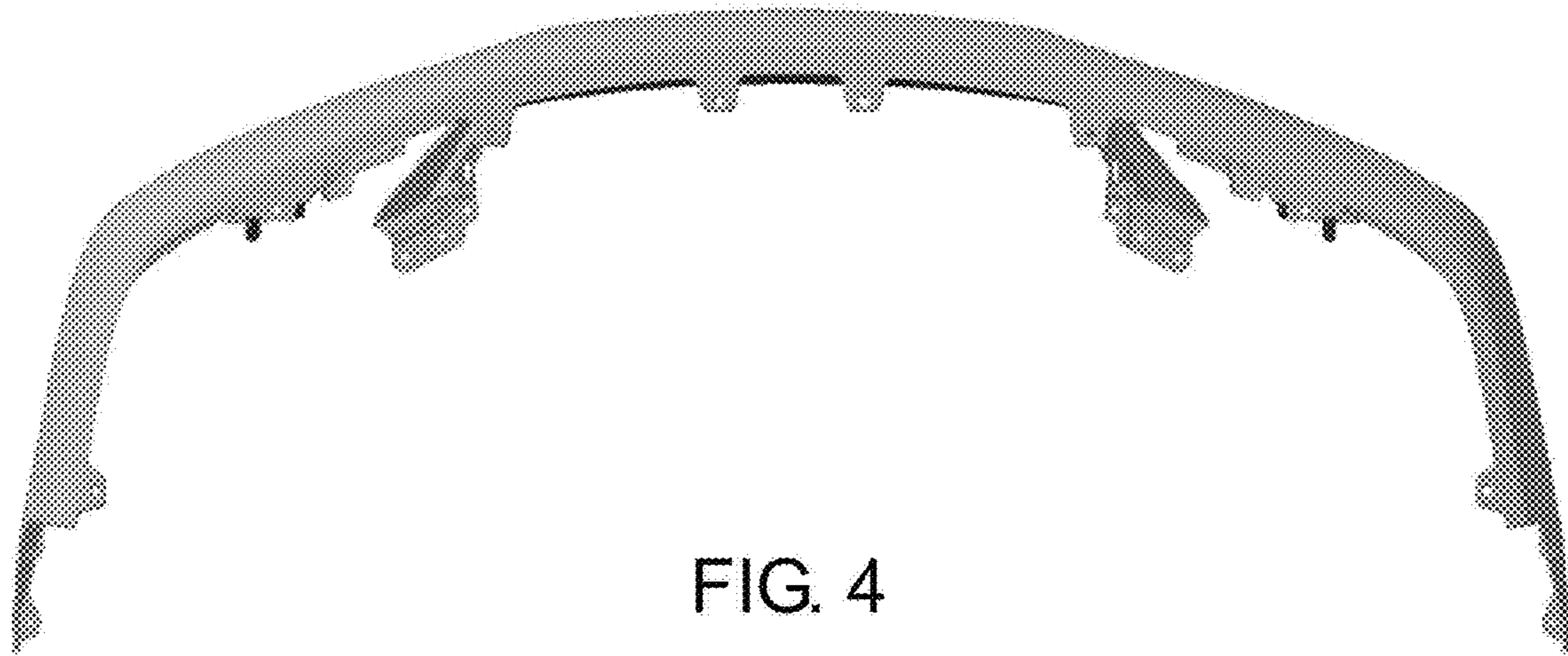


FIG. 4

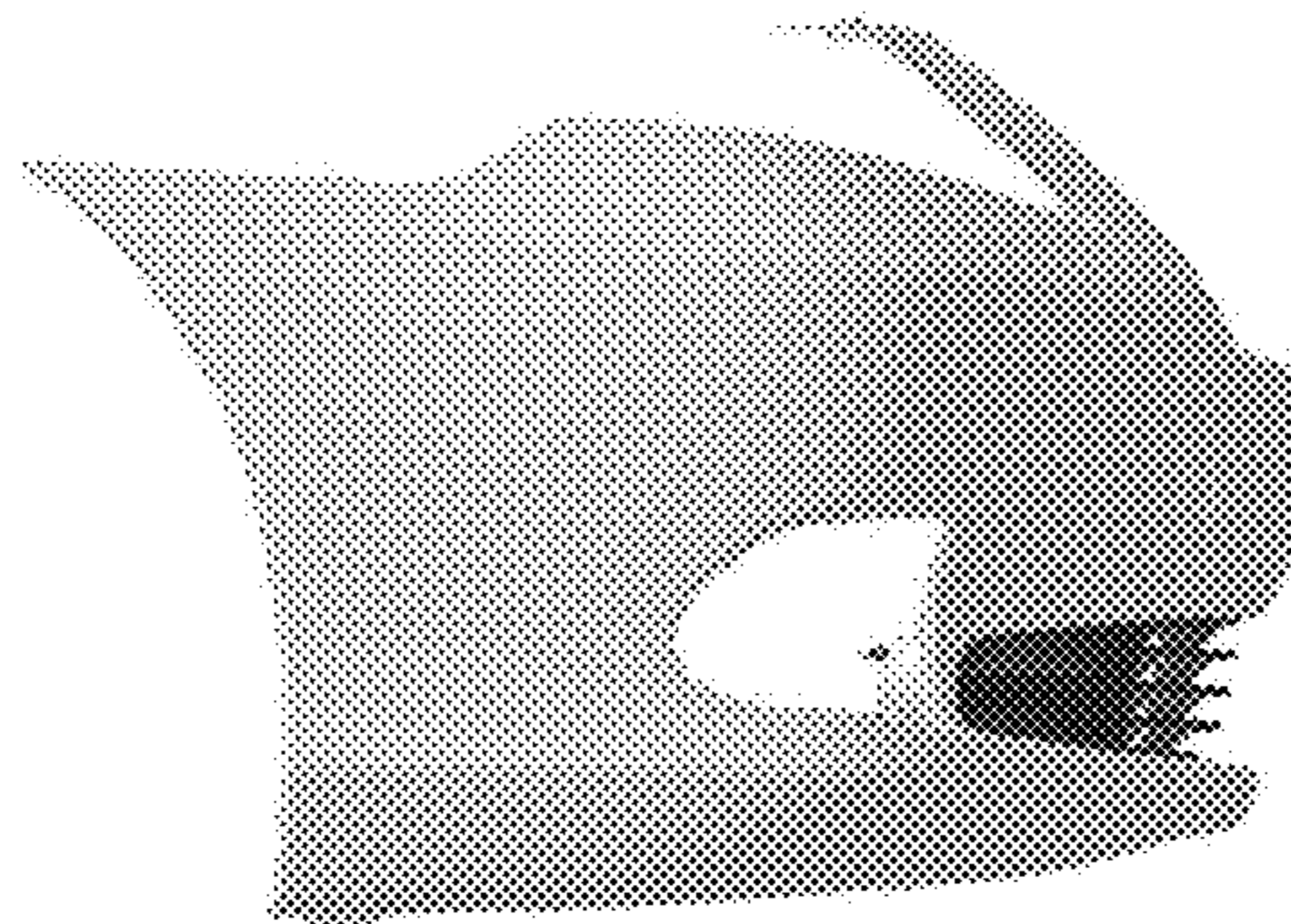


FIG. 5

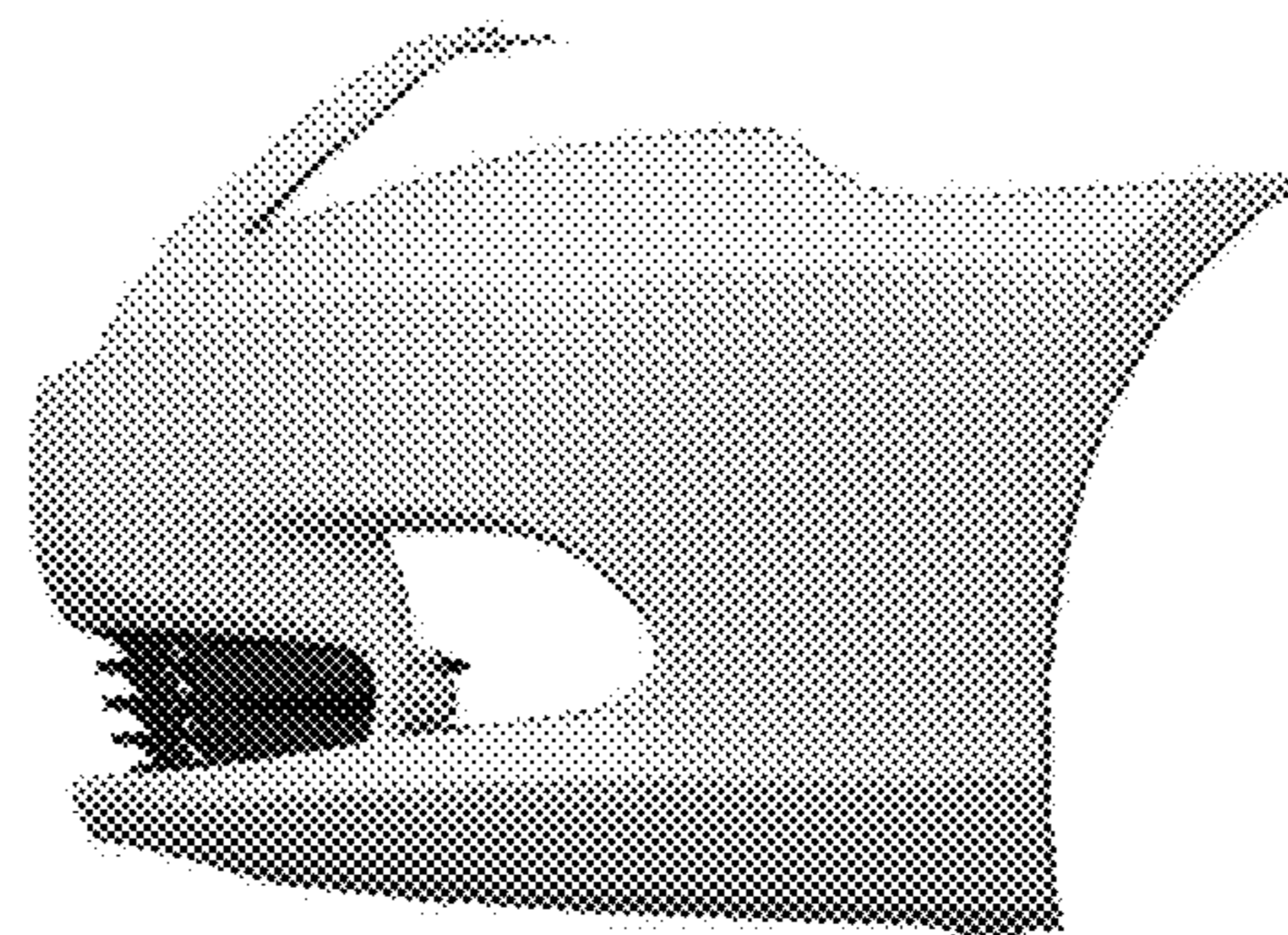


FIG. 6