



US00D620847S

(12) **United States Design Patent**
Andrews et al.

(10) **Patent No.:** **US D620,847 S**

(45) **Date of Patent:** **** Aug. 3, 2010**

(54) **WHEEL TRUCK ASSEMBLY**

(75) Inventors: **Christopher L. Andrews**, Fort Collins, CO (US); **Scott T. Schroeder**, Denver, CO (US)

(73) Assignee: **Allterraskates, LLC**, Centennial, CO (US)

(**) Term: **14 Years**

(21) Appl. No.: **29/325,457**

(22) Filed: **Oct. 1, 2008**

(51) **LOC (9) Cl.** **12-16**

(52) **U.S. Cl.** **D12/159**

(58) **Field of Classification Search** D12/112,
D12/159; D21/765, 771, 779; 267/292;
280/87.1, 11.26-11.28

See application file for complete search history.

(56) **References Cited**

U.S. PATENT DOCUMENTS

D252,693 S *	8/1979	Brawner	D21/779
D404,784 S *	1/1999	Ramage	D21/771
D421,082 S *	2/2000	Lopez	D21/771
D439,945 S *	4/2001	Kent	D21/771
6,474,666 B1 *	11/2002	Andersen et al.	280/87.041

D477,648 S * 7/2003 Smith D21/771
2002/0125670 A1 * 9/2002 Stratton 280/87.041

* cited by examiner

Primary Examiner—T. Chase Nelson

Assistant Examiner—Michael A Pratt

(74) *Attorney, Agent, or Firm*—Paul M. Thompson; Cochran Freund & Young LLC

(57) **CLAIM**

The ornamental design for a wheel truck assembly, as shown and described.

DESCRIPTION

FIG. 1 is an isometric view of a wheel truck assembly showing our new design.

FIG. 2 is a front elevation view thereof.

FIG. 3 is a top plan view thereof.

FIG. 4 is a left side elevation view thereof.

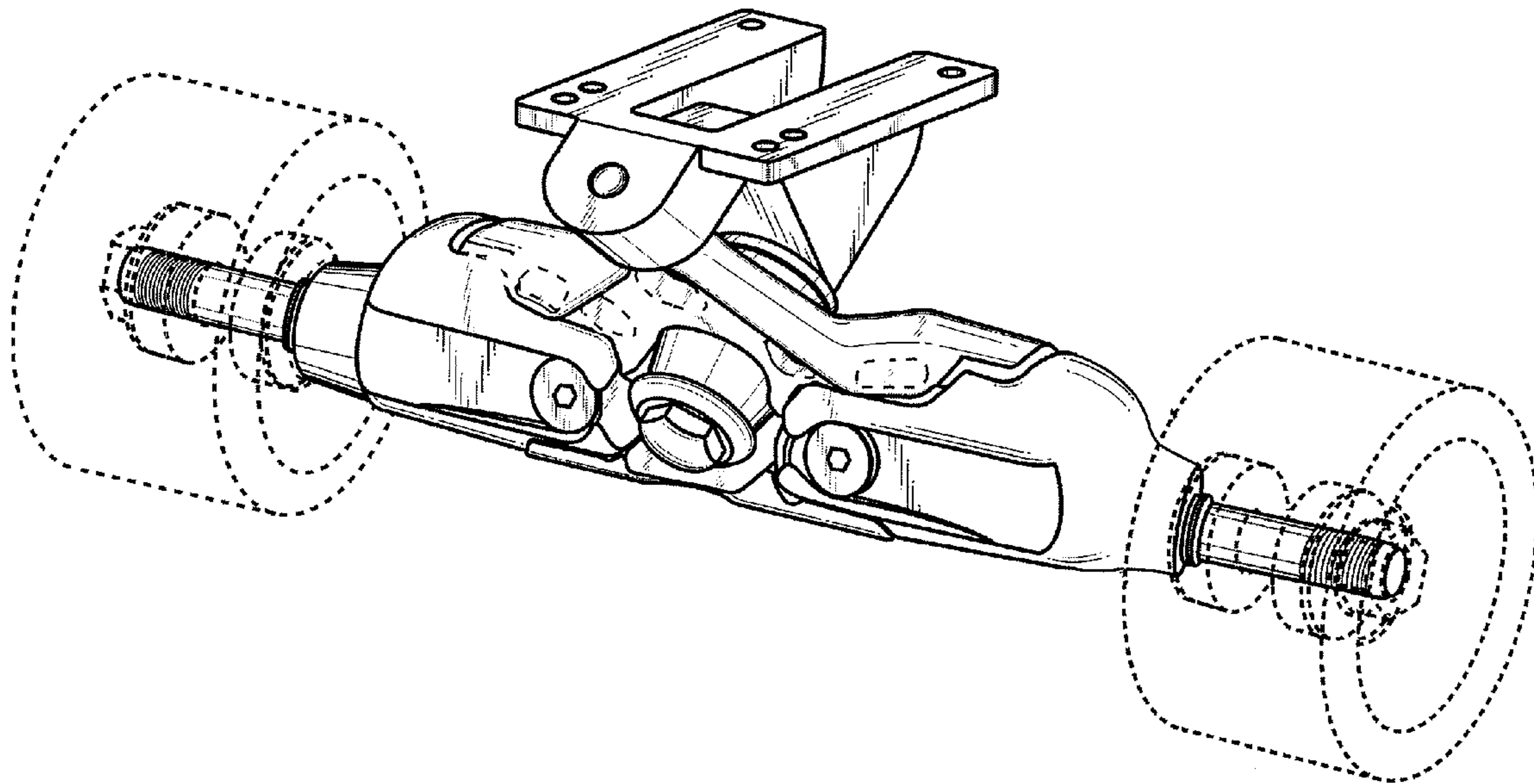
FIG. 5 is a right side elevation view thereof.

FIG. 6 is a rear elevation view thereof; and,

FIG. 7 is a bottom plan view thereof.

The broken line showing is included for illustrative purposes only and forms no part of the claimed design.

1 Claim, 6 Drawing Sheets



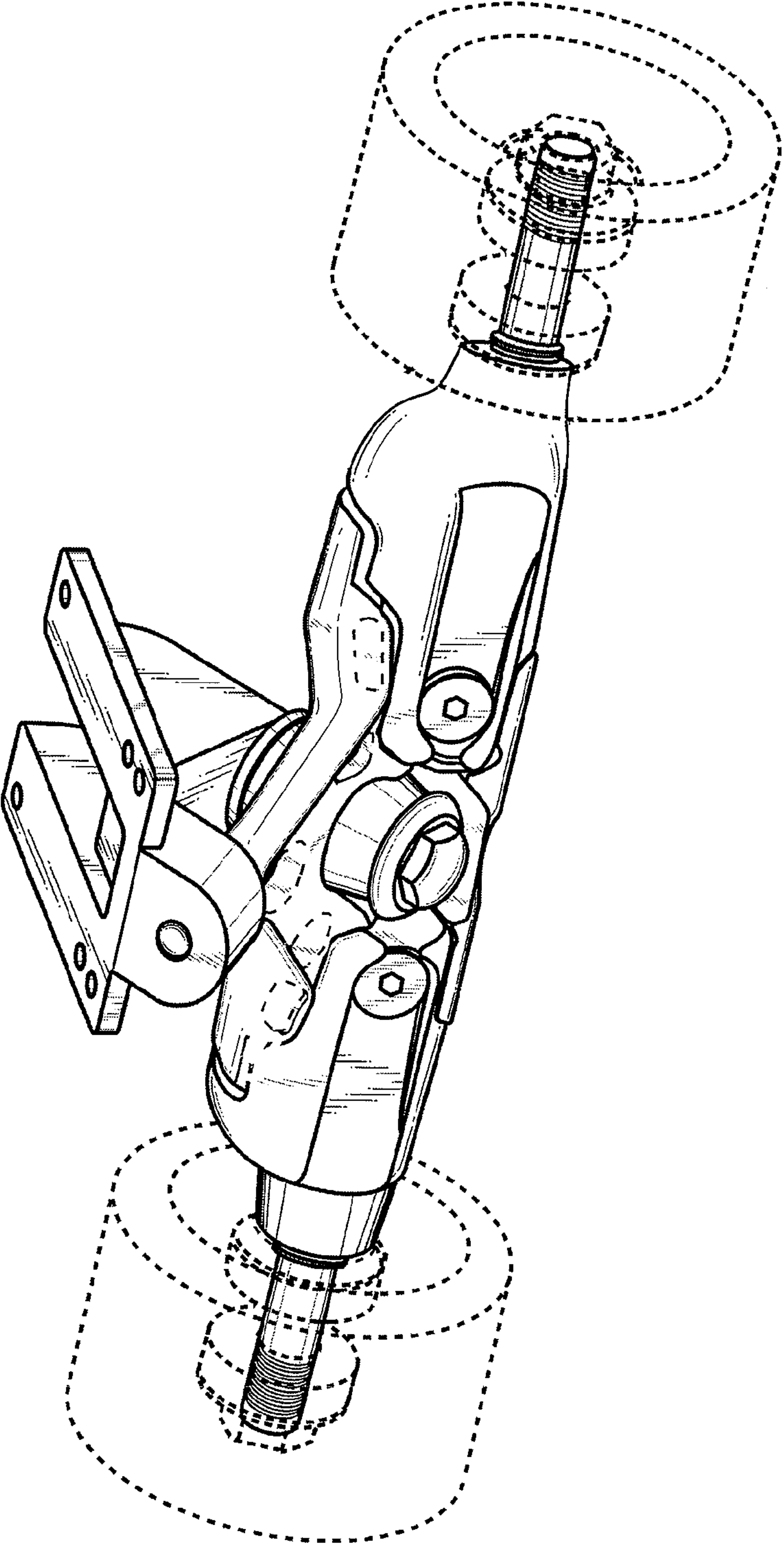


FIGURE 1

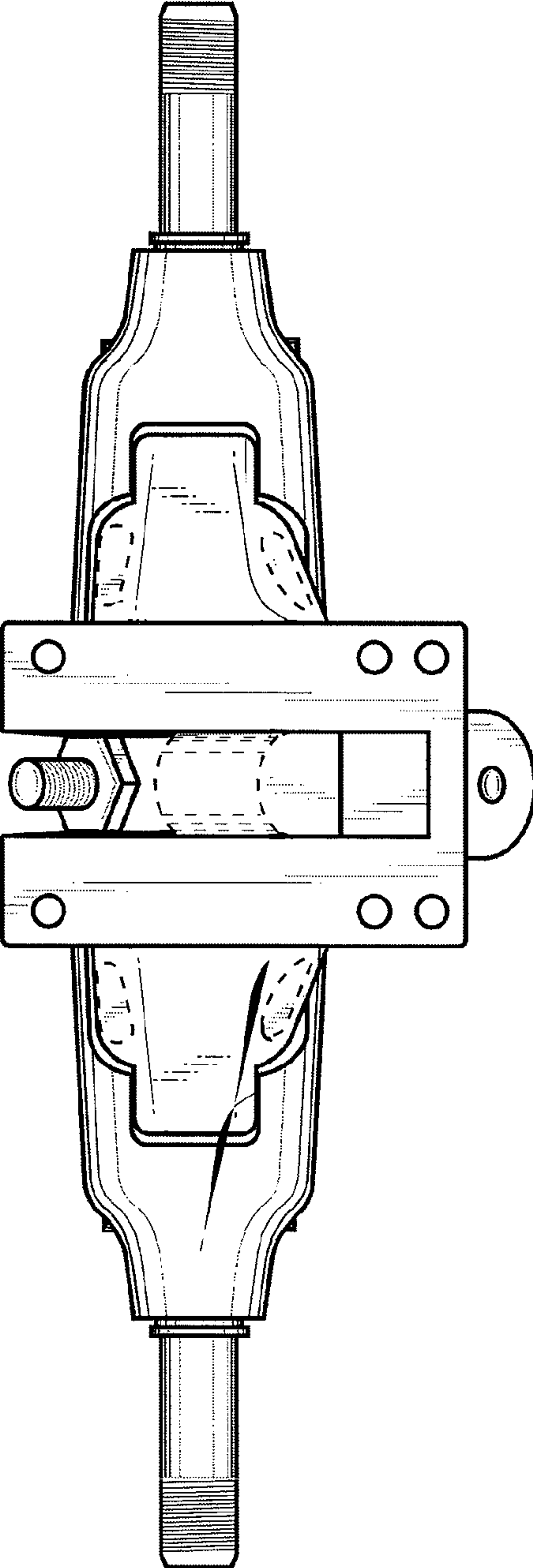


FIGURE 2

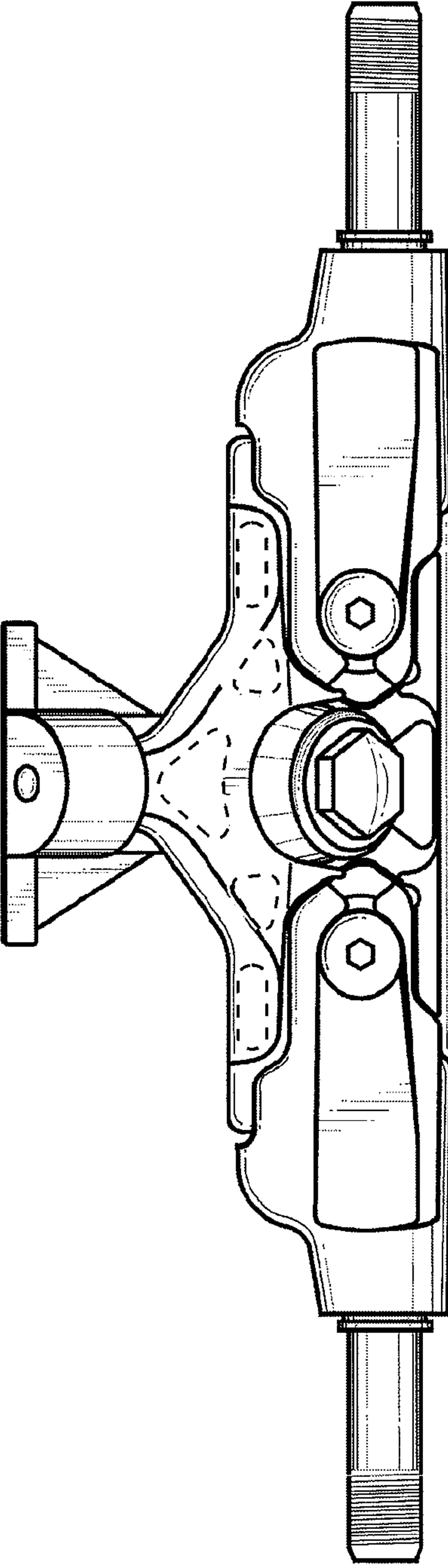


FIGURE 3

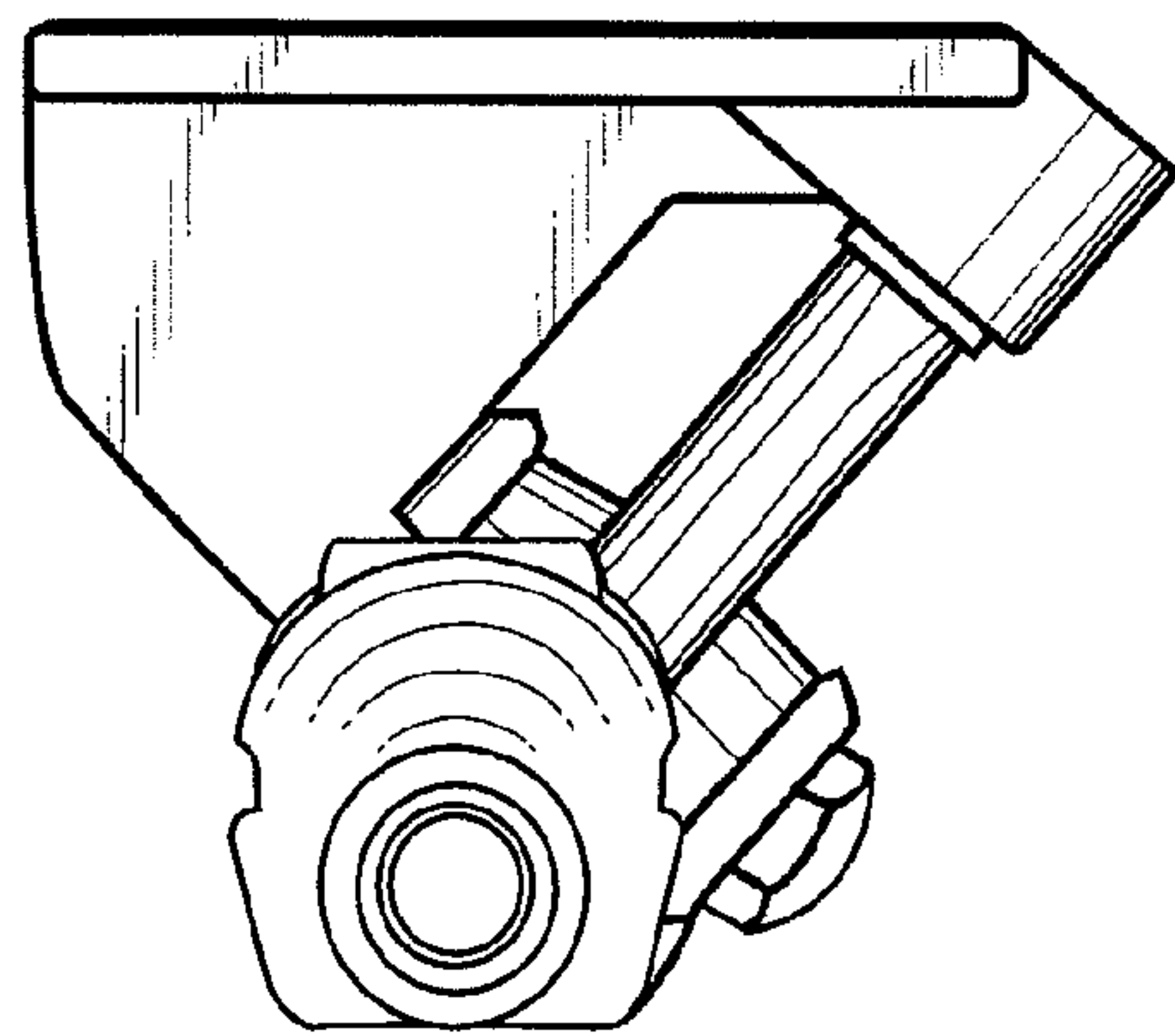


FIGURE 4

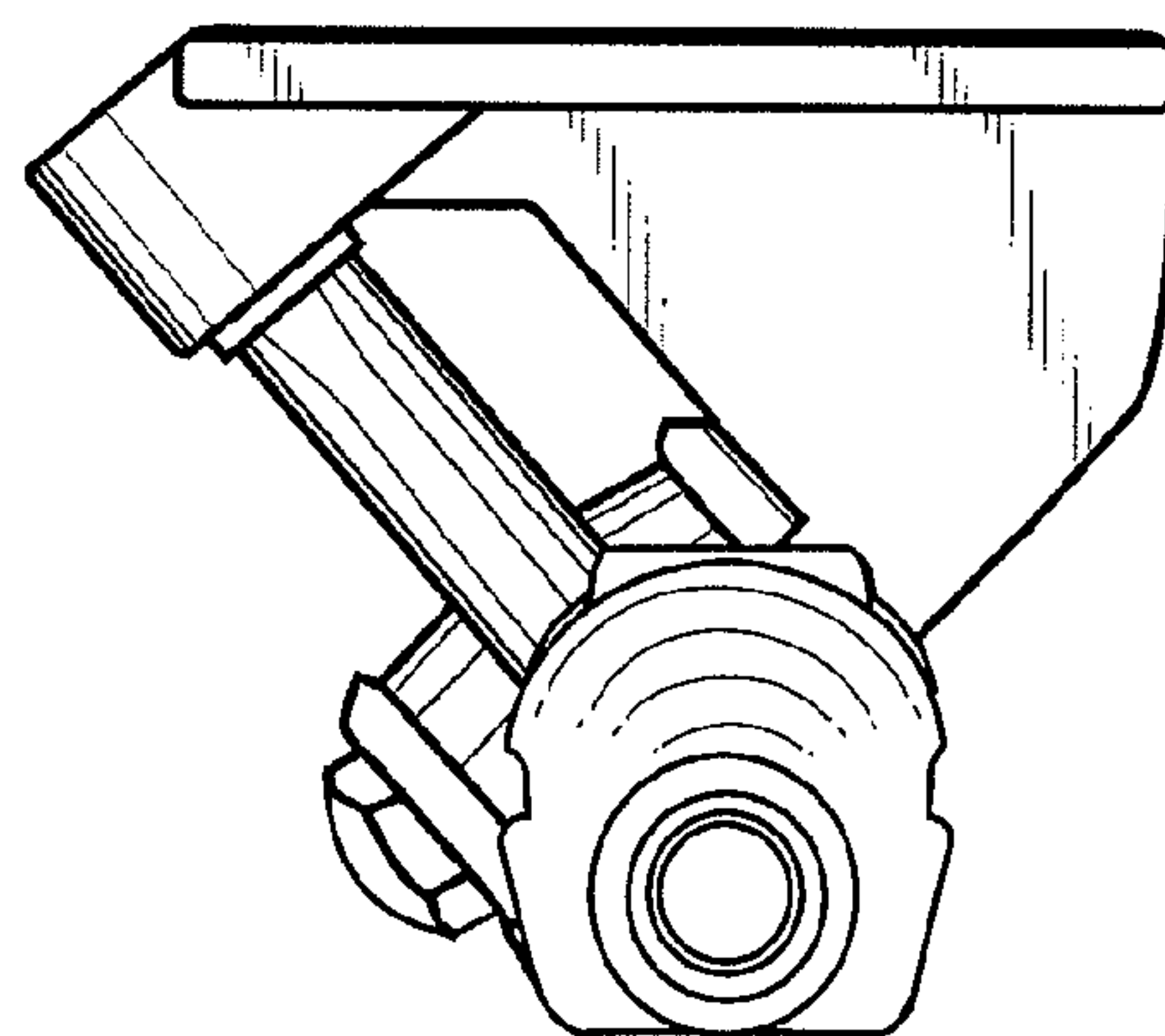


FIGURE 5

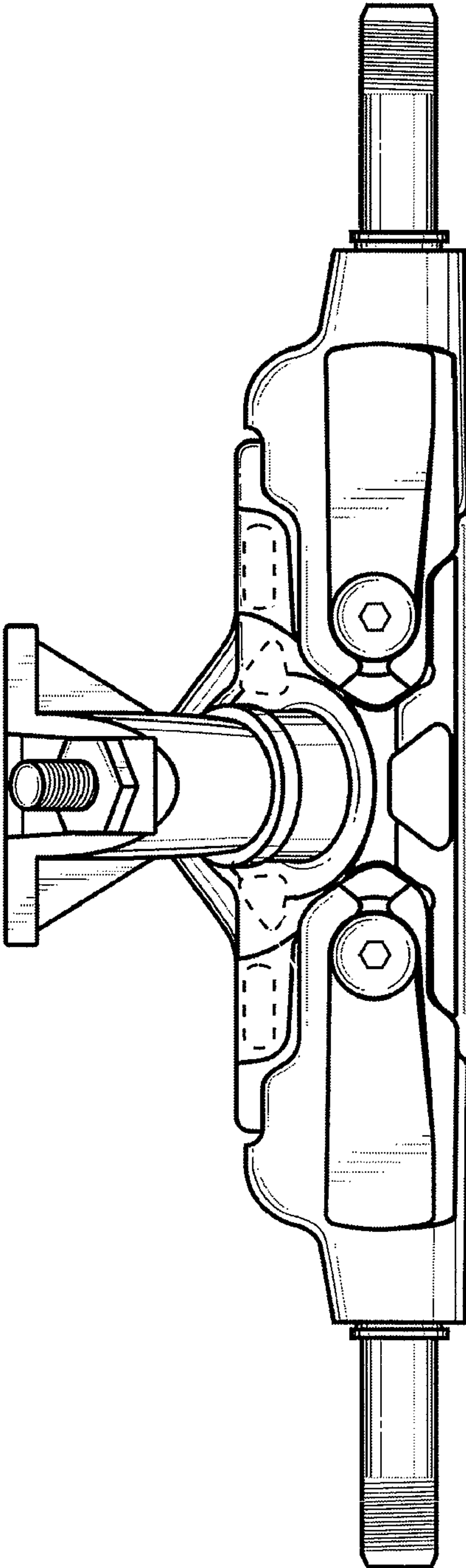


FIGURE 6

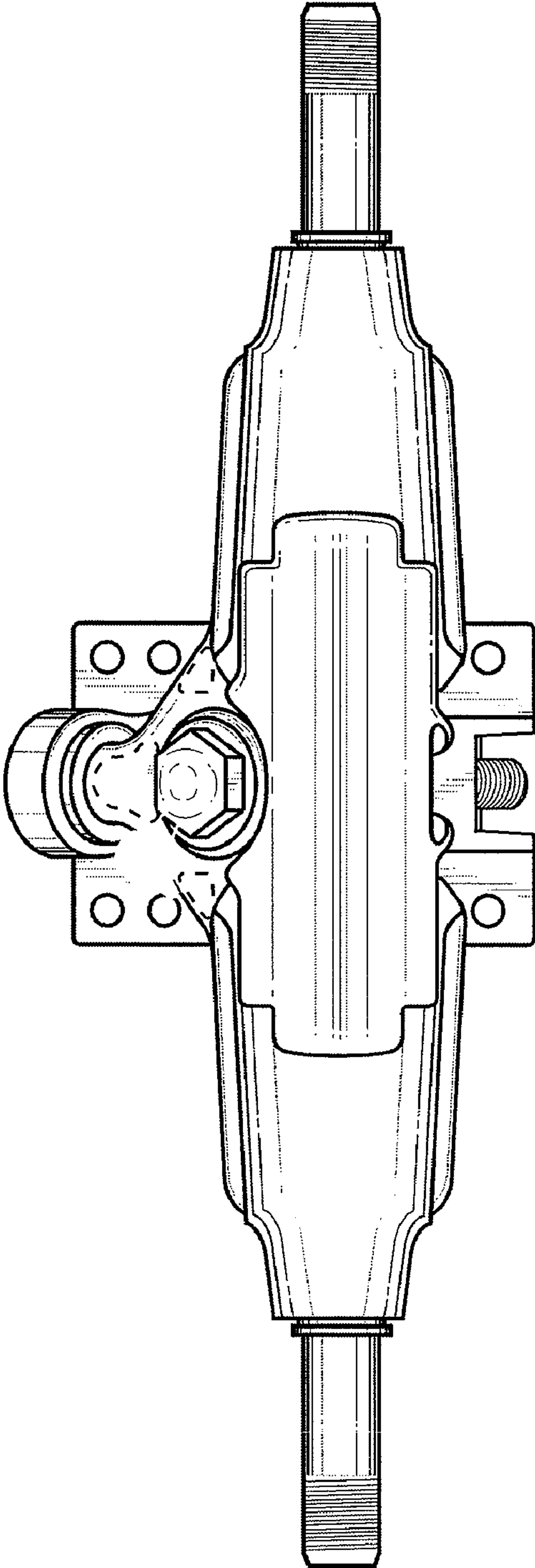


FIGURE 7