



US00D620839S

(12) **United States Design Patent**
Smyth

(10) **Patent No.:** **US D620,839 S**

(45) **Date of Patent:** **** Aug. 3, 2010**

(54) **KNUCKLE FOR RAILWAY CAR COUPLER**

(75) Inventor: **Andrew Smyth**, Hoboken, NJ (US)

(73) Assignee: **Strato, Inc.**, Piscataway, NJ (US)

(**) Term: **14 Years**

(21) Appl. No.: **29/343,889**

(22) Filed: **Sep. 21, 2009**

(51) **LOC (9) Cl.** **12-03**

(52) **U.S. Cl.** **D12/48**

(58) **Field of Classification Search** D12/47,
D12/48, 49, 51; 213/155, 156, 118

See application file for complete search history.

(56) **References Cited**

U.S. PATENT DOCUMENTS

D33,591 S *	11/1900	Meeker	D12/48
D33,750 S *	12/1900	Hien	D12/48
D33,752 S *	12/1900	Hien	D12/48
D33,753 S *	12/1900	Hien	D12/48
D34,972 S *	8/1901	Timms	D12/48
D35,149 S *	10/1901	Timms	D12/48
5,954,212 A *	9/1999	Beatty et al.	213/155
6,129,227 A *	10/2000	Openchowski et al.	213/111

* cited by examiner

Primary Examiner—T. Chase Nelson
Assistant Examiner—Ania K Dworzecka

(74) *Attorney, Agent, or Firm*—Fitzpatrick, Cella, Harper & Scinto

(57) **CLAIM**

The ornamental design for a knuckle for railway car coupler, as shown and described.

DESCRIPTION

FIG. 1 is a perspective view of a knuckle for railway car coupler showing our new design;

FIG. 2 is a front elevation view thereof;

FIG. 3 is a rear elevation view thereof;

FIG. 4 is a left side elevation view thereof;

FIG. 5 is a right side elevation view thereof;

FIG. 6 is a top plan view thereof, with the broken line environmental subject matter shown in FIG. 1 removed; and,

FIG. 7 is a bottom plan view thereof.

The features shown in dotted outline form no part of the invention.

In the drawings, the broken lines shown in the Figures depict environmental subject matter only and form no part of the claimed design.

1 Claim, 4 Drawing Sheets

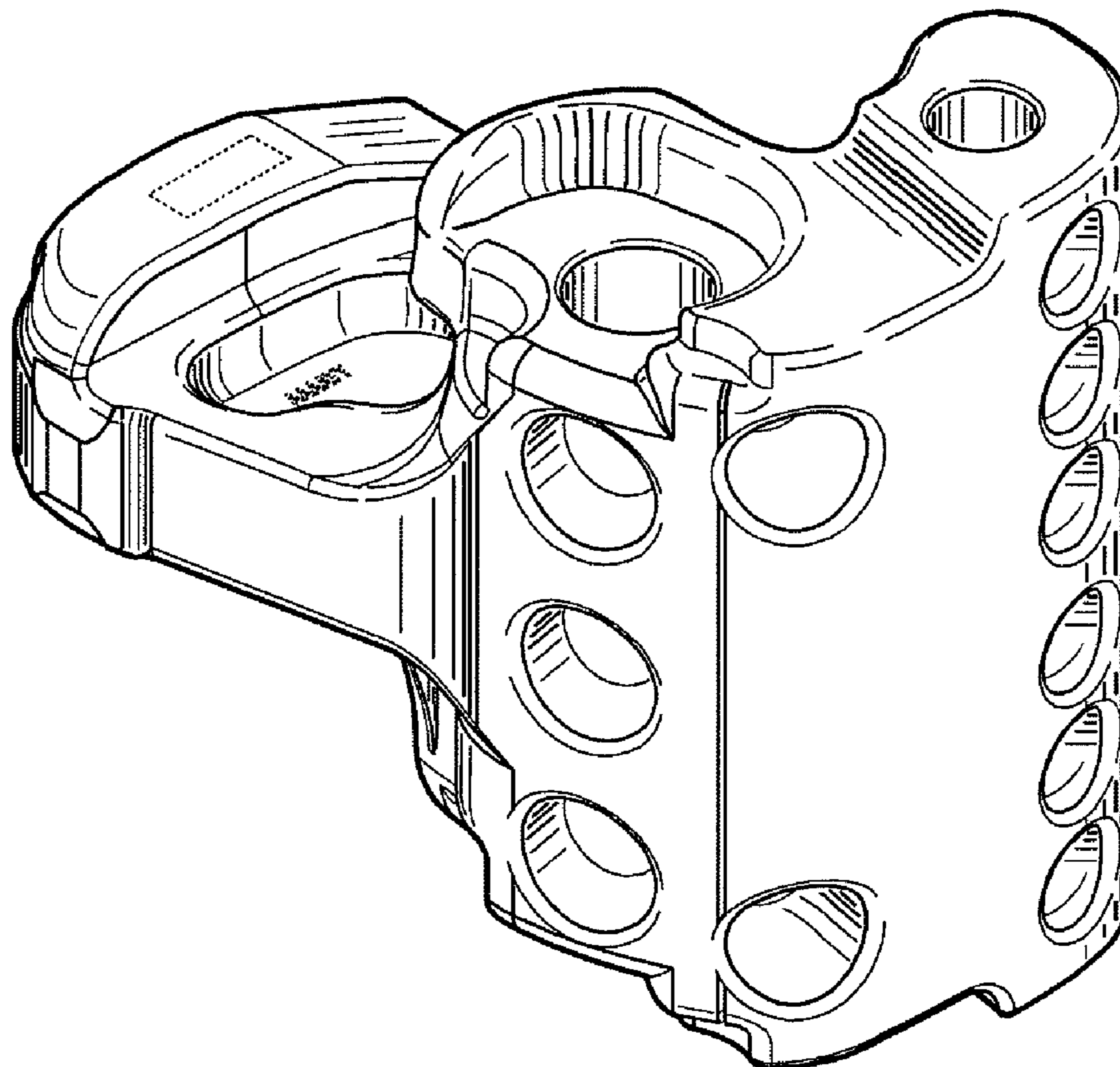


FIG. 1

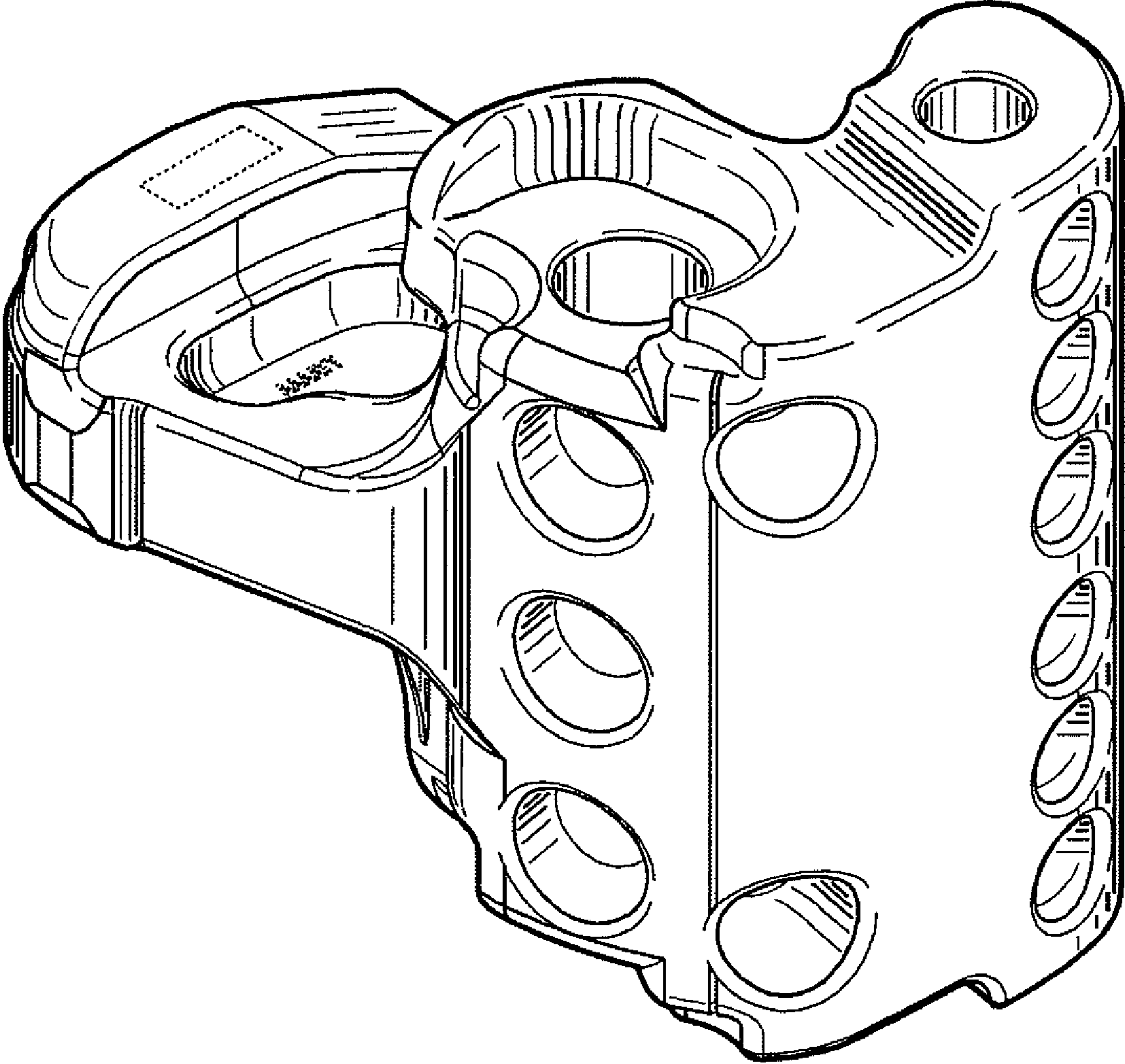


FIG. 3

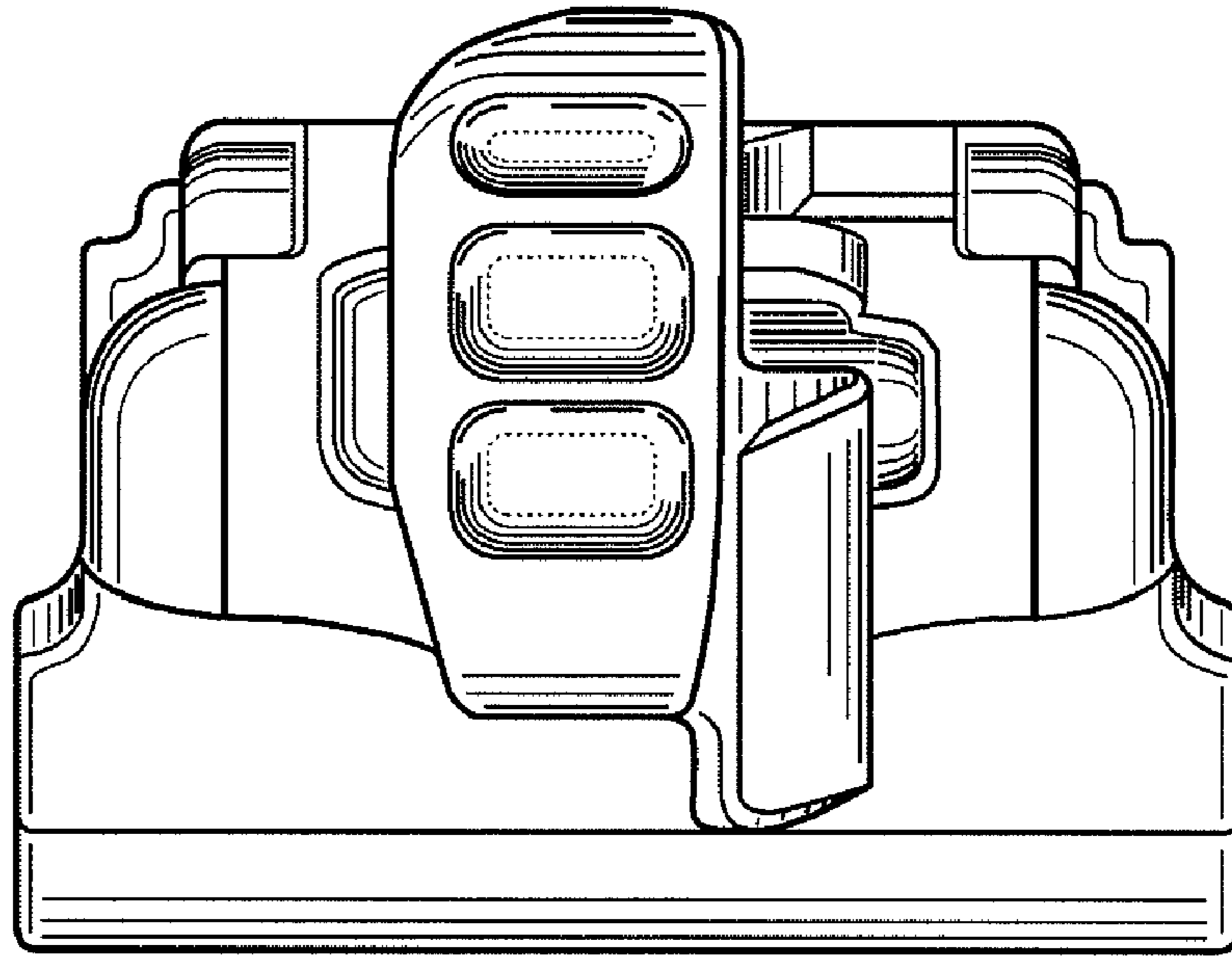


FIG. 2

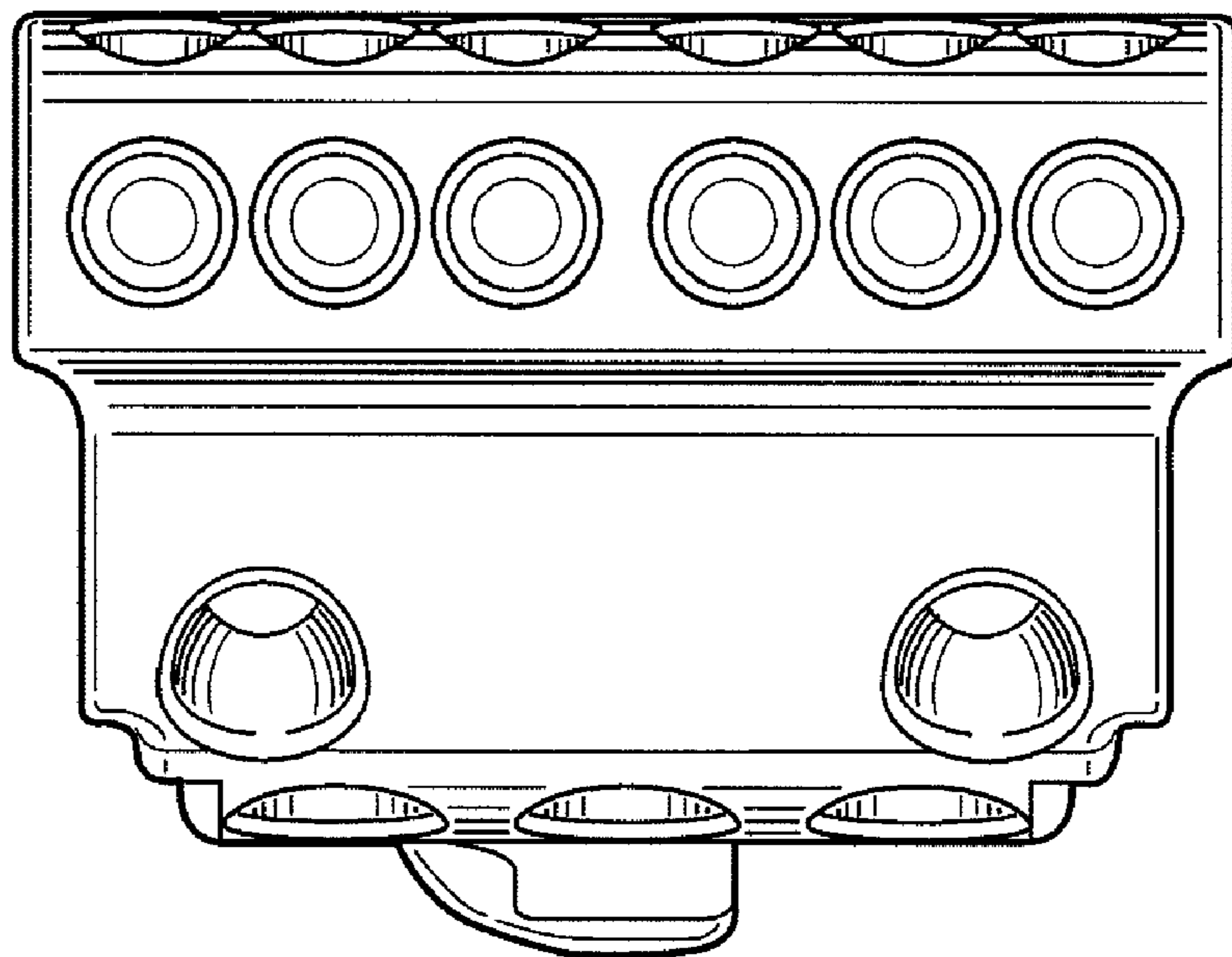


FIG. 5

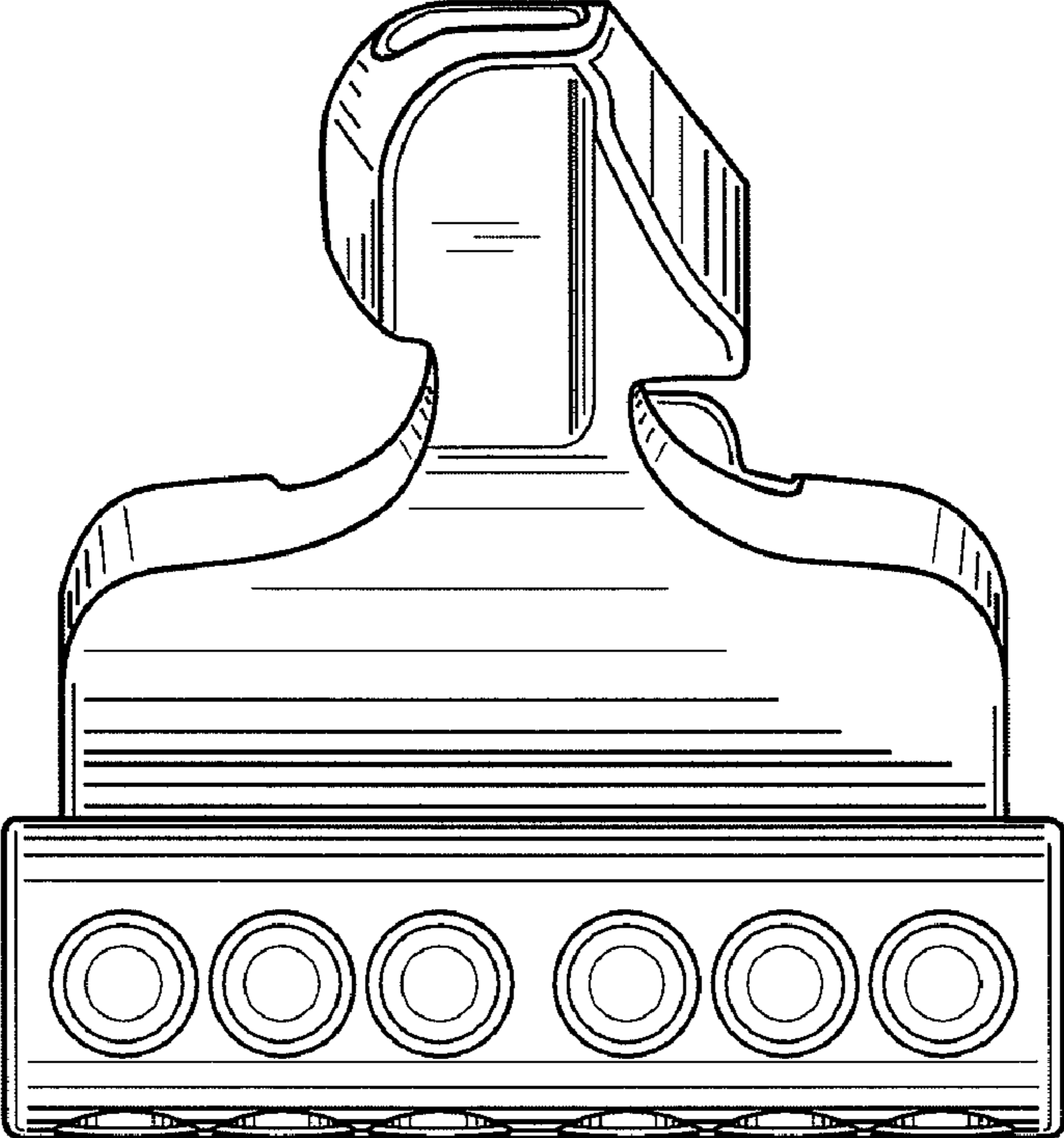


FIG. 4

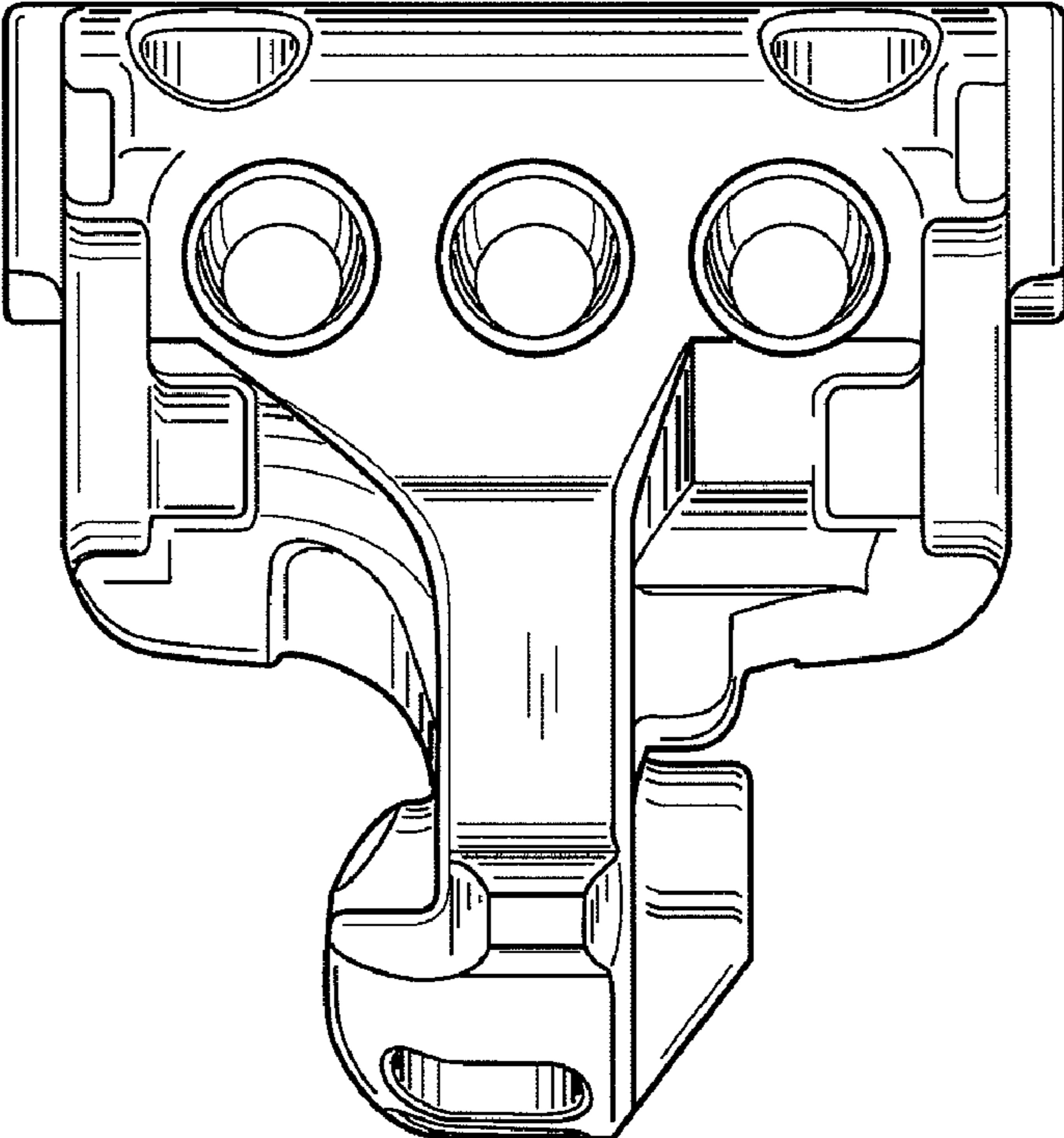


FIG. 6

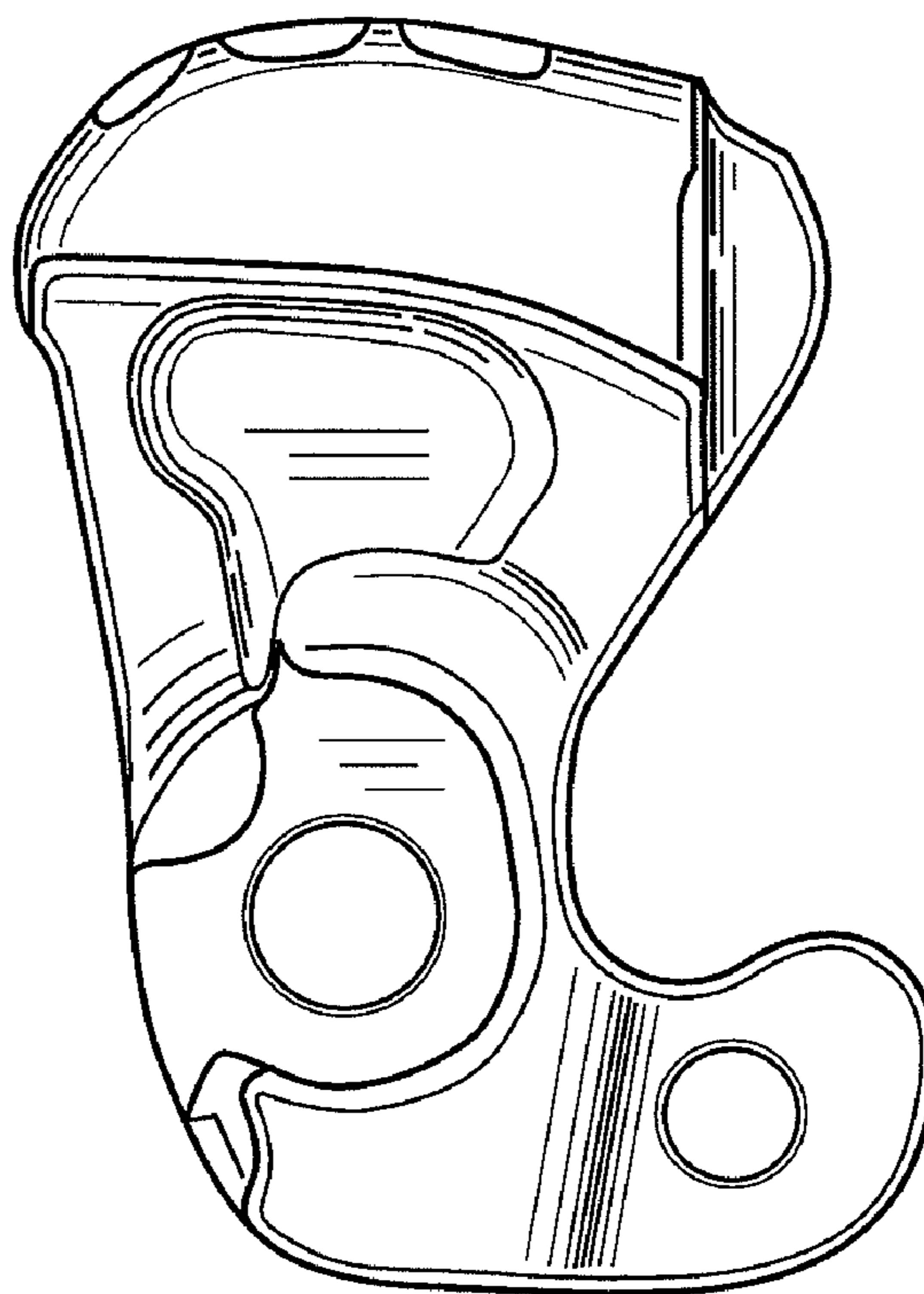


FIG. 7

