



US00D620838S

(12) **United States Design Patent**
Miralles et al.

(10) **Patent No.:** **US D620,838 S**

(45) **Date of Patent:** **** Aug. 3, 2010**

(54) **AMPHIBIOUS SPORT AIRCRAFT**

(75) Inventors: **Diego Miralles**, Altadena, CA (US);
Kirk Hawkins, Redondo Beach, CA
(US)

(73) Assignee: **ICON Aircraft, Inc.**, Los Angeles, CA
(US)

(**) Term: **14 Years**

(21) Appl. No.: **29/319,639**

(22) Filed: **Jun. 11, 2008**

(51) **LOC (9) Cl.** **12-14**

(52) **U.S. Cl.** **D12/3; D12/4**

(58) **Field of Classification Search** D12/319-345,
D12/1, 2, 3, 4; 244/45 R, 23 R, 101, 106
See application file for complete search history.

(56) **References Cited**

U.S. PATENT DOCUMENTS

D178,288 S *	7/1956	Horkey	D12/337
D180,297 S *	5/1957	Schmued et al.	D12/343
D198,346 S *	6/1964	Ahrens	D12/335
D274,510 S *	7/1984	McComas et al.	D12/338
D298,026 S *	10/1988	Judge	D12/343
D325,021 S *	3/1992	Mouton, Jr.	D12/324
D348,245 S *	6/1994	Blum	D12/332

D354,936 S *	1/1995	Kraft et al.	D12/344
D392,937 S *	3/1998	Brichard et al.	D12/324
6,113,028 A *	9/2000	Lohse et al.	244/13
D431,522 S *	10/2000	Fujino	D12/341
6,592,073 B1 *	7/2003	Meekins	244/105
6,997,413 B2 *	2/2006	Wukowitz	244/106
7,513,224 B2 *	4/2009	Heaton	123/51 R

* cited by examiner

Primary Examiner—T. Chase Nelson

Assistant Examiner—Ania K Dworzecka

(74) *Attorney, Agent, or Firm*—Michael C. Martensen

(57) **CLAIM**

The ornamental design for the amphibious sport aircraft, as shown and described.

DESCRIPTION

FIG. 1 is a front perspective view of an amphibious sport aircraft showing our new design;

FIG. 2 is a front elevation view;

FIG. 3 is a rear elevation view;

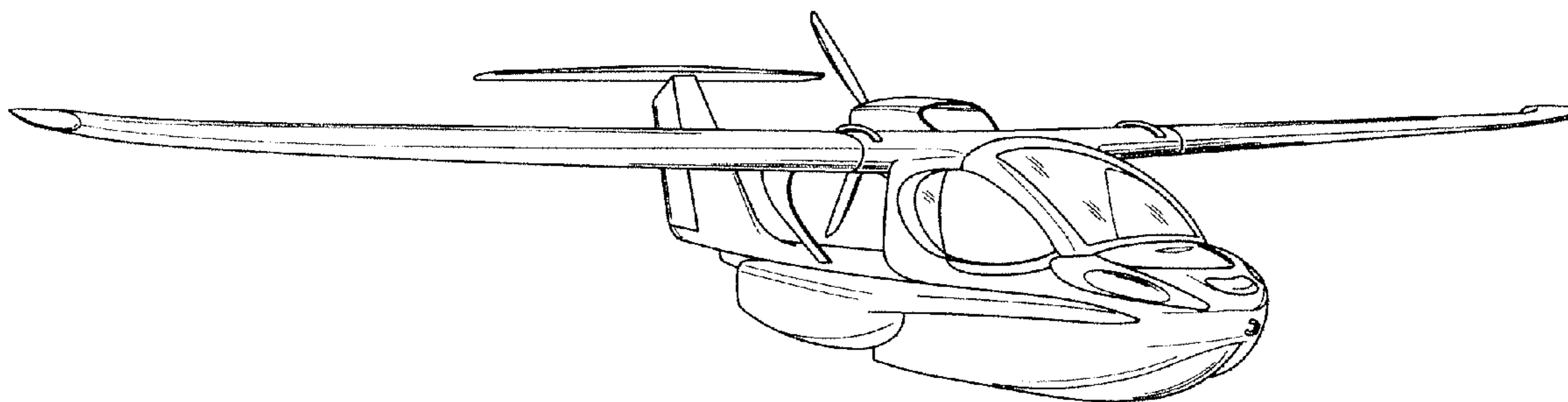
FIG. 4 is a right side elevation view;

FIG. 5 is a left side elevation view;

FIG. 6 is a top plan view; and,

FIG. 7 is a bottom plan view.

1 Claim, 5 Drawing Sheets



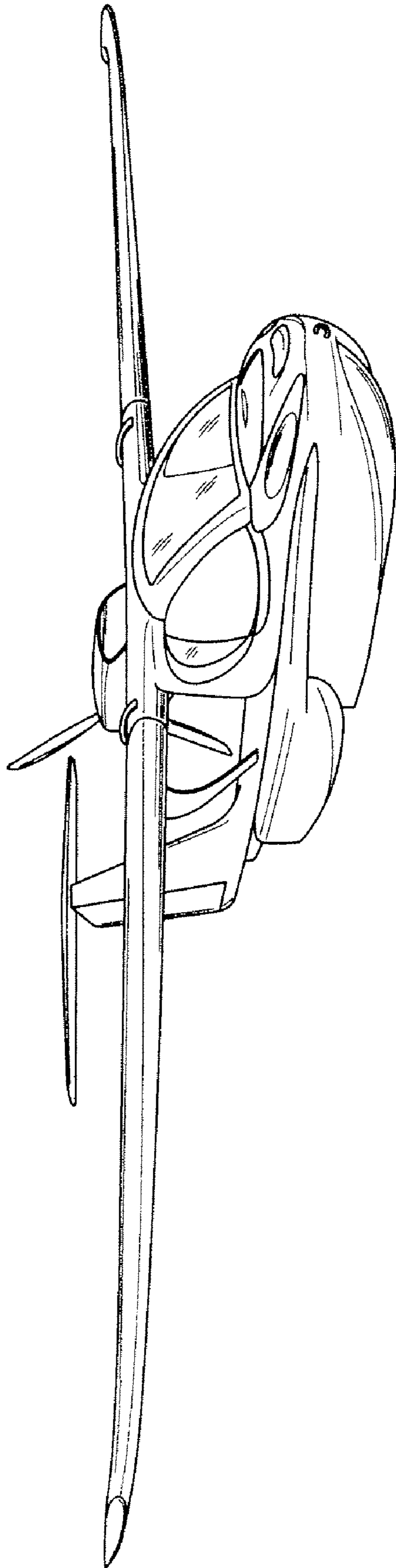


FIG.1

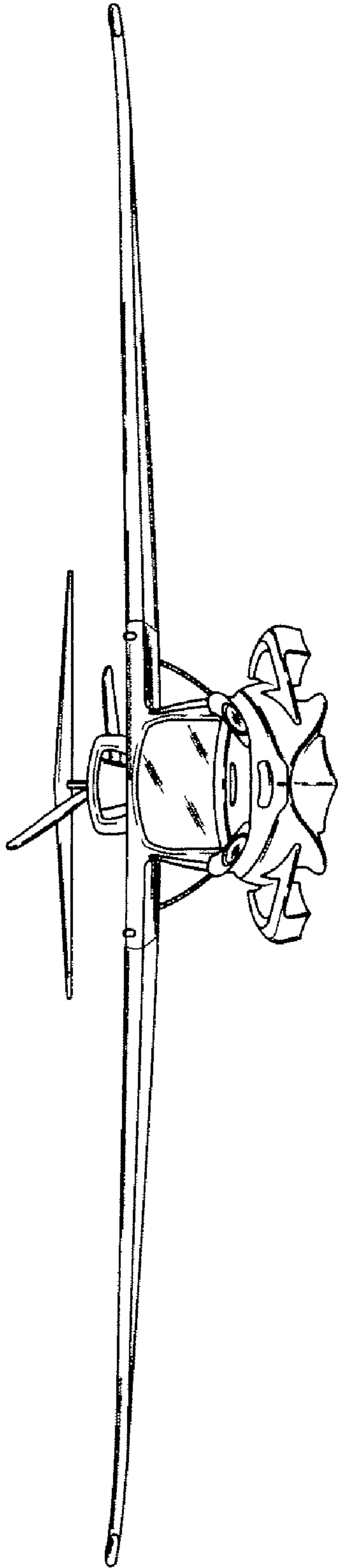


FIG. 2

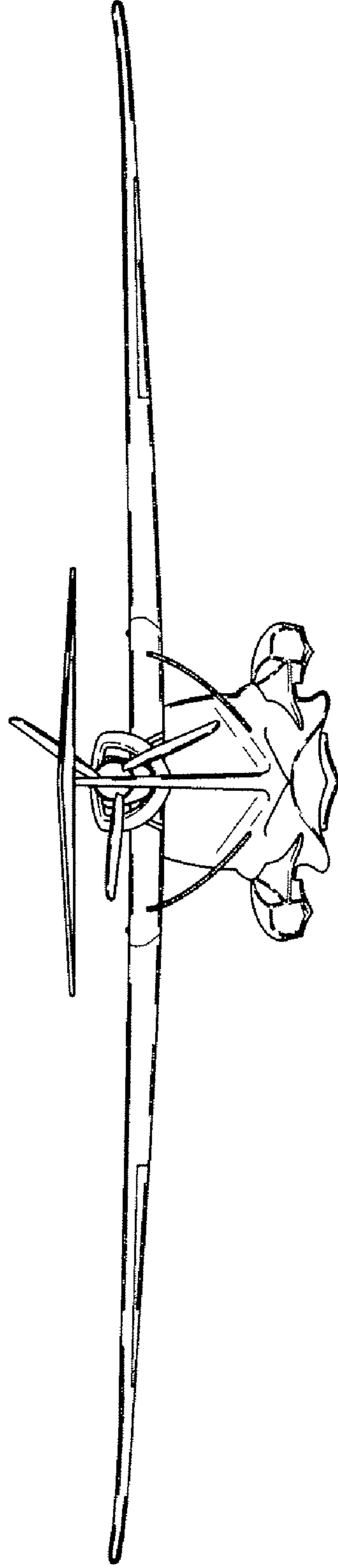


FIG. 3

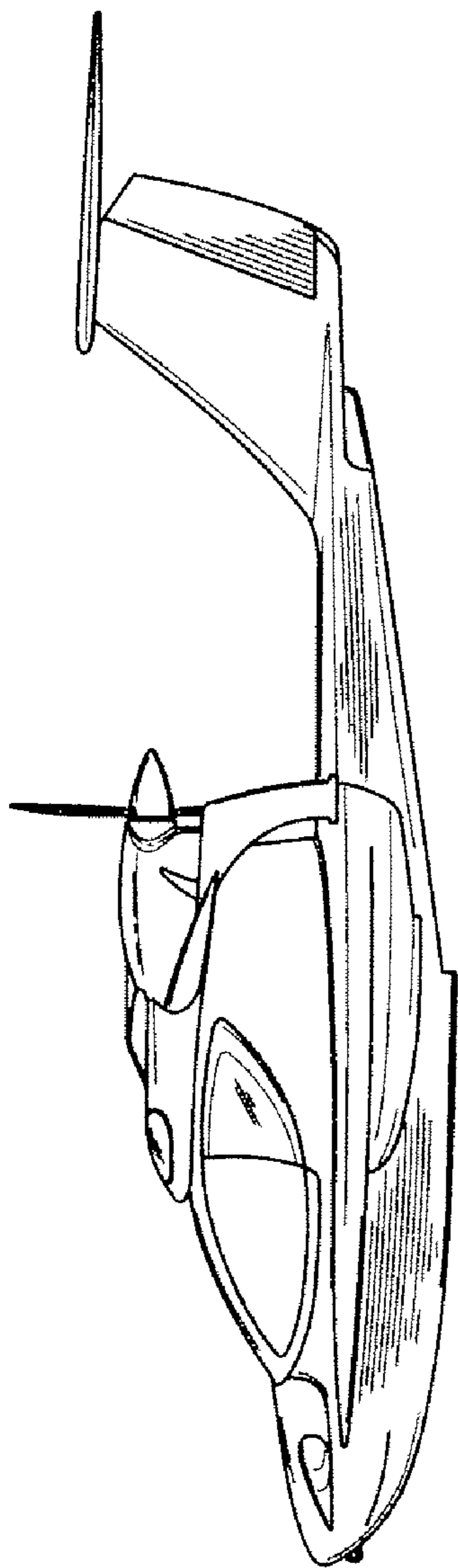


FIG. 4

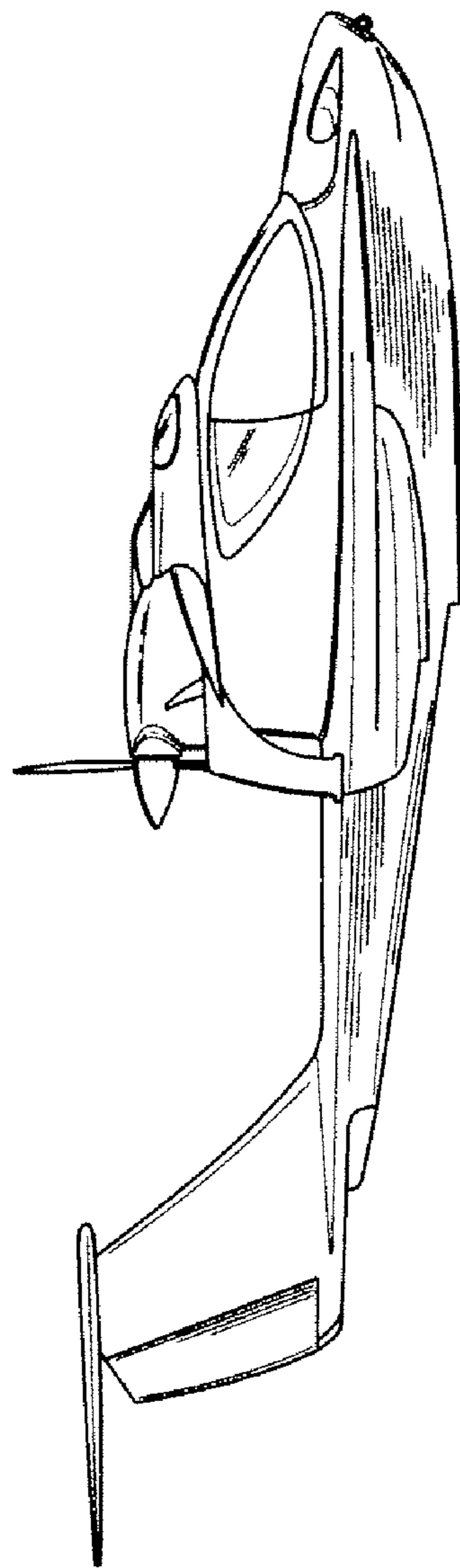


FIG. 5

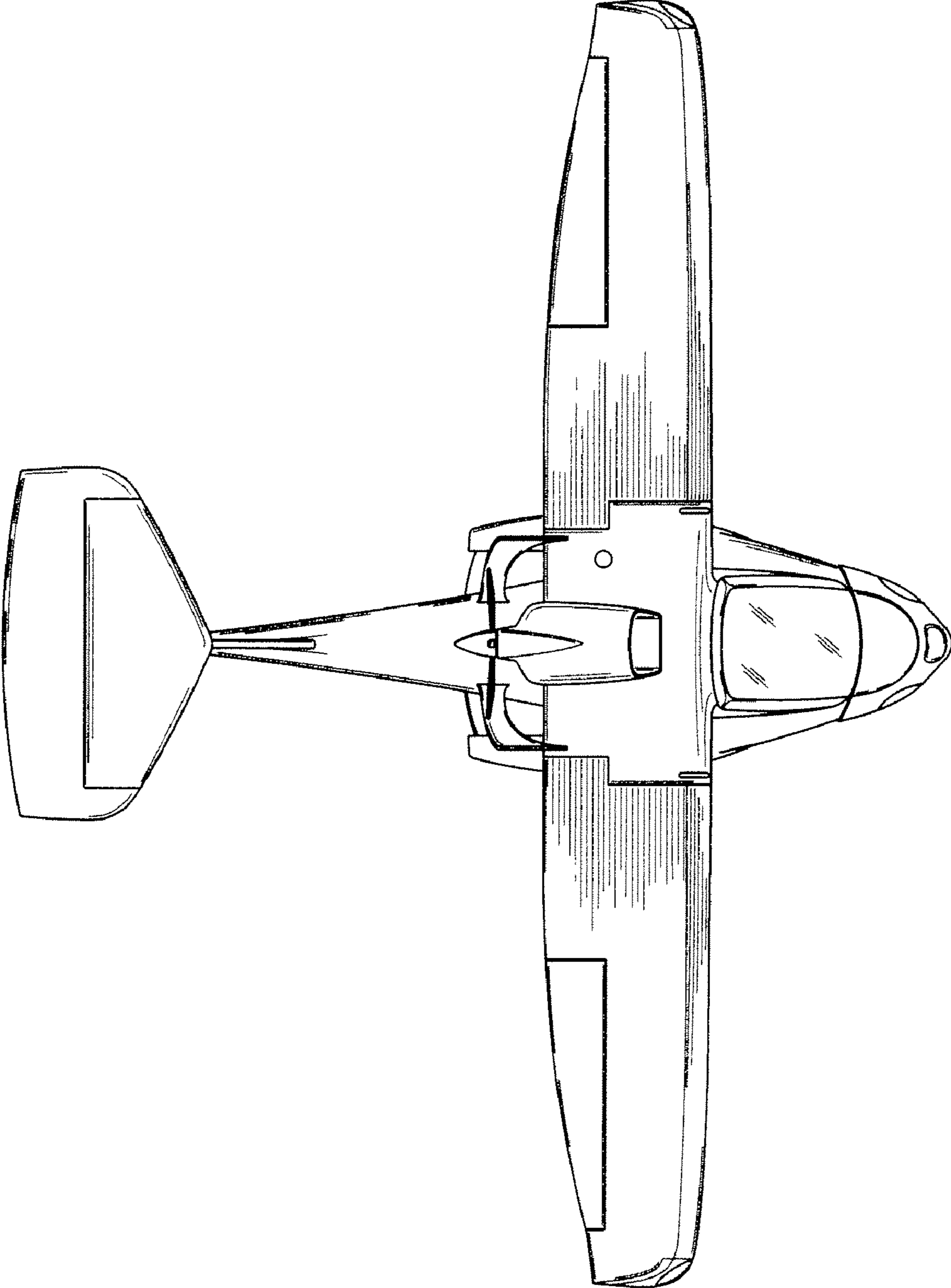


FIG.6

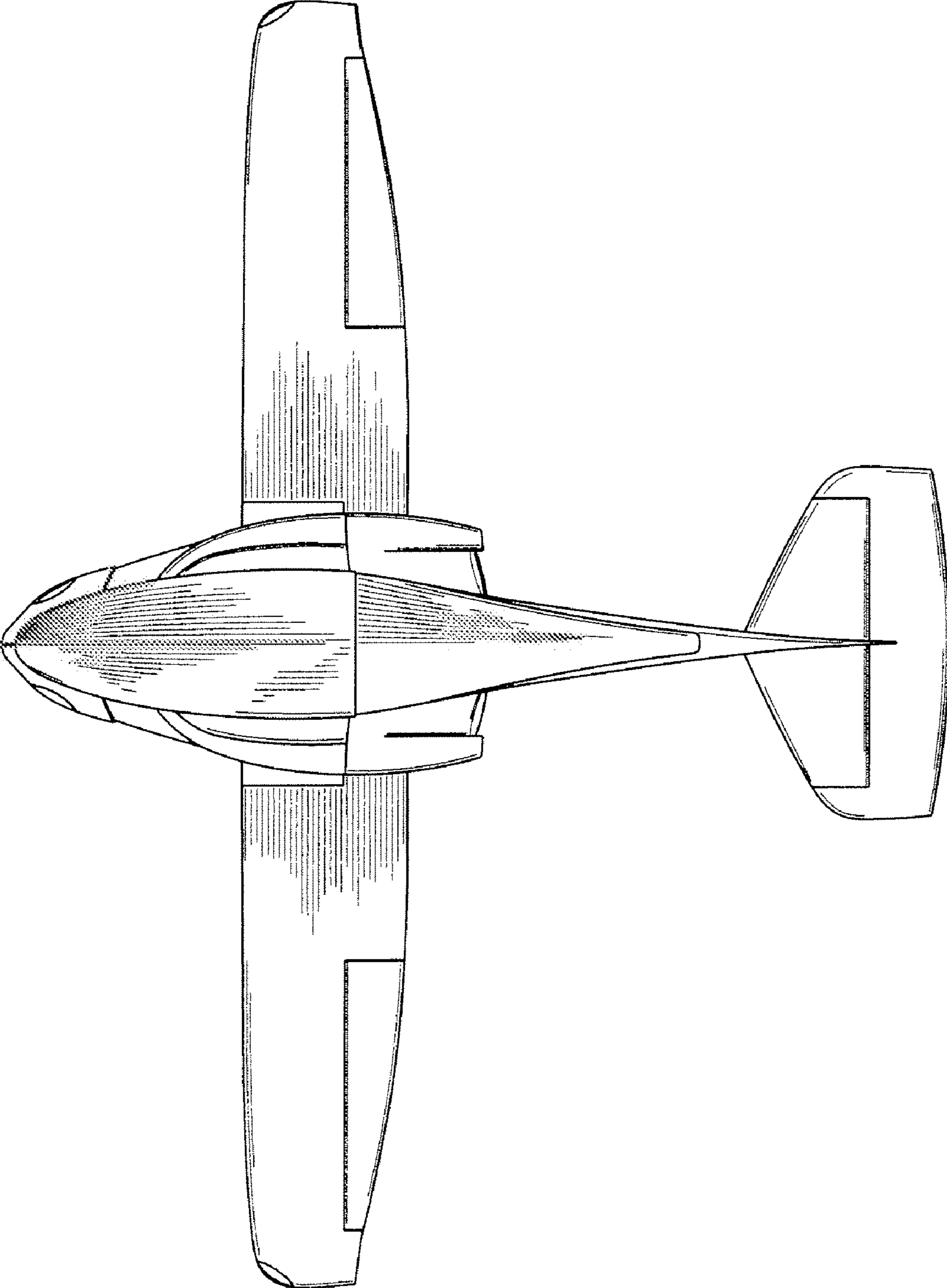


FIG.7