



US00D620837S

(12) **United States Design Patent**
Schiebl

(10) **Patent No.:** **US D620,837 S**

(45) **Date of Patent:** **** Aug. 3, 2010**

(54) **STRAP BUCKLE ASSEMBLY**

7,475,453 B2 * 1/2009 Drake et al. 24/324
D608,688 S * 1/2010 Dalzell et al. D11/218

(76) Inventor: **Paul Schiebl**, 10200 Hempstead Hwy.,
Suite 2J, Houston, TX (US) 77092

* cited by examiner

(**) Term: **14 Years**

Primary Examiner—Ralf Seifert

(74) *Attorney, Agent, or Firm*—Egbert Law Offices PLLC

(21) Appl. No.: **29/338,273**

(57) **CLAIM**

(22) Filed: **Jun. 8, 2009**

The ornamental design for a strap buckle assembly, as shown and described.

(51) **LOC (9) Cl.** **02-07**

(52) **U.S. Cl.** **D11/218**

(58) **Field of Classification Search** D11/1–2,
D11/200–201, 203–206, 210, 212, 214–219,
D11/222, 224, 226; 24/163 R, 169–171,
24/173, 177–179, 191, 194–195, 197, 200,
24/324, 453

DESCRIPTION

FIG. 1 is a top plan view of the strap buckle assembly showing my design.

FIG. 2 is a side elevation view thereof, an opposite side view being identical;

FIG. 3 is an upper perspective view thereof; and,

FIG. 4 is another upper perspective view thereof, showing an extended position of the strap.

See application file for complete search history.

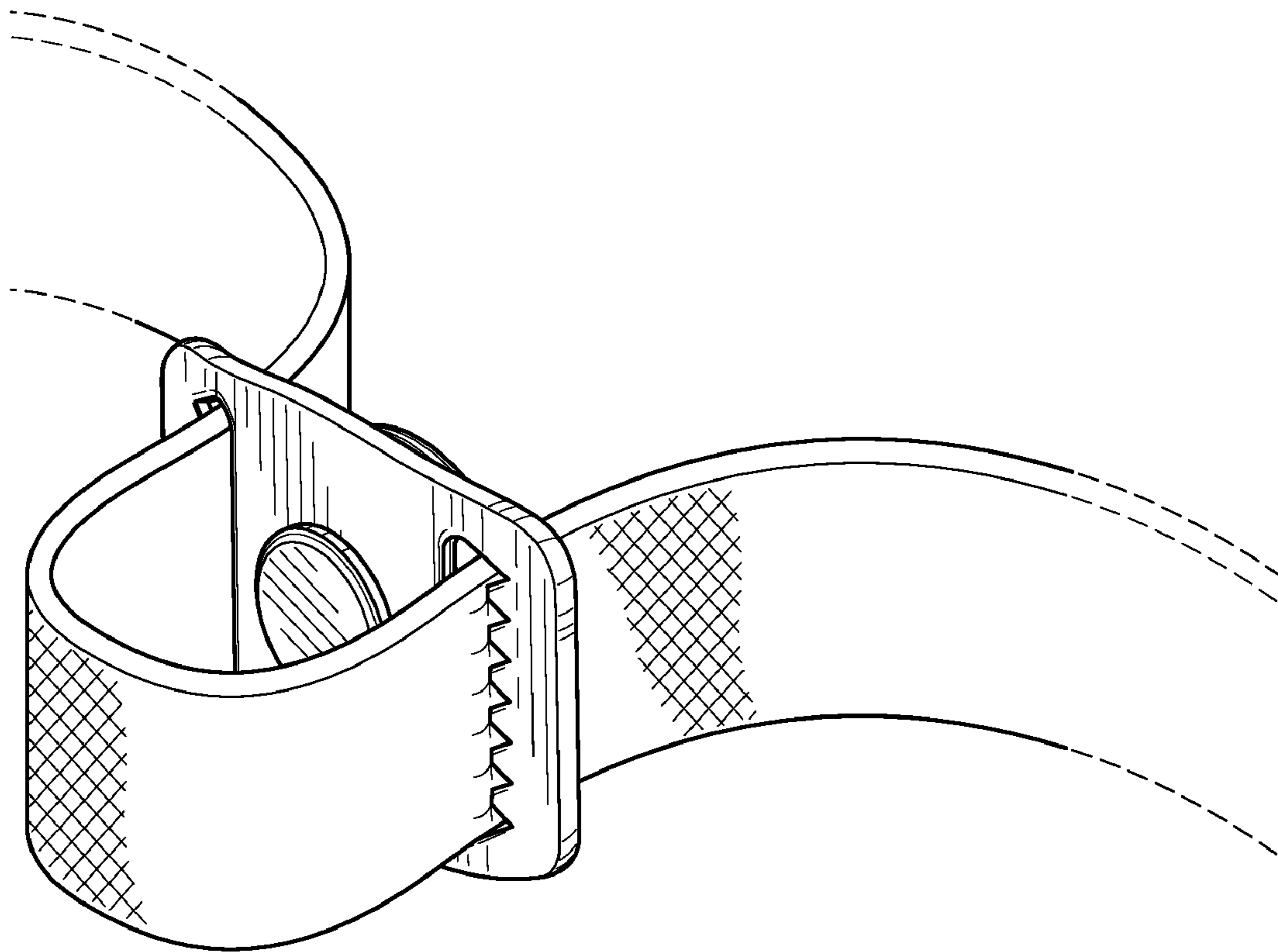
The broken lines are presented for illustrative purposes to indicate continuing length of the strap of the design.

(56) **References Cited**

U.S. PATENT DOCUMENTS

1,712,976 A * 5/1929 Blair 24/324
3,237,257 A * 3/1966 Forsberg 24/324
5,259,096 A * 11/1993 Grant 24/324

1 Claim, 2 Drawing Sheets



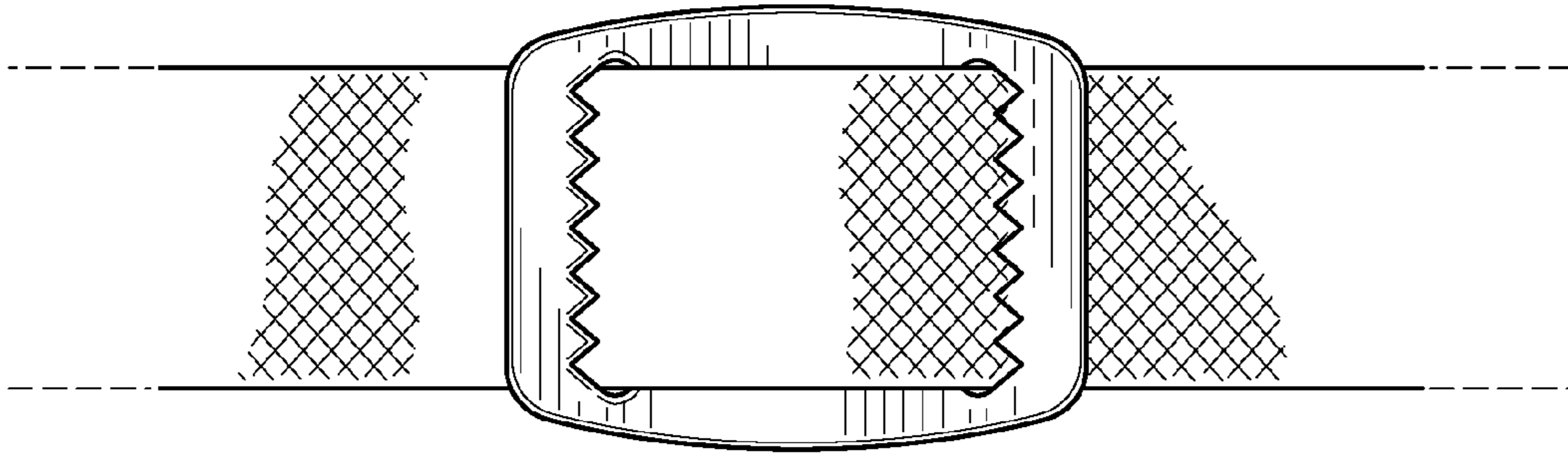


FIG. 1

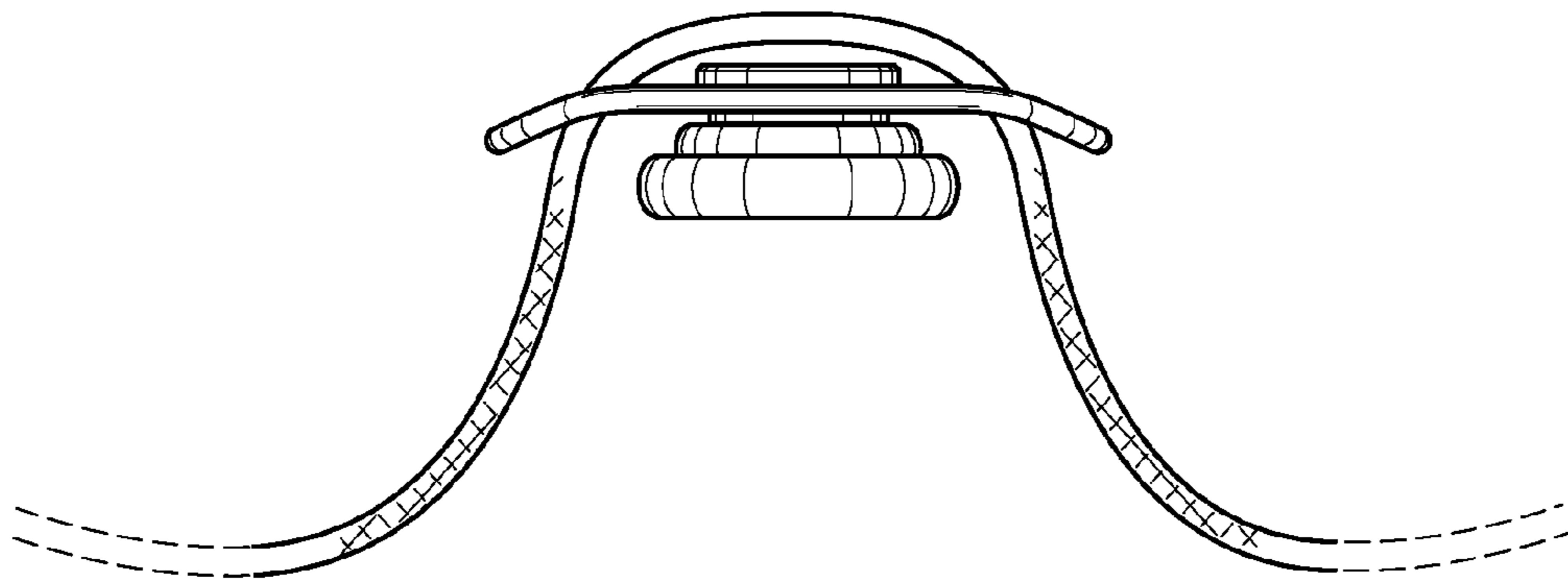


FIG. 2

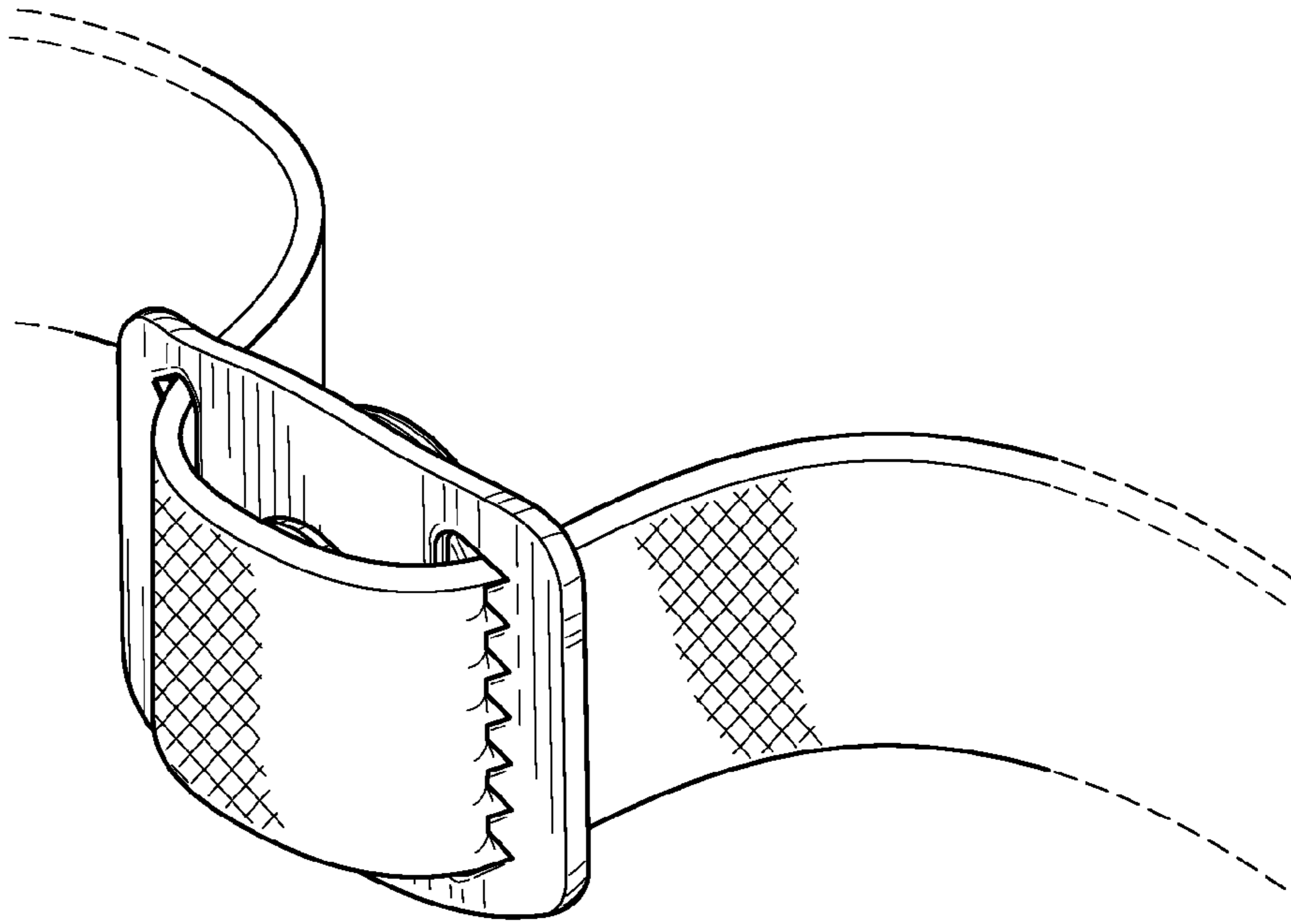


FIG. 3

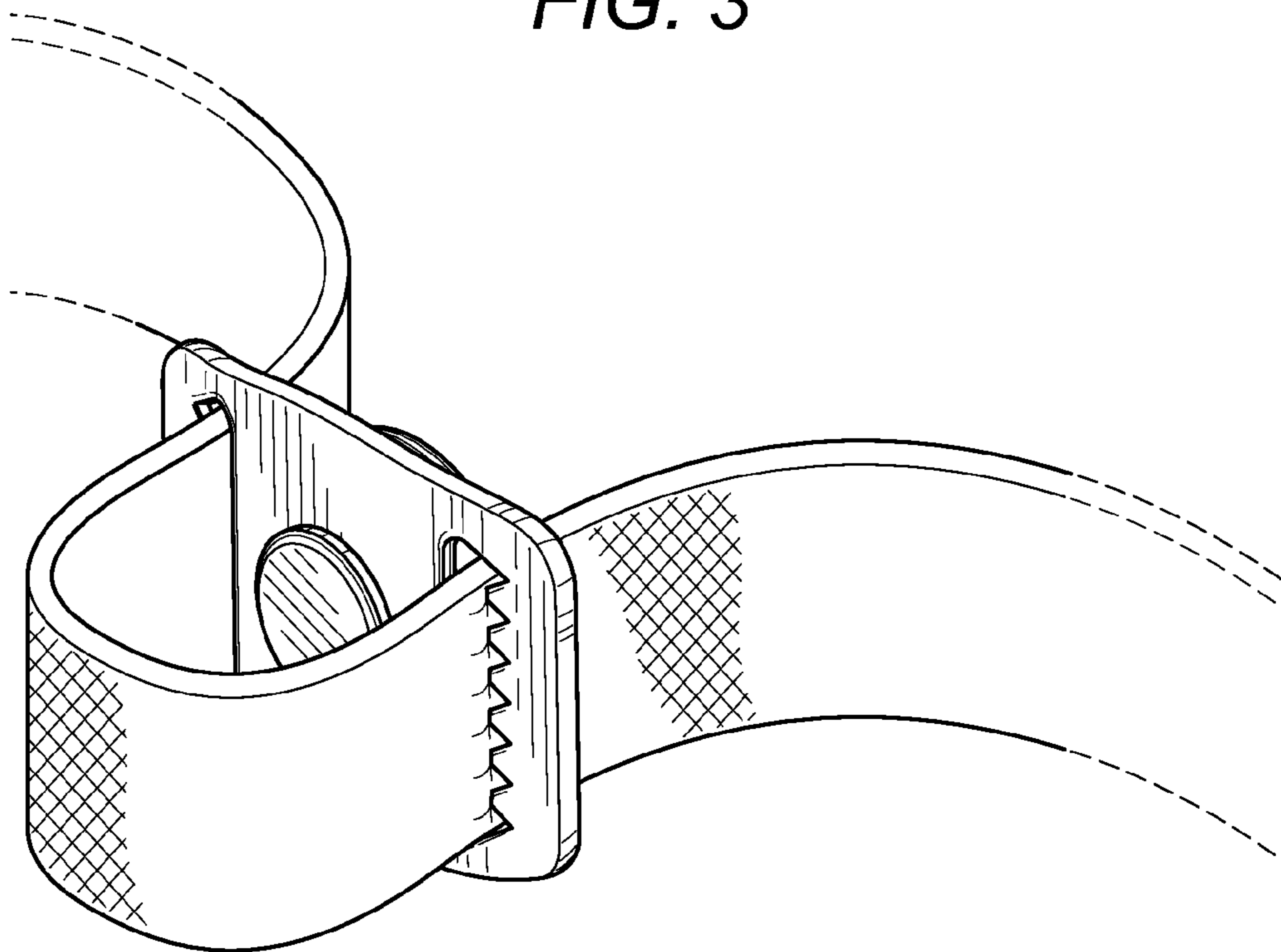


FIG. 4