



US00D620824S

(12) **United States Design Patent**
Hannah et al.

(10) **Patent No.:** **US D620,824 S**

(45) **Date of Patent:** **** *Aug. 3, 2010**

(54) **PLATFORM BARRIER FOR VISUALLY
IMPAIRED PEDESTRIANS**

(75) Inventors: **Gregory L. Hannah**, San Antonio, TX
(US); **Jeff Applegate**, Houston, TX (US)

(73) Assignee: **Impact Recovery System, Inc.**, San
Antonio, TX (US)

(*) Notice: This patent is subject to a terminal dis-
claimer.

(**) Term: **14 Years**

(21) Appl. No.: **29/345,119**

(22) Filed: **Oct. 9, 2009**

(51) **LOC (9) Cl.** **10-05**

(52) **U.S. Cl.** **D10/113**

(58) **Field of Classification Search** D10/113;
116/200, 63 C, 63 P; 404/9, 10
See application file for complete search history.

(56) **References Cited**

U.S. PATENT DOCUMENTS

- 3,792,679 A * 2/1974 Duckett et al. 116/63 P
- 4,515,499 A * 5/1985 Furiate 404/6
- 5,527,127 A * 6/1996 Junker 404/6

- 5,670,954 A * 9/1997 Junker 340/908.1
- 6,454,488 B1 * 9/2002 Lewis et al. 404/6
- 7,325,999 B1 * 2/2008 Schindler et al. 404/10
- 2005/0036833 A1 * 2/2005 Hotchkin 404/10

* cited by examiner

Primary Examiner—Caron Veynar

Assistant Examiner—George D Kirschbaum

(74) *Attorney, Agent, or Firm*—Jackson Walker, LLP

(57) **CLAIM**

The ornamental design of platform barrier for visually
impaired pedestrians, as shown and described.

DESCRIPTION

FIG. 1 is a top, front, left-side perspective view of the four
vertical post elevated platform, level boarding barrier with
four vertical posts showing my design;

FIG. 2 is a top plan view thereof;

FIG. 3 is a front elevation view thereof;

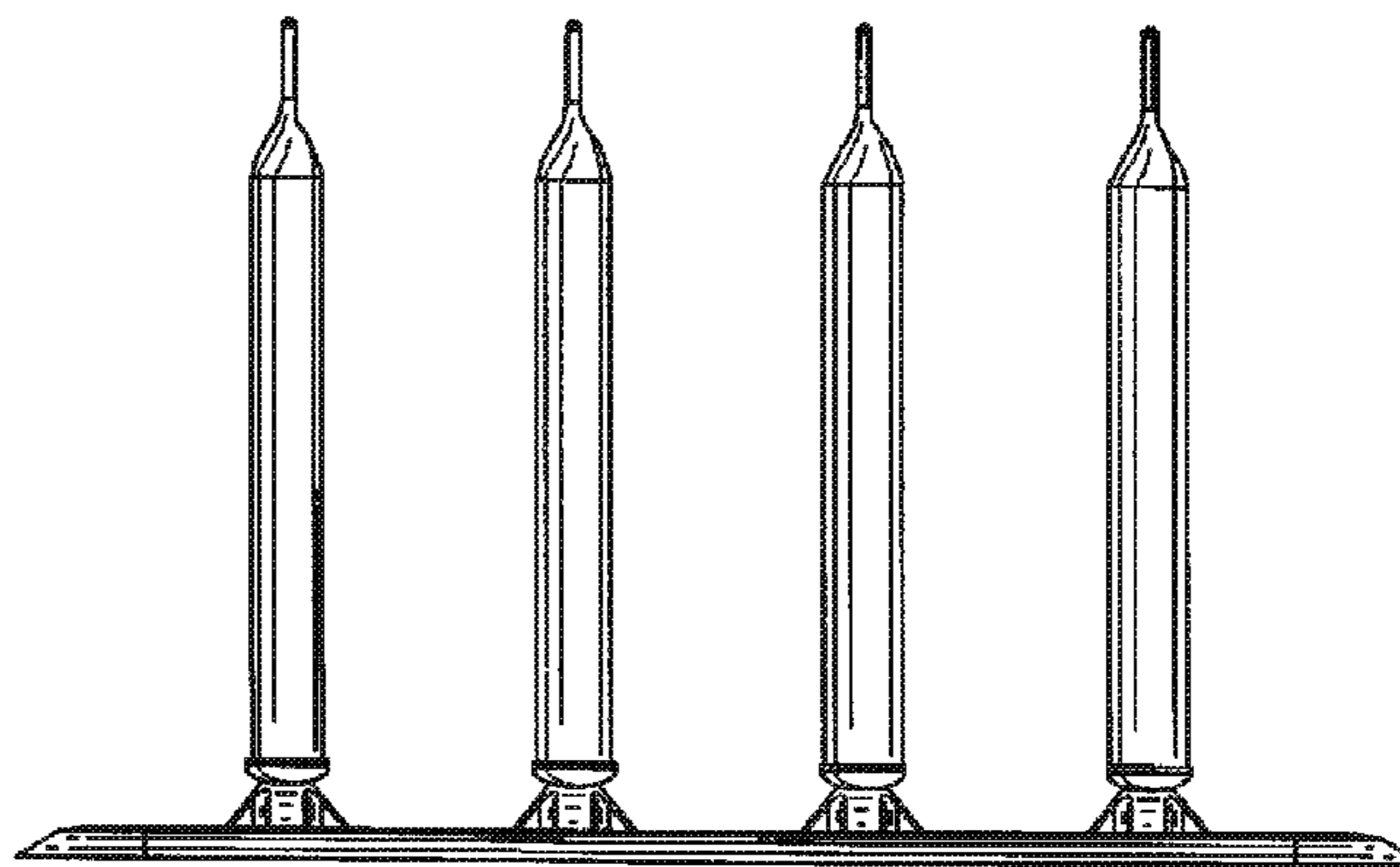
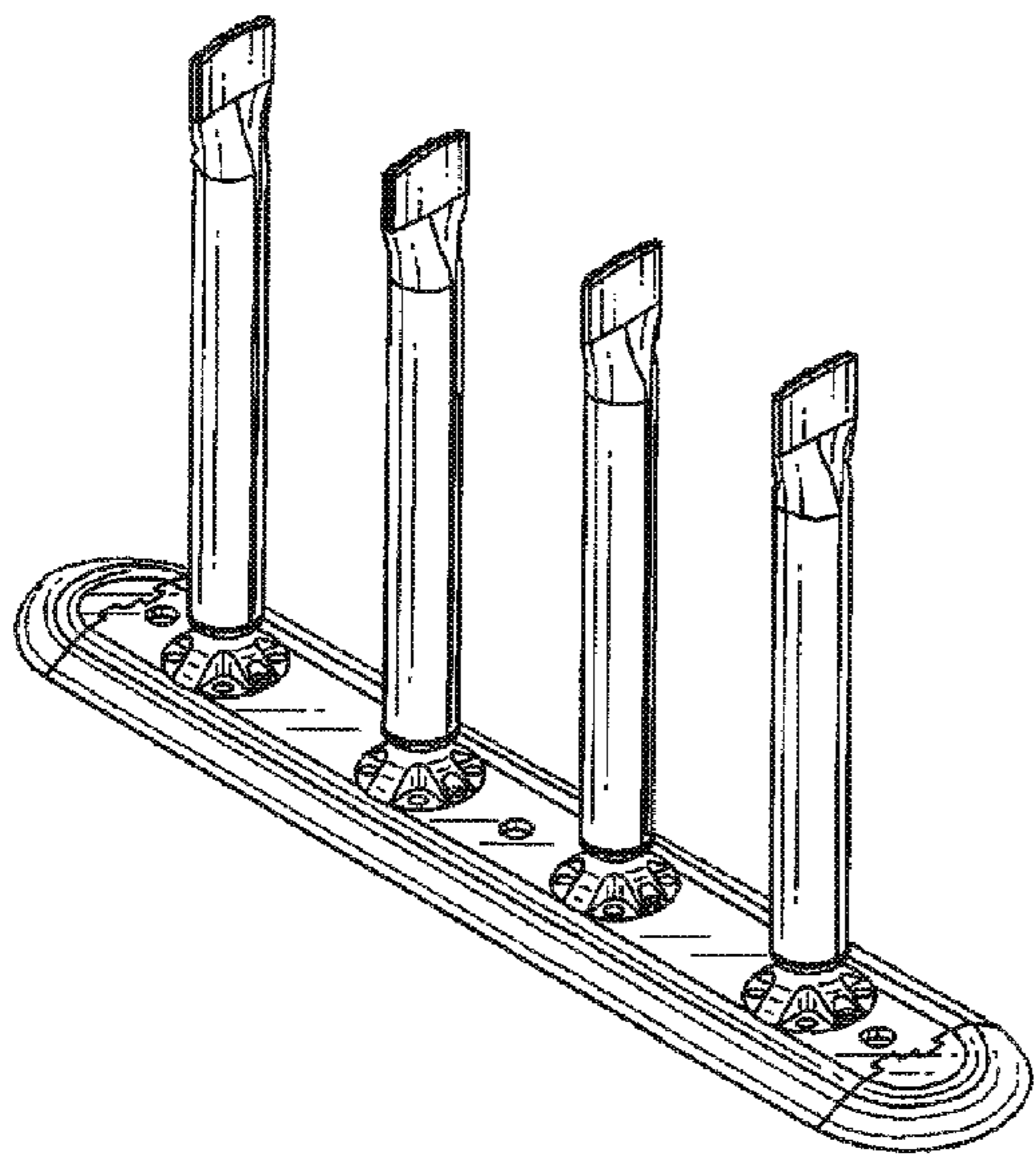
FIG. 4 is a left end elevation view thereof;

FIG. 5 is a rear elevation view thereof;

FIG. 6 is a right end elevation view thereof; and,

FIG. 7 is a bottom plan view thereof.

1 Claim, 3 Drawing Sheets



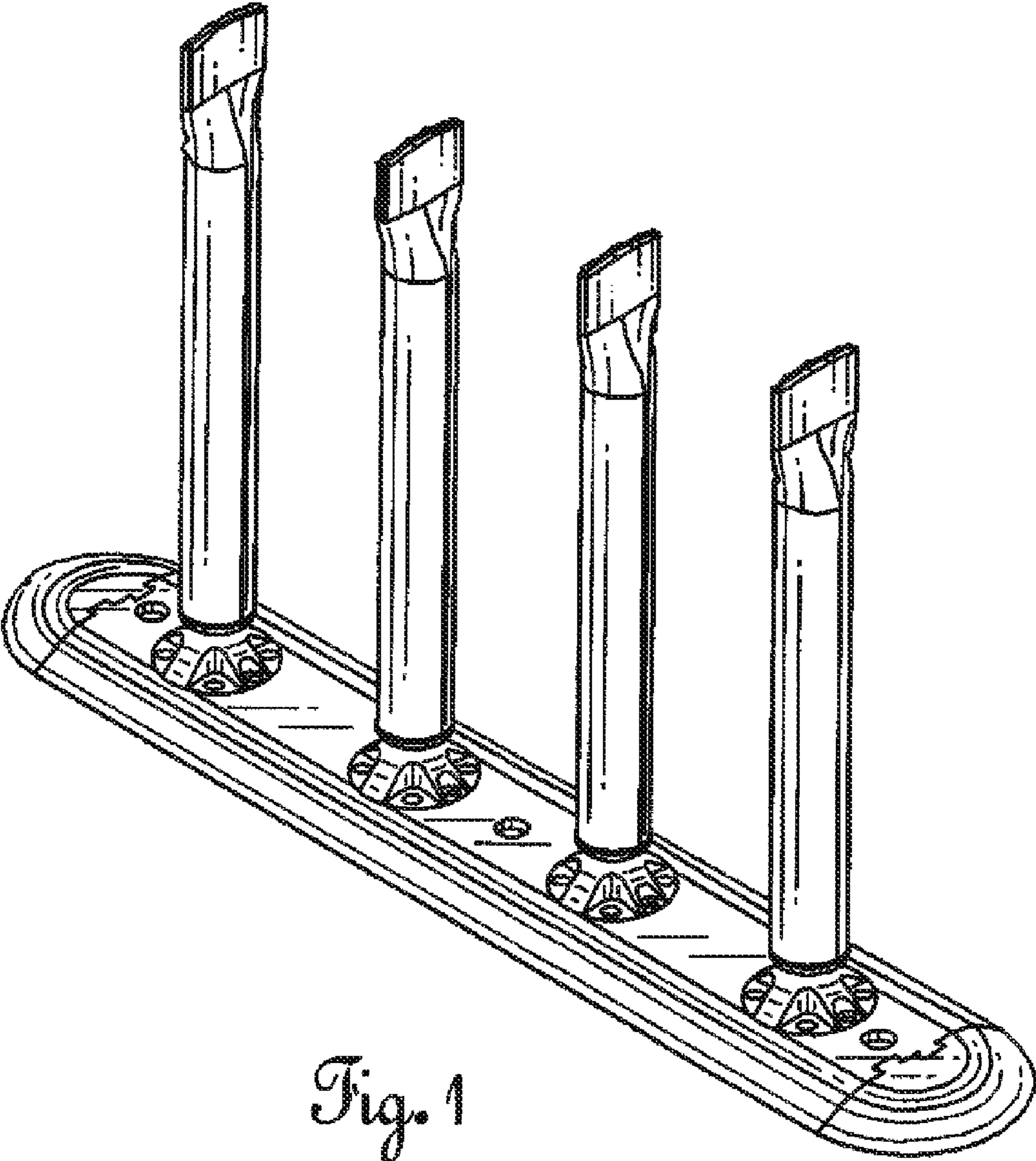


Fig. 1

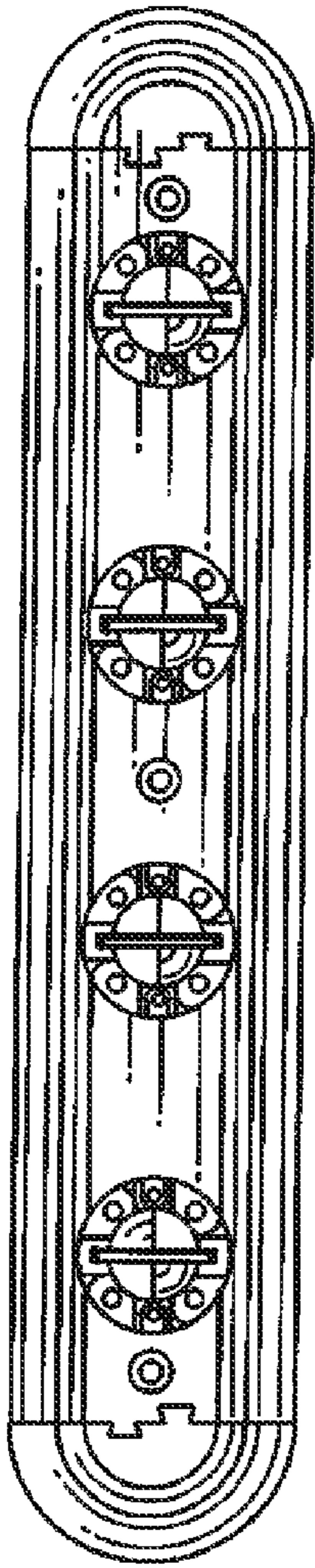


Fig. 2

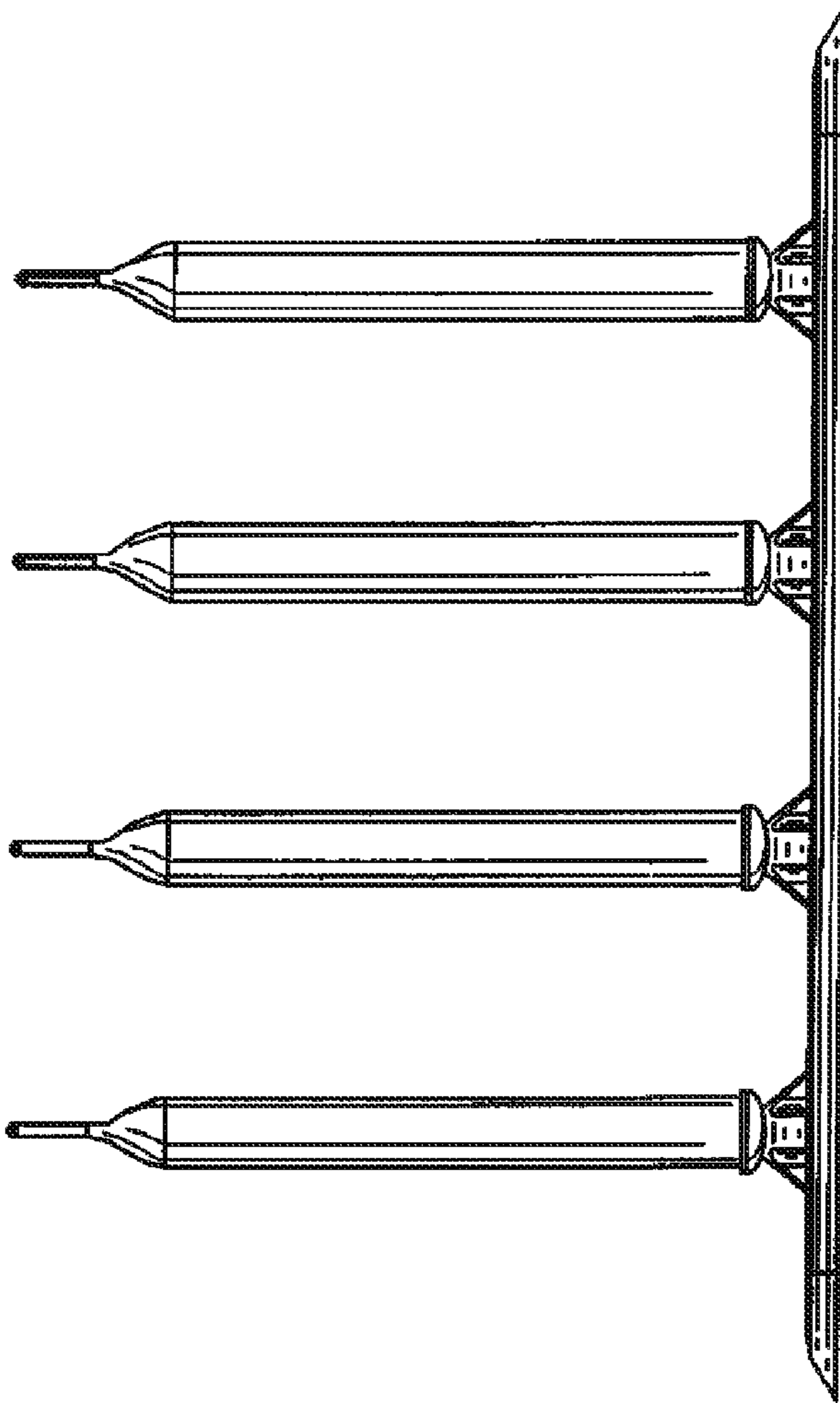


Fig. 3

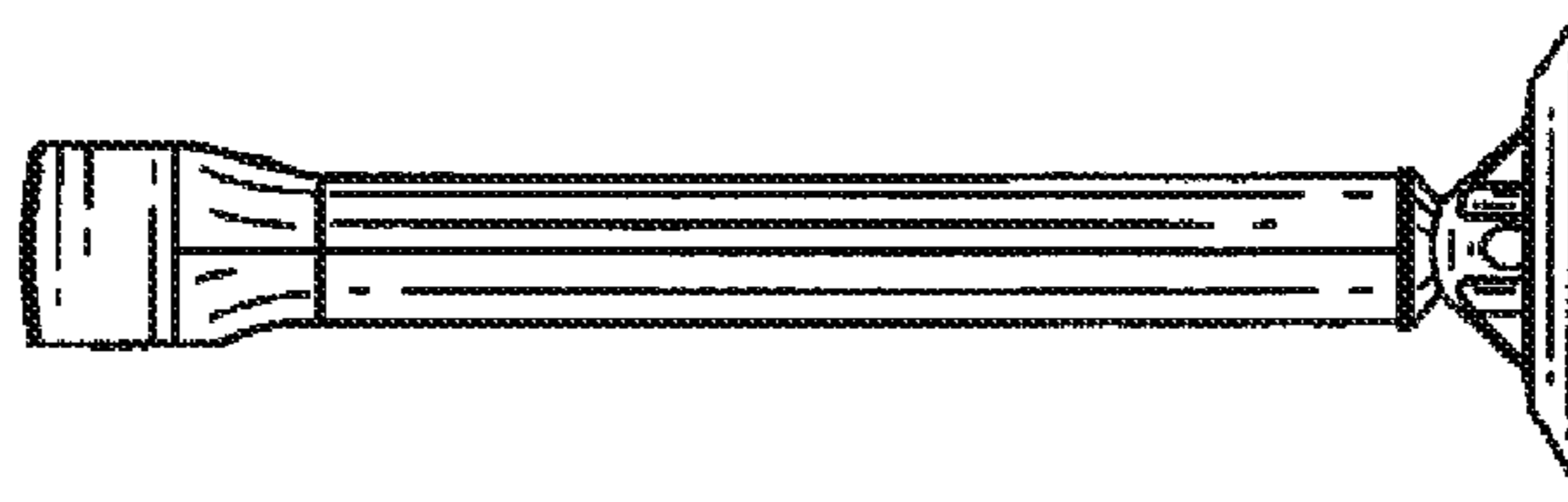


Fig. 4

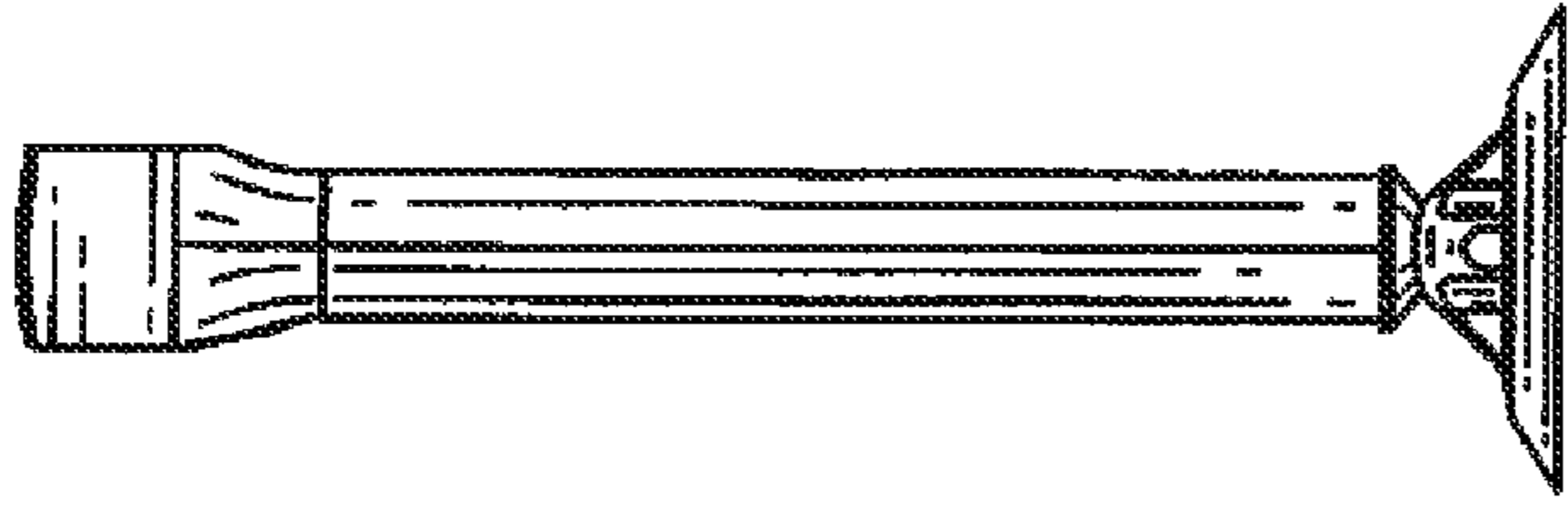


Fig. 6

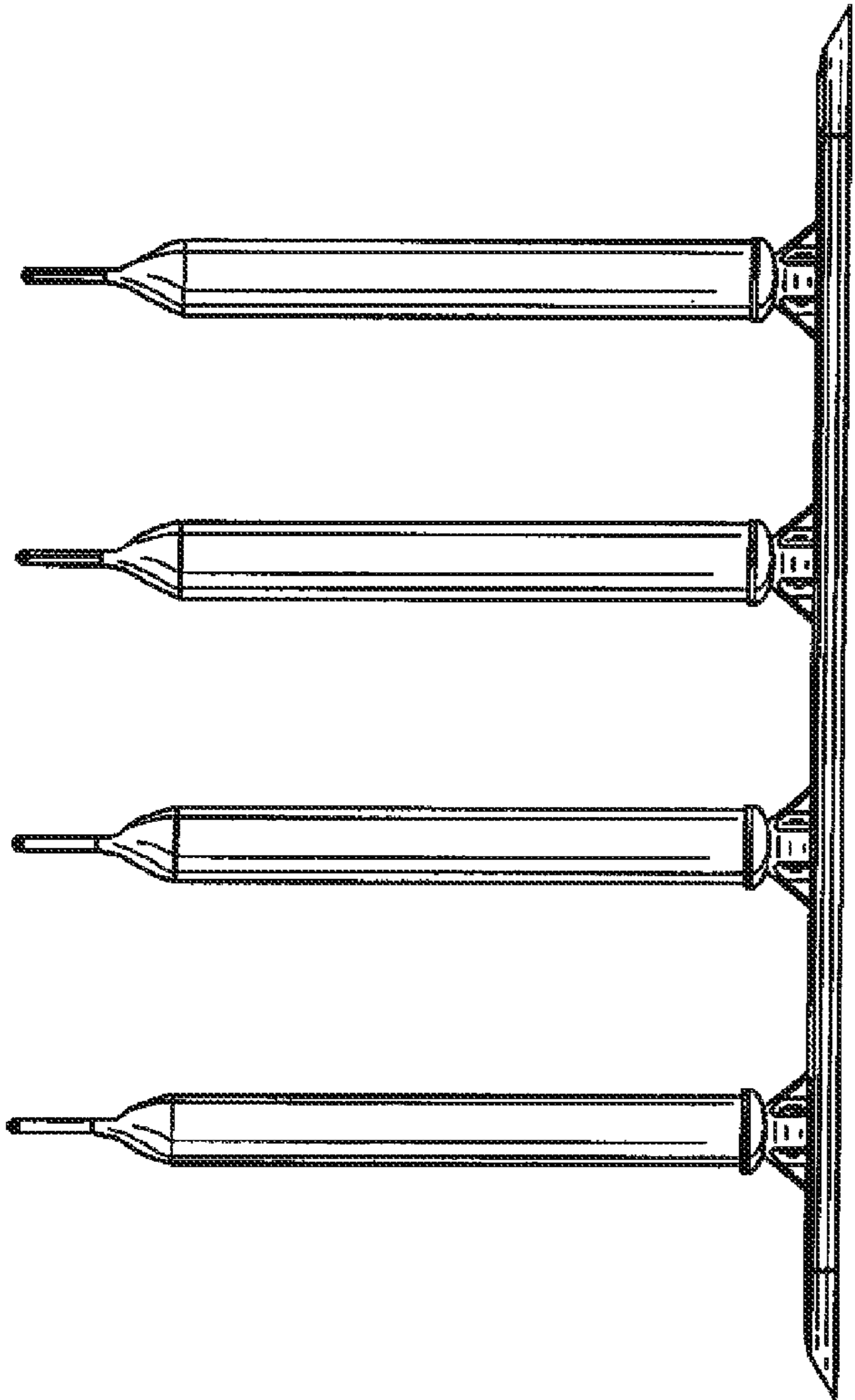


Fig. 5

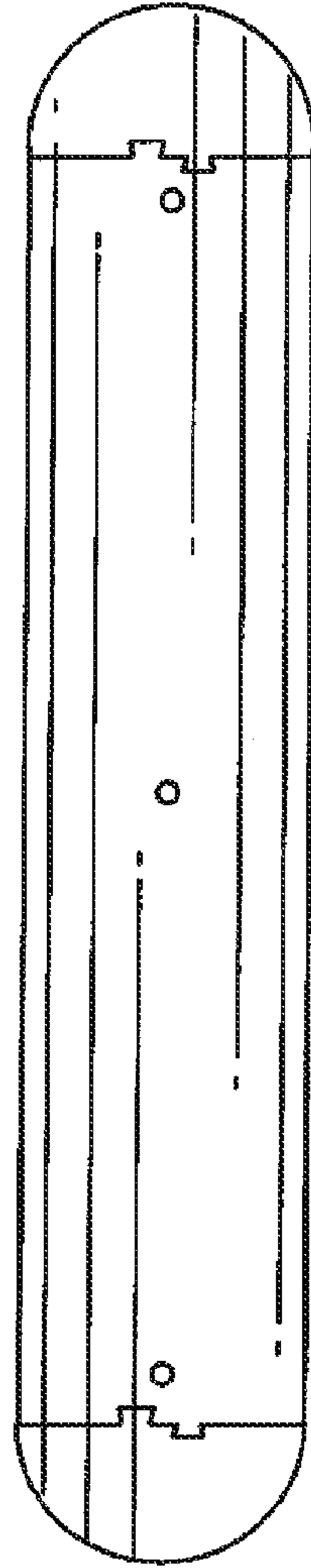


Fig. 7