

US00D620823S

(12) **United States Design Patent**
Hannah et al.

(10) **Patent No.:** **US D620,823 S**

(45) **Date of Patent:** **** Aug. 3, 2010**

(54) **PLATFORM BARRIER FOR VISUALLY IMPAIRED PEDESTRIANS**

(75) Inventors: **Gregory L. Hannah**, San Antonio, TX (US); **Jeff Applegate**, Houston, TX (US)

(73) Assignee: **Impact Recovery System, Inc.**, San Antonio, TX (US)

(**) Term: **14 Years**

(21) Appl. No.: **29/345,117**

(22) Filed: **Oct. 9, 2009**

(51) **LOC (9) Cl.** **10-05**

(52) **U.S. Cl.** **D10/113**

(58) **Field of Classification Search** D10/113;
116/200, 63 C, 63 P; 404/9, 10
See application file for complete search history.

(56) **References Cited**

U.S. PATENT DOCUMENTS

3,792,679	A *	2/1974	Duckett et al.	116/63 P
4,515,499	A *	5/1985	Furiate	404/6
5,527,127	A *	6/1996	Junker	404/6
5,670,954	A *	9/1997	Junker	340/908.1

6,454,488	B1 *	9/2002	Lewis et al.	404/6
7,325,999	B1 *	2/2008	Schindler et al.	404/10
2005/0036833	A1 *	2/2005	Hotchkin	404/10

* cited by examiner

Primary Examiner—Caron Veynar

Assistant Examiner—George D Kirschbaum

(74) *Attorney, Agent, or Firm*—Jackson Walker, LLP

(57) **CLAIM**

The ornamental design of a platform barrier for visually impaired pedestrians, as shown and described.

DESCRIPTION

FIG. 1 is a top, front, left-side perspective view of platform barrier for visually impaired pedestrians showing my design;

FIG. 2 is a top plan view thereof;

FIG. 3 is a front elevation view thereof;

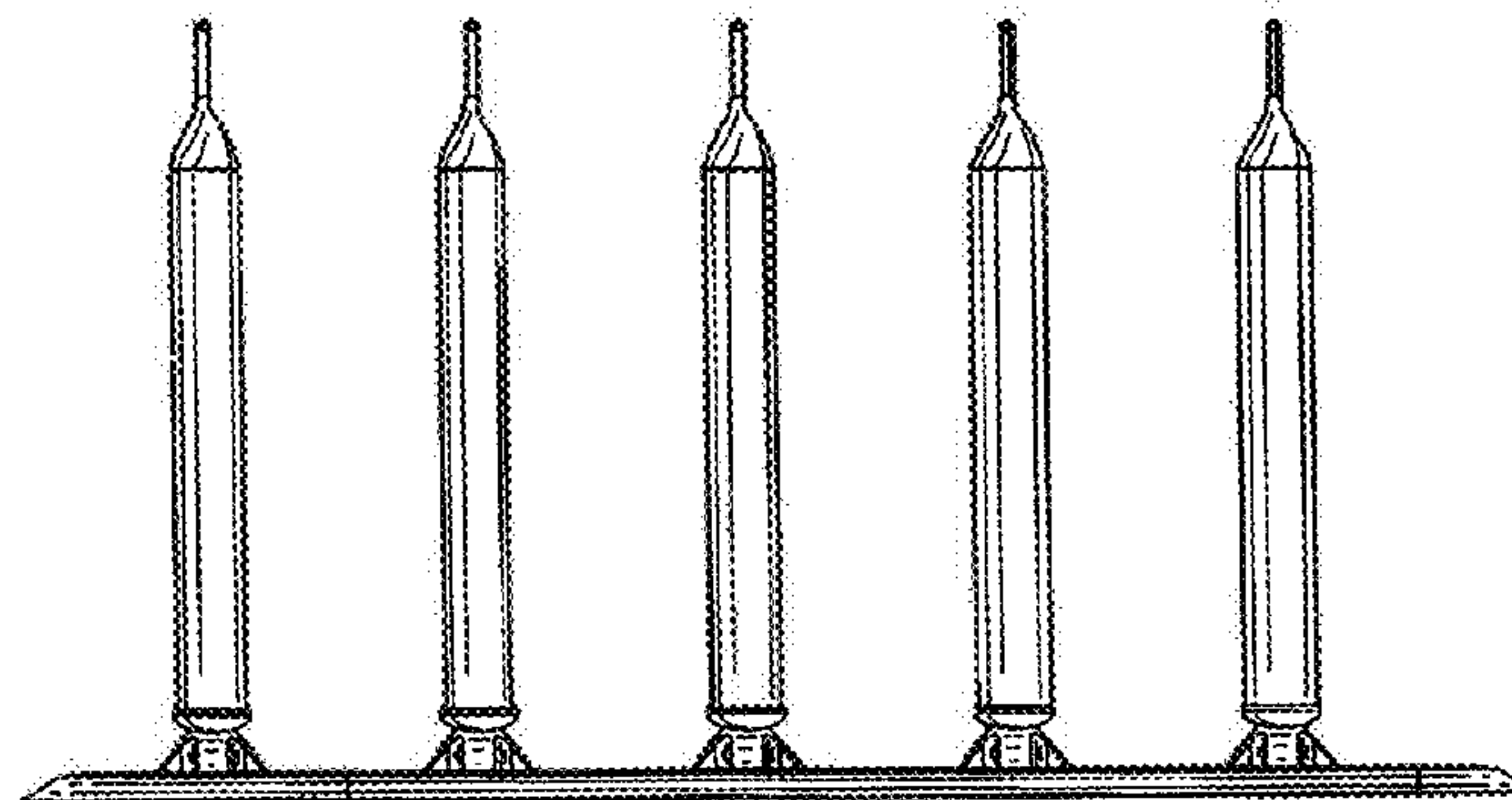
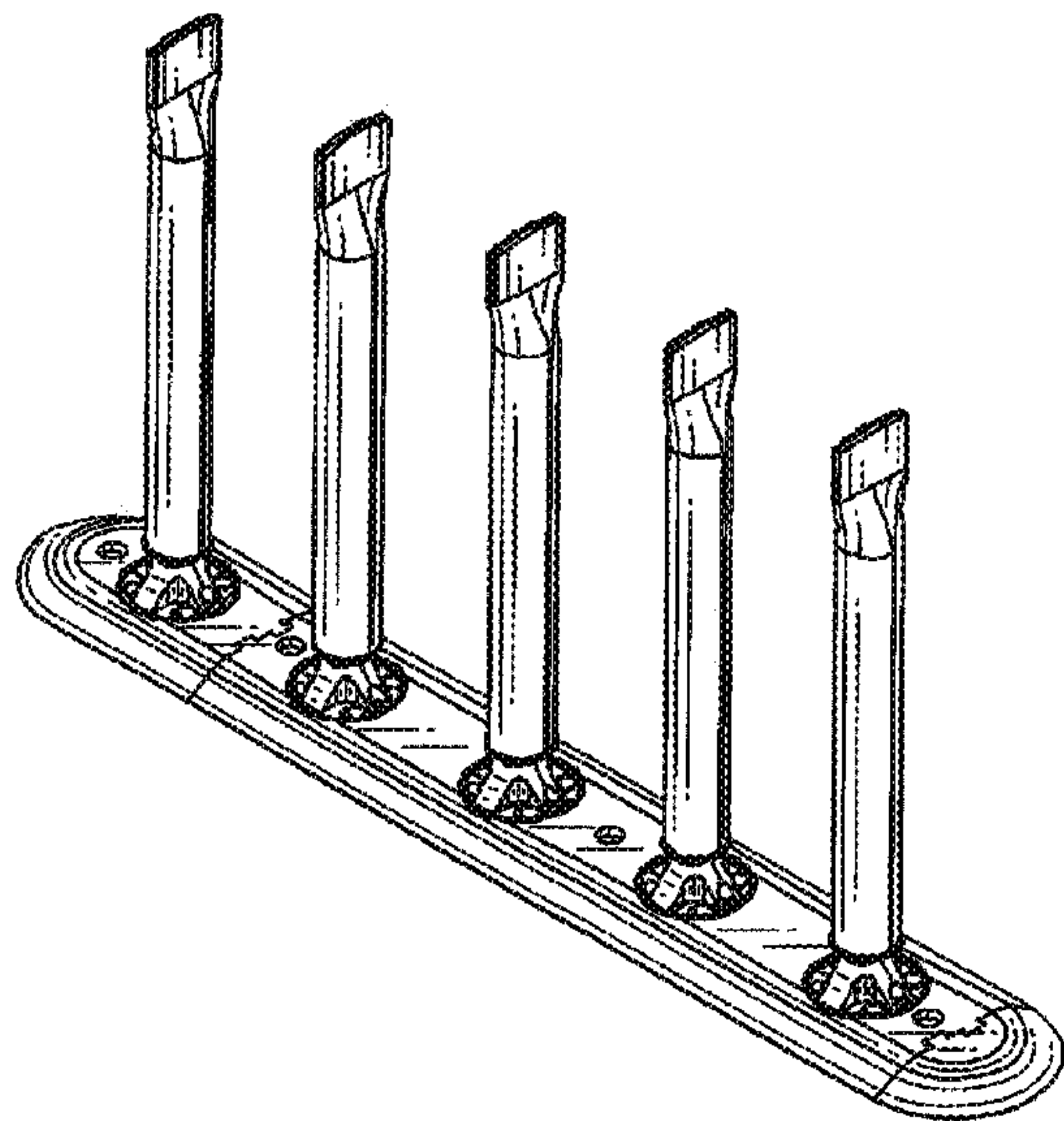
FIG. 4 is a left end elevation view thereof;

FIG. 5 is a rear elevation view thereof;

FIG. 6 is a right end elevation view thereof; and,

FIG. 7 is a bottom plan view thereof.

1 Claim, 3 Drawing Sheets



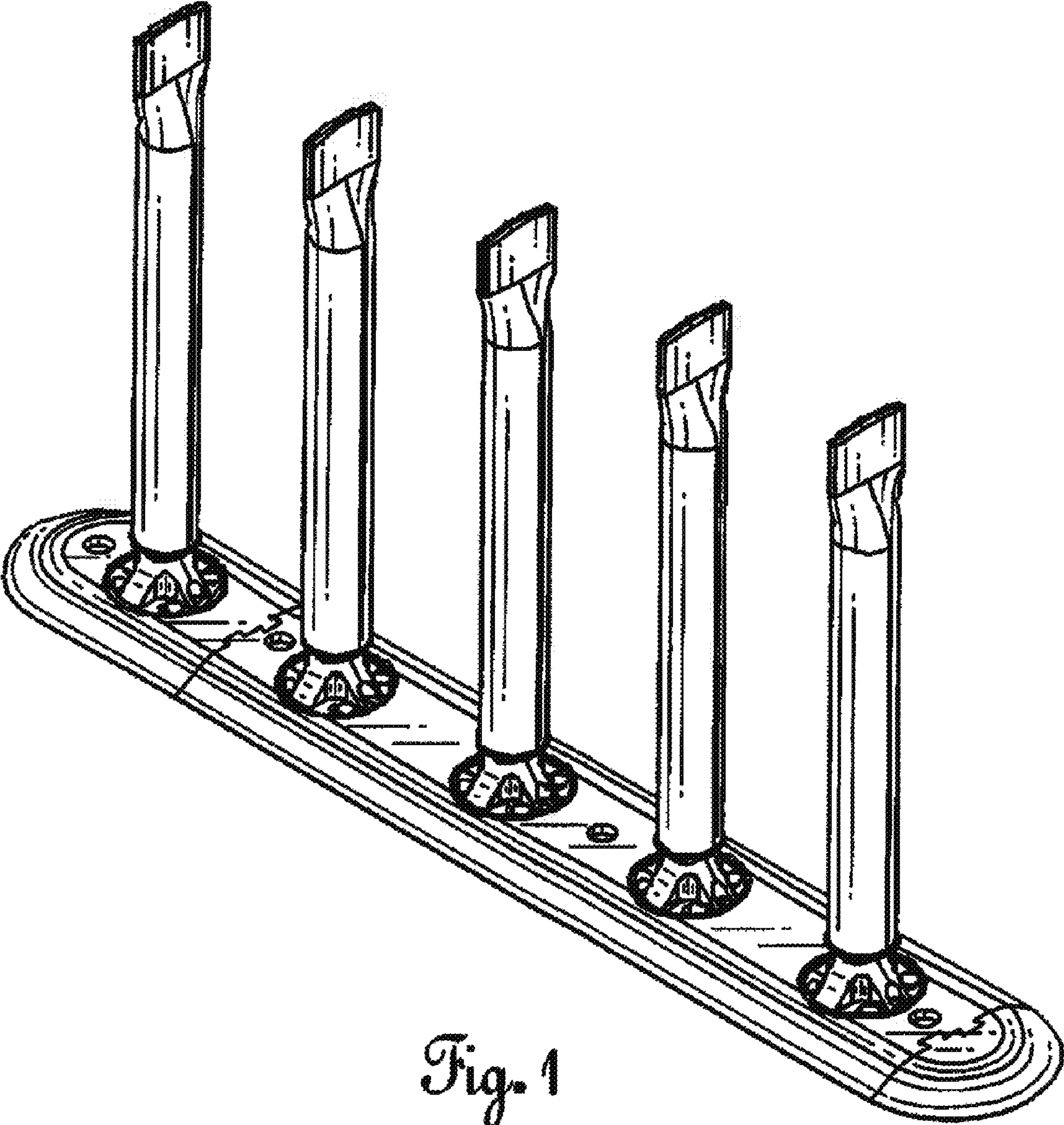


Fig. 1

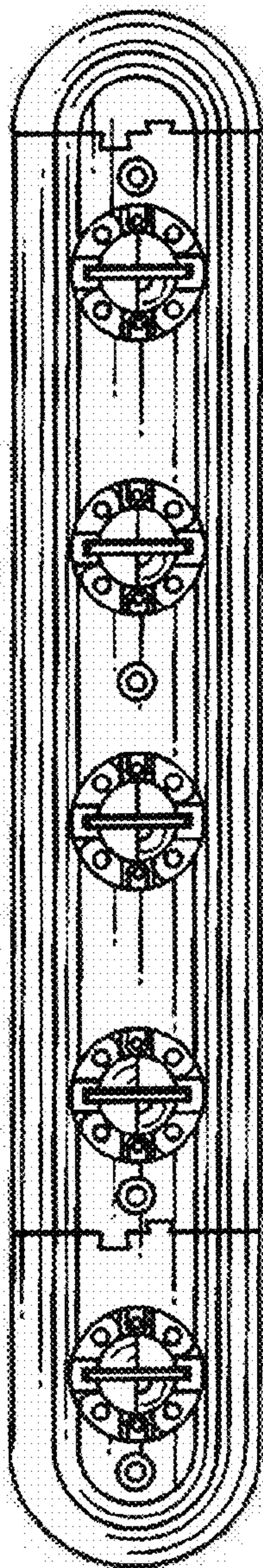


Fig. 2

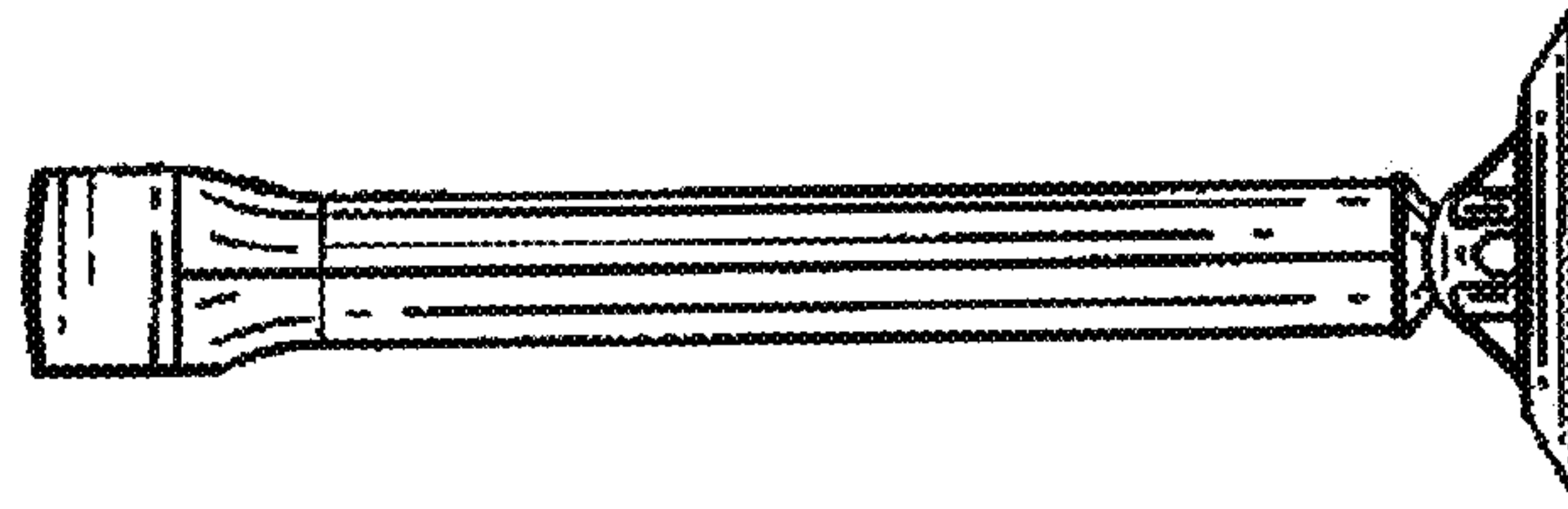


Fig. 4

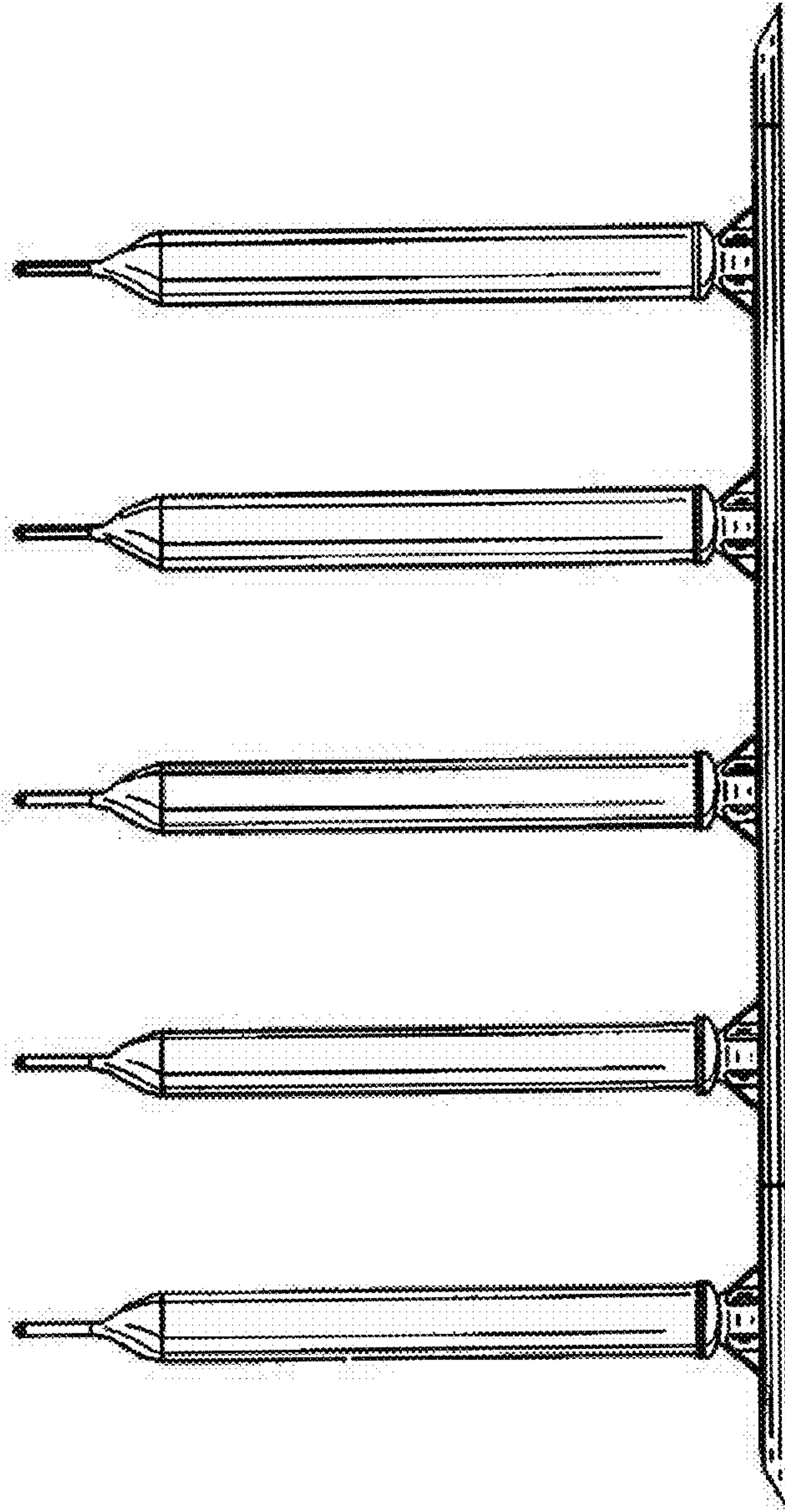


Fig. 3

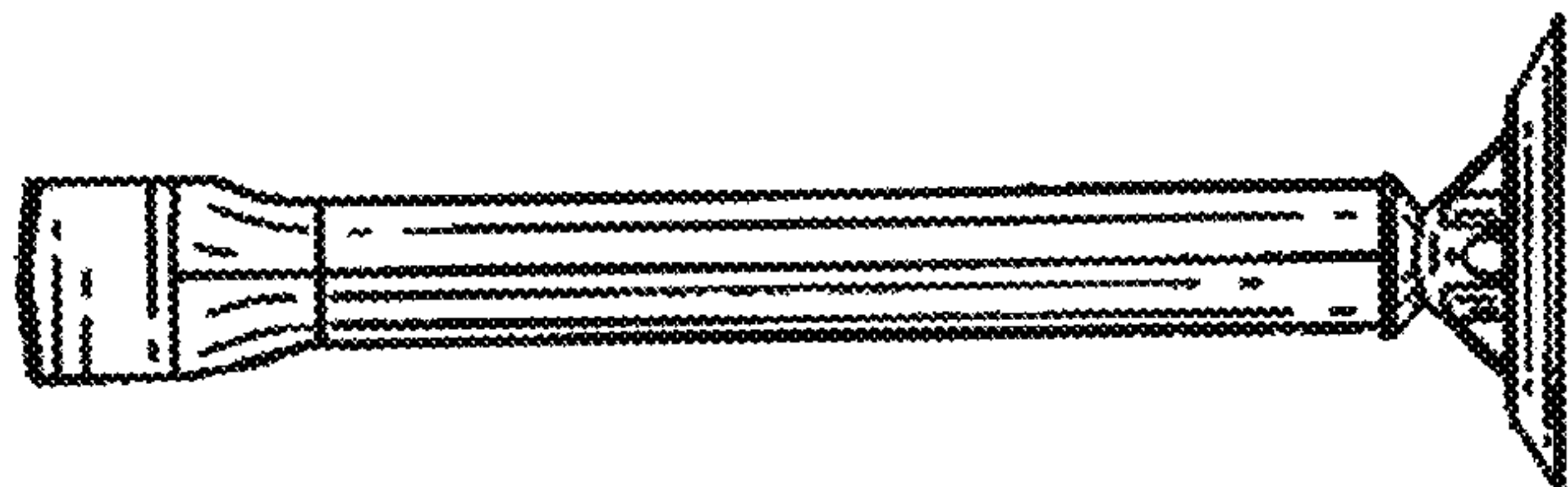


Fig. 6

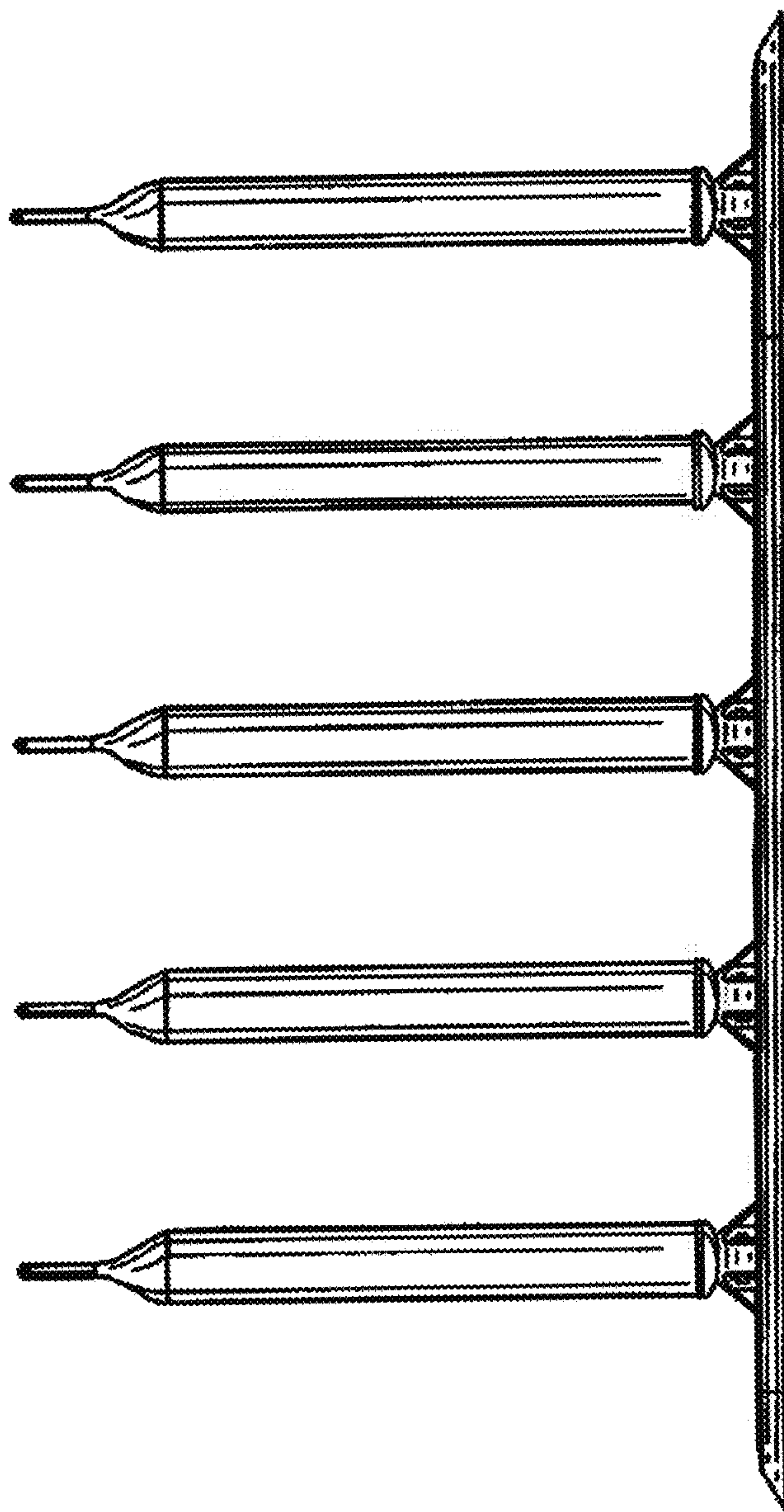


Fig. 5

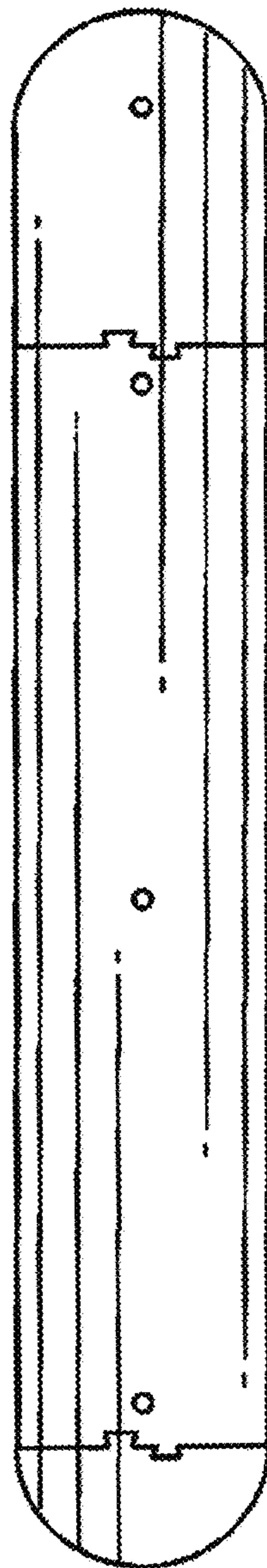


Fig. 7