



US00D620822S

(12) **United States Design Patent**  
**Schmitz et al.**

(10) **Patent No.:** **US D620,822 S**

(45) **Date of Patent:** **\*\* Aug. 3, 2010**

(54) **COLLAPSIBLE LAND RESCUE SIGNALING  
FLAG**

(76) Inventors: **Kimberlee Schmitz**, House #69 CR 405,  
Lindrith, NM (US) 87029; **Tony Lee  
Schmitz**, House #69 CR 405, Lindrith,  
NM (US) 87029

(\*\*) Term: **14 Years**

(21) Appl. No.: **29/348,583**

(22) Filed: **Jan. 22, 2010**

(51) **LOC (9) Cl.** ..... **10-05**

(52) **U.S. Cl.** ..... **D10/109**

(58) **Field of Classification Search** ..... D10/109,  
D10/113, 114; D20/10, 39-43; 116/63 R,  
116/63 P, 63 T, 63 C, 28 R, 209, 173; 40/584,  
40/606, 607, 608, 611, 612; 404/4-16; 340/472;  
D11/166, 181

See application file for complete search history.

(56) **References Cited**

**U.S. PATENT DOCUMENTS**

1,302,190 A \* 4/1919 McCormack ..... 116/173

3,760,441 A *	9/1973	Handelman .....	441/11
3,895,348 A *	7/1975	Palermo .....	340/472
D249,782 S *	10/1978	Marcus .....	D10/109
5,343,825 A *	9/1994	Gazecimeon et al. ....	116/173
D399,446 S *	10/1998	Stillwell .....	D10/109
D427,102 S *	6/2000	Irizarry et al. ....	D10/109
D432,945 S *	10/2000	Icenhour .....	D11/166
6,129,035 A *	10/2000	Schweinberger .....	116/28 R
2006/0086307 A1 *	4/2006	Kaz .....	116/28 R

\* cited by examiner

*Primary Examiner*—Caron Veynar

*Assistant Examiner*—George D Kirschbaum

(74) *Attorney, Agent, or Firm*—Richard L. Mikesell

(57) **CLAIM**

The ornamental design for a collapsible land rescue signaling flag, as shown and described.

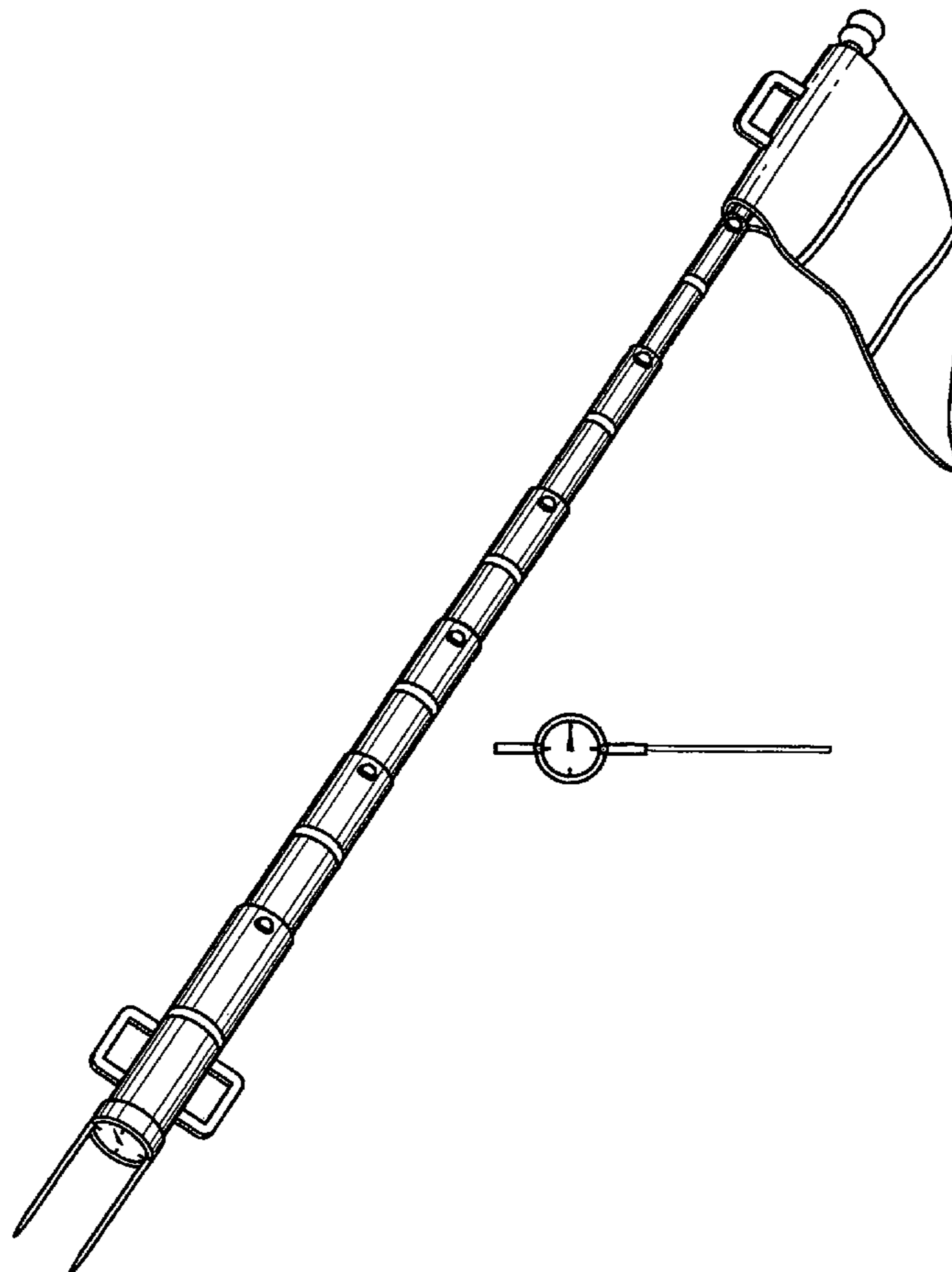
**DESCRIPTION**

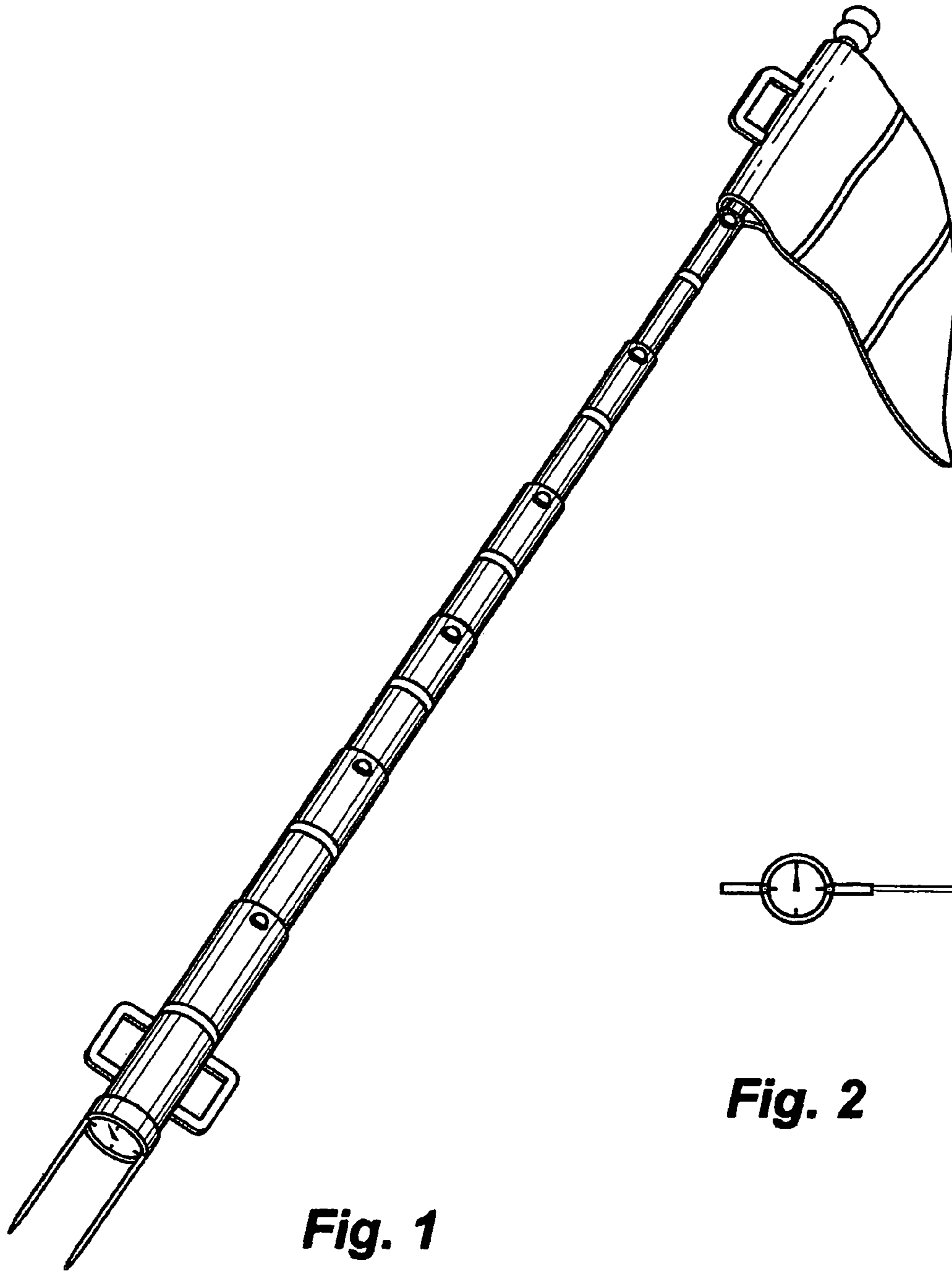
FIG. 1: Top right perspective view; and,

FIG. 2: Butt end view.

The hidden sides in FIG. 1 are identical to the side shown.

**1 Claim, 1 Drawing Sheet**





**Fig. 1**



**Fig. 2**