



US00D620821S

(12) **United States Design Patent**
Driver

(10) **Patent No.:** **US D620,821 S**

(45) **Date of Patent:** **** Aug. 3, 2010**

(54) **MEASURING INSTRUMENT**

(75) Inventor: **John Driver**, Leicester (GB)

(73) Assignee: **Newall Measurement Systems Limited**,
South Wigston, Leicestershire (GB)

(**) Term: **14 Years**

(21) Appl. No.: **29/341,890**

(22) Filed: **Aug. 14, 2009**

(30) **Foreign Application Priority Data**

Jun. 19, 2009 (GB) 001148118-0001

(51) **LOC (9) Cl.** **10-04**

(52) **U.S. Cl.** **D10/65; D10/70**

(58) **Field of Classification Search** D10/65,
D10/70; D15/148-149; 33/482, 655, 702,
33/704, 706, 707, 708, DIG. 19; 250/231.14,
250/237 G, 550, 231.16, 214.1; 277/245,
277/910; 310/12.24, 68 B, 12.19; 318/135,
318/653, 687; 324/207.21, 207.24; 356/614,
356/499

See application file for complete search history.

(56) **References Cited**

U.S. PATENT DOCUMENTS

3,533,703 A * 10/1970 Wingate 356/396
5,606,256 A * 2/1997 Takei 324/207.21
6,181,423 B1 * 1/2001 Uriarte 356/614
6,769,195 B2 * 8/2004 Huber et al. 33/706

* cited by examiner

Primary Examiner—Antoine D Davis

(74) *Attorney, Agent, or Firm*—Luedeka, Neely & Graham,
PC

(57) **CLAIM**

The ornamental design for a measuring instrument, as shown
and described.

DESCRIPTION

FIG. 1 is lower perspective view of the measuring instrument
of my new design;

FIG. 2 is a top plan view of the measuring instrument of my
new design;

FIG. 3 is a bottom plan view of the measuring instrument of
my new design;

FIG. 4 is a left side view of the measuring instrument of my
new design;

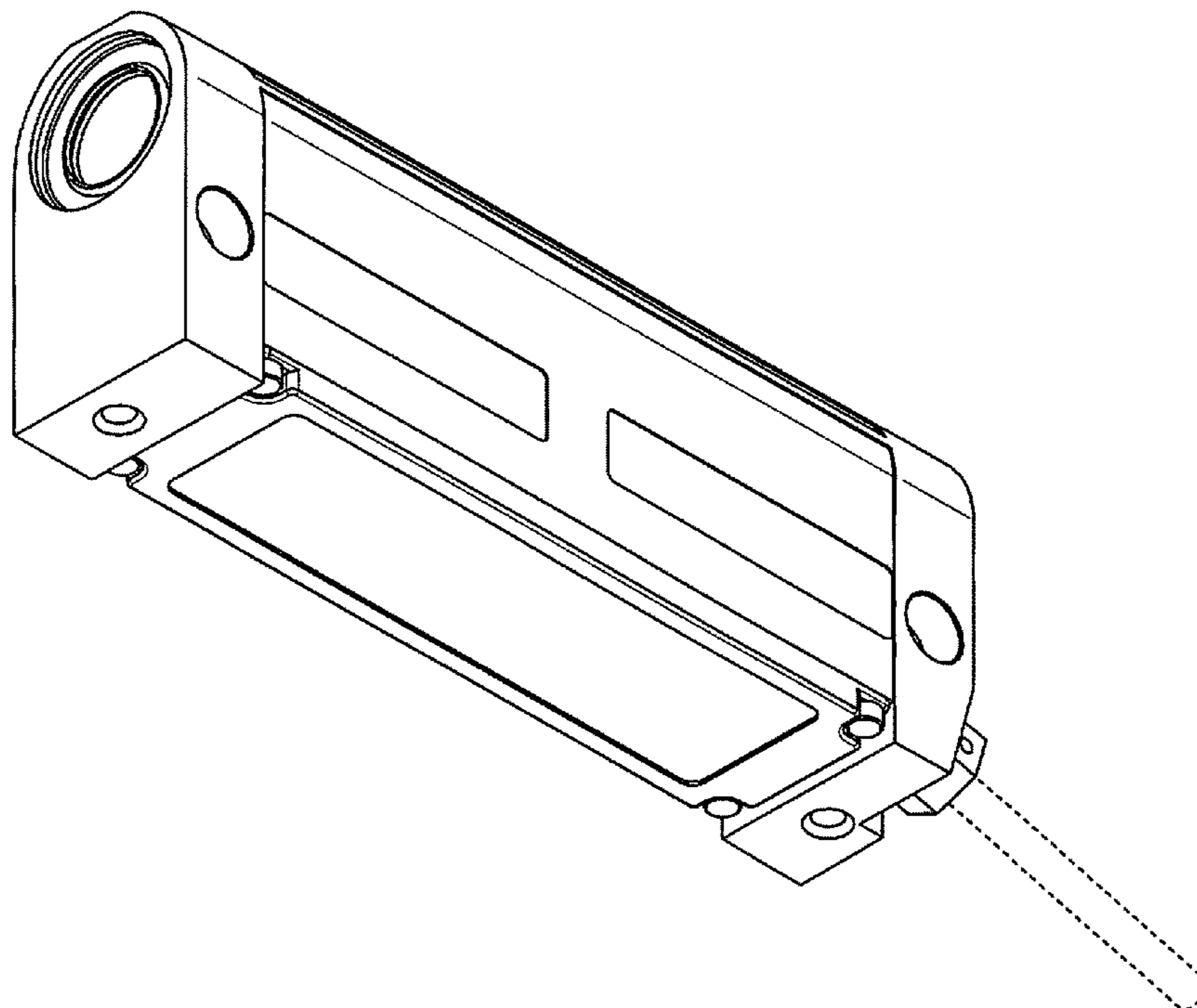
FIG. 5 is a right side view of the measuring instrument of my
new design;

FIG. 6 is a front end view of the measuring instrument of my
new design; and,

FIG. 7 is a rear end view of the measuring instrument of my
new design.

The broken line showing of structural features is included for
the purpose of illustrating non-claimed subject matter and
forms no part of the claimed design.

1 Claim, 2 Drawing Sheets



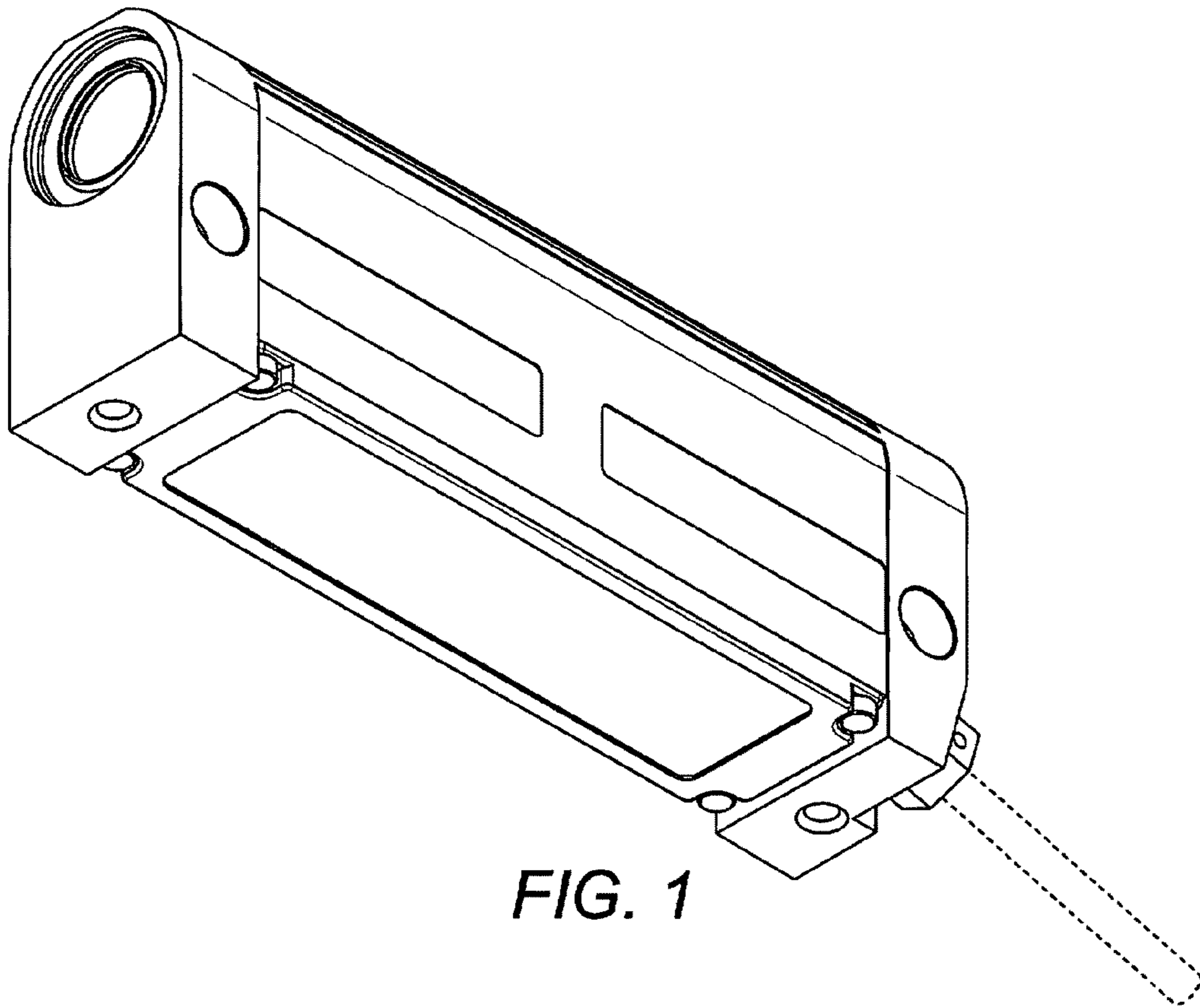


FIG. 1

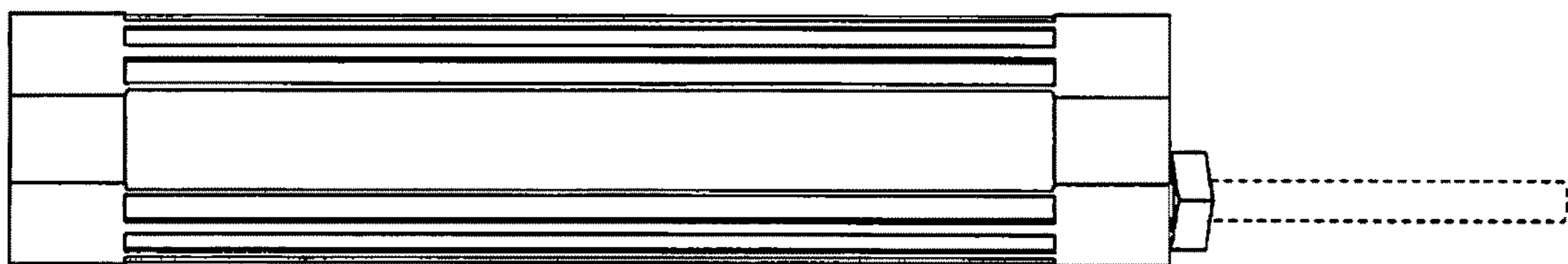


FIG. 2

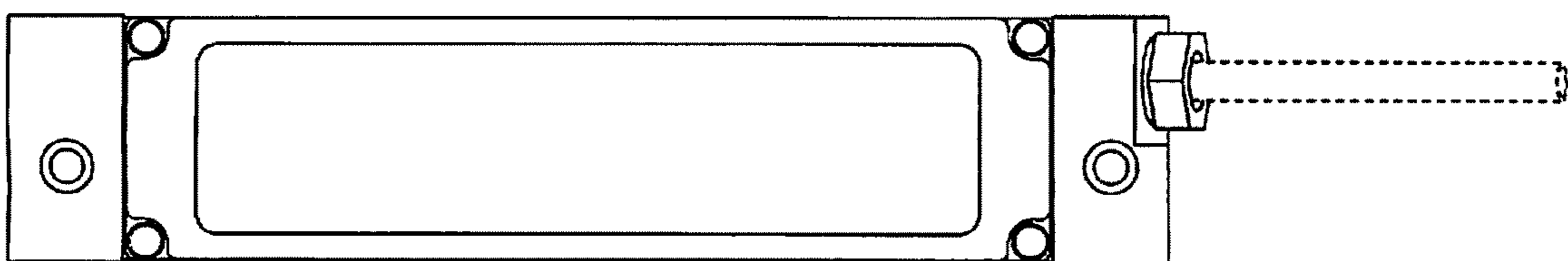


FIG. 3

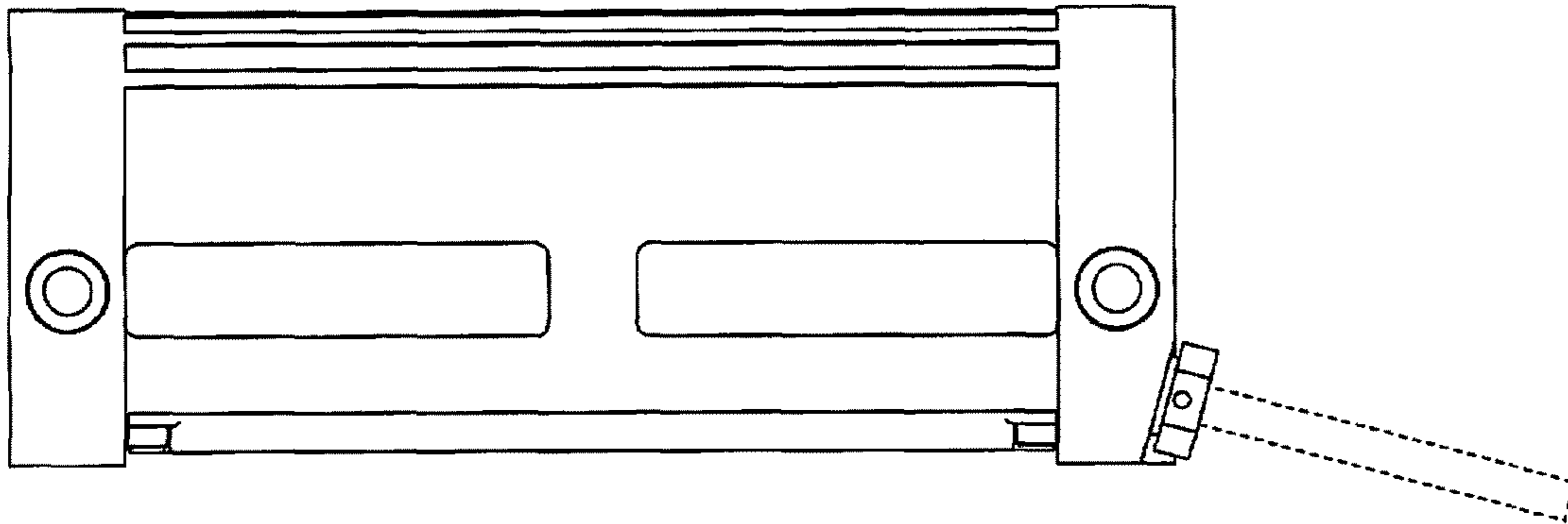


FIG. 4

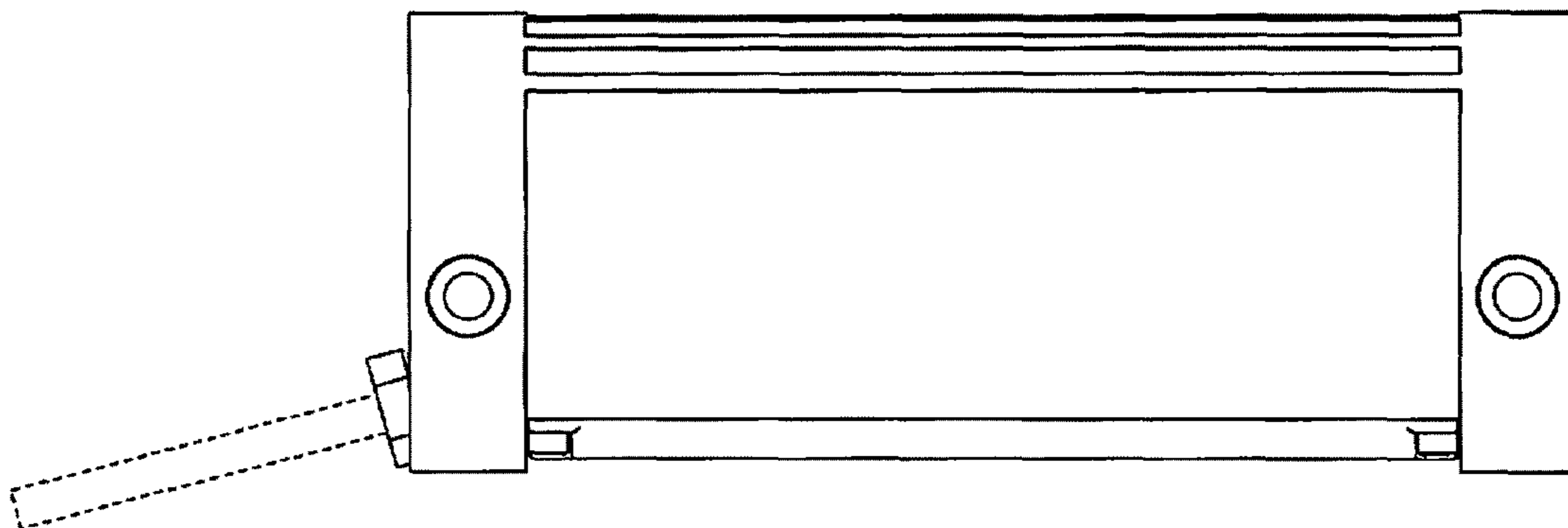


FIG. 5

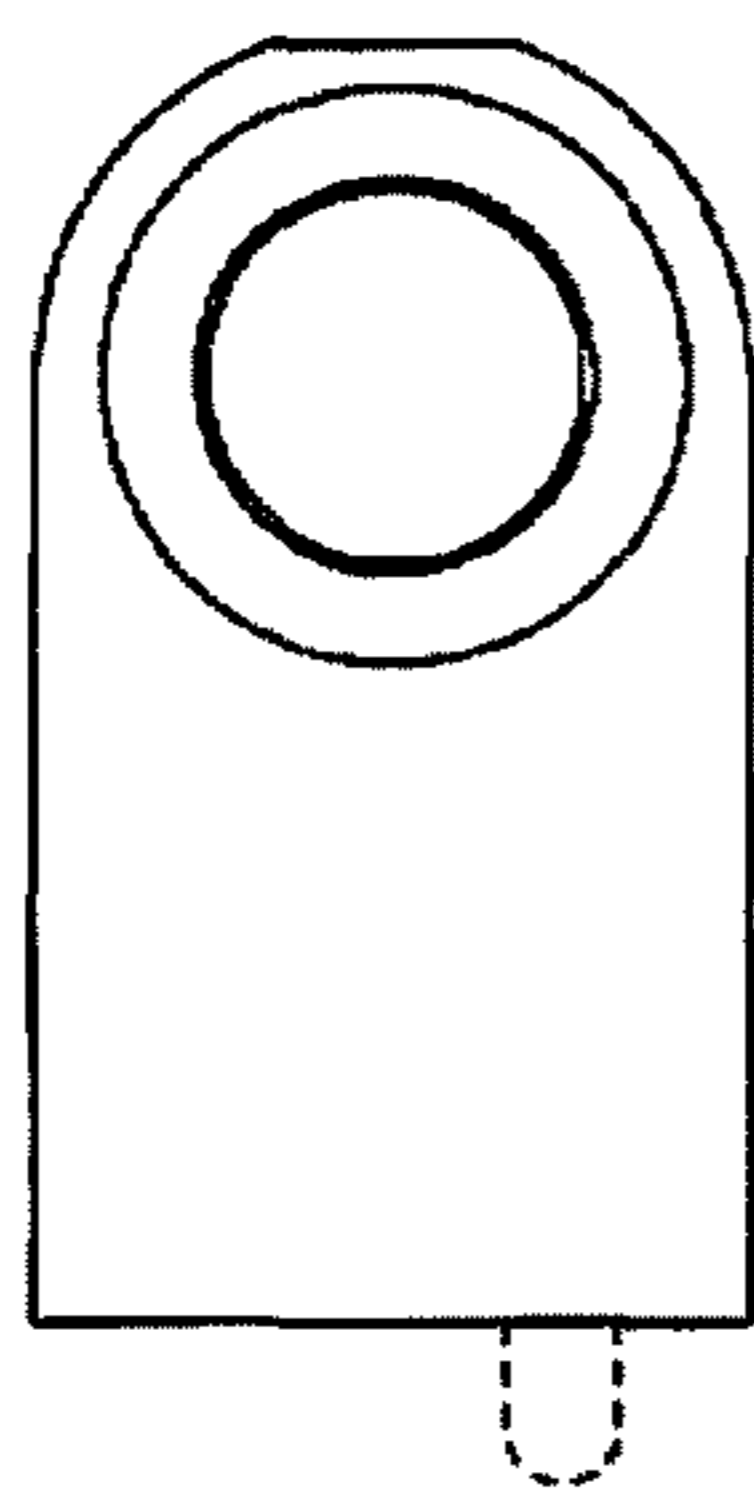


FIG. 6

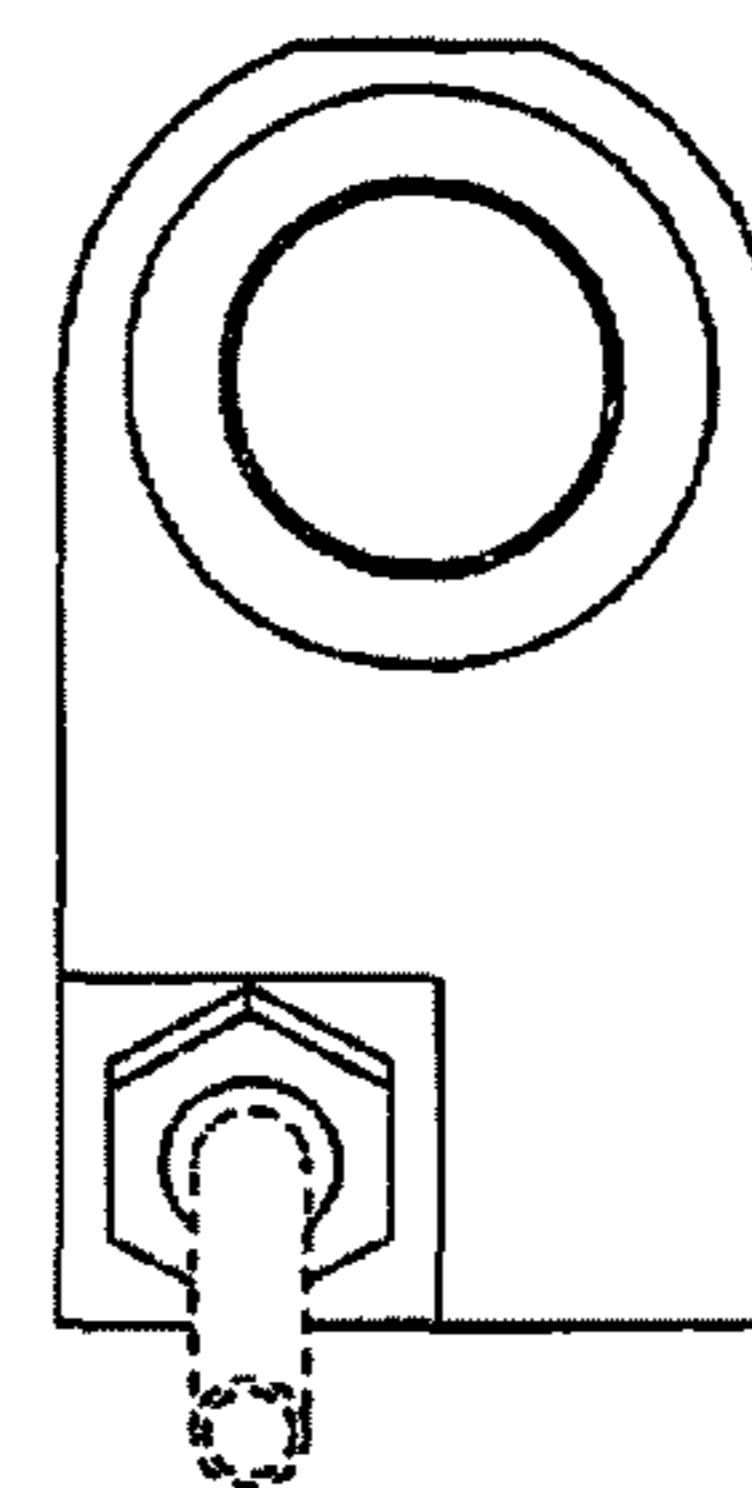


FIG. 7