



US00D620812S

(12) **United States Design Patent**  
**Gaudenzi et al.**

(10) **Patent No.:** **US D620,812 S**  
(45) **Date of Patent:** **\*\* Aug. 3, 2010**

- (54) **BLISTER PACKAGING**
- (75) Inventors: **Rodolfo Gaudenzi**, Bologna (IT);  
**Gabriele Forni**, Bologna (IT)
- (73) Assignee: **Ima Safe S.R.L.**, Ozzano Emilia (IT)
- (\*\*) Term: **14 Years**
- (21) Appl. No.: **29/357,466**
- (22) Filed: **Mar. 12, 2010**

- D444,379 S 7/2001 Assargren et al.
- D454,781 S 3/2002 Assargren et al.
- D455,344 S 4/2002 Assargren et al.
- D455,345 S 4/2002 Assargren et al.
- D455,953 S 4/2002 Assargren et al.
- D588,471 S 3/2009 Fluegel et al.
- D594,753 S 6/2009 Eadicicco et al.
- D597,418 S 8/2009 Stojek
- D598,785 S 8/2009 Stojek

**Related U.S. Application Data**

- (62) Division of application No. 29/322,681, filed on Aug. 8, 2008, now Pat. No. Des. 614,045.

**Foreign Application Priority Data**

- (30) Feb. 22, 2008 (IT) ..... BO2008O0008

- (51) **LOC (9) Cl.** ..... **09-03**
- (52) **U.S. Cl.** ..... **D9/732**
- (58) **Field of Classification Search** ..... D9/414,  
D9/415, 430, 432, 433, 730, 732, 737, 756-758,  
D9/761, 762; D3/201, 203.1, 203.2, 203.3,  
D3/264; D6/512, 515, 516; D21/100, 102,  
D21/107, 121, 218; 206/5, 5.1, 216, 461,  
206/462, 524.1, 527, 528, 531, 532, 538,  
206/539, 557, 564-566; 220/500  
See application file for complete search history.

**References Cited**

**U.S. PATENT DOCUMENTS**

- D207,676 S 5/1967 Tugwood
- D387,977 S 12/1997 Kallgren

*Primary Examiner*—Shanda C Hill  
(74) *Attorney, Agent, or Firm*—Pearne & Gordon LLP

(57) **CLAIM**

The ornamental design for blister packaging, as shown and described.

**DESCRIPTION**

FIG. 1 is a perspective view of a blister packaging, showing our new design;

FIG. 2 is a top plan view thereof;

FIG. 3 is a right side view thereof;

FIG. 4 is a left side view thereof;

FIG. 5 is a front view thereof;

FIG. 6 is a rear view thereof;

FIG. 7 is a bottom plan view thereof; and,

FIG. 8 is a side view thereof, shown in an alternate folded position.

**1 Claim, 2 Drawing Sheets**

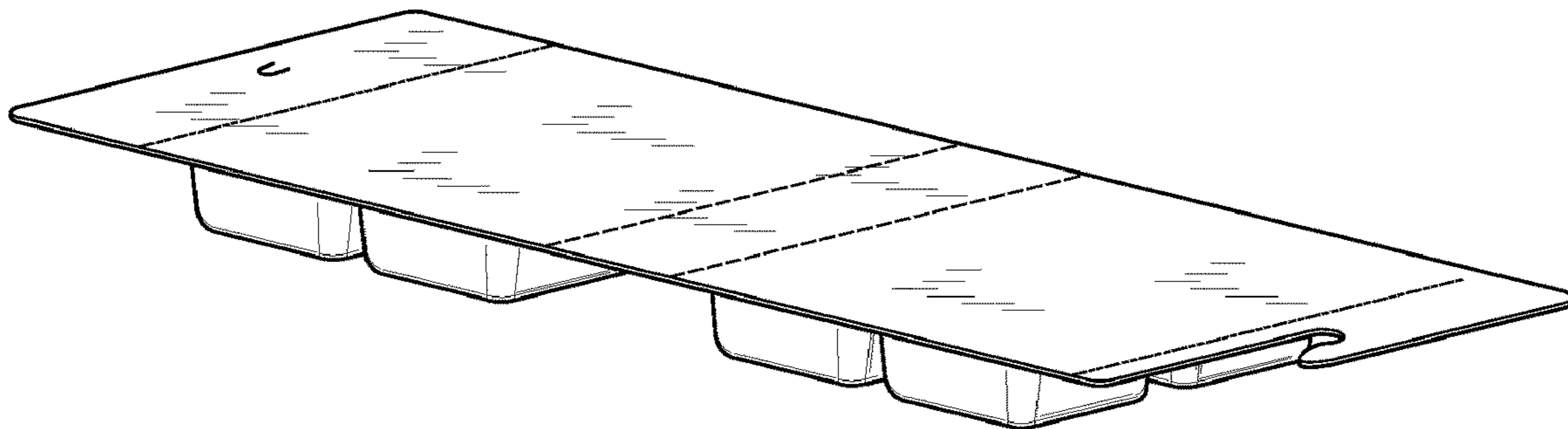


FIG. 1

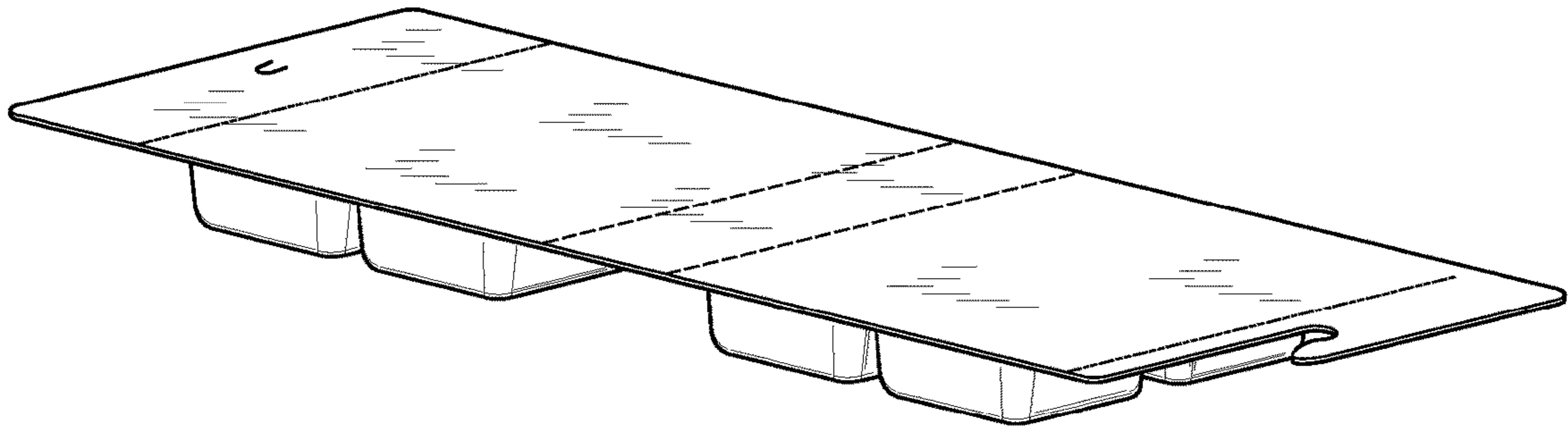


FIG. 2

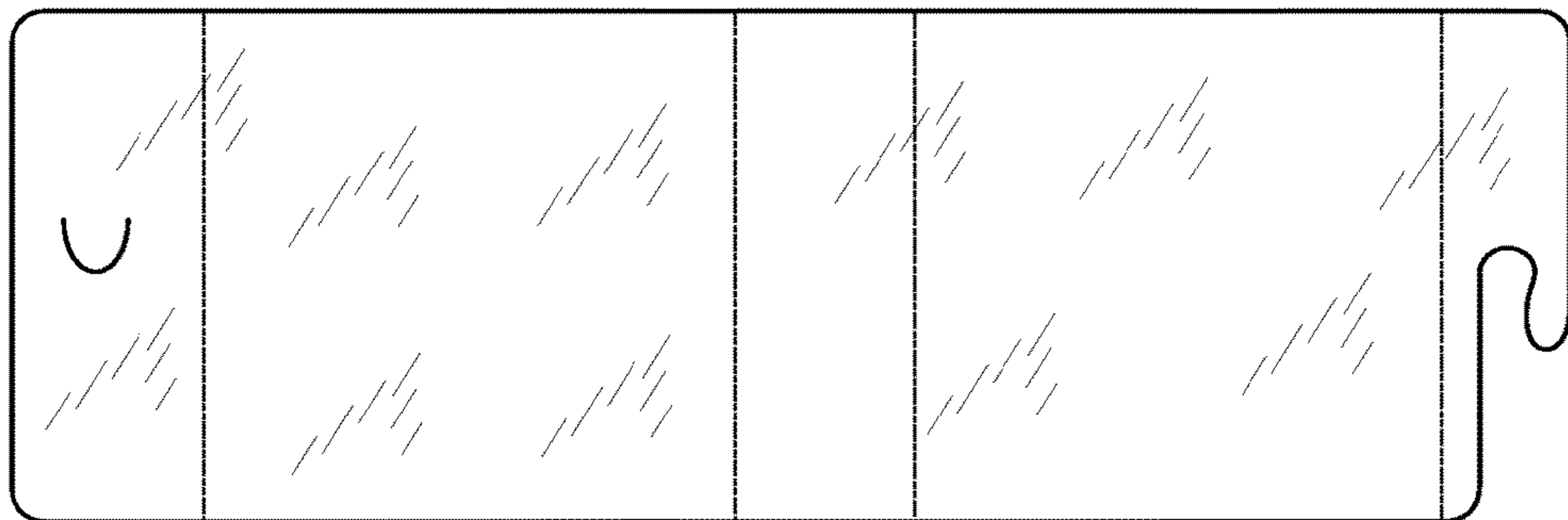


FIG. 3

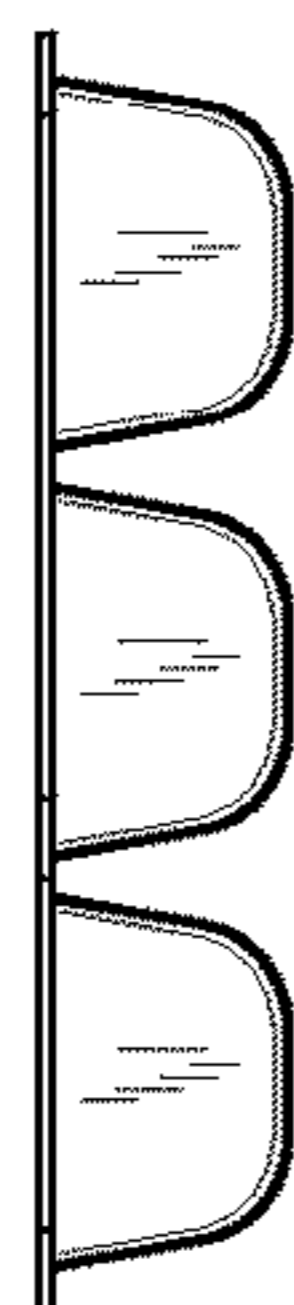


FIG. 4

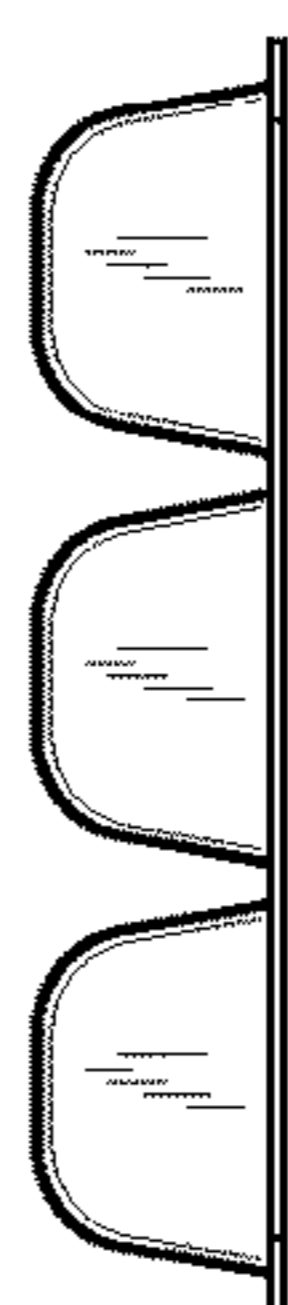


FIG. 5



FIG. 6

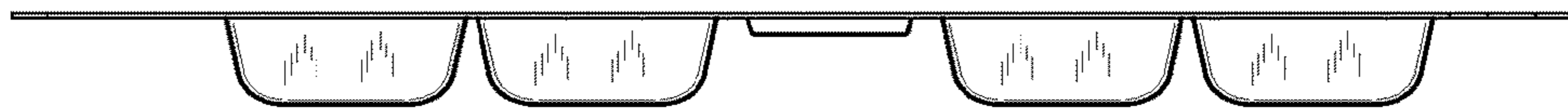


FIG. 7

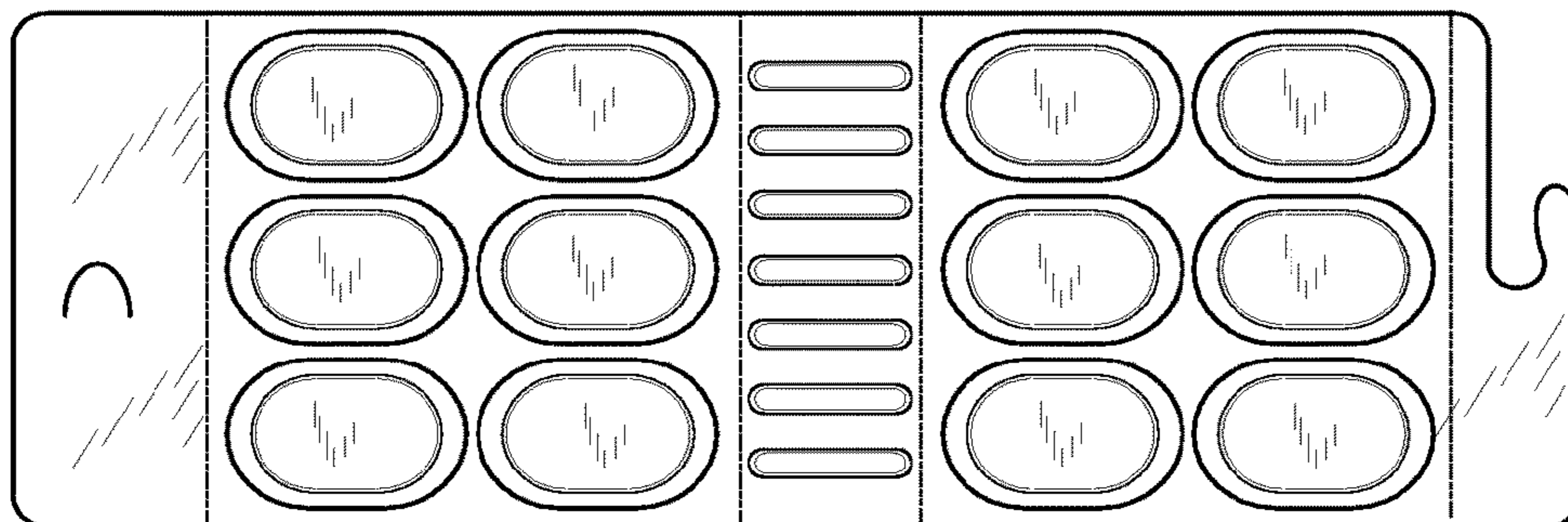


FIG. 8

