



US00D620807S

(12) **United States Design Patent**  
**Wang Treadway et al.**

(10) **Patent No.:** **US D620,807 S**  
(45) **Date of Patent:** **\*\* Aug. 3, 2010**

(54) **CONICAL DISPENSER**

(75) Inventors: **Janelle Yurong Wang Treadway**,  
Whittier, CA (US); **Stuart Allan**  
**Karten**, Venice, CA (US); **Christopher**  
**Lee Clark**, Los Angeles, CA (US); **Eric**  
**William Olson**, Los Angeles, CA (US);  
**Donald Carpenter Stiff**, Los Angeles,  
CA (US); **Dennis Lynn Schroeder**, Los  
Angeles, CA (US)

(73) Assignee: **The Procter & Gamble Company**,  
Cincinnati, OH (US)

(\*\*) Term: **14 Years**

(21) Appl. No.: **29/335,766**

(22) Filed: **Apr. 21, 2009**

(51) **LOC (9) Cl.** ..... **09-01**

(52) **U.S. Cl.** ..... **D9/691; D9/689**

(58) **Field of Classification Search** ..... D9/682-694,  
D9/516-575, 723-729, 500-505, 435, 436,  
D9/447-450; 215/379-385; 220/377, 662,  
220/665, 669; 222/129, 135, 153.01, 153.03,  
222/153.04, 153.09, 153.11-153.14, 182,  
222/631, 635, 209, 211-213, 215, 321.7-321.9,  
222/372, 373, 378, 379, 383.1, 384-386,  
222/398, 400.7, 400.8, 401, 402.1-402.25  
See application file for complete search history.

(56) **References Cited**

**U.S. PATENT DOCUMENTS**

D194,716 S \* 2/1963 Edell ..... D9/436  
3,130,877 A \* 4/1964 Miller ..... 222/207  
D198,964 S \* 8/1964 Dash ..... D24/115  
5,038,964 A \* 8/1991 Bouix ..... 222/153.04  
D334,705 S \* 4/1993 Pereira et al. .... D9/689  
D368,425 S \* 4/1996 Newell ..... D9/689  
D373,730 S \* 9/1996 Baron ..... D9/504  
D424,115 S \* 5/2000 Kuboshima ..... D19/66  
6,095,378 A \* 8/2000 Potts et al. .... 222/402.1  
D445,328 S \* 7/2001 Boussiquet et al. .... D9/691

D462,615 S \* 9/2002 Weil ..... D9/504  
D463,262 S \* 9/2002 Gobe ..... D9/689  
D463,285 S \* 9/2002 Hemon ..... D9/524  
D463,735 S \* 10/2002 Gobe ..... D9/689  
RE37,903 E \* 11/2002 Riskin ..... 222/23  
D577,603 S \* 9/2008 Bae ..... D9/690  
2003/0168476 A1 \* 9/2003 Sanchez ..... 222/321.7

\* cited by examiner

*Primary Examiner*—Catherine Tuttle

(74) *Attorney, Agent, or Firm*—Marianne Dressman; Angela  
Marie Stone

(57) **CLAIM**

The ornamental design for a conical dispenser, as shown and  
described.

**DESCRIPTION**

FIG. 1 is a perspective view of the conical dispenser which  
embodies our new design;

FIG. 2 is a front elevational view;

FIG. 3 is a back elevational view;

FIG. 4 is a left side elevational view;

FIG. 5 is a right side elevational view;

FIG. 6 is a top plan view;

FIG. 7 is a bottom plan view;

FIG. 8 is a perspective view of an alternative embodiment of  
our new design;

FIG. 9 is a front elevational view;

FIG. 10 is a back elevational view;

FIG. 11 is a left side elevational view;

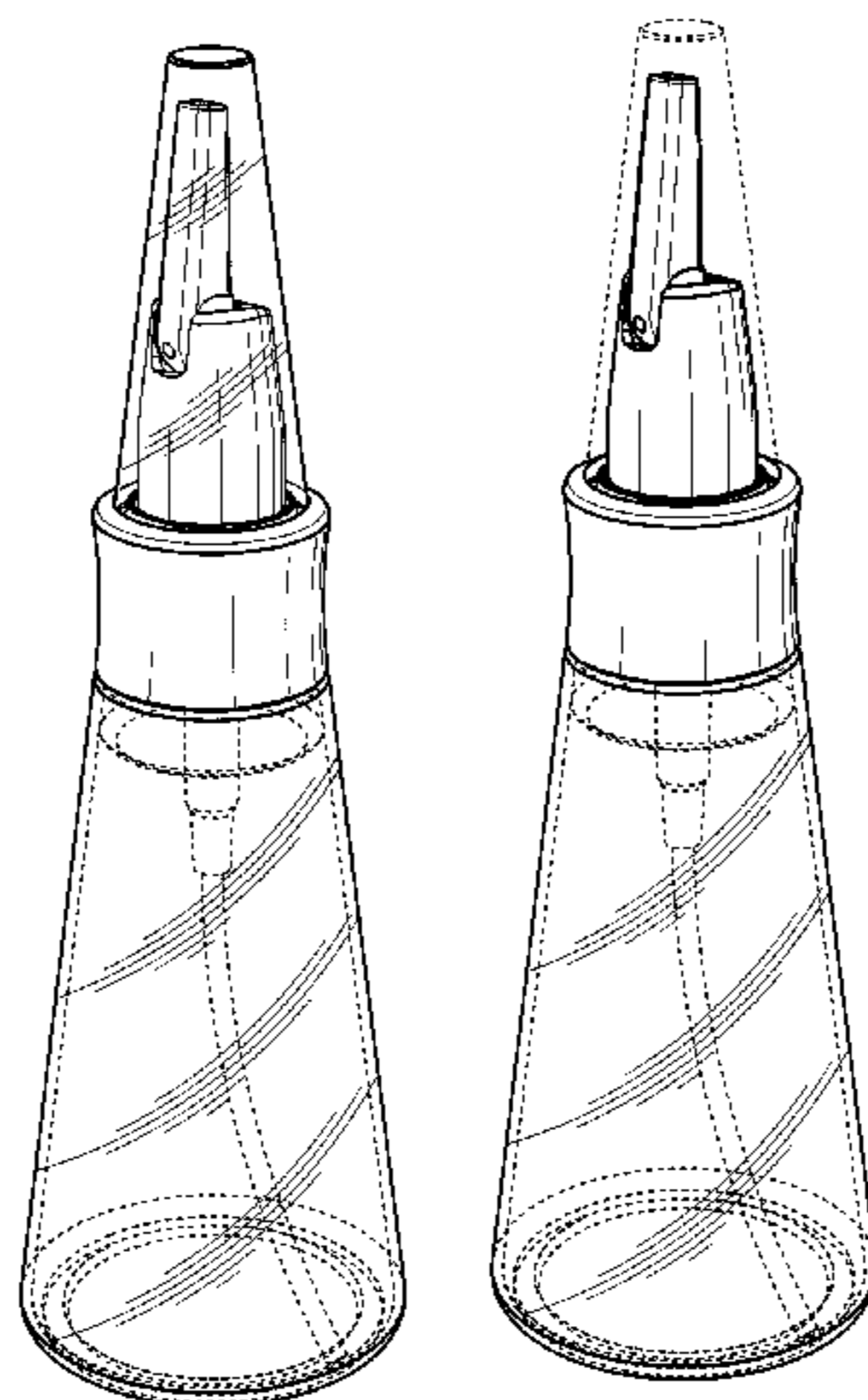
FIG. 12 is a right side elevational view;

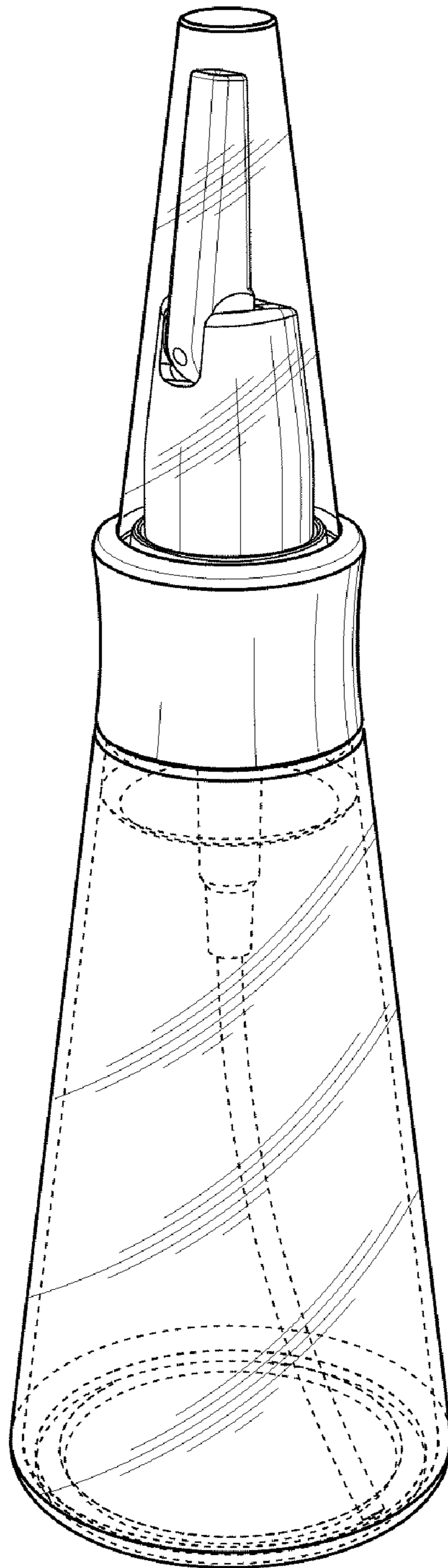
FIG. 13 is a top plan view; and,

FIG. 14 is a bottom plan view.

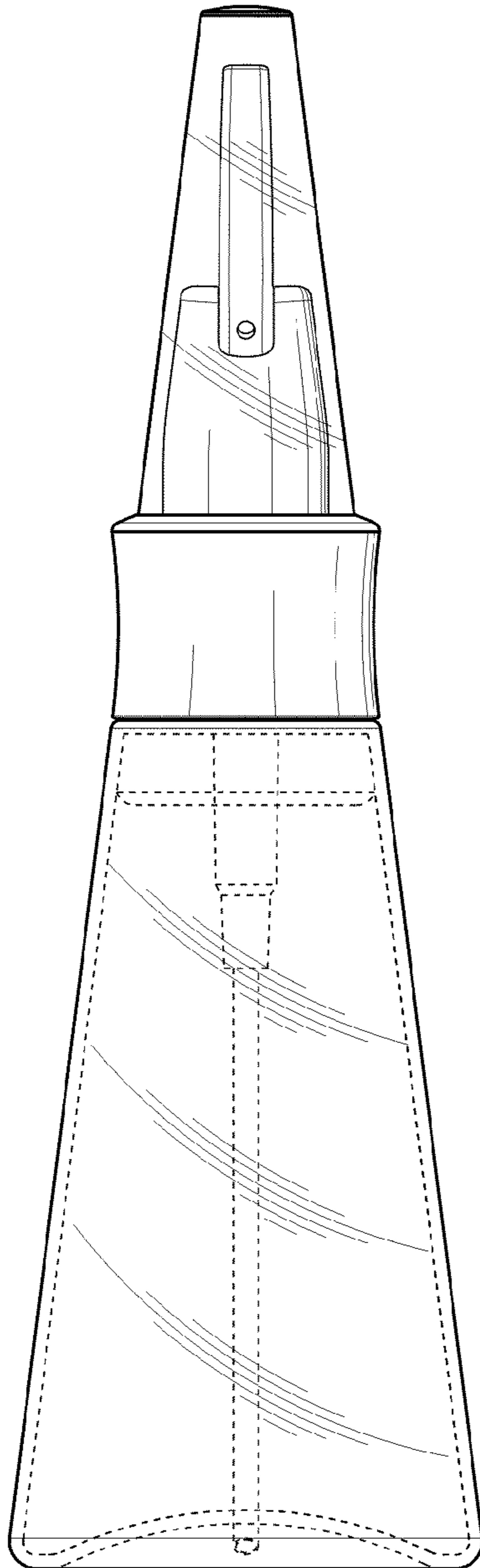
The broken lines are included for the purpose of illustrating  
portions of the dispenser with trigger that form no part of the  
claim to the embodiment in which they are shown.

**1 Claim, 8 Drawing Sheets**

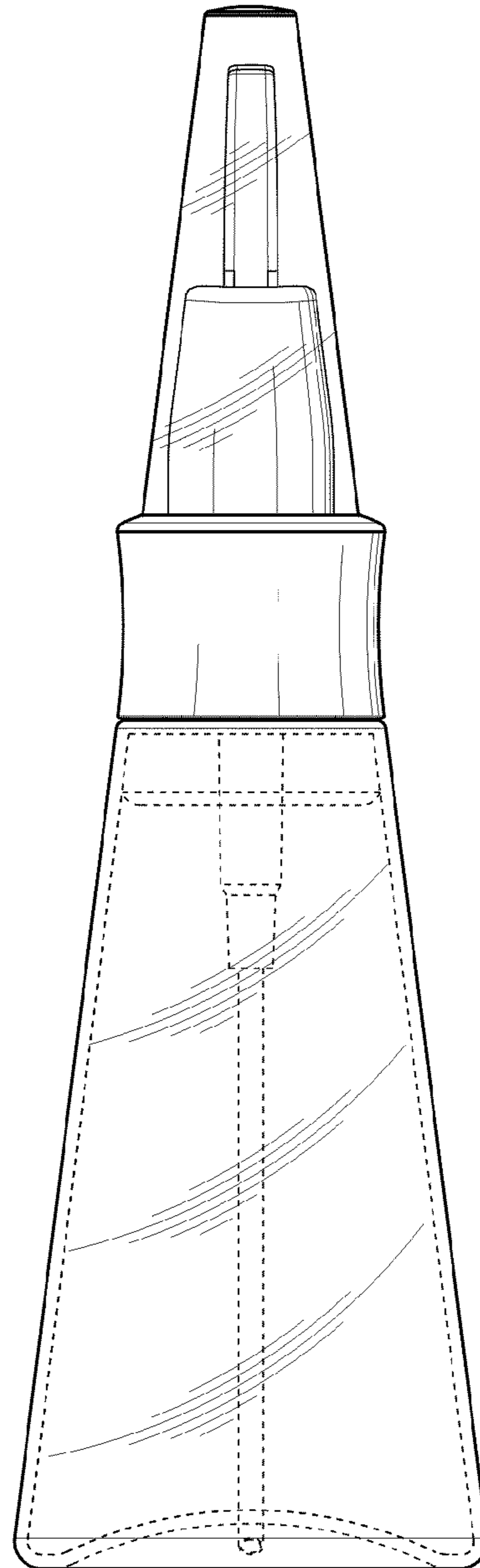




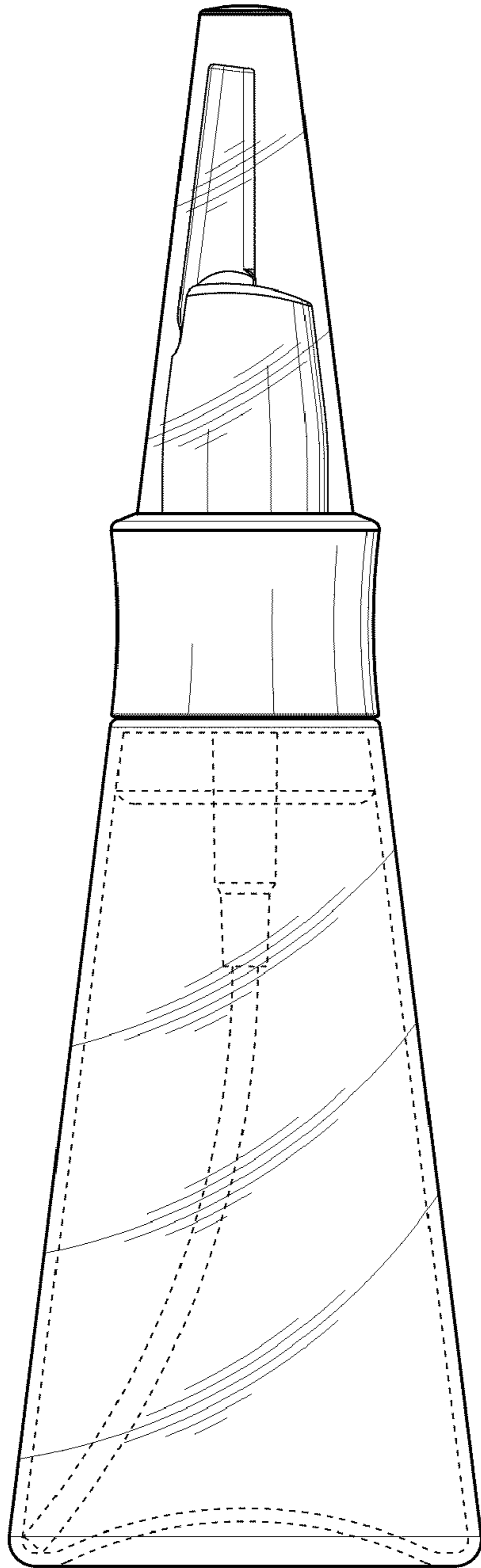
***Fig. 1***



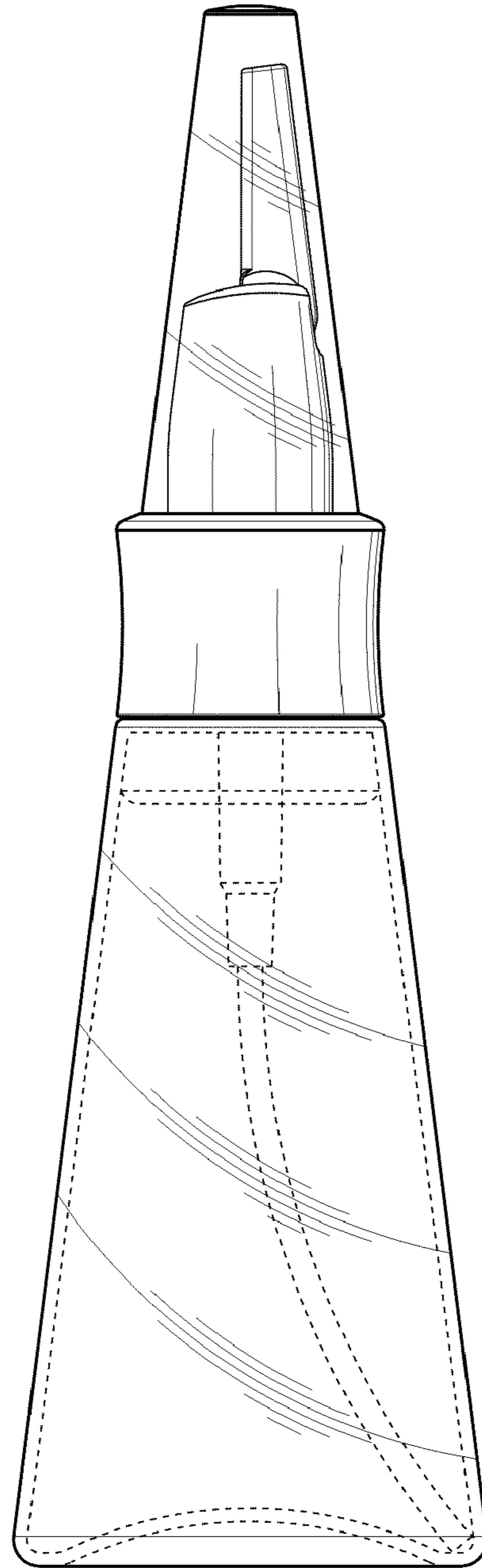
***Fig. 2***



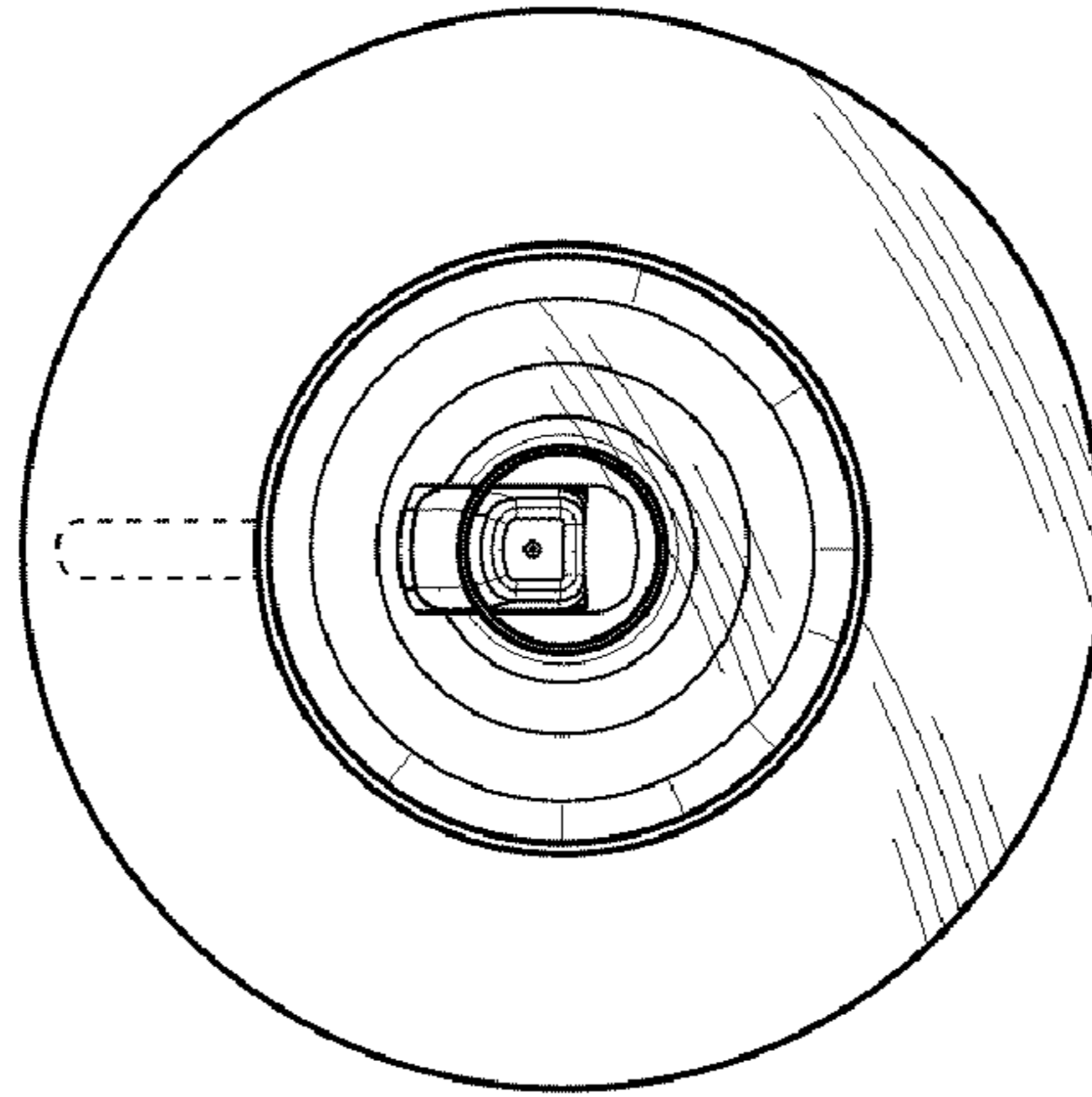
***Fig. 3***



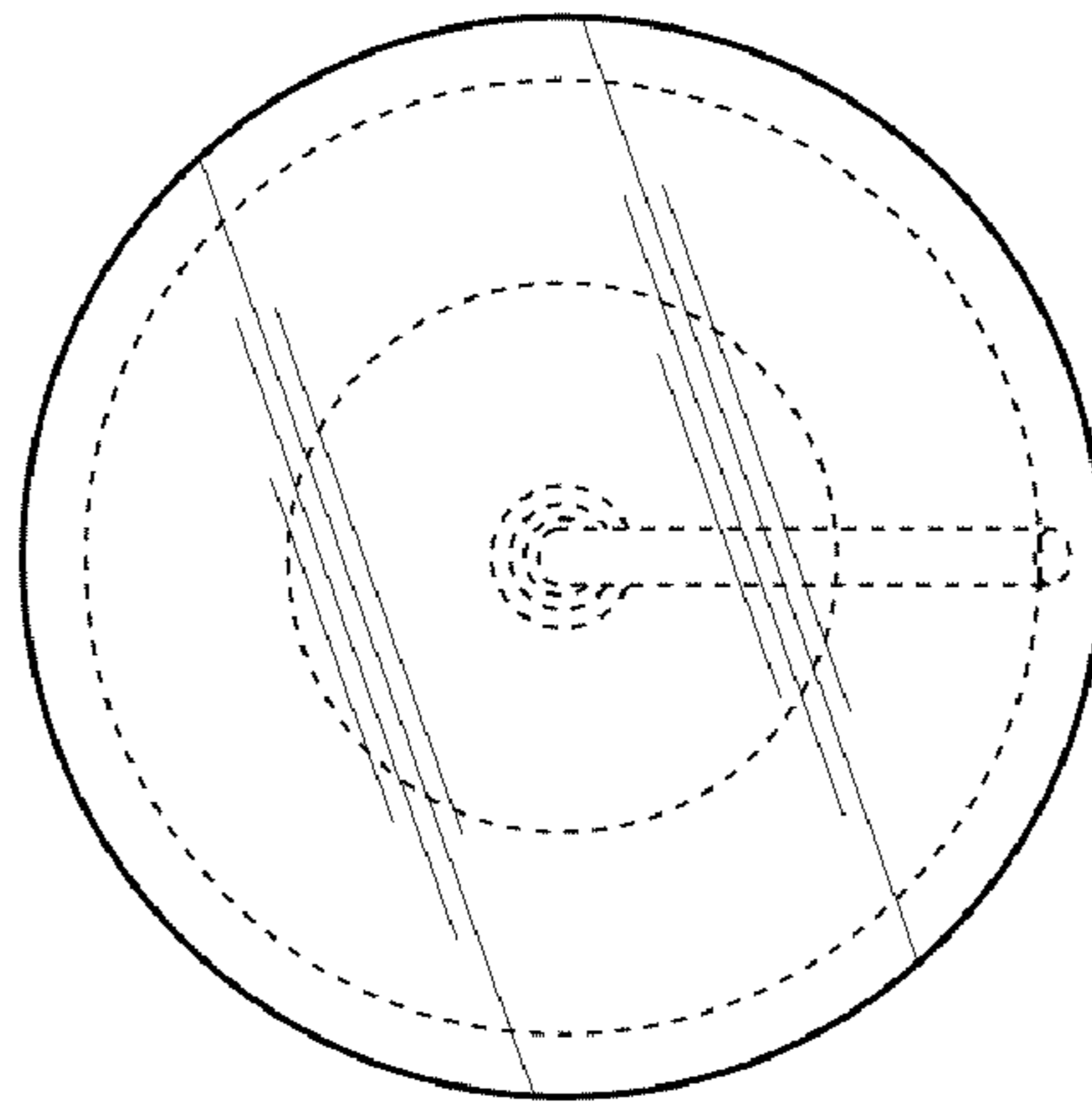
***Fig. 4***



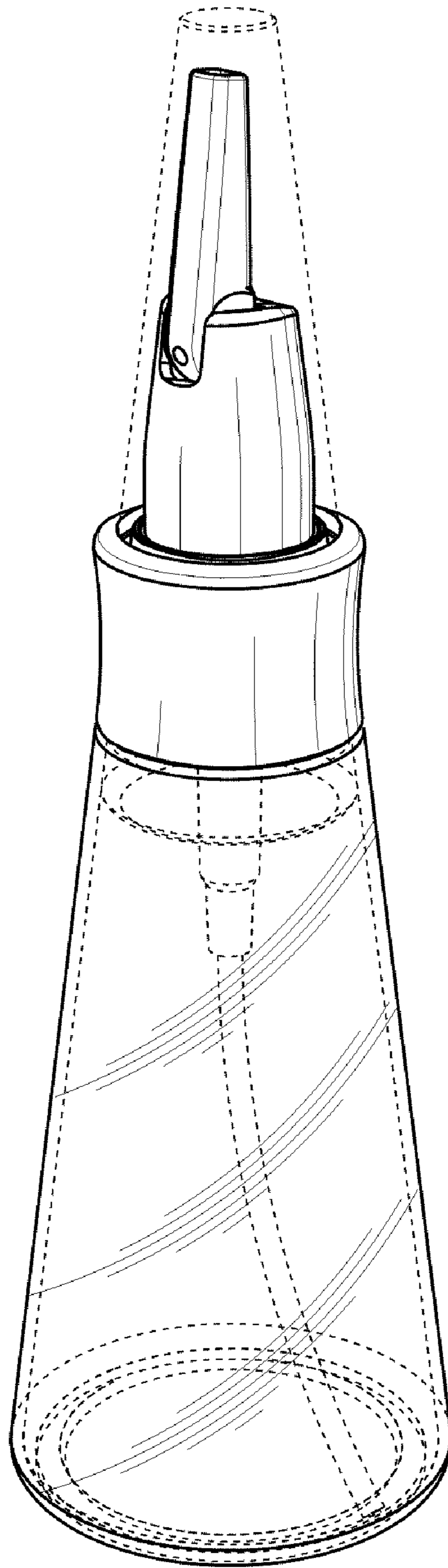
***Fig. 5***



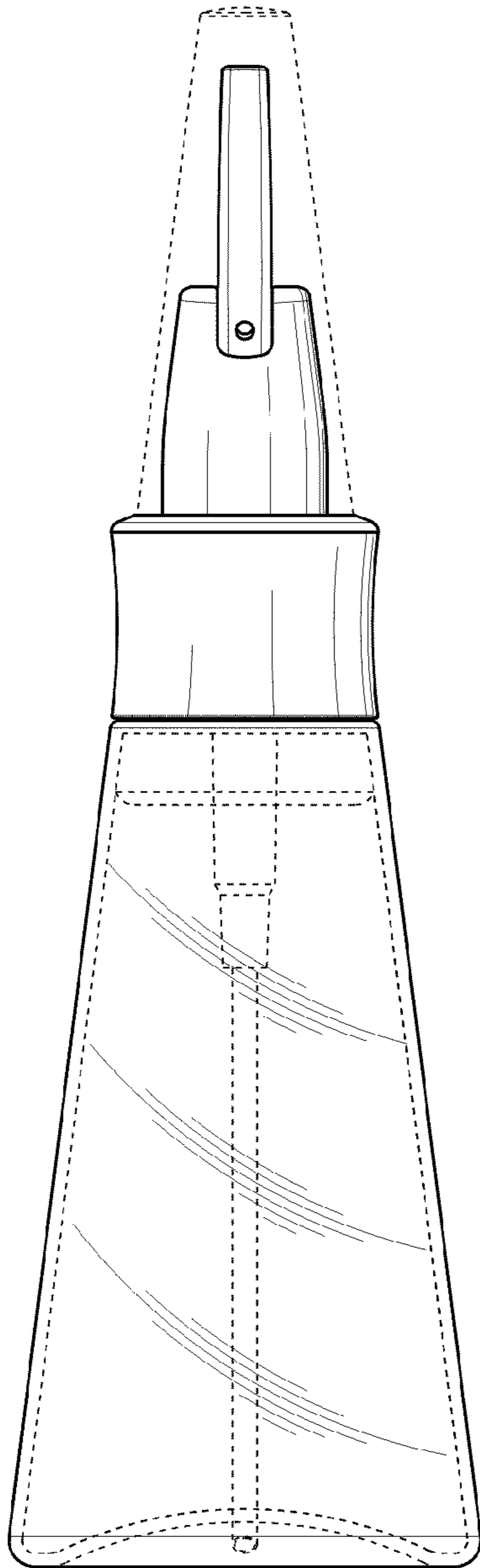
*Fig. 6*



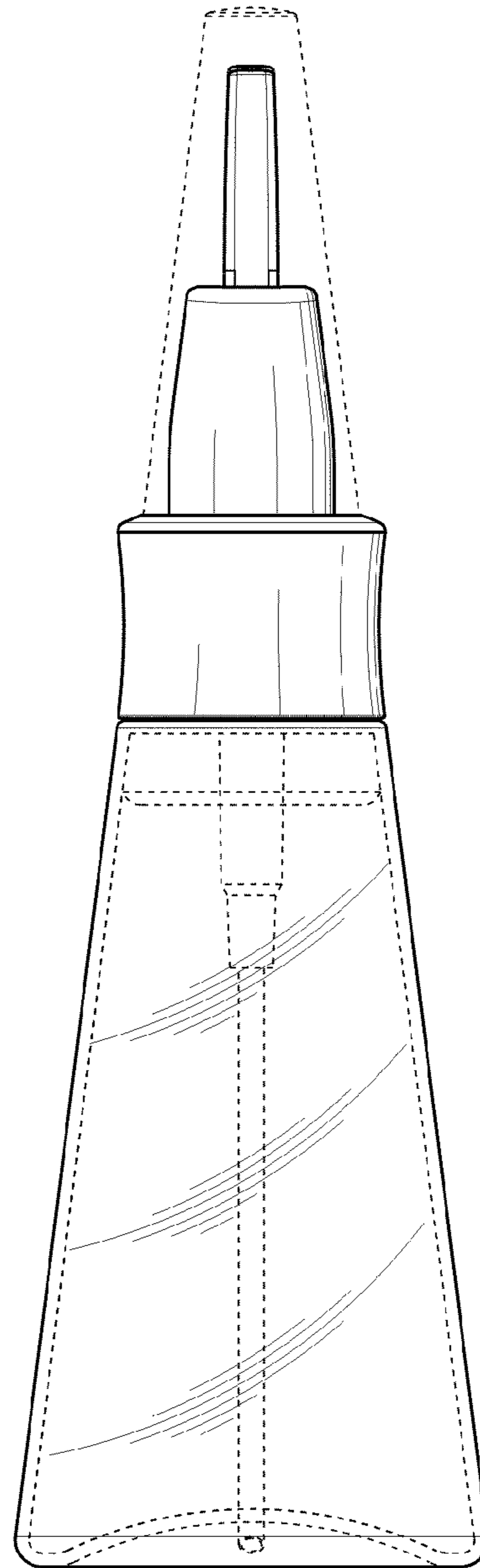
*Fig. 7*



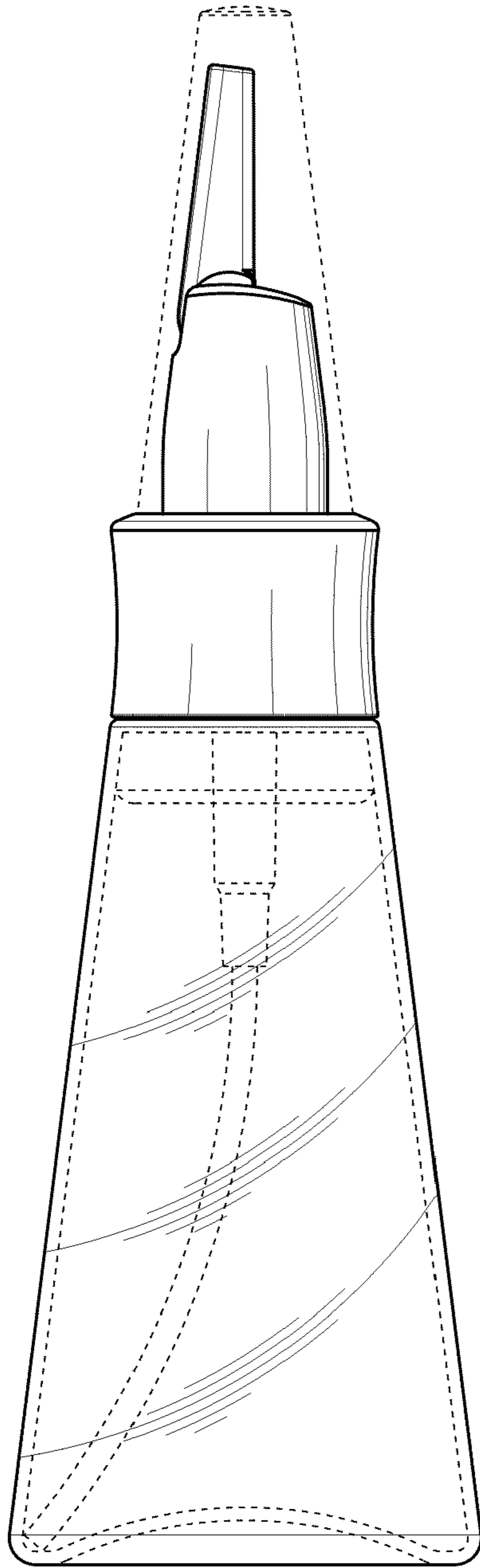
***Fig. 8***



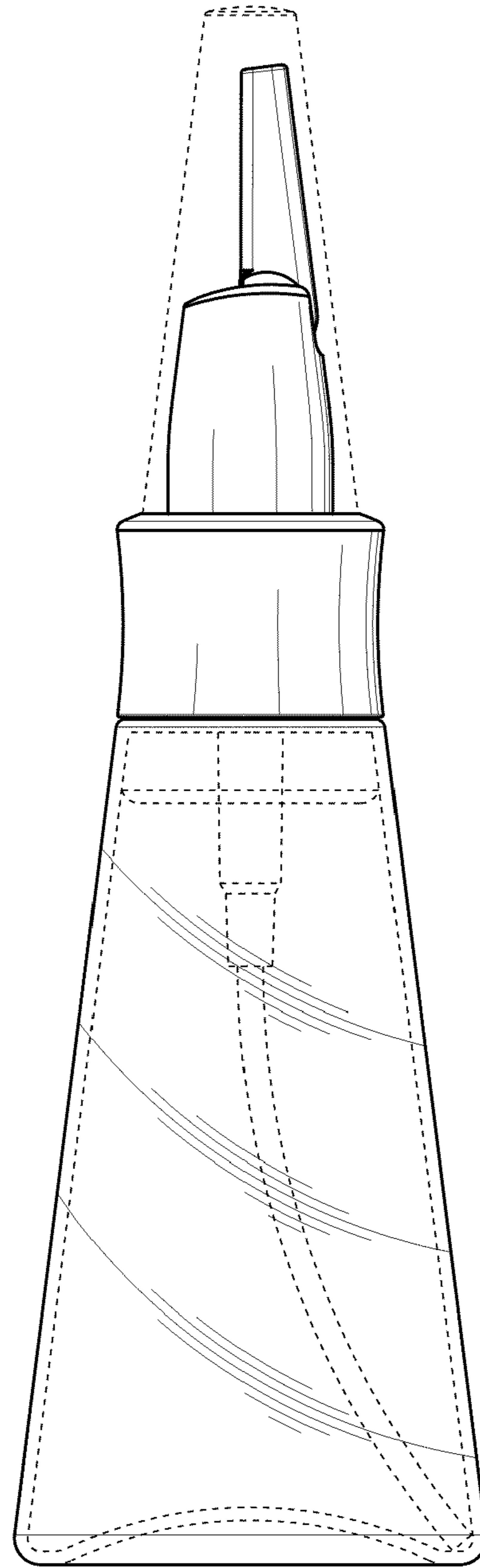
***Fig. 9***



***Fig. 10***

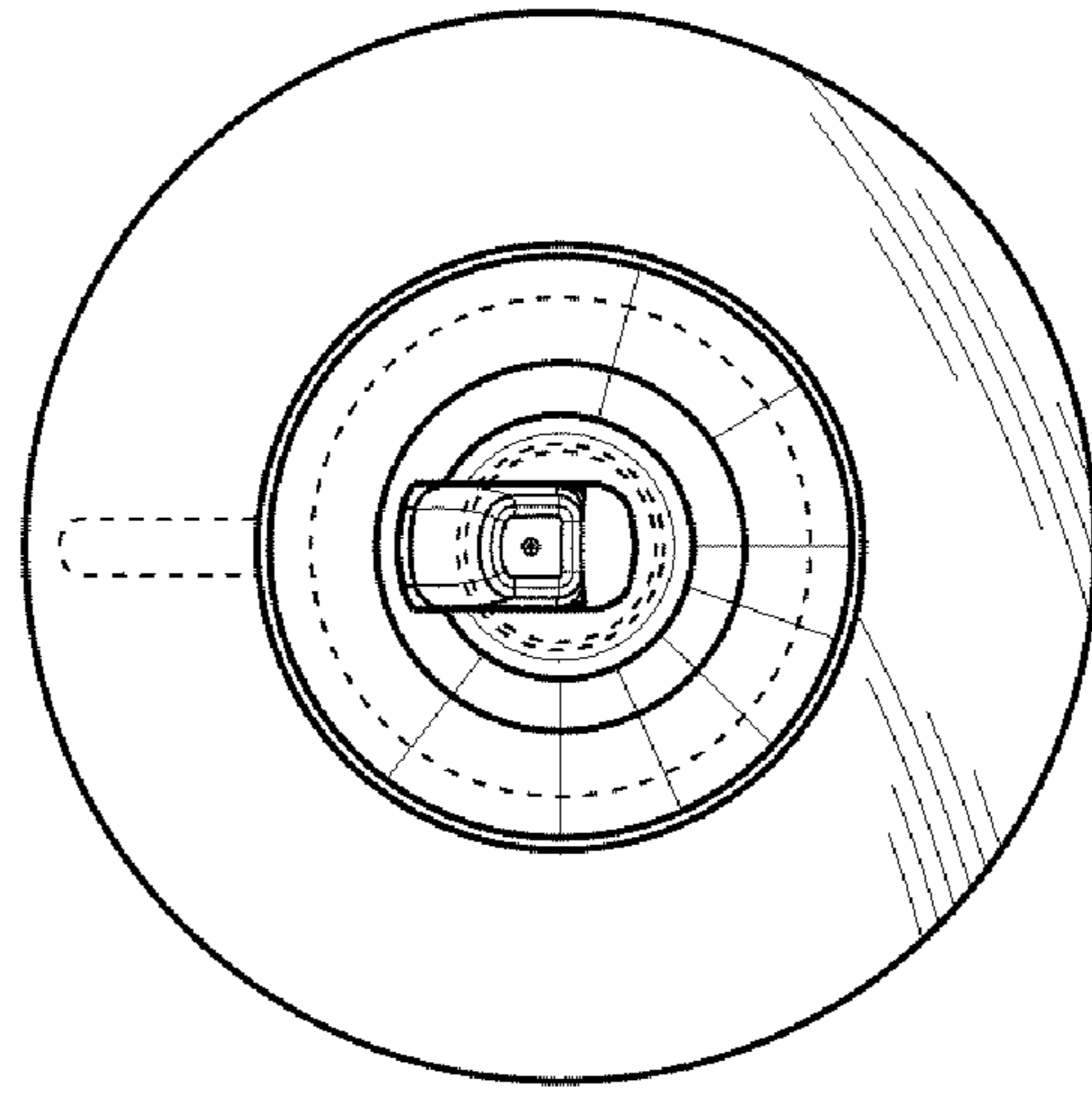


***Fig. 11***

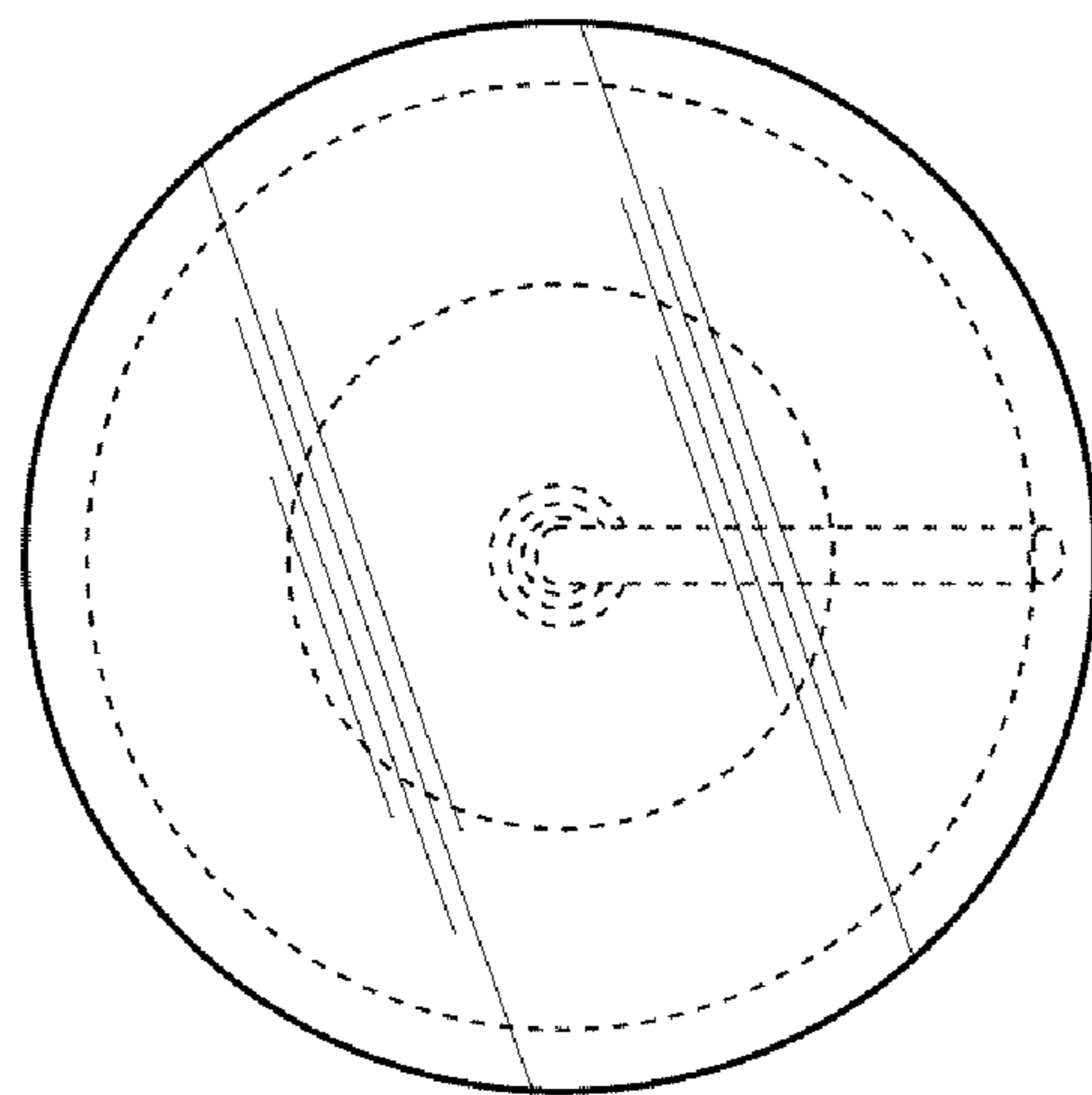


***Fig. 12***





***Fig. 13***



***Fig. 14***