



US00D620806S

(12) **United States Design Patent**
Ferguson et al.

(10) **Patent No.:** **US D620,806 S**

(45) **Date of Patent:** **** Aug. 3, 2010**

(54) **CONTAINER BODY PORTION**

(75) Inventors: **Gary Ferguson**, Tallmadge, OH (US);
James C. Dorn, Norton, OH (US)

(73) Assignee: **Plastipak Packaging, Inc.**, Plymouth,
MI (US)

(**) Term: **14 Years**

(21) Appl. No.: **29/355,983**

(22) Filed: **Feb. 18, 2010**

(51) **LOC (9) Cl.** **09-01**

(52) **U.S. Cl.** **D9/683; D9/528; D9/564;**
D9/570

(58) **Field of Classification Search** D9/516,
D9/523, 525, 526, 530, 531, 541, 543, 559,
D9/560, 564, 569, 570, 575; 215/381-385
See application file for complete search history.

(56) **References Cited**

U.S. PATENT DOCUMENTS

D205,166 S *	6/1966	Halm	D9/527
D248,829 S *	8/1978	Anderson	D9/523
D248,830 S *	8/1978	Anderson	D9/523
D294,557 S *	3/1988	Jones	D9/524
D296,668 S *	7/1988	Stavish	D9/520
D303,084 S *	8/1989	Sedam et al.	D9/520
D304,296 S *	10/1989	Wilson et al.	D9/526
D321,320 S *	11/1991	Halm	D9/526
D342,674 S *	12/1993	Schollen et al.	D9/520
D358,548 S *	5/1995	Platte	D9/527
D382,061 S *	8/1997	Mathis et al.	D24/224
D382,204 S *	8/1997	Beaver	D9/523
D461,402 S *	8/2002	Soehnlén et al.	D9/683

D461,711 S *	8/2002	Soehnlén et al.	D9/683
D467,806 S *	12/2002	Baron et al.	D9/520
D475,297 S *	6/2003	Drabek et al.	D9/524
D485,189 S *	1/2004	Montalbano et al.	D9/528
D493,724 S *	8/2004	Higuchi	D9/683
D514,940 S *	2/2006	Darr et al.	D9/527
D514,941 S *	2/2006	Darr et al.	D9/528
D515,931 S *	2/2006	Lintermans et al.	D9/524
D517,415 S *	3/2006	Murphy	D9/528
D583,252 S *	12/2008	Lafond et al.	D9/683
D609,102 S *	2/2010	Matlin	D9/531

* cited by examiner

Primary Examiner—Stella M Reid

Assistant Examiner—Elizabeth J Oswecki

(74) *Attorney, Agent, or Firm*—Mario A. Tabone

(57) **CLAIM**

The ornamental design for container body portion, as shown and described.

DESCRIPTION

FIG. 1 is a top-front-left perspective view of a container body portion showing our new design;

FIG. 2 is a left side elevational view thereof;

FIG. 3 is a right side elevational view thereof;

FIG. 4 is a rear elevational view thereof;

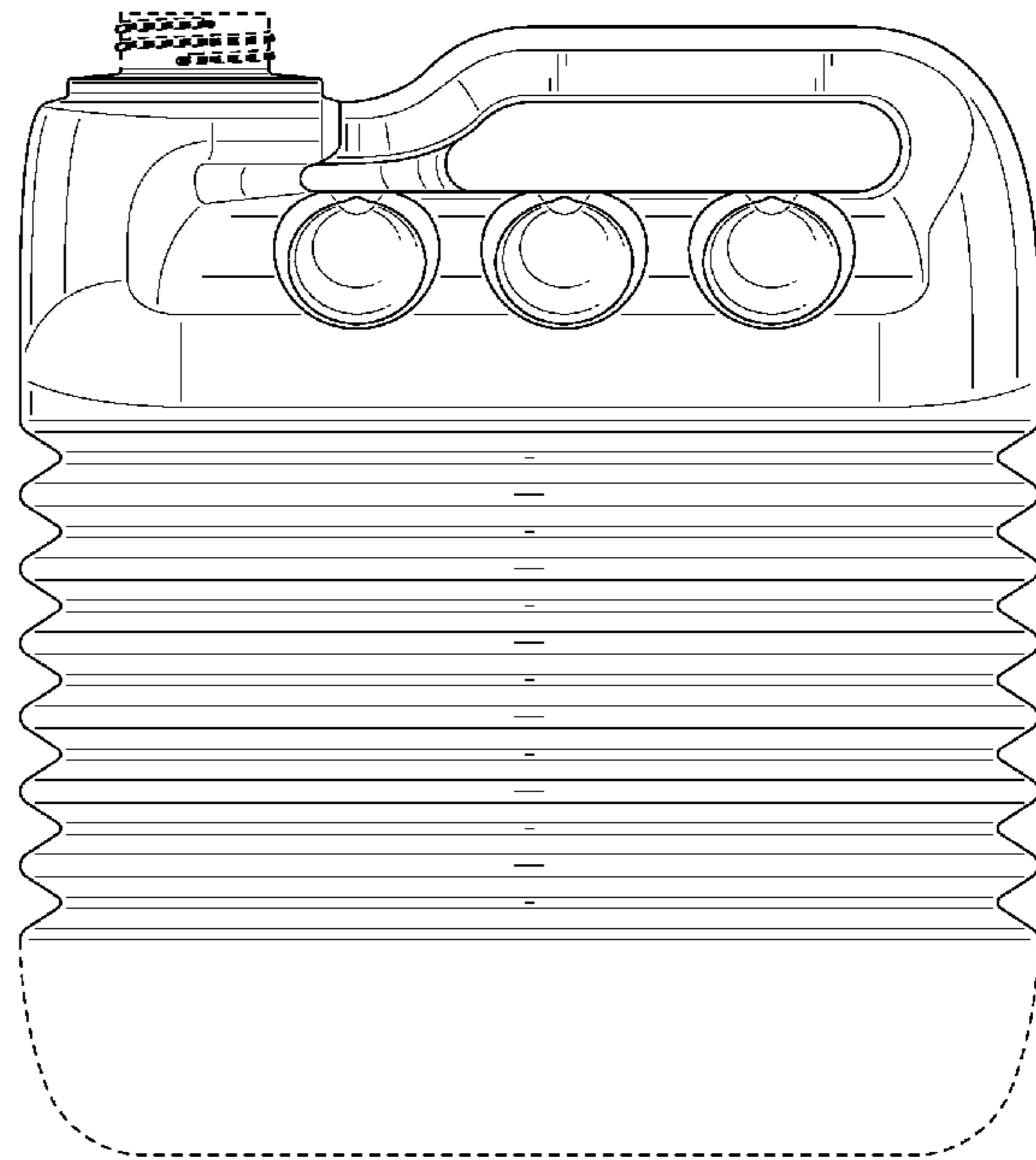
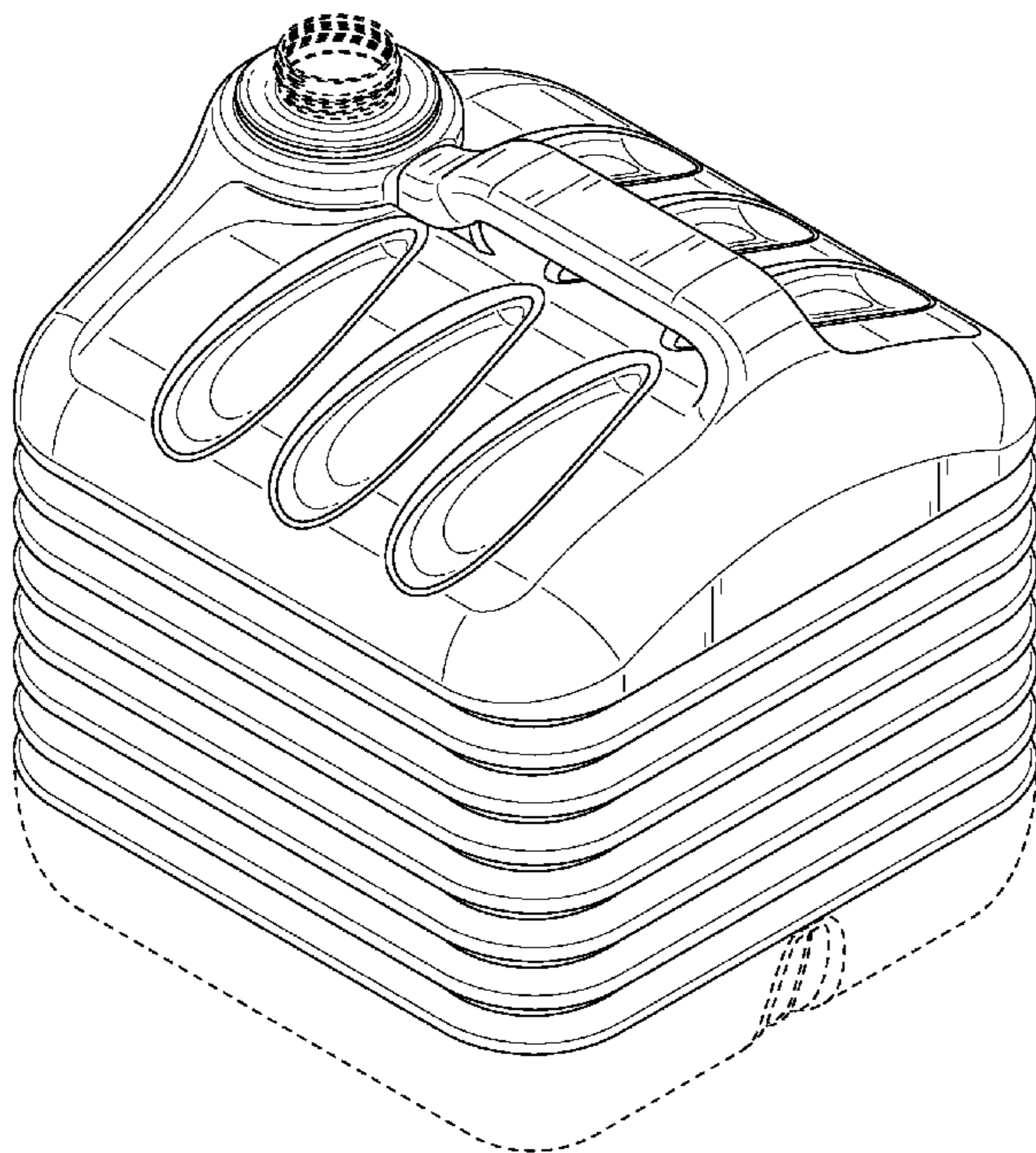
FIG. 5 is a front elevational view thereof;

FIG. 6 is a top plan view thereof; and,

FIG. 7 is a bottom plan view thereof.

The broken lines shown in the drawing views are for environmental purposes only and form no part of the claimed design.

1 Claim, 7 Drawing Sheets



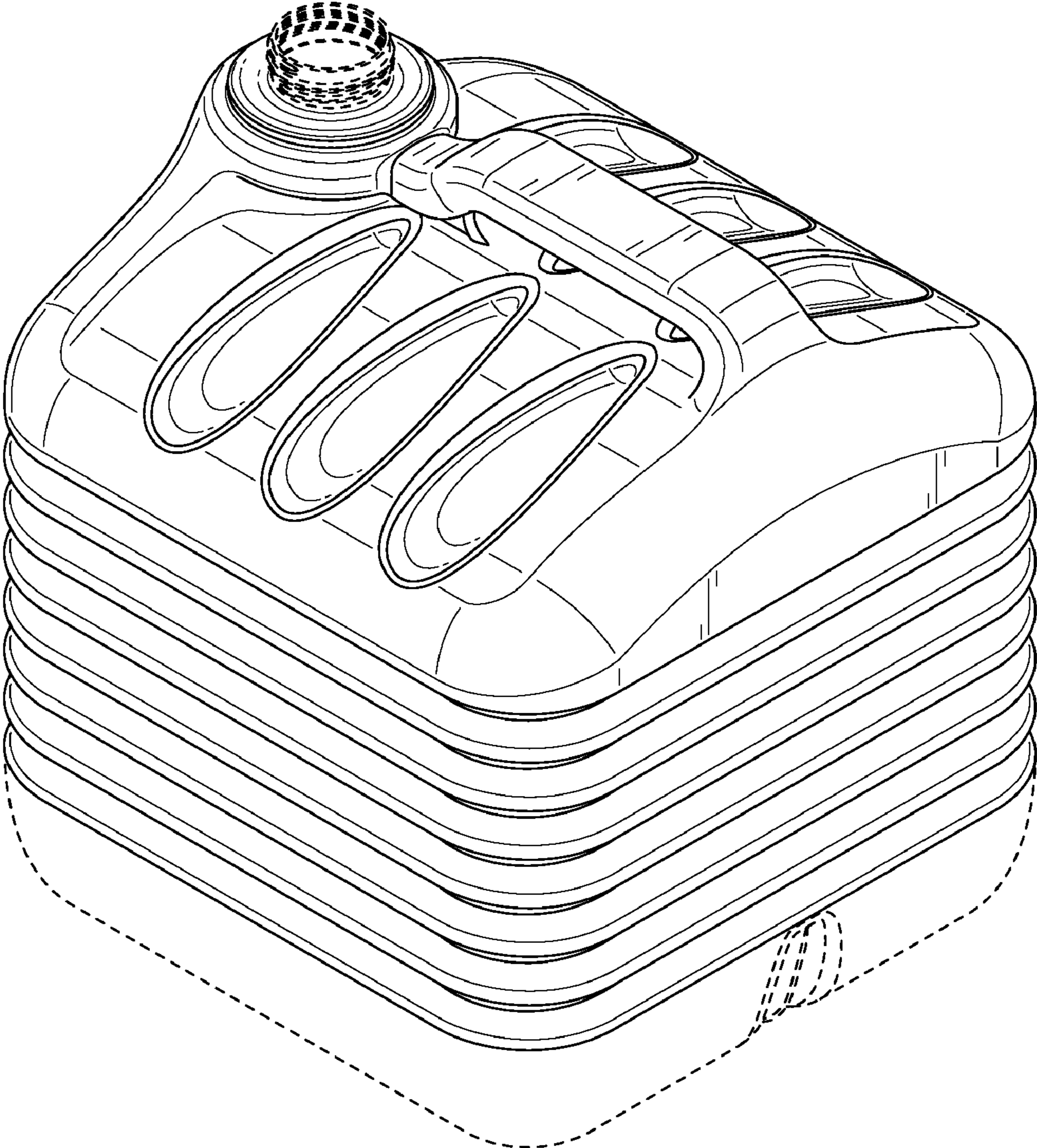


FIG. 1

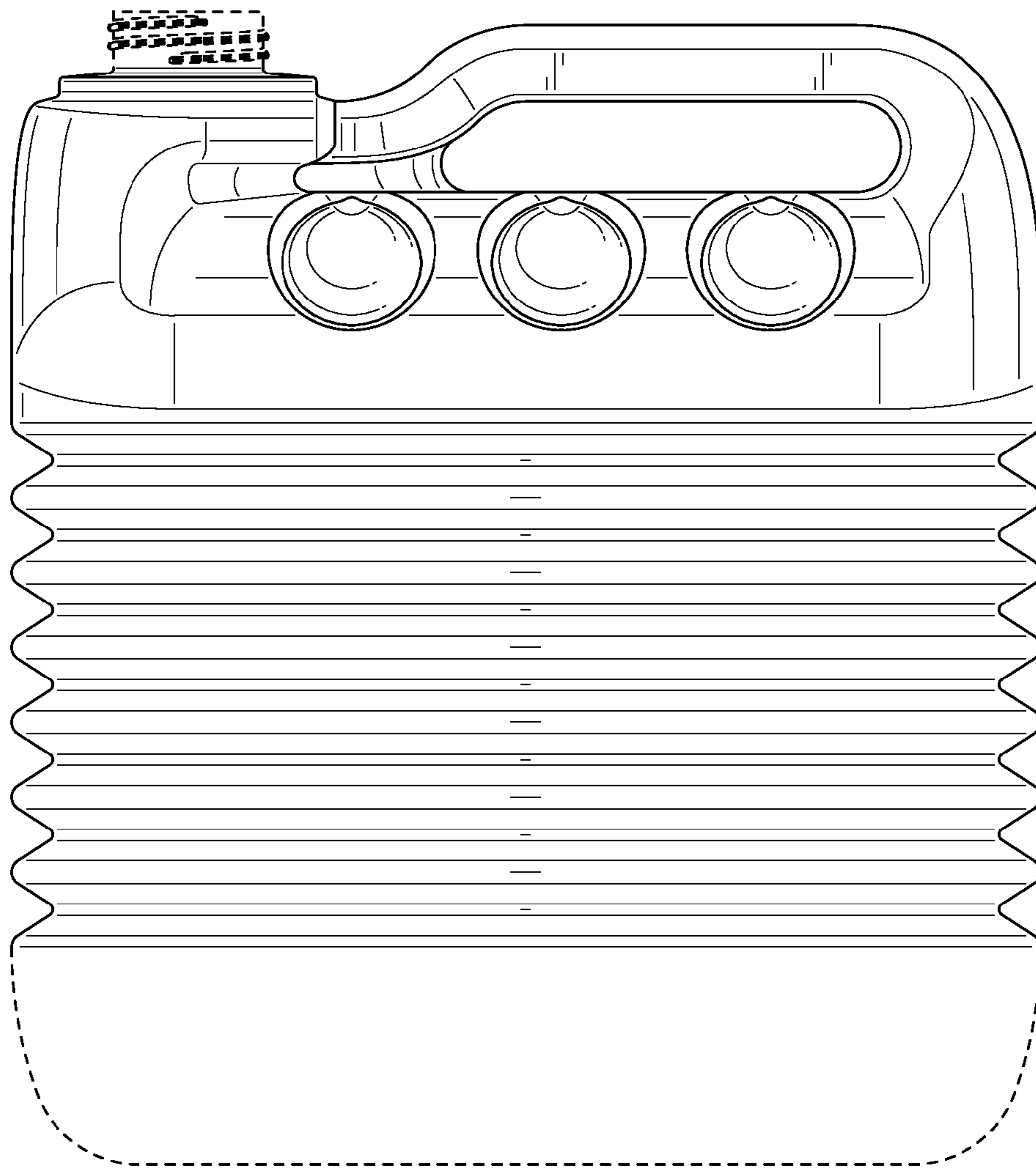


FIG. 2

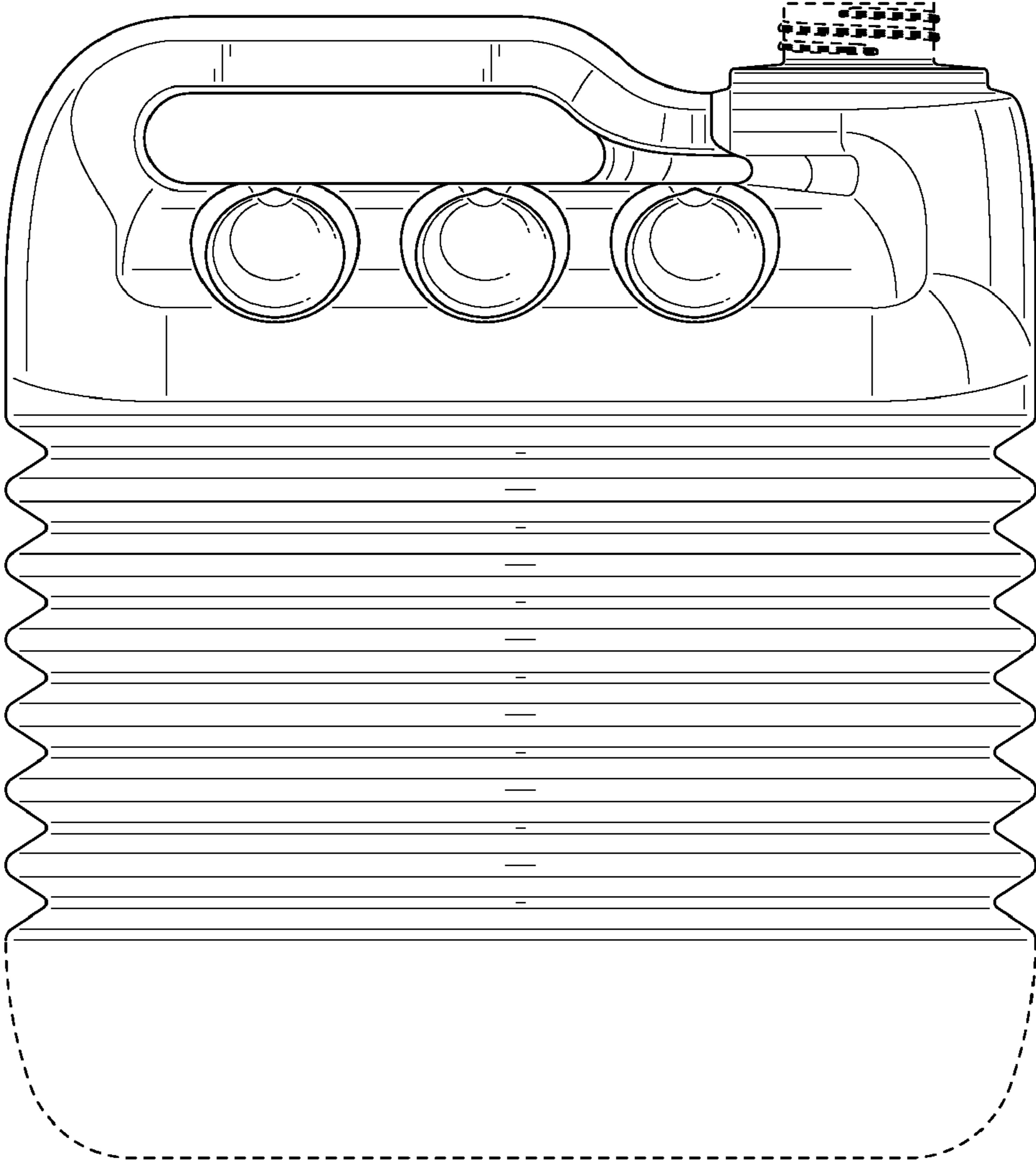


FIG. 3

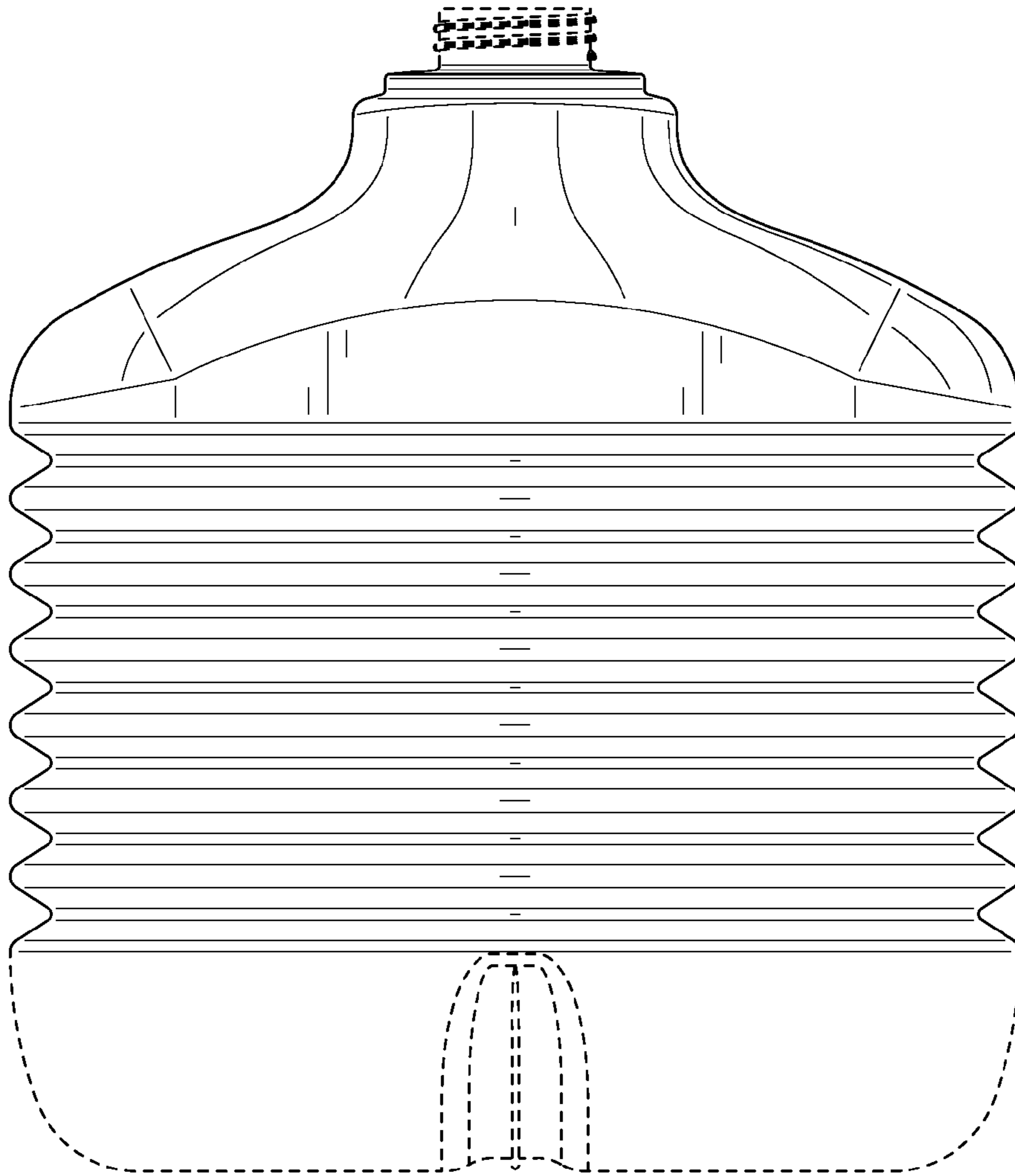


FIG. 4

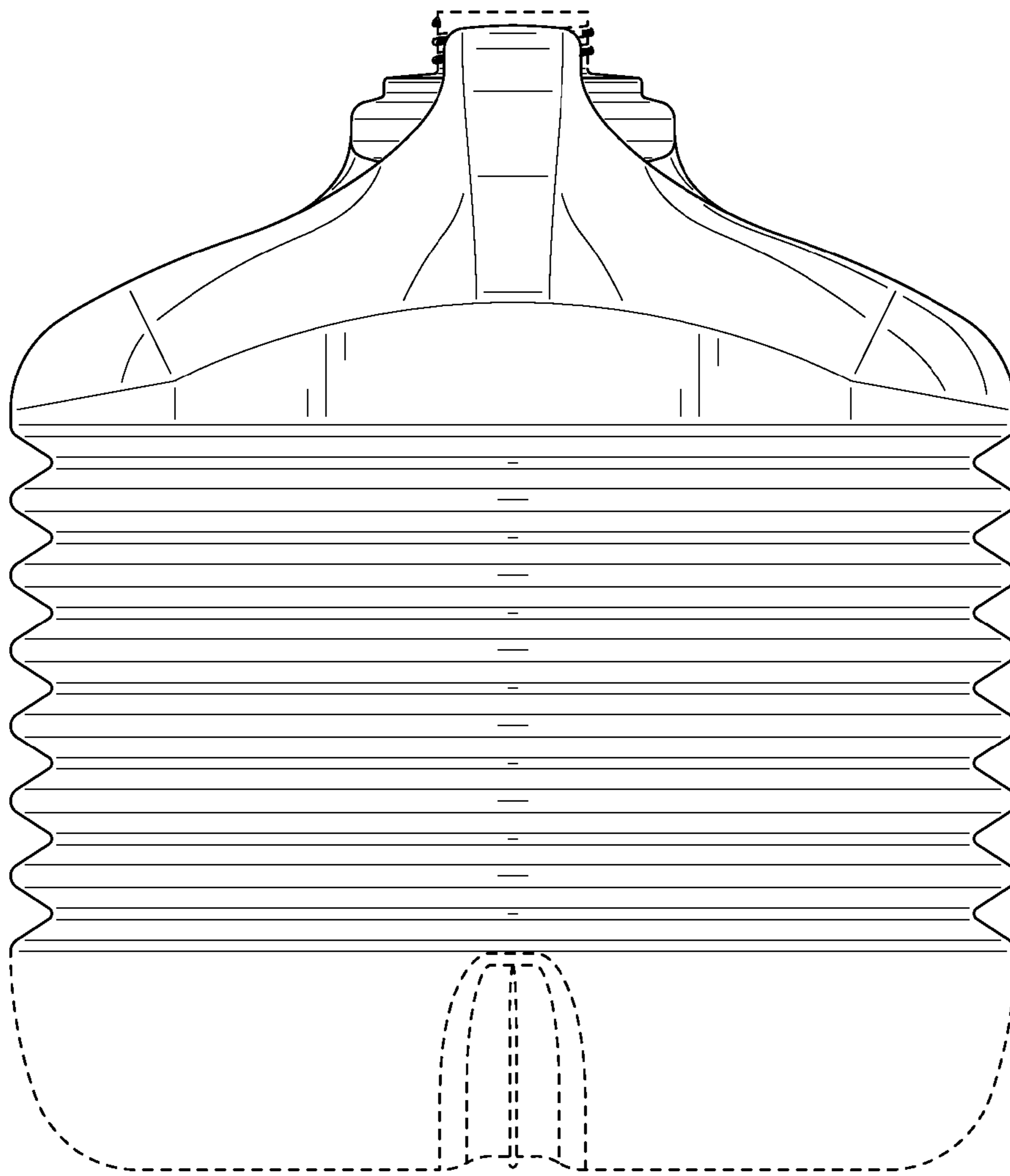


FIG. 5

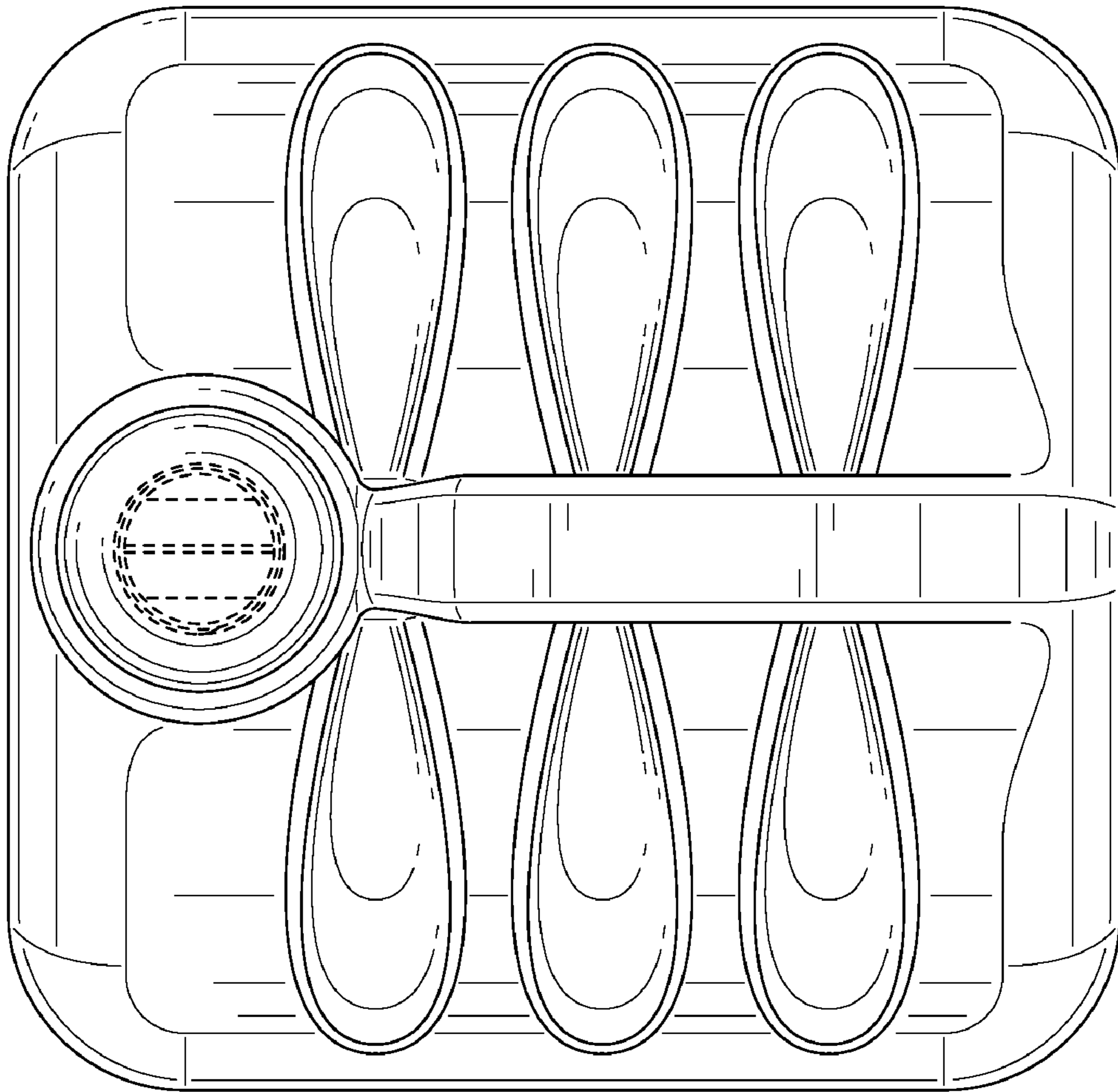


FIG. 6

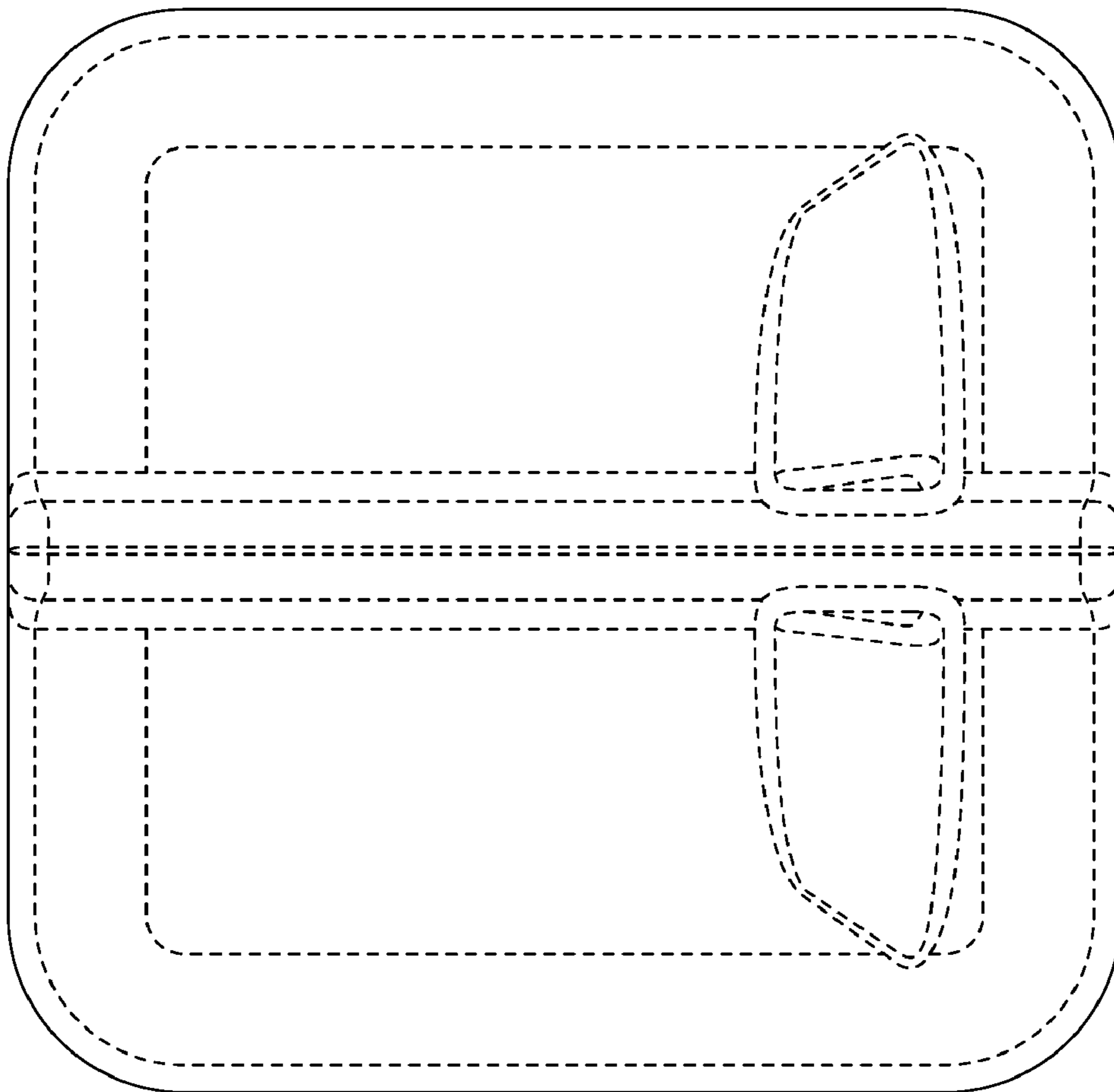


FIG. 7