



US00D620804S

(12) **United States Design Patent**
Bogert et al.

(10) **Patent No.:** **US D620,804 S**
(45) **Date of Patent:** **** Aug. 3, 2010**

(54) **FRAGRANCE BOTTLE AND CAP**

D537,725 S * 3/2007 Varlet D9/544
D542,670 S * 5/2007 Herrmann D9/560
D546,192 S * 7/2007 Faillant Dumas D9/571
D574,257 S 8/2008 Zeidan

(75) Inventors: **Elizabeth Bogert**, Croton on Hudson, NY (US); **Lance Colin McGregor**, Brooklyn, NY (US); **Jin Chung**, New York, NY (US)

(73) Assignee: **Christian Casey LLC**, New York, NY (US)

(Continued)

FOREIGN PATENT DOCUMENTS

(**) Term: **14 Years**

AU 119118 12/1993

(21) Appl. No.: **29/352,079**

(22) Filed: **Dec. 16, 2009**

(Continued)

(51) **LOC (9) Cl.** **09-01**

OTHER PUBLICATIONS

(52) **U.S. Cl.** **D9/544**; D9/439; D9/559; D9/573

<http://www.gnpd.com>; Mintel gnpd; Record ID: 998731; Stella McCartney Parfums; Stella by Stella McCartney; Fragrances; Women's Fragrances; USA; Nov. 2008.

(58) **Field of Classification Search** D9/434, D9/435, 439, 516, 520, 529, 544, 546, 559, D9/560, 566, 568, 573, 574, 682, 686, 687, D9/694; 215/381-385; 220/660, 662, 665

See application file for complete search history.

Primary Examiner—Stella M Reid

Assistant Examiner—Elizabeth J Oswecki

(74) *Attorney, Agent, or Firm*—Cynthia R. Miller

(56) **References Cited**

(57) **CLAIM**

U.S. PATENT DOCUMENTS

The ornamental design for a fragrance bottle and cap, substantially as shown and described.

- D45,375 S * 3/1914 Dunnock D9/658
- D61,829 S * 1/1923 Javal D9/544
- D76,142 S * 8/1928 Liddel D9/544
- D81,633 S * 7/1930 Wagner D9/520
- D94,786 S * 3/1935 Stein D9/566
- D107,966 S * 1/1938 Stein D9/544
- D141,775 S * 7/1945 McIntosh D9/544
- D143,657 S 1/1946 Graham
- D243,066 S * 1/1977 Halsted et al. D9/564
- D324,820 S * 3/1992 Hayman et al. D9/544
- D420,596 S 2/2000 Maddy
- D474,693 S * 5/2003 Gruosi-Scheufele D9/544
- D484,790 S * 1/2004 Sgariboldi D9/694
- D519,844 S 5/2006 Mansau
- D530,211 S 10/2006 Lloyd
- D531,911 S 11/2006 Lloyd
- D532,696 S * 11/2006 Boudard D9/544
- D536,259 S * 2/2007 Herrmann D9/573

DESCRIPTION

FIG. 1 is a top, front and right side perspective view of a fragrance bottle and cap showing our new design;

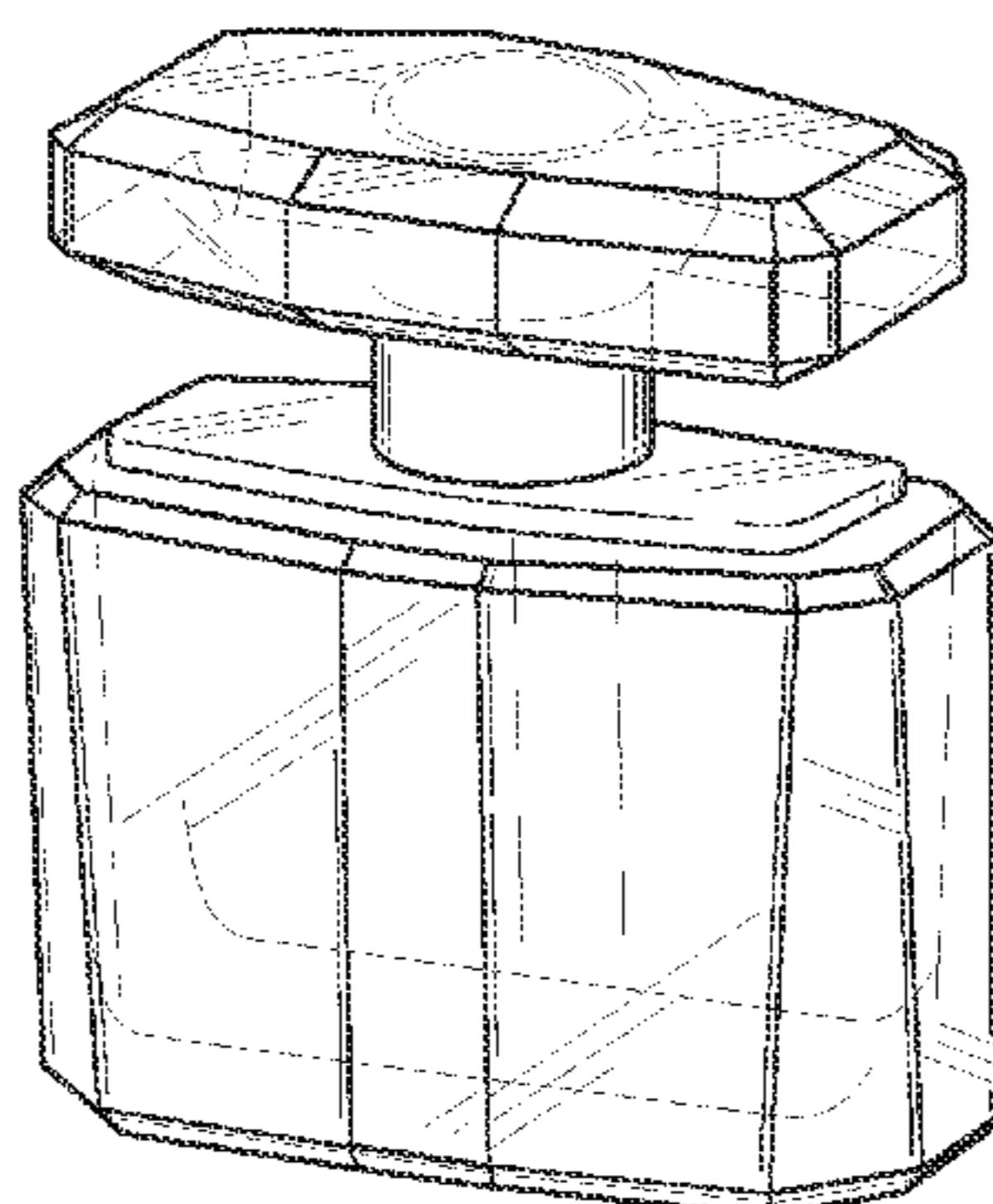
FIG. 2 is a top plan view thereof;

FIG. 3 is a front elevation view thereof, the rear elevation view being a mirror image thereof;

FIG. 4 is a side elevation view thereof, the opposite side elevation view being a mirror image thereof; and,

FIG. 5 is a bottom plan view thereof.

1 Claim, 2 Drawing Sheets



US D620,804 S

U.S. PATENT DOCUMENTS

D576,052	S	*	9/2008	Lloyd et al.	D9/694
D585,754	S		2/2009	McGregor et al.	
D587,596	S	*	3/2009	Lloyd	D9/694
D600,133	S	*	9/2009	Friedman et al.	D9/560
D604,629	S	*	11/2009	Aebi	D9/544
D606,415	S	*	12/2009	Lavigne et al.	D9/546

FOREIGN PATENT DOCUMENTS

AU	152851	8/2003
AU	300511	1/2005
AU	315242	7/2007
AU	325496	3/2009
AU	327645	9/2009
AU	327646	9/2009
AU	327647	9/2009
EM	50141-6	7/2003
EM	266655-2	12/2004
EM	569884-1	8/2006
EM	656657-1	1/2007
EM	656657-2	1/2007
EM	656657-3	1/2007
EM	656657-4	1/2007
EM	656657-5	1/2007
EM	29194-1	5/2008
EM	975602-2	7/2008
EM	988019-1	8/2008
EM	988019-2	8/2008
EM	83837-2	10/2008
EM	1099493-1	2/2009
EM	1099493-2	2/2009
HK	0310797.4M001	8/2003
HK	0411912.1M005	10/2004
HK	0412349.7	1/2005
HK	0501287.3	8/2005
HK	0701232.9	8/2007
HK	0701432.3M001	8/2007
HK	0701432.3M002	8/2007
HK	0800604.9M001	4/2008
HK	0802094.7M001	10/2008
HK	0802094.7M002	10/2008
MY	UK 01/0428	7/1996
MY	UK 01/0632	11/1996
MY	00-00101	9/1999
MY	01-00249	11/2000
MY	01-00617	5/2001
MY	04-00730	6/2004
TW	246317	4/1995
TW	274026	4/1996
TW	300826	3/1997
TW	305716	5/1997
TW	468960	12/2001
TW	562627	11/2003
TW	D105465	7/2005
TW	D106206	8/2005
TW	D107086	10/2005
TW	D109543	3/2006
TW	D122926	5/2008
TW	D127091	1/2009
TW	D129818	7/2009

TW	D129819	7/2009
TW	D130938	9/2009
TW	D130939	9/2009
VE	D001912	1/1992
VE	G005853	11/2001
VE	D004562	6/2002
WO	DM/003253	12/1983
WO	DM/004579	12/1984
WO	DM/005398	6/1985
WO	DM/006110	11/1985
WO	DM/006238	12/1985
WO	DM/009199	8/1987
WO	DM/011294	7/1988
WO	DM/010854	8/1988
WO	DM/012679	1/1989
WO	DM/013792	6/1989
WO	DM/018000	12/1989
WO	DM/017749	10/1990
WO	DM/023756	10/1991
WO	DM/023524	3/1992
WO	DM/022639	4/1992
WO	DM/022681	4/1992
WO	DM/022788	5/1992
WO	DM/022841	5/1992
WO	DM/024302	10/1992
WO	DM/027462	11/1992
WO	DM/026410	6/1993
WO	DM/027029	8/1993
WO	DM/027893	11/1993
WO	DM/028954	3/1994
WO	DM/029010	3/1994
WO	DM/037964	10/1996
WO	DM/038736	1/1997
WO	DM/040264	5/1997
WO	DM/042992	2/1998
WO	DM/049098	11/1999
WO	DM/049392	12/1999
WO	DM/050318	3/2000
WO	DM/053156	11/2000
WO	DM/054858	3/2001
WO	DM/056694	8/2001
WO	DM/058873	3/2002
WO	DM/059582	5/2002
WO	DM/063814	7/2003
WO	DM/063943	8/2003
WO	DM/064332	10/2003
WO	DM/065115	4/2004
WO	DM/065356	11/2004
WO	DM/065442	12/2004
WO	DM/067141	12/2005
WO	DM/067608	4/2006
WO	DM/067372	6/2006
WO	DM/068554	3/2007
WO	DM/061531	8/2007
WO	DM/066868	10/2007
WO	DM/069400	11/2007
WO	DM/069728	3/2008
WO	DM/070289	7/2008
WO	DM/070531	9/2008

* cited by examiner

FIG. 1

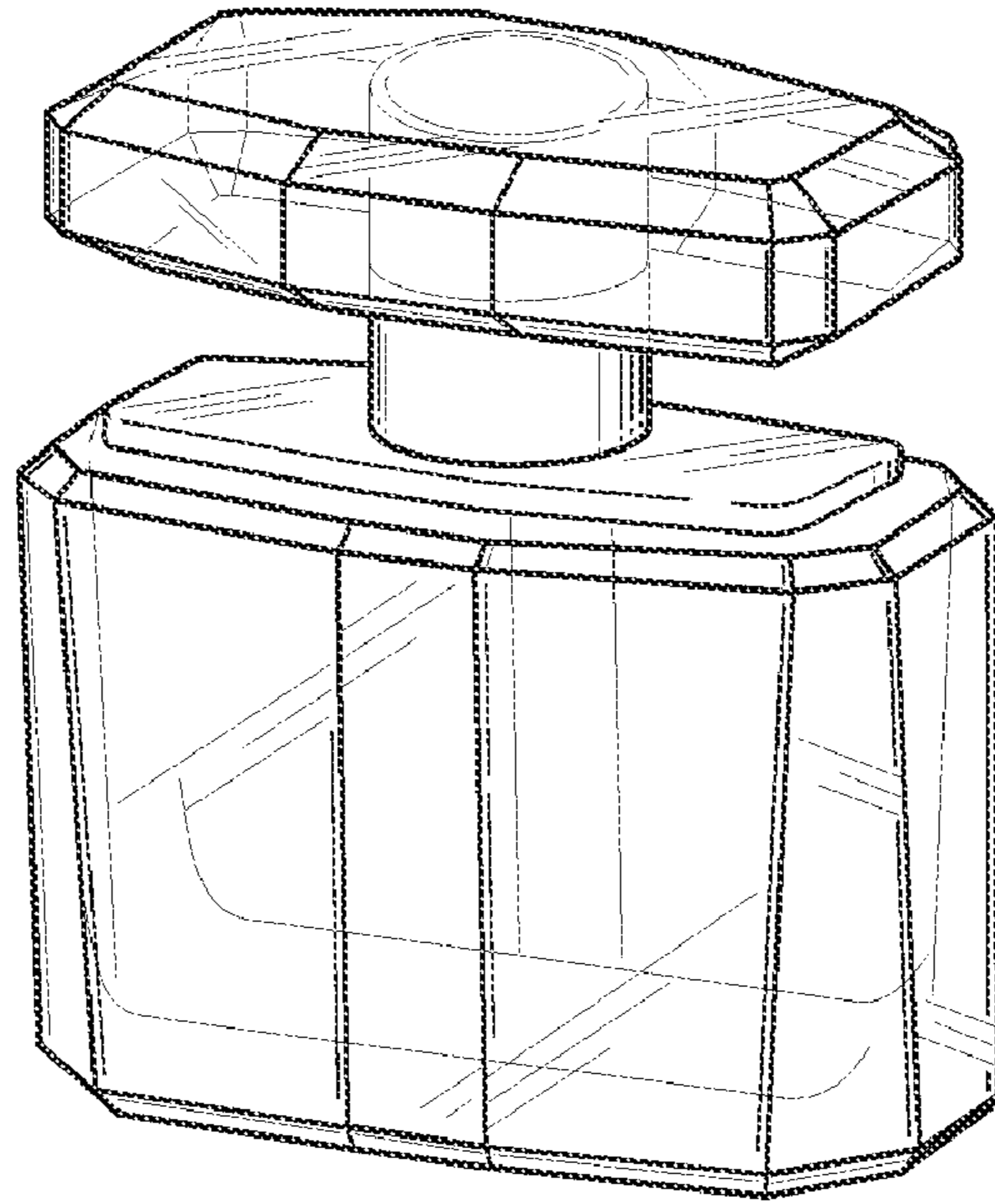


FIG. 2

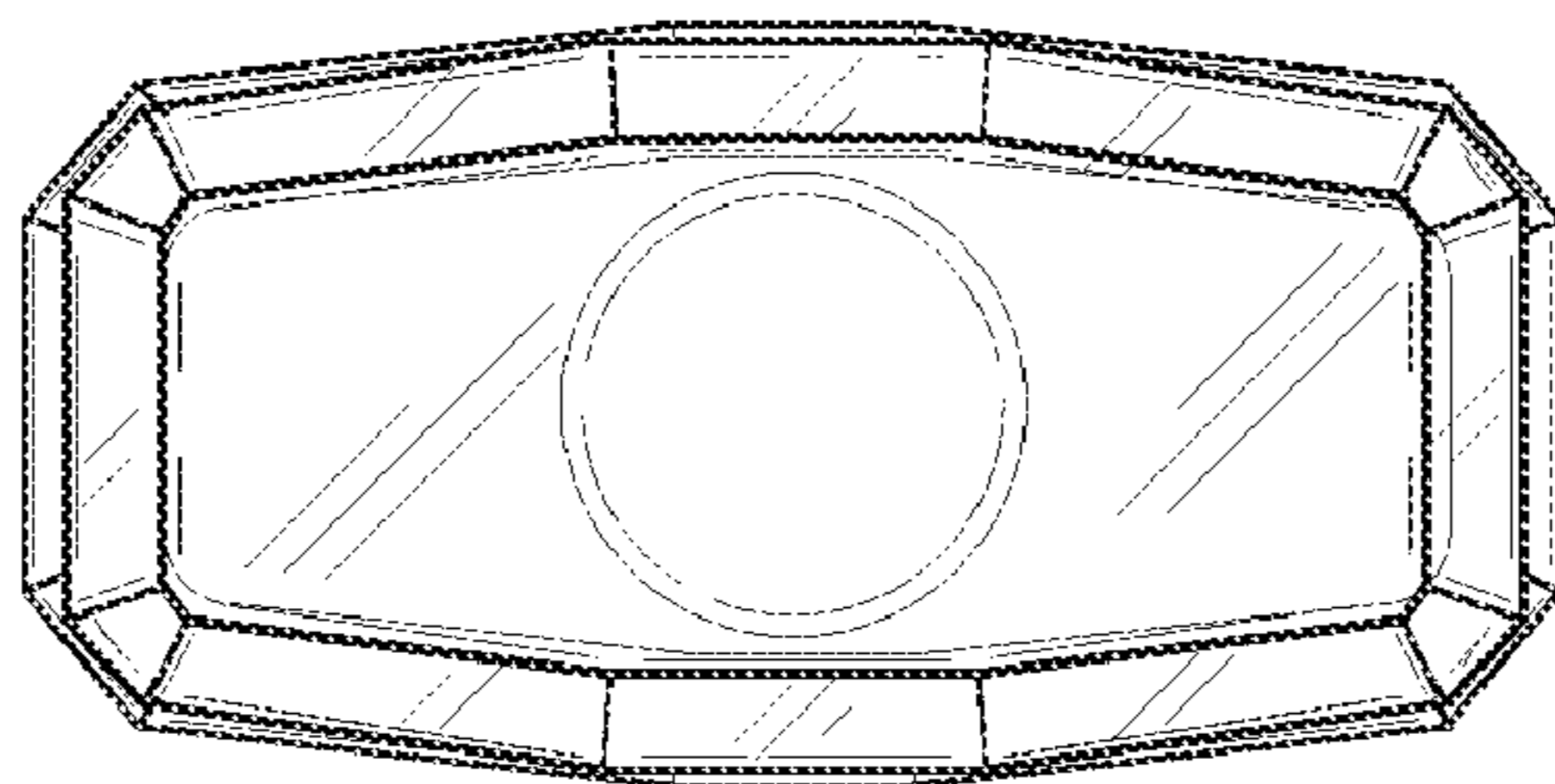


FIG. 3

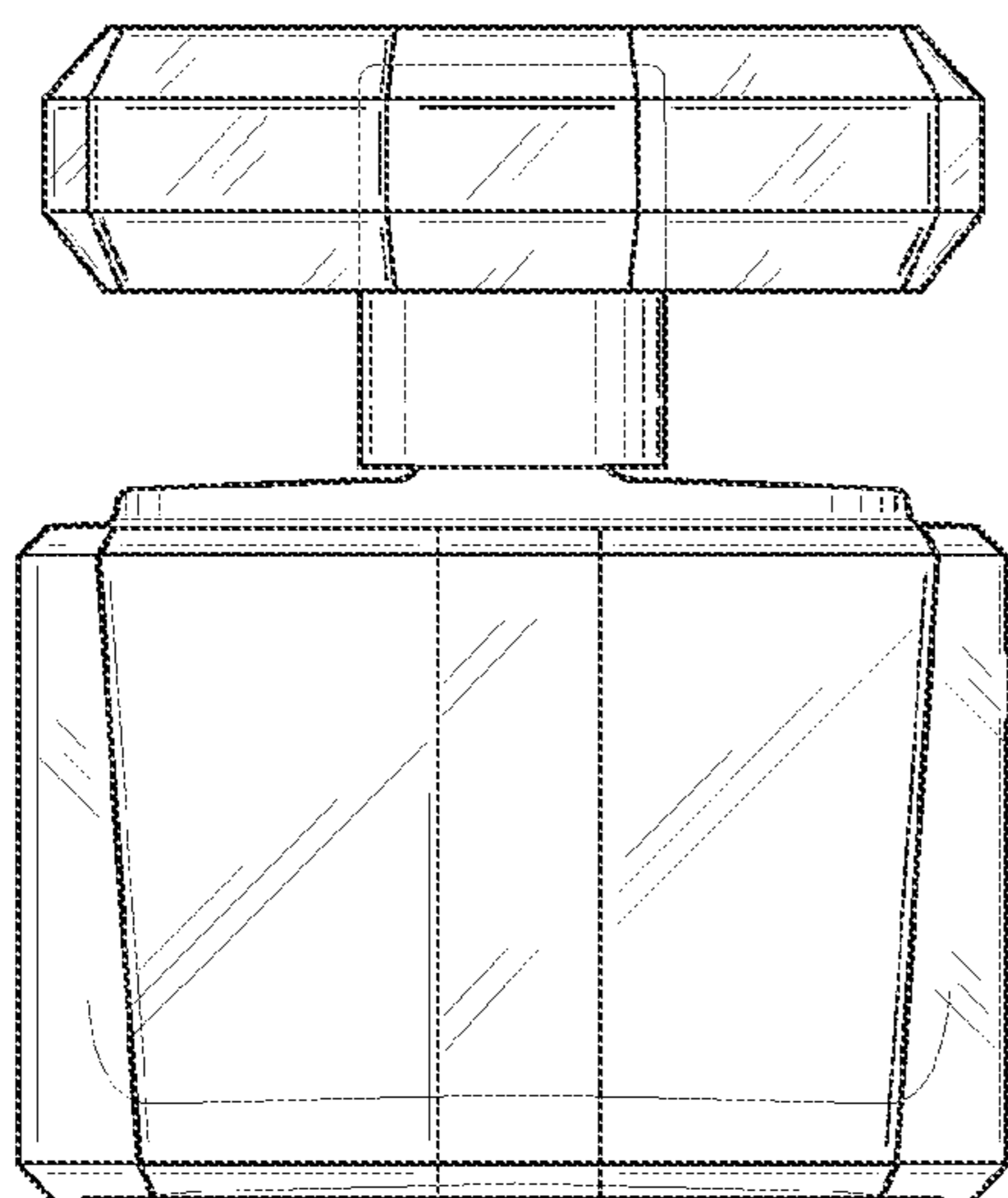


FIG. 4

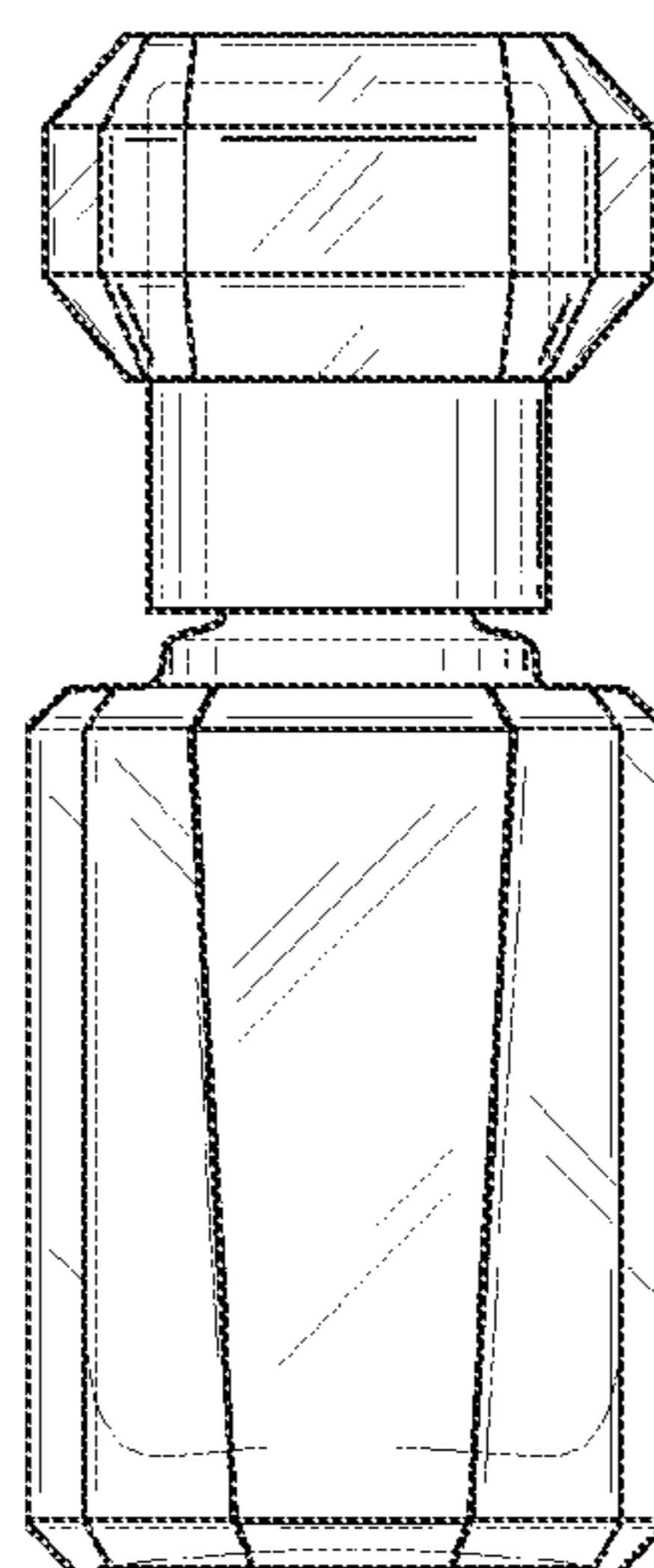


FIG. 5

