



US00D620803S

(12) **United States Design Patent**  
**Carnduff et al.**

(10) **Patent No.:** **US D620,803 S**  
(45) **Date of Patent:** **\*\* Aug. 3, 2010**

(54) **BOTTLE**

(75) Inventors: **Ian Andrew Carnduff**, New York, NY (US); **Akina Kurihara**, Brooklyn, NY (US); **Douglas Scott Miller**, Lebanon, OH (US)

(73) Assignee: **The Procter & Gamble Company**, Cincinnati, OH (US)

(\*\*) Term: **14 Years**

(21) Appl. No.: **29/326,982**

(22) Filed: **Oct. 28, 2008**

(51) **LOC (9) Cl.** ..... **09-01**

(52) **U.S. Cl.** ..... **D9/542; D9/556; D9/558**

(58) **Field of Classification Search** ..... D9/682-694,  
D9/516, 529-530, 538, 541-542, 549, 556,  
D9/558, 545-546, 569, 574-575; 215/382-384;  
D7/509-511

See application file for complete search history.

(56) **References Cited**

**U.S. PATENT DOCUMENTS**

D48,007 S *	10/1915	Orem	.....	D9/542
D209,714 S *	12/1967	Evans	.....	D9/555
D234,076 S *	1/1975	Peterson	.....	D9/544
D278,683 S *	5/1985	Biesecker	.....	D9/556
D352,246 S *	11/1994	Samimi et al.	.....	D9/542
D355,128 S *	2/1995	Samimi et al.	.....	D9/542
D357,186 S *	4/1995	Dinand	.....	D9/529
D402,206 S *	12/1998	Mastey	.....	D9/556
D419,864 S *	2/2000	Kuzma et al.	.....	D9/682

D458,848 S *	6/2002	Tompkins	.....	D9/538 X
D459,230 S *	6/2002	Tompkins	.....	D9/529
D471,463 S *	3/2003	Jones et al.	.....	D9/529
D485,496 S *	1/2004	Steele et al.	.....	D9/530
D489,625 S *	5/2004	Steele et al.	.....	D9/529
D585,289 S *	1/2009	Toh	.....	D9/529
D585,299 S *	1/2009	Miller	.....	D9/693
D598,772 S *	8/2009	Yourist et al.	.....	D9/541
D600,128 S *	9/2009	Miller	.....	D9/530
D601,427 S *	10/2009	Miller et al.	.....	D9/529

\* cited by examiner

*Primary Examiner*—Carol Rademaker

(74) *Attorney, Agent, or Firm*—Mark A. Charles

(57) **CLAIM**

The ornamental design for a bottle, as shown and described.

**DESCRIPTION**

FIG. 1 is a perspective view of a bottle showing the claimed design.

FIG. 2 is a front elevation thereof, the rear elevation being identical.

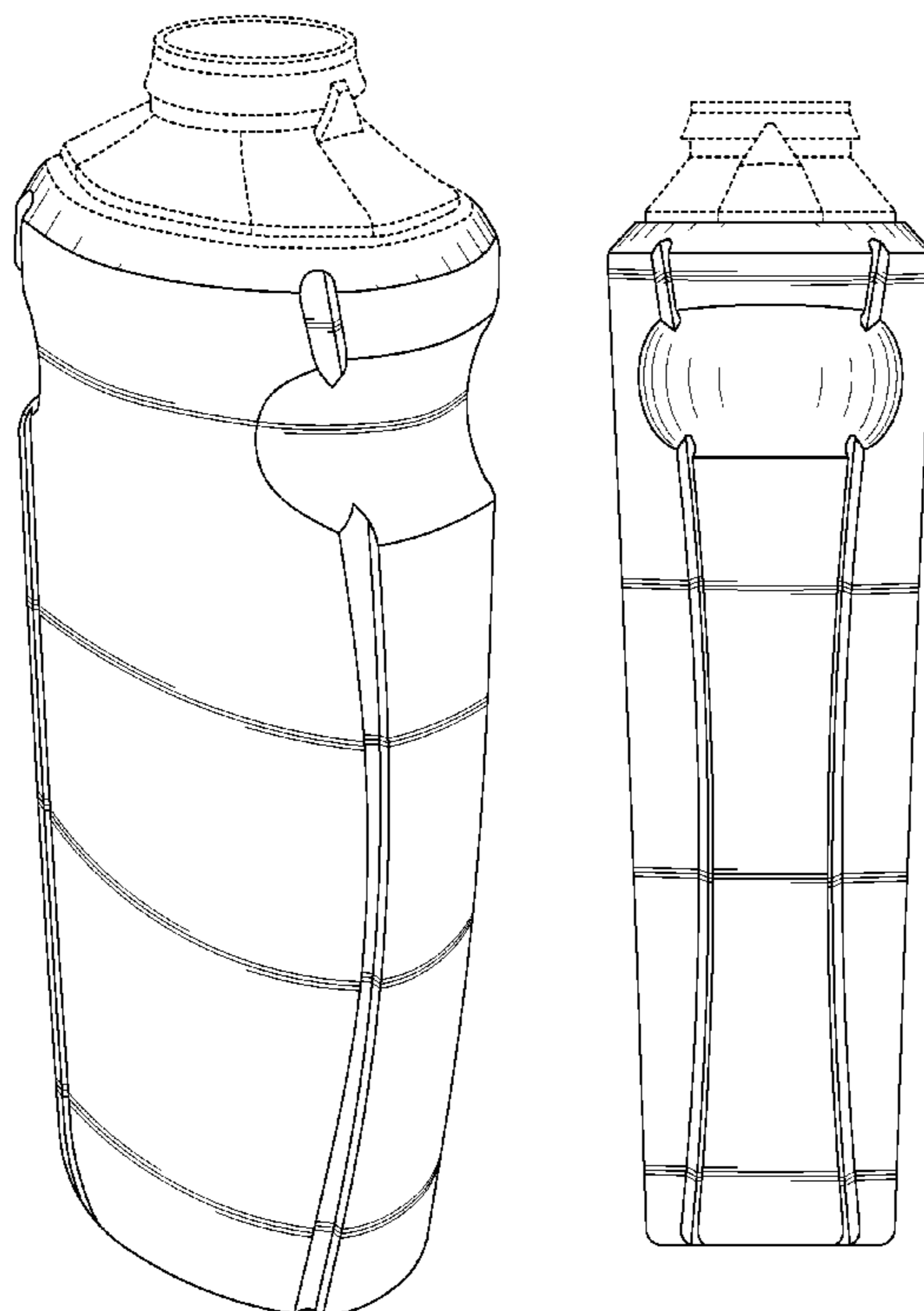
FIG. 3 is a left side elevational view thereof, the right side elevational view being identical.

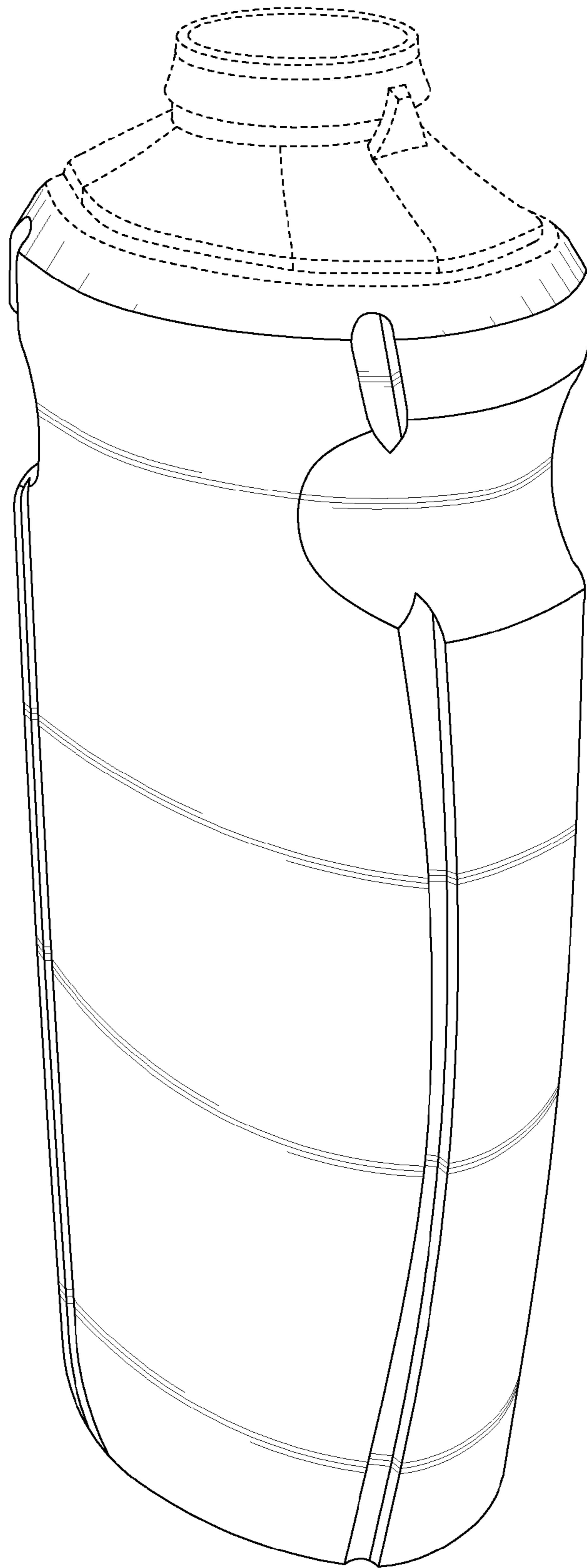
FIG. 4 is a top plan view thereof; and,

FIG. 5 is a bottom plan view thereof.

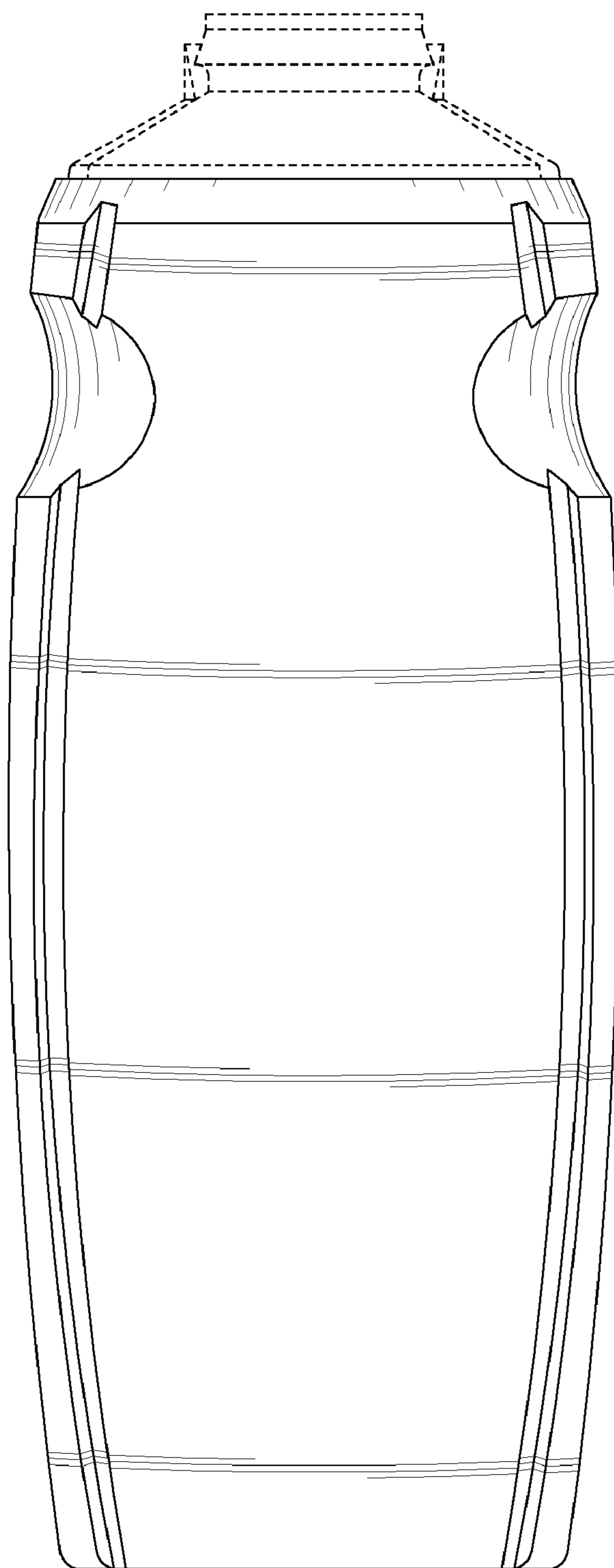
The broken line showing of a portion of the bottom is included for the purpose of illustrating environmental structure and forms no part of the claimed design.

**1 Claim, 5 Drawing Sheets**

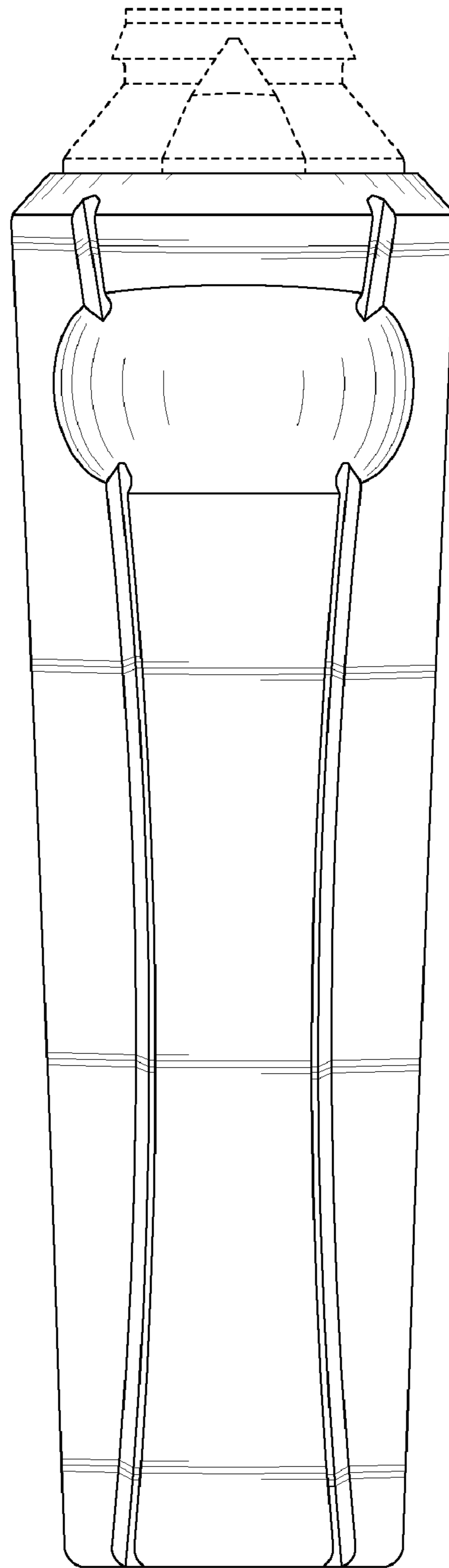




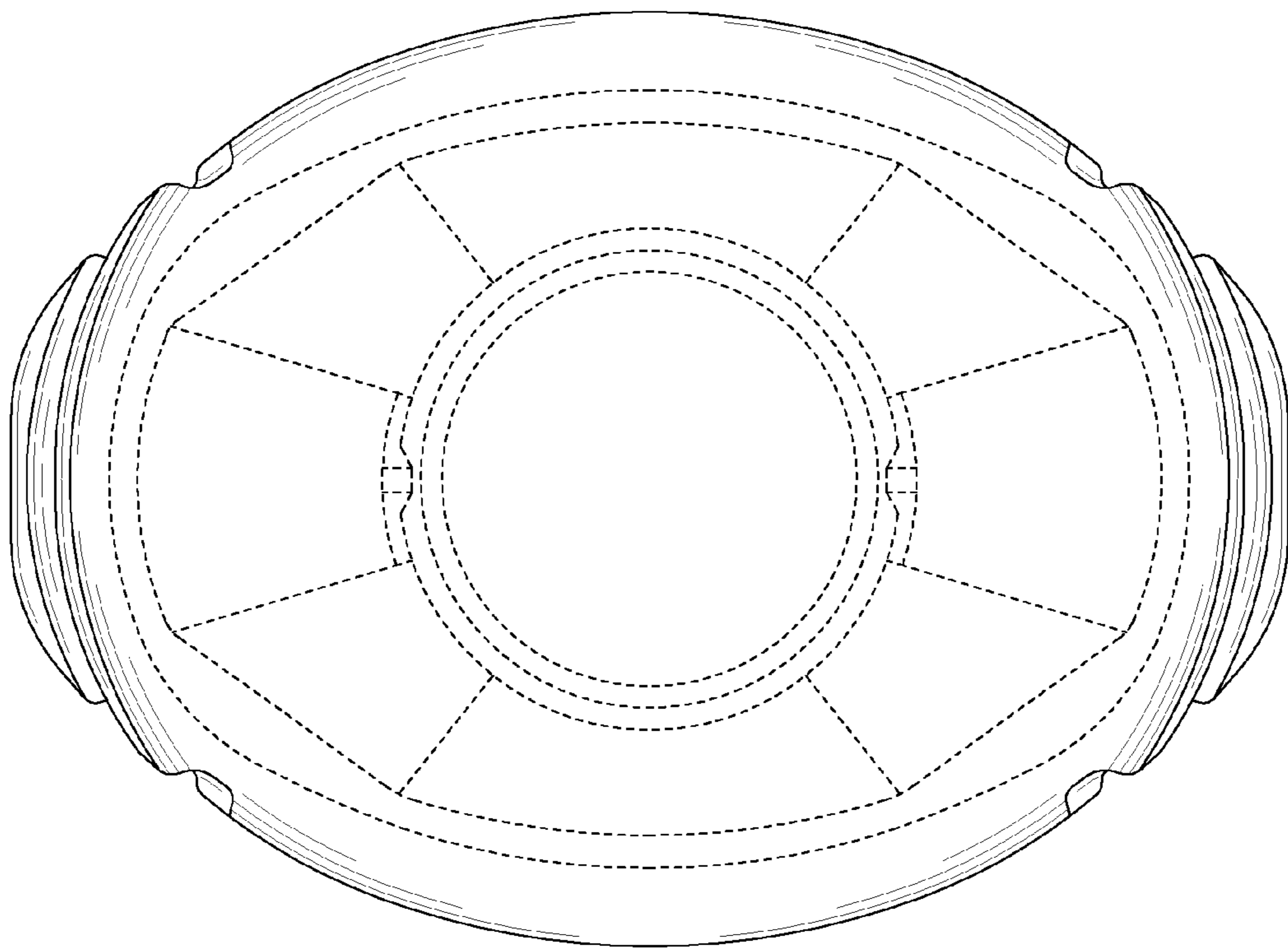
**FIG. 1**



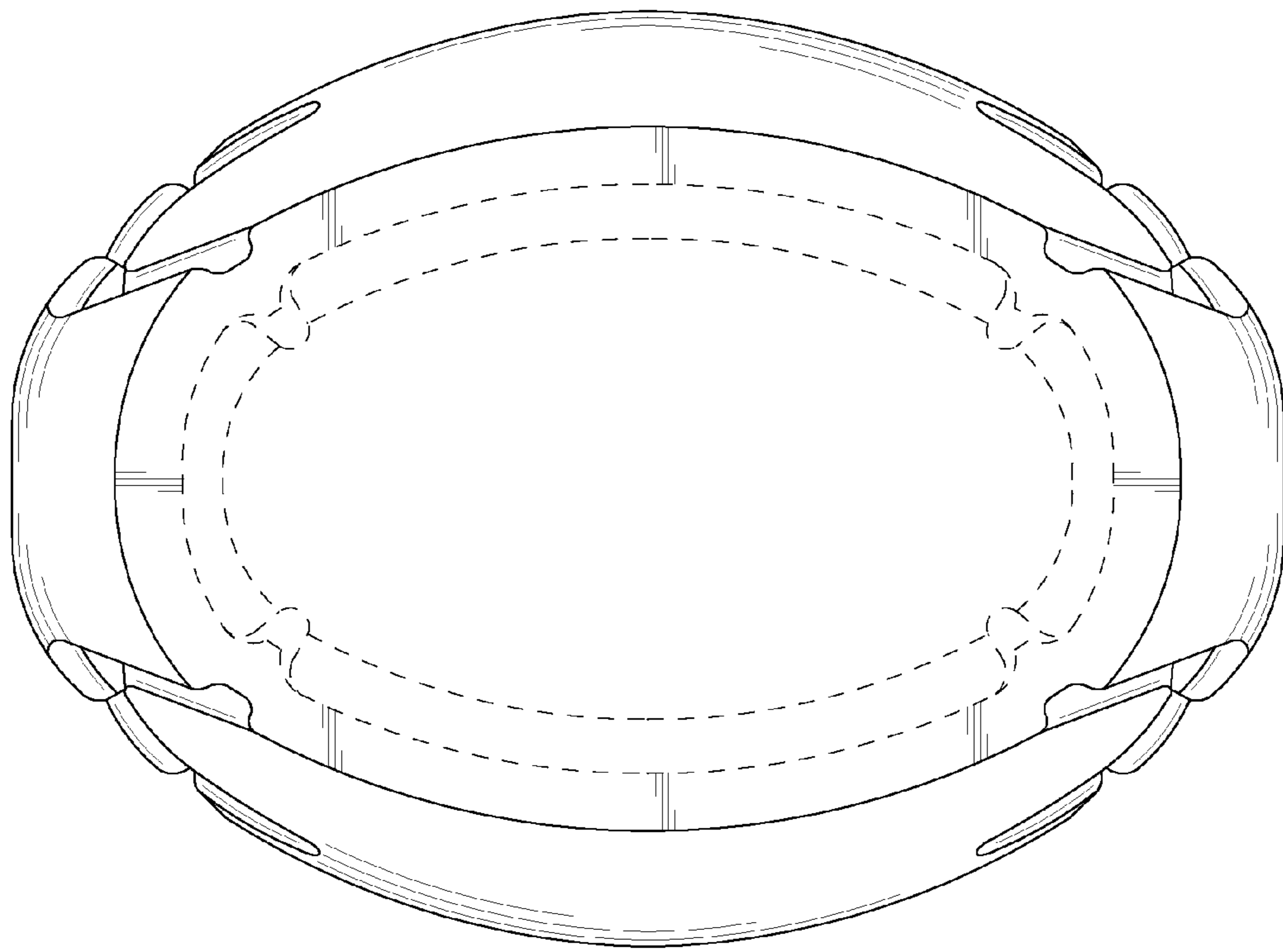
**FIG. 2**



**FIG. 3**



**FIG. 4**



**FIG. 5**