



US00D620802S

(12) **United States Design Patent**
Moss et al.

(10) **Patent No.:** **US D620,802 S**
(45) **Date of Patent:** **** Aug. 3, 2010**

(54) **PLASTIC CONTAINER**

(75) Inventors: **Gates Moss**, Cincinnati, OH (US);
Michael Kitzmiller, Fort Loramie, OH
(US); **Charles Hatch**, Cincinnati, OH
(US); **James Miller**, Barberton, OH
(US)

(73) Assignee: **Plastipak Packaging, Inc.**, Plymouth,
MI (US)

(**) Term: **14 Years**

(21) Appl. No.: **29/321,073**

(22) Filed: **Jul. 10, 2008**

(51) **LOC (9) Cl.** **09-01**

(52) **U.S. Cl.** **D9/524**

(58) **Field of Classification Search** D9/516,
D9/523, 524, 526, 528, 738-474; 215/381-385;
220/662, 669; D7/306

See application file for complete search history.

(56) **References Cited**

U.S. PATENT DOCUMENTS

D202,744 S *	11/1965	Greenwell	D9/520
D270,135 S *	8/1983	Gates	D9/742
D270,237 S *	8/1983	Hestehave	D9/742
D296,668 S *	7/1988	Stavish	D9/520
D297,212 S *	8/1988	Stavish	D9/520
D301,689 S *	6/1989	Fick et al.	D23/211.1
D333,177 S *	2/1993	Poirier	D23/211.1

D346,113 S *	4/1994	Ferguson et al.	D23/211.1
D457,064 S *	5/2002	Leray et al.	D9/524
D466,816 S *	12/2002	Leray et al.	D9/524
D498,420 S *	11/2004	Cadotte	D9/524
D514,940 S *	2/2006	Darr et al.	D9/527
D528,425 S *	9/2006	Van Dorin et al.	D9/527
D569,476 S *	5/2008	Munlin	D23/211.1

* cited by examiner

Primary Examiner—Stella M Reid

Assistant Examiner—Keli L Hill

(74) *Attorney, Agent, or Firm*—Dykema Gossett PLLC

(57) **CLAIM**

The ornamental design for a plastic container, as shown and described.

DESCRIPTION

FIG. 1 is a perspective top-front-right side view of a plastic container showing our new design;

FIG. 2 is a front elevation view thereof;

FIG. 3 is a right side view thereof;

FIG. 4 is a rear view thereof;

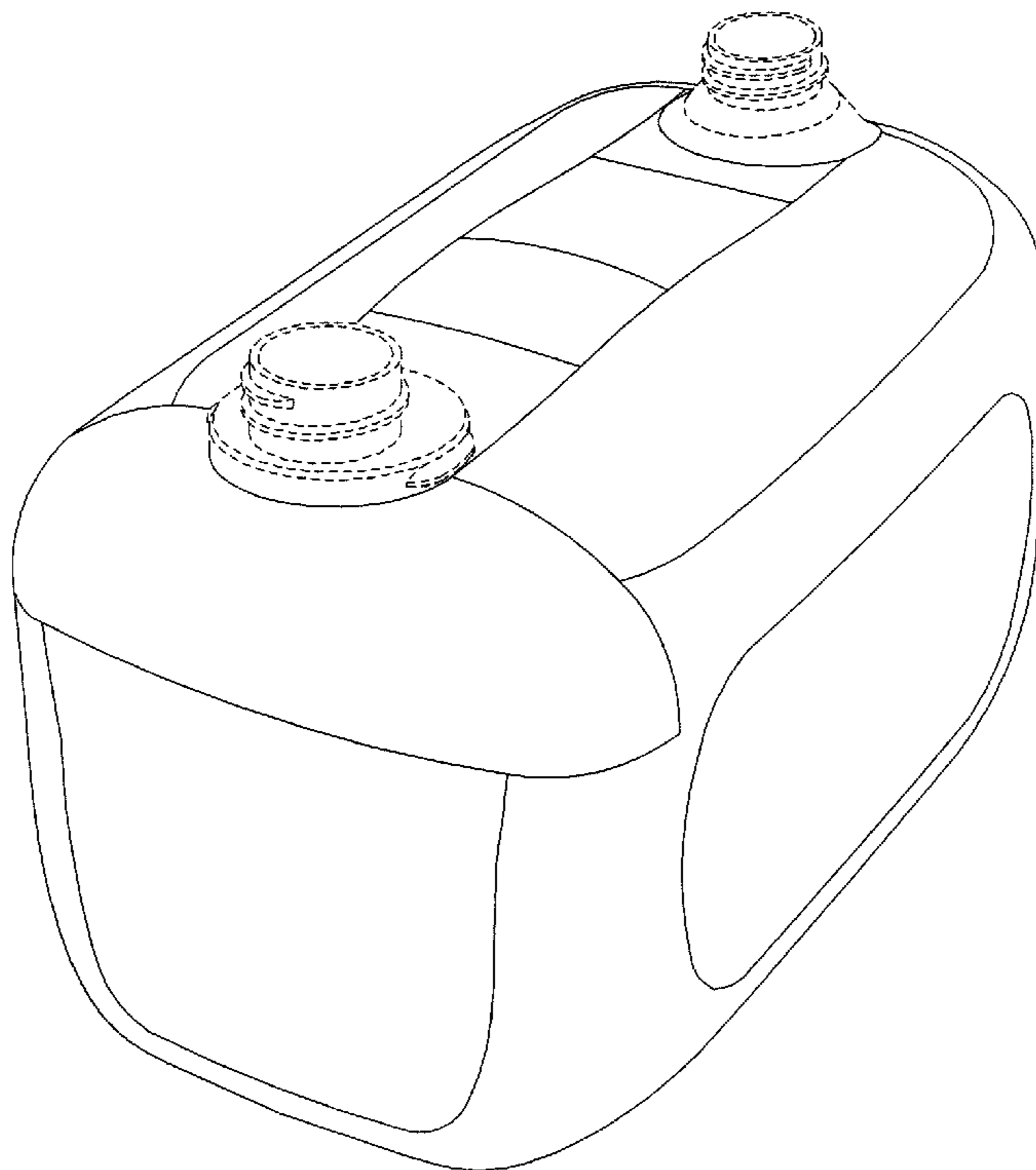
FIG. 5 is a left side view thereof;

FIG. 6 is a top plan view thereof; and,

FIG. 7 is a bottom view thereof.

The broken lines shown in the drawings are for illustrative purposes only and do not form a part of the claimed design.

1 Claim, 7 Drawing Sheets



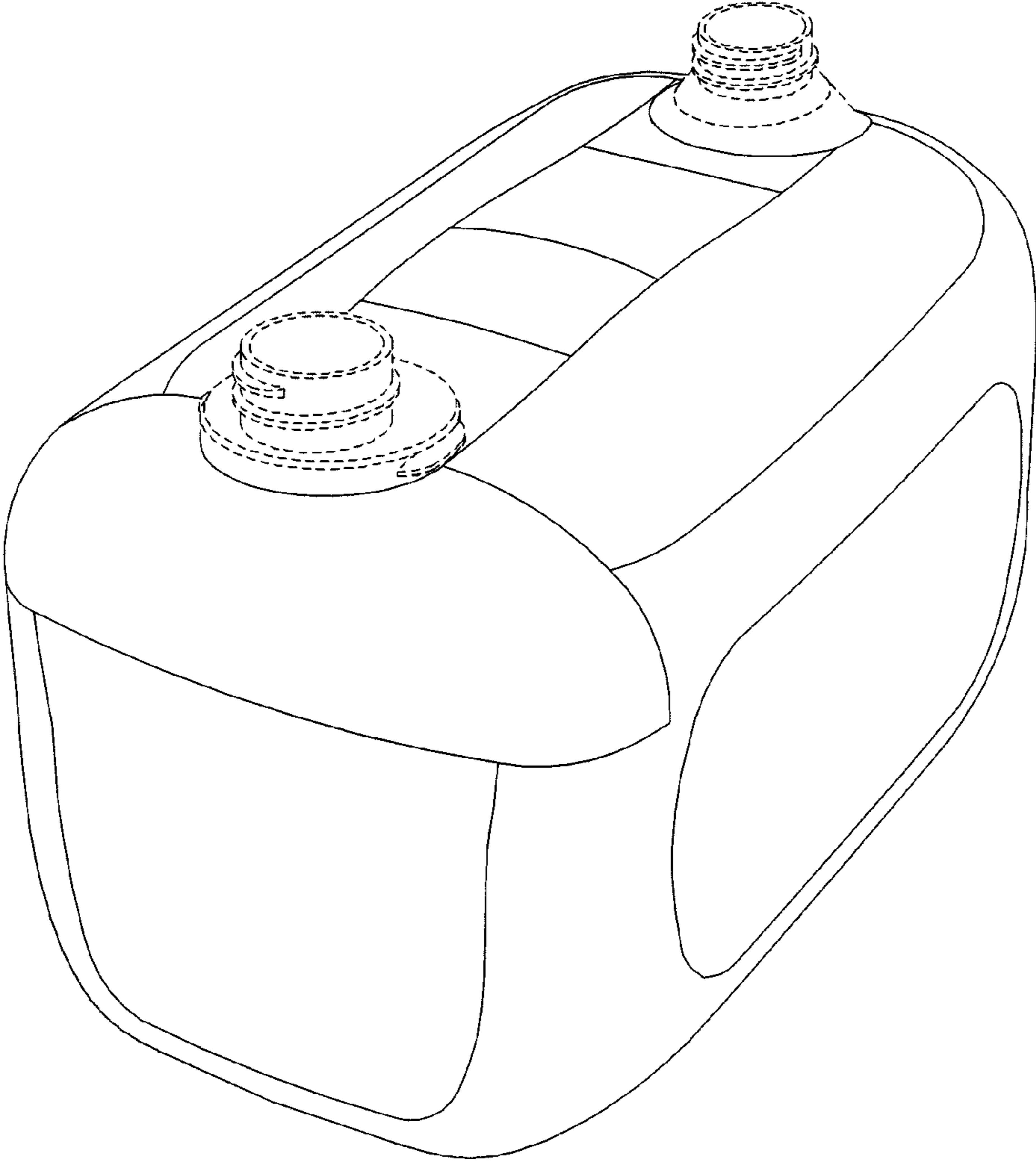


FIG. 1

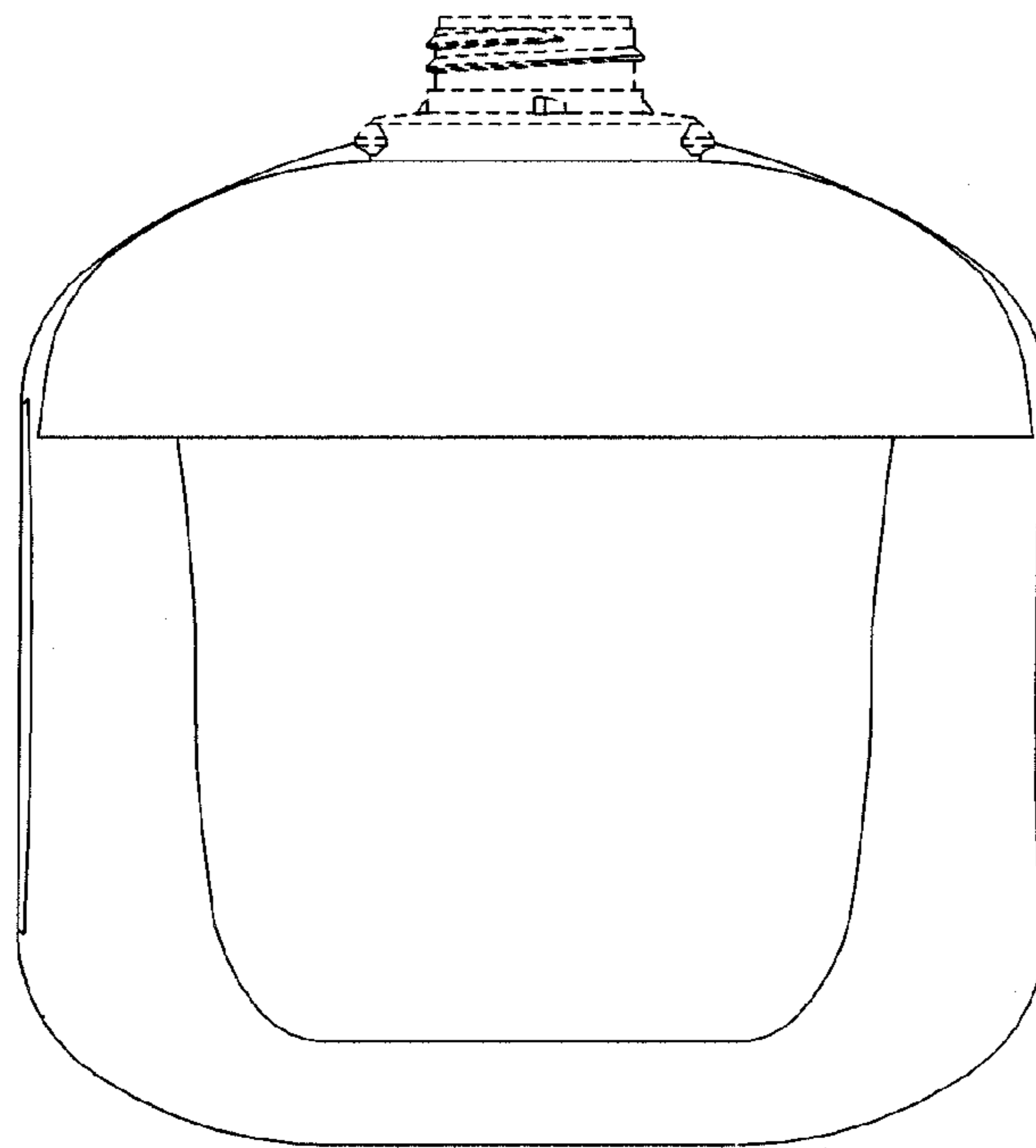


FIG.2

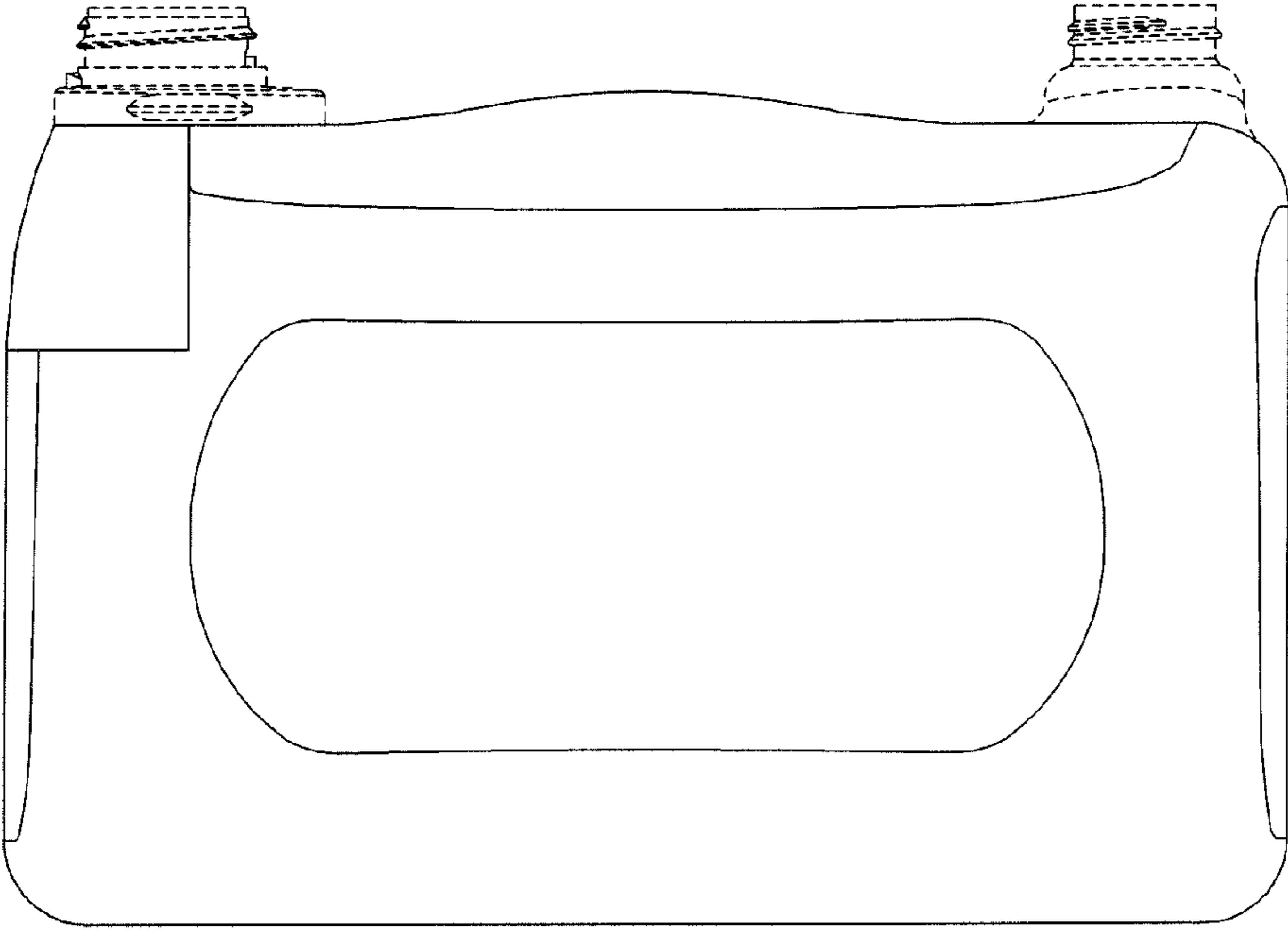


FIG.3

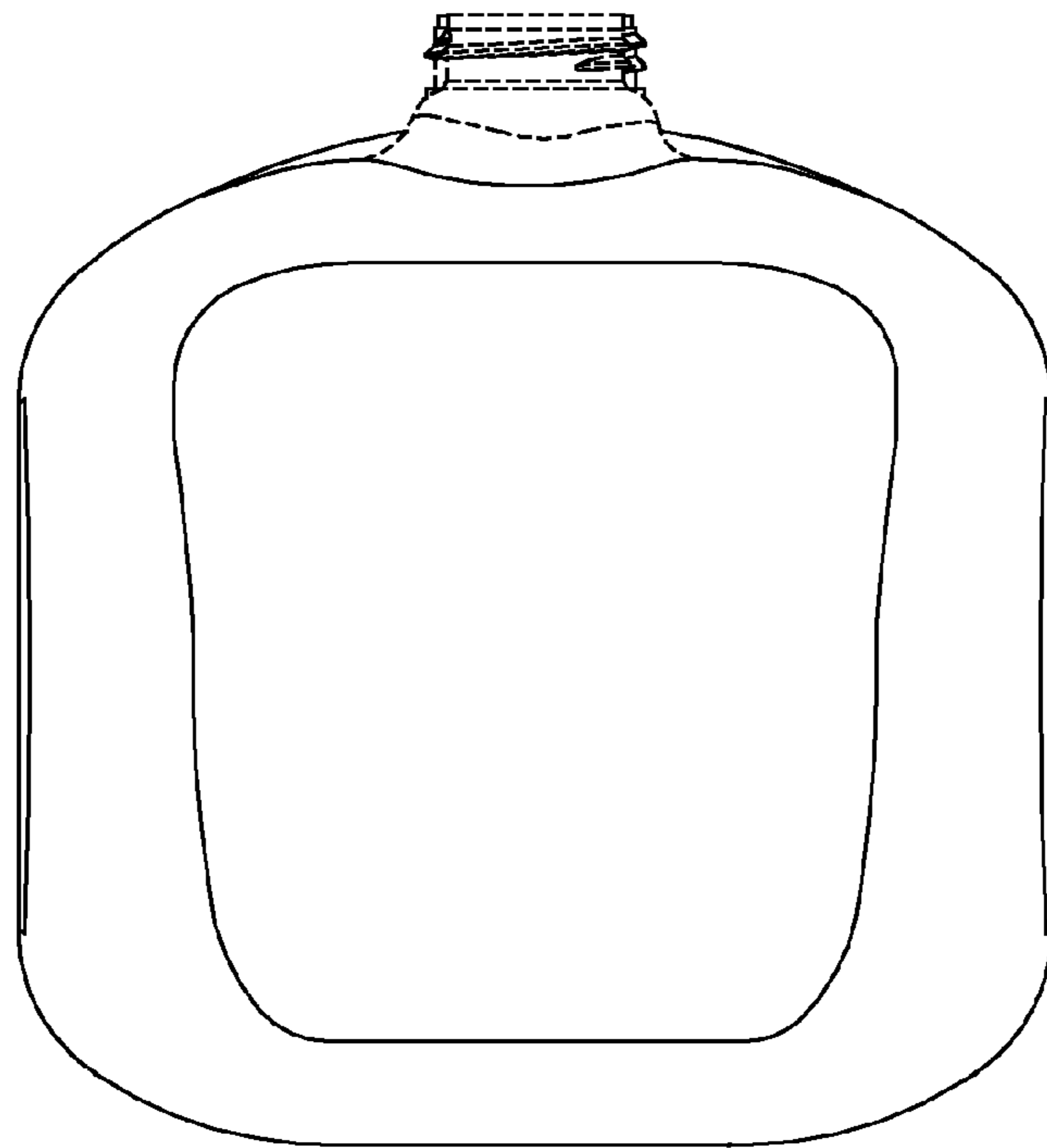


FIG.4

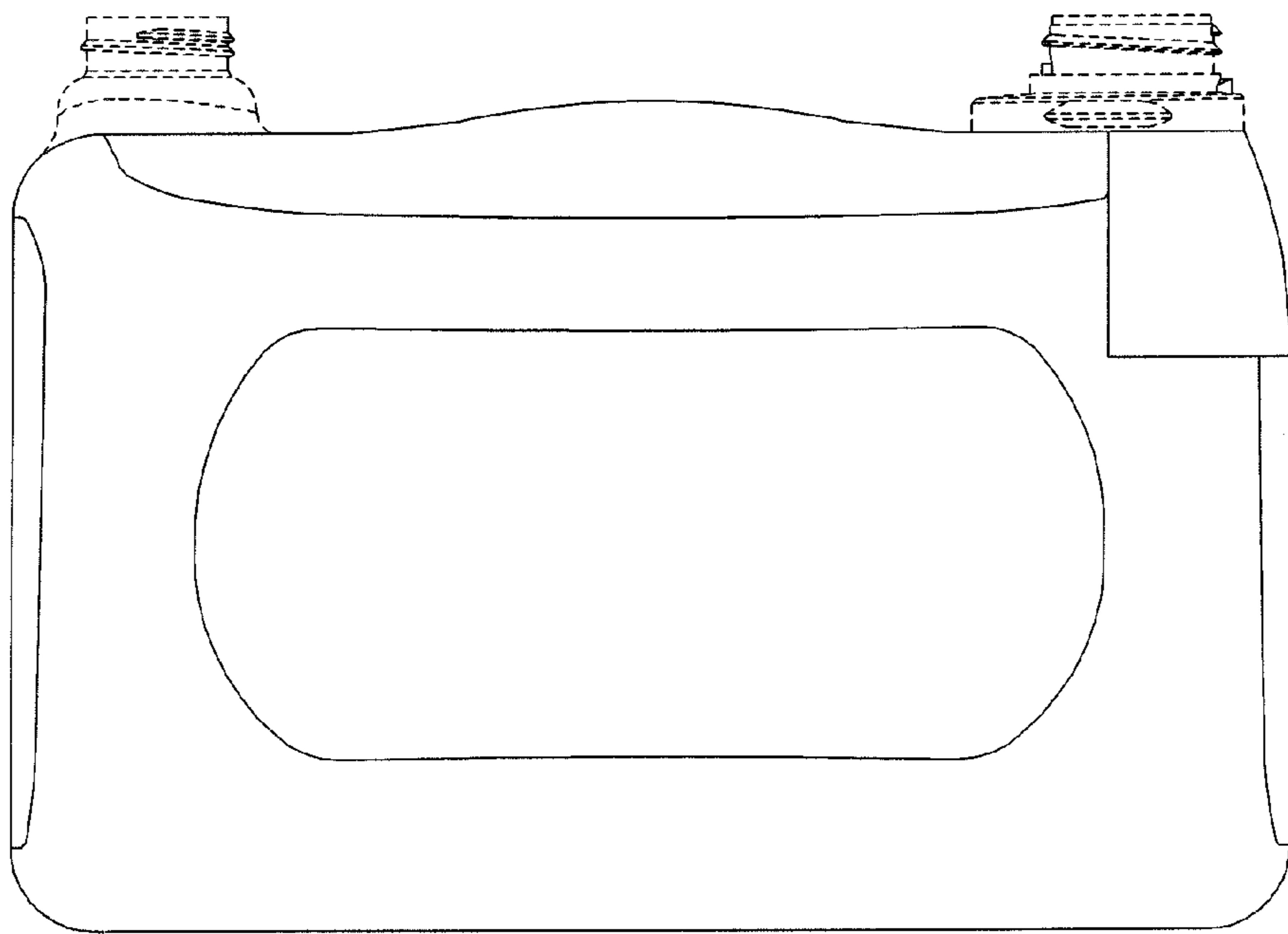


FIG.5

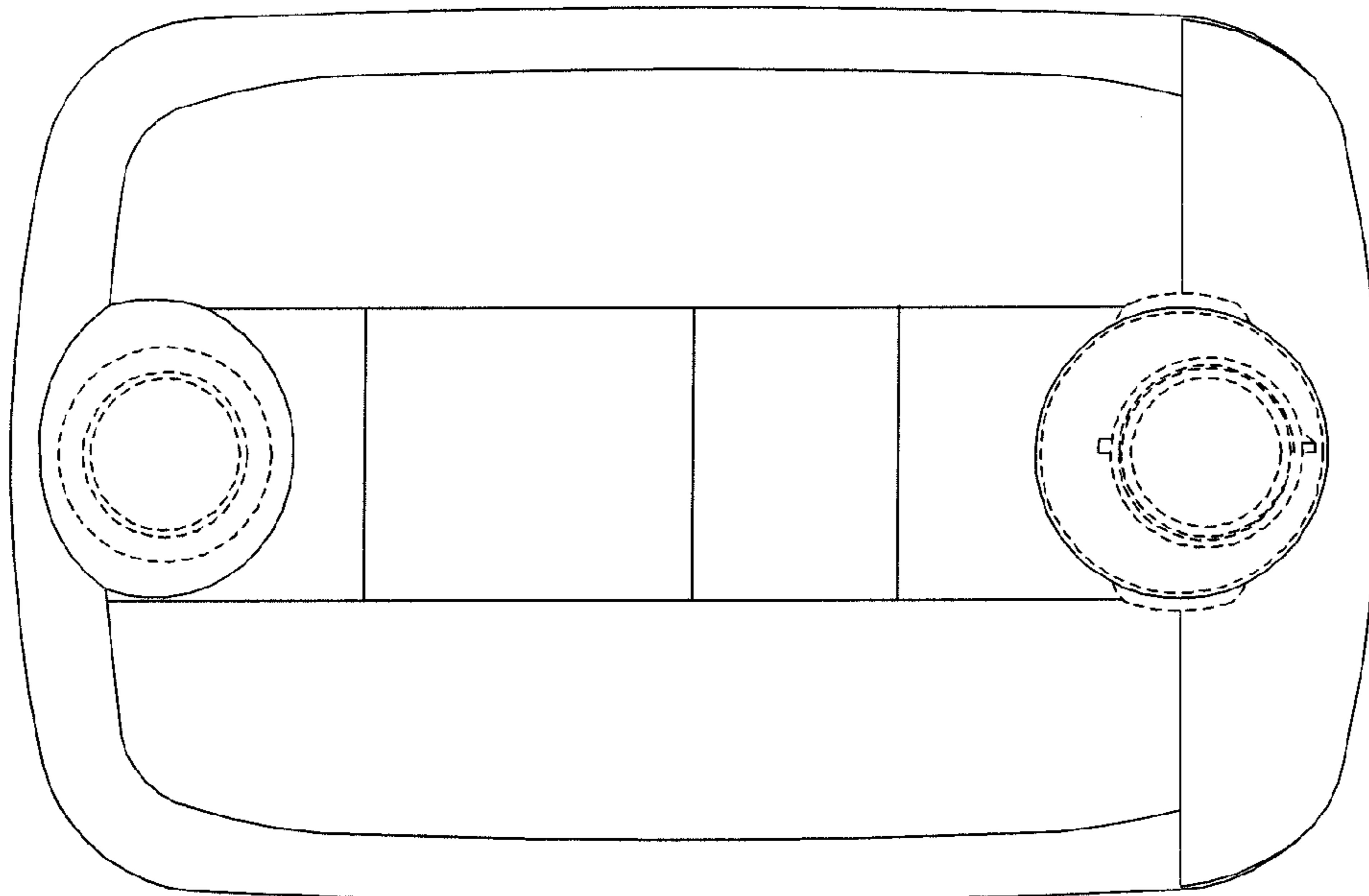


FIG.6

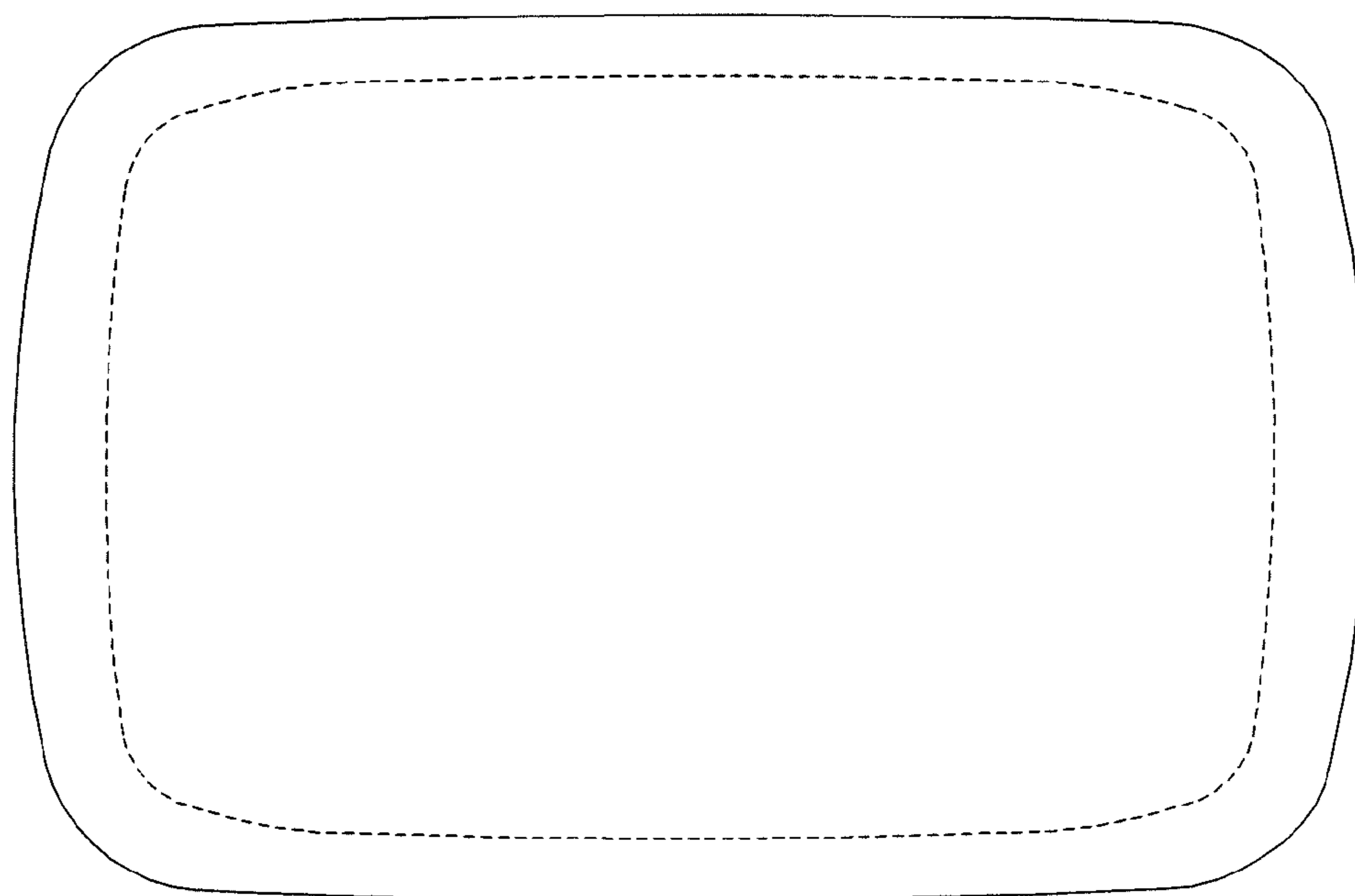


FIG. 7