

US00D620801S

(12) **United States Design Patent**  
**Herstol et al.**

(10) **Patent No.:** **US D620,801 S**

(45) **Date of Patent:** **\*\* Aug. 3, 2010**

(54) **BOTTLE**

(75) Inventors: **Arthur Olaf Herstol**, Sharon, MA (US);  
**Jason Craig Campbell**, Chicago, IL  
(US); **Karl Anton Bakker**, Chicago, IL  
(US); **Su Yon McConville**, Mason, OH  
(US)

(73) Assignee: **The Procter & Gamble Company**,  
Cincinnati, OH (US)

(\*\*) Term: **14 Years**

(21) Appl. No.: **29/352,235**

(22) Filed: **Dec. 17, 2009**

**Related U.S. Application Data**

(62) Division of application No. 29/331,509, filed on Jan.  
27, 2009, now Pat. No. Des. 609,101, which is a divi-  
sion of application No. 29/265,211, filed on Aug. 28,  
2006, now Pat. No. Des. 587,122.

(51) **LOC (9) Cl.** ..... **09-01**

(52) **U.S. Cl.** ..... **D9/521; D9/542; D9/571**

(58) **Field of Classification Search** ..... D9/516,  
D9/521, 529, 541-543, 550, 552, 556, 557,  
D9/565, 570-571, 573-574, 723, 729; 215/381-384,  
215/396, 398; 220/671-672, 675  
See application file for complete search history.

(56) **References Cited**

**U.S. PATENT DOCUMENTS**

D352,458 S \* 11/1994 Gray ..... D9/729  
D381,261 S \* 7/1997 Crawford ..... D9/686  
D398,853 S 9/1998 Phillips  
D423,941 S \* 5/2000 Richiger ..... D9/542  
D439,165 S 3/2001 Erckelbout et al.  
D455,655 S 4/2002 Bunce  
D463,284 S 9/2002 Poisson et al.  
D464,269 S \* 10/2002 Pannozzo et al. .... D9/521  
D468,642 S 1/2003 Poisson et al.  
D476,887 S 7/2003 Poisson et al.  
D476,888 S 7/2003 Poisson et al.

D477,220 S 7/2003 Poisson et al.  
D477,221 S 7/2003 Poisson et al.  
D478,507 S 8/2003 Poisson et al.  
D510,030 S \* 9/2005 Storz et al. .... D9/529  
D524,657 S 7/2006 Harris et al.  
D528,012 S \* 9/2006 Snyder ..... D9/529  
D529,810 S 10/2006 Davies et al.  
D540,685 S 4/2007 Shurtleff et al.  
D542,673 S 5/2007 Shurtleff et al.  
D546,187 S 7/2007 Ratzlaff  
D548,602 S 8/2007 Escobosa et al.

(Continued)

**OTHER PUBLICATIONS**

[http://www.dialsoap.com/dial\\_for\\_men.html](http://www.dialsoap.com/dial_for_men.html), 2 pages.

(Continued)

*Primary Examiner*—Nanda Bondade

(74) *Attorney, Agent, or Firm*—James C. Vago; Brian M.  
Bolam; Jason J. Camp

(57) **CLAIM**

The ornamental design for a bottle, as shown and described.

**DESCRIPTION**

FIG. 1 is a perspective view of a bottle showing our new  
design;

FIG. 2 is a front elevational view thereof;

FIG. 3 is a rear elevational view thereof;

FIG. 4 is a right side elevational view thereof;

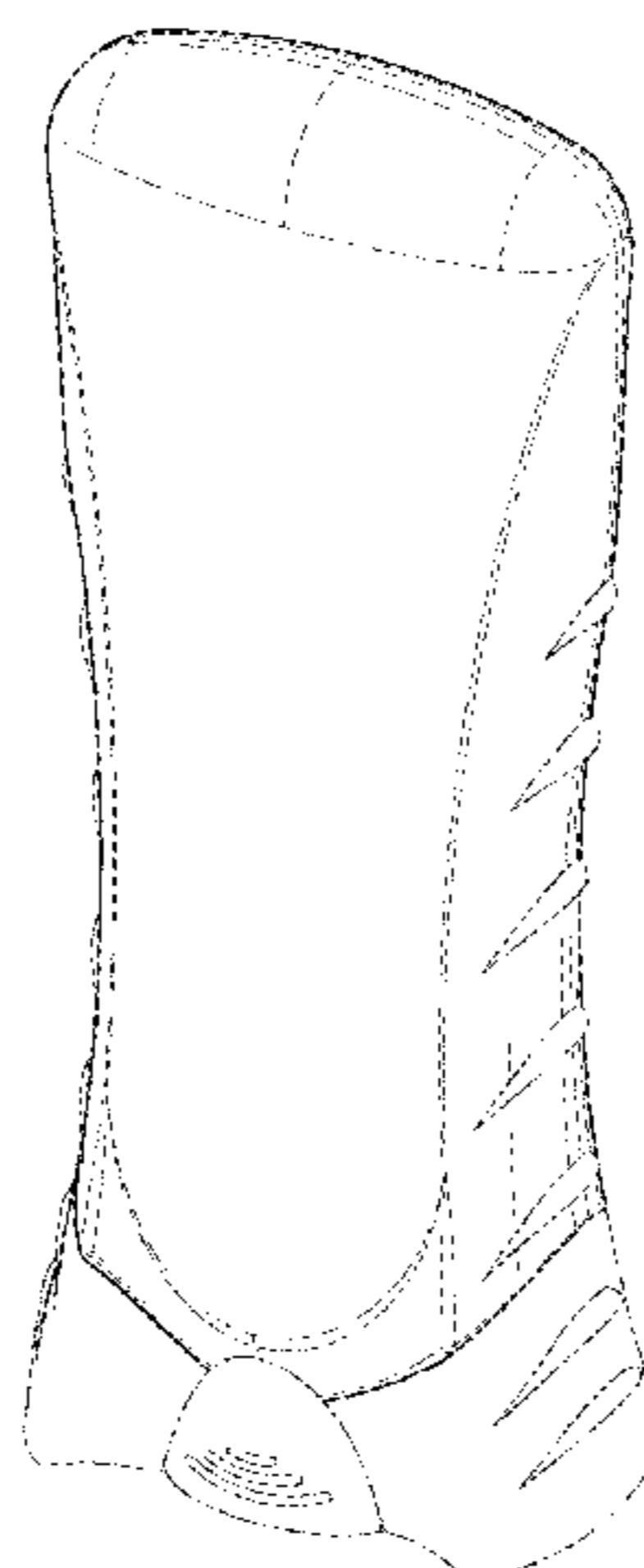
FIG. 5 is a left side elevational view thereof;

FIG. 6 is a top plan view thereof; and,

FIG. 7 is a bottom plan view thereof.

The broken lines shown are for illustrative purposes only and  
form no part of the claimed design.

**1 Claim, 7 Drawing Sheets**



# US D620,801 S

Page 2

---

## U.S. PATENT DOCUMENTS

D550,085 S 9/2007 Ratzlaff  
D587,122 S 2/2009 Herstol et al.  
D588,009 S 3/2009 Bowers et al.

## OTHER PUBLICATIONS

<http://www.dialsoap.com/3D-bar-soap.html>, Dial for Men the Ultimate Clean Hydrating Body Scrub, 5 pages.

Global New Products Database, <http://www.gnpd.com>. USA, Feb. 2006, Dial for Men Recharge Hydrating Body Wash, 2 pages.

Global New Products Database, <http://www.gnpd.com>. Gillette, Singapore, Jul. 2000, Arctic Ice Deodorant, Gillette Clear Gel Antiperspirant Deodorant, 1 page.

\* cited by examiner

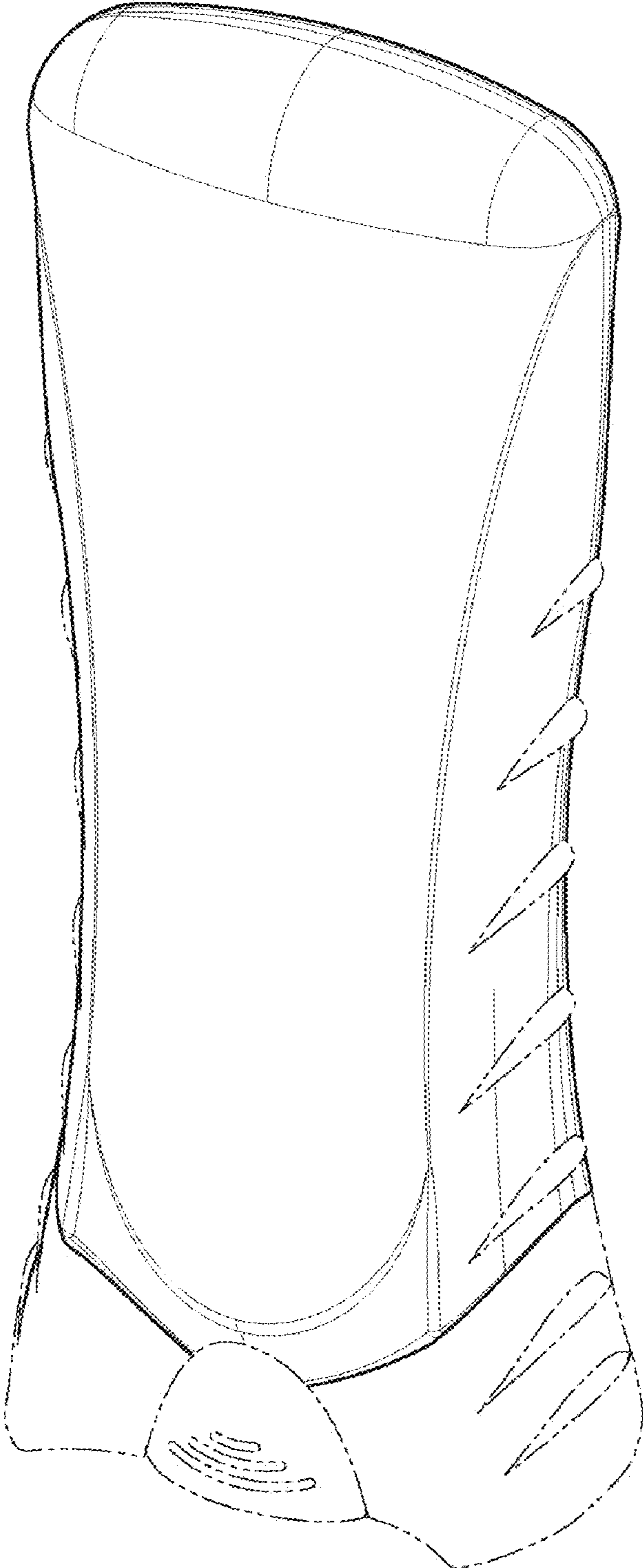


Fig. 1

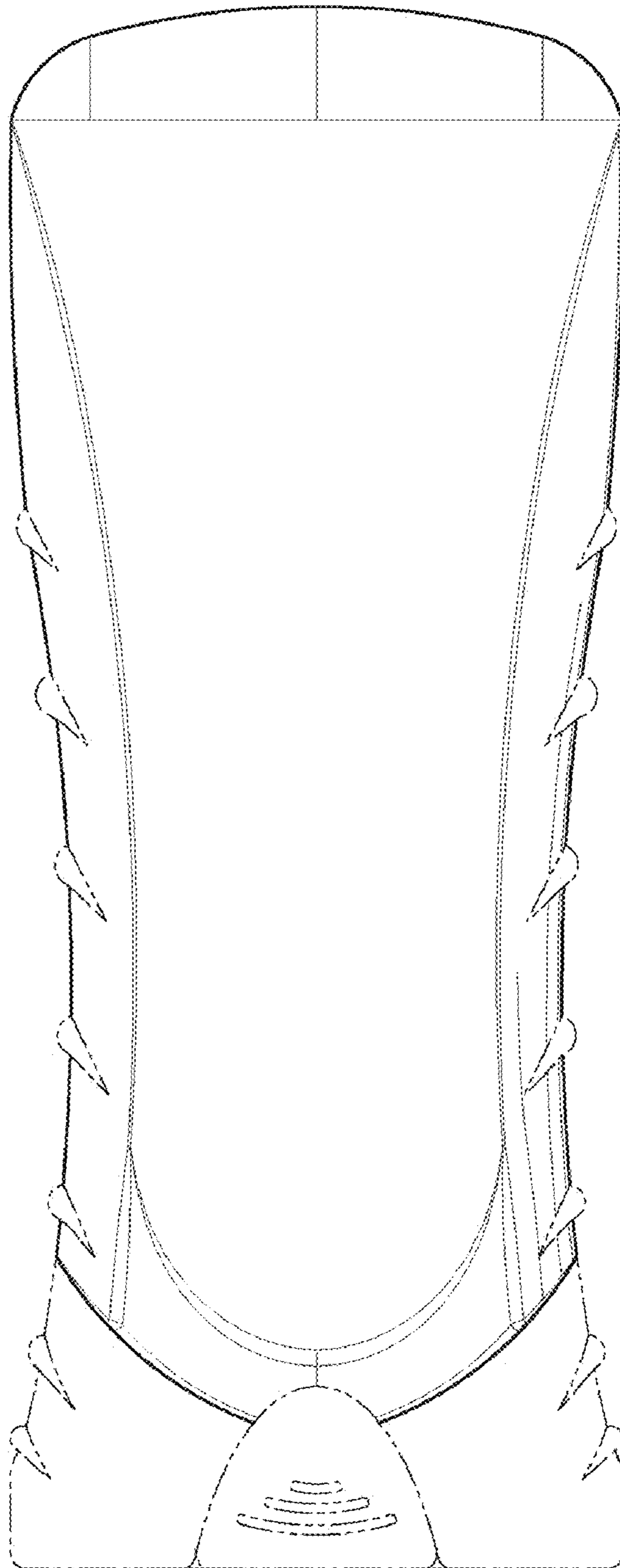


Fig. 2

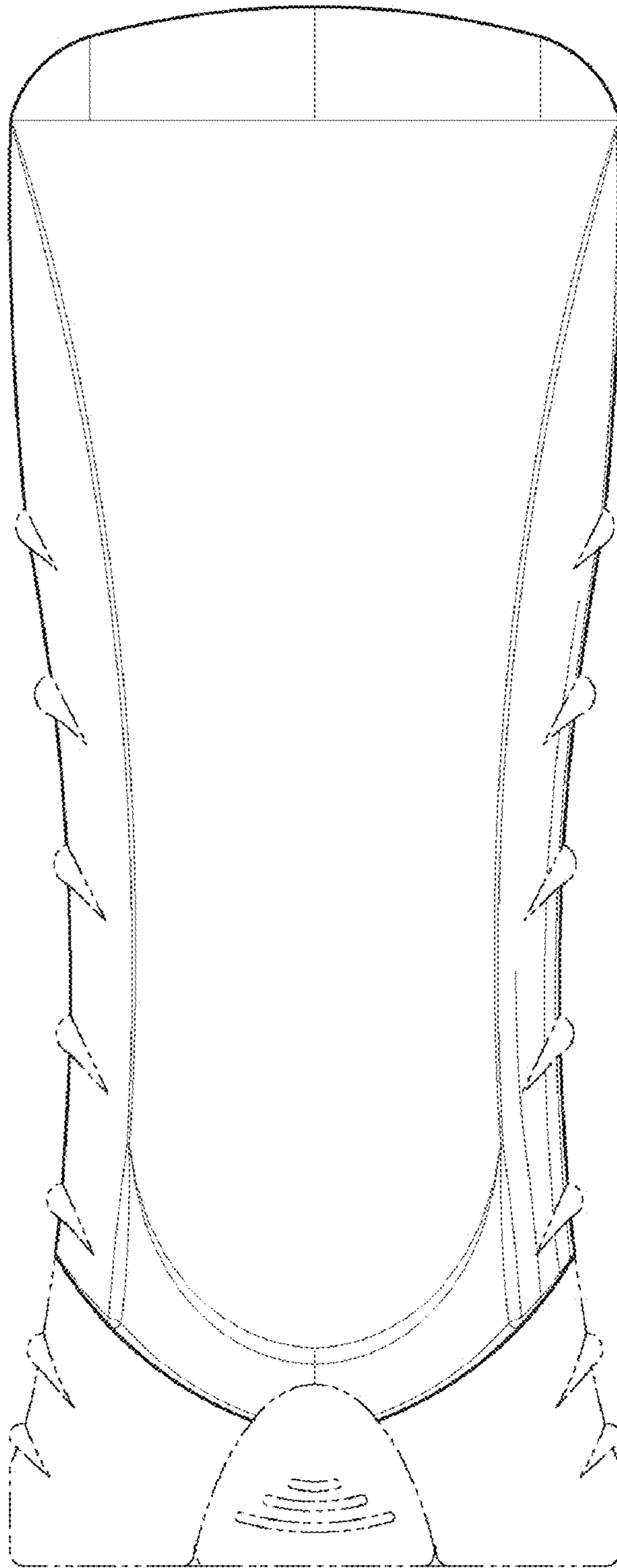


Fig. 3

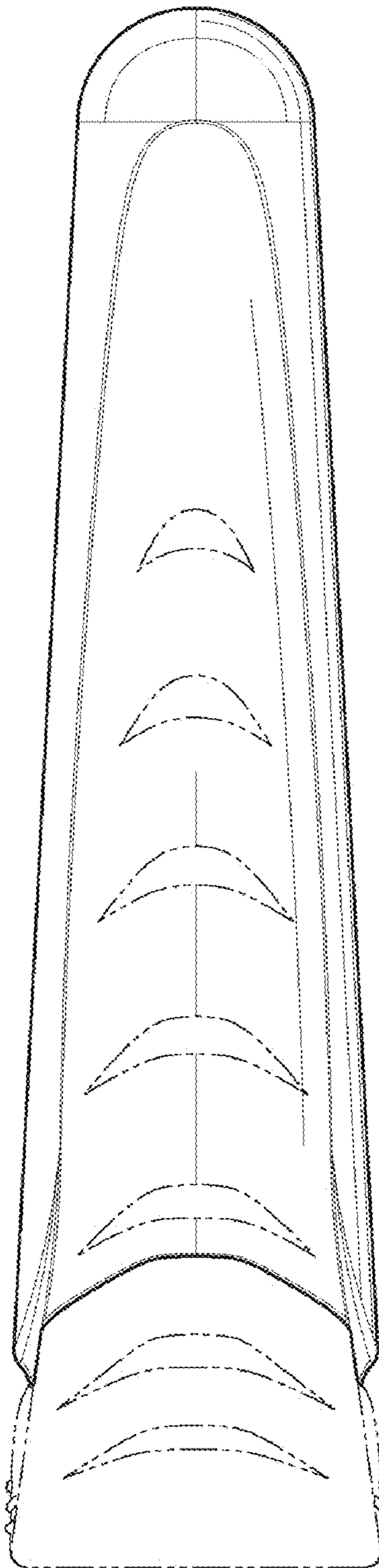


Fig. 4



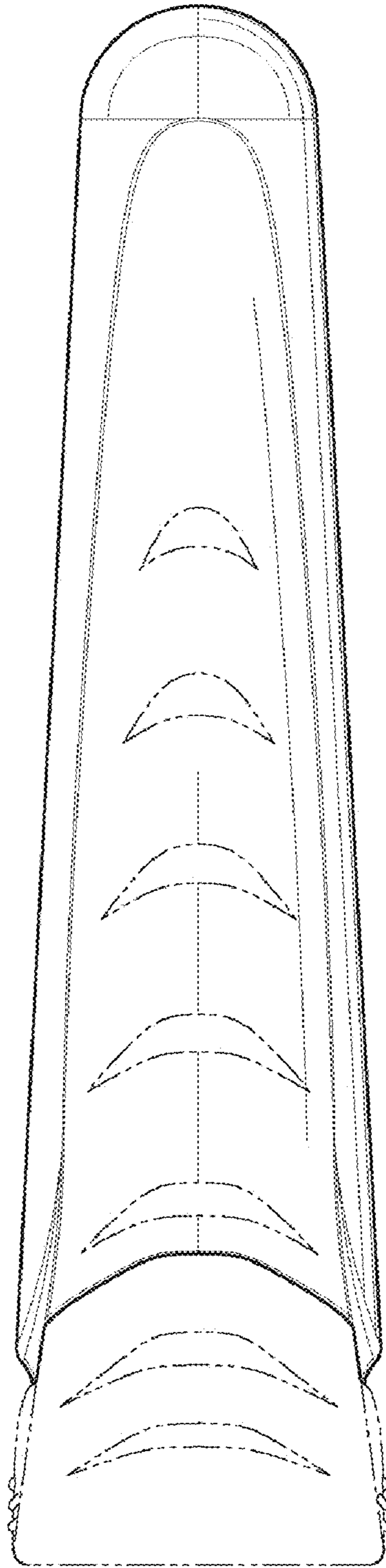


Fig. 5

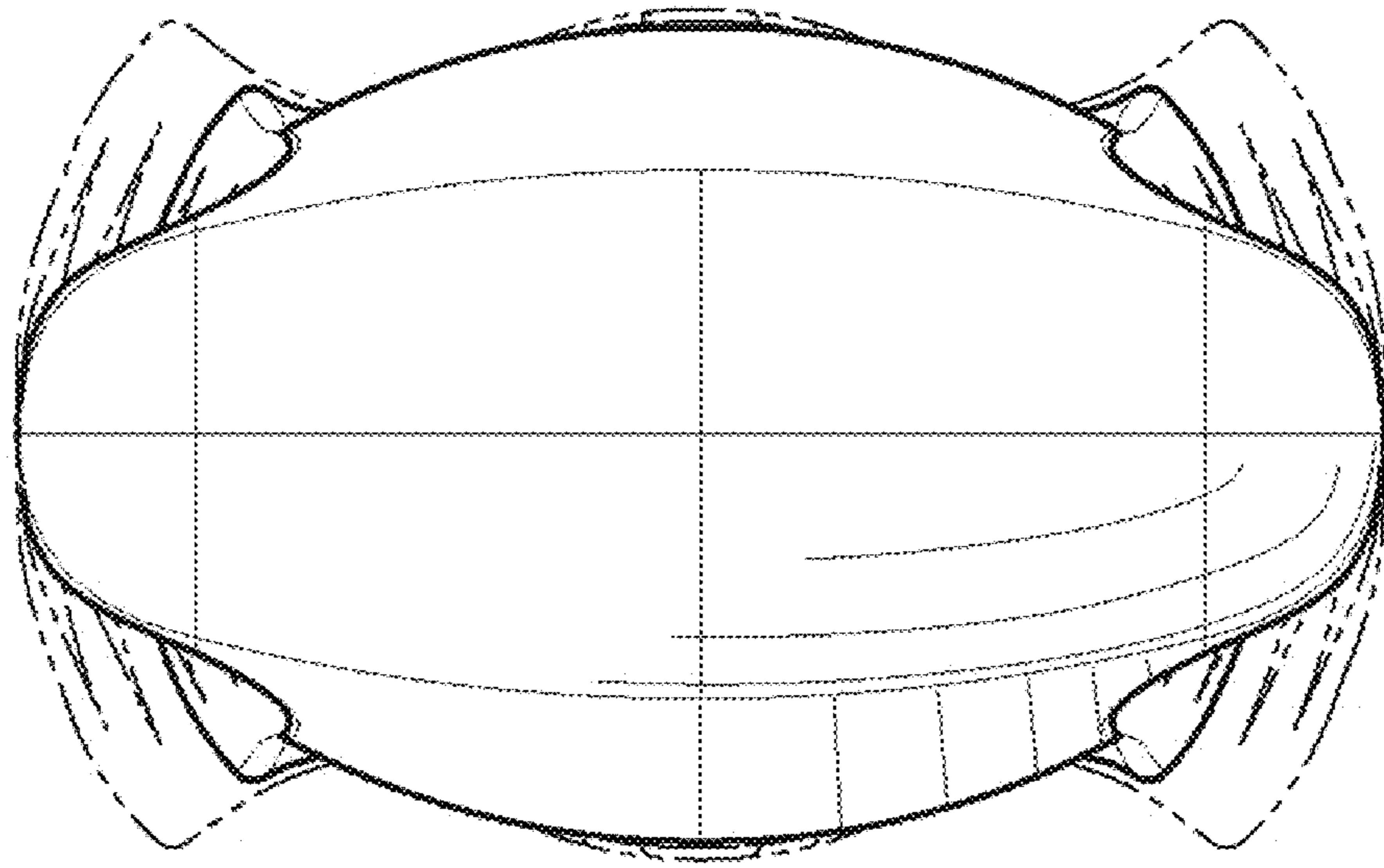


Fig. 6



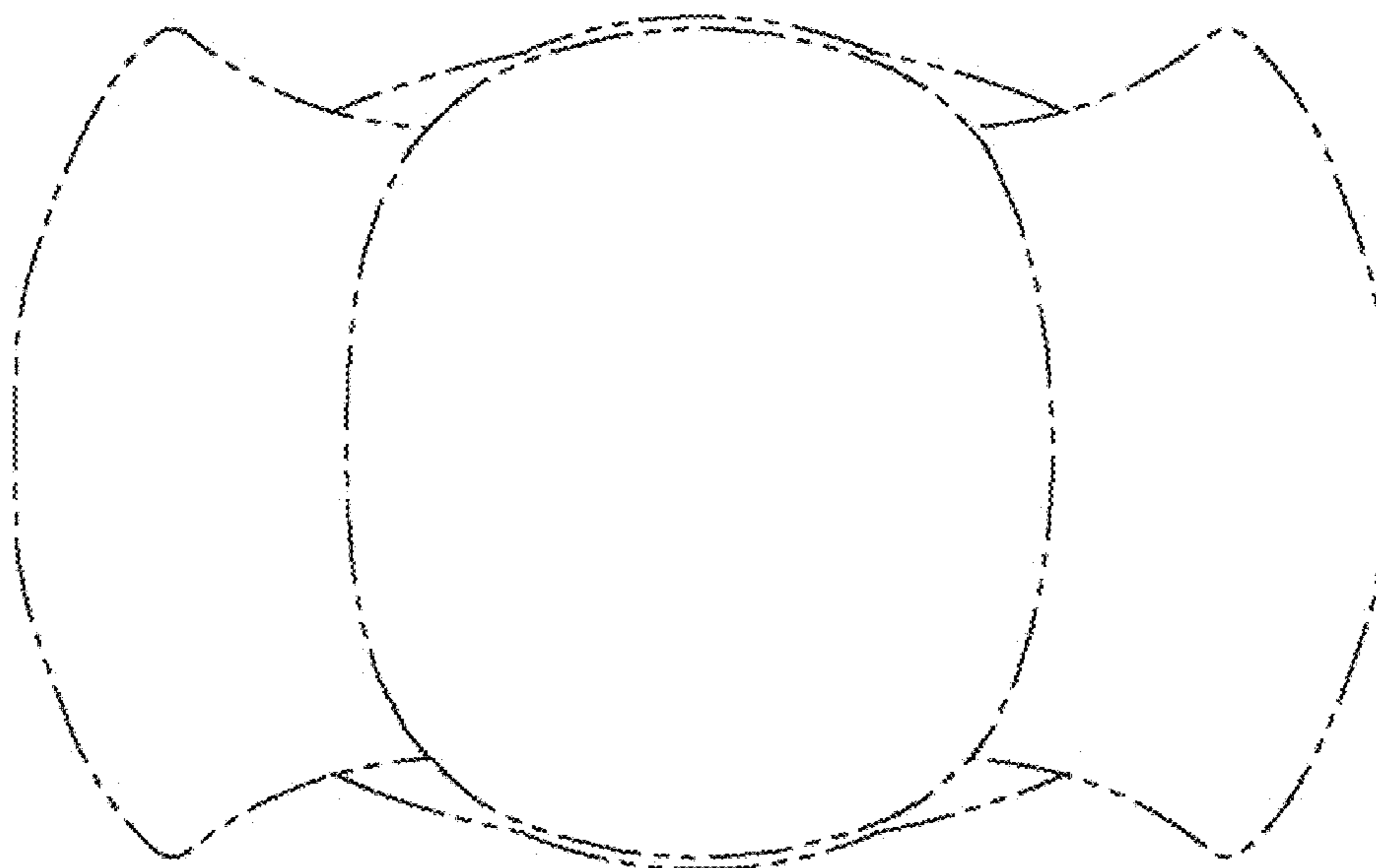


Fig. 7