



US00D620798S

(12) **United States Design Patent**
Cresswell et al.

(10) **Patent No.:** **US D620,798 S**
(45) **Date of Patent:** **** Aug. 3, 2010**

- (54) **SMOOTH LOOP CAP FOR STAINLESS STEEL BOTTLE**
- (76) Inventors: **Jeff Cresswell**, 4345 Hedstrom Way, Chico, CA (US) 95927; **Donald G Carlson**, 183 Sycamore Valley Rd., Chico, CA (US) 95973; **Chris Kalberer**, 4345 Hedstrom Way, Chico, CA (US) 95927

D519,380 S *	4/2006	Leoncavallo et al.	D9/530
D524,909 S *	7/2006	Bakke et al.	D23/233
D539,607 S *	4/2007	Lapsker	D7/510
D542,598 S *	5/2007	Karp	D7/510
D543,776 S *	6/2007	Yelland	D7/392.1
D547,607 S *	7/2007	Forsman	D7/396.2
D599,664 S *	9/2009	Fujinami et al.	D9/443
D608,195 S *	1/2010	Germann	D9/443
2004/0217139 A1 *	11/2004	Roth et al.	224/148.7

- (**) Term: **14 Years**
- (21) Appl. No.: **29/345,455**
- (22) Filed: **Oct. 15, 2009**

- (51) **LOC (9) Cl.** **09-07**
- (52) **U.S. Cl.** **D9/443**
- (58) **Field of Classification Search** D9/631, D9/456, 453, 451, 450, 449, 448, 447, 443, D9/436, 435; D7/511, 396.2, 394, 393, 392.1, D7/314, 305; 222/83, 81, 556, 533, 530, 222/519, 205, 192, 158, 153.07; 220/212.5, 220/200; 215/306, 305, 228, 200; 206/541, 206/222, 221, 220, 219, 216
See application file for complete search history.

(56) **References Cited**

U.S. PATENT DOCUMENTS

D235,303 S *	6/1975	Boucher	D7/672
D332,379 S *	1/1993	Murphy	D7/391
D422,503 S *	4/2000	Lehn	D9/503
D422,916 S *	4/2000	Herrmann	D9/501
D458,133 S *	6/2002	Berish et al.	D9/443
D458,134 S *	6/2002	Berish et al.	D9/443
D479,800 S *	9/2003	McRae	D9/443
D482,607 S *	11/2003	McRae	D9/614
D485,757 S *	1/2004	Roth et al.	D9/443

OTHER PUBLICATIONS

<http://mysigg.com/index.asp?PageAction=VIEWCATS&Category=64>, Downloaded From Internet Mar. 26, 2010.*

* cited by examiner

Primary Examiner—Susan Bennett Hattan

(74) *Attorney, Agent, or Firm*—Alleman Hall McCoy Russell & Tuttle LLP

(57) **CLAIM**

The ornamental design for a smooth loop cap for stainless steel bottle, as shown.

DESCRIPTION

FIG. 1 is a front elevational view of the smooth loop cap for stainless steel bottle;

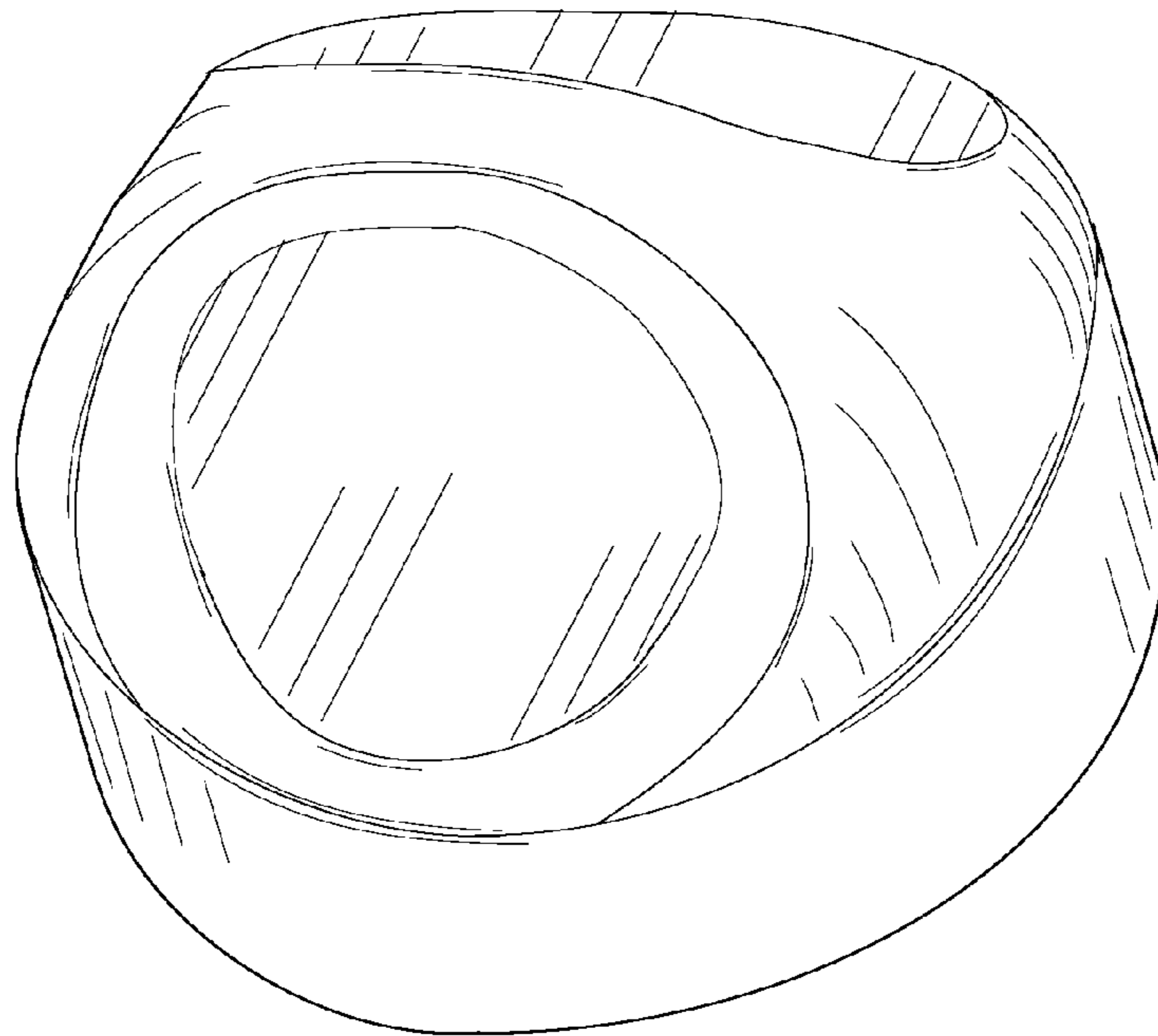
FIG. 2 is a bottom plan view of the smooth loop cap for stainless steel bottle;

FIG. 3 is a top plan view of the smooth loop cap for stainless steel bottle;

FIG. 4 is a side elevational view of the smooth loop cap for stainless steel bottle; and,

FIG. 5 is a perspective view of the smooth loop cap for stainless steel bottle.

1 Claim, 3 Drawing Sheets



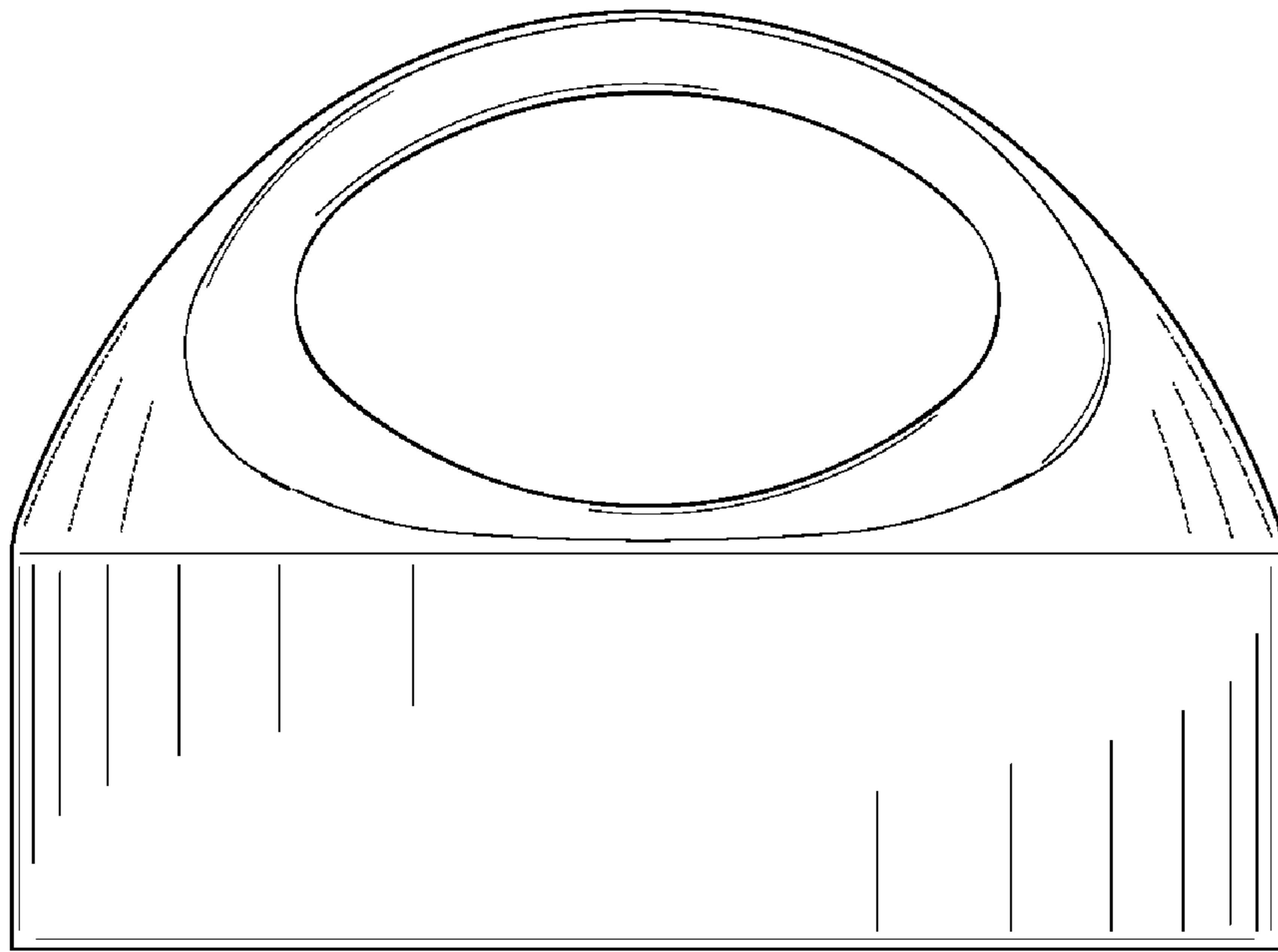


FIG. 1

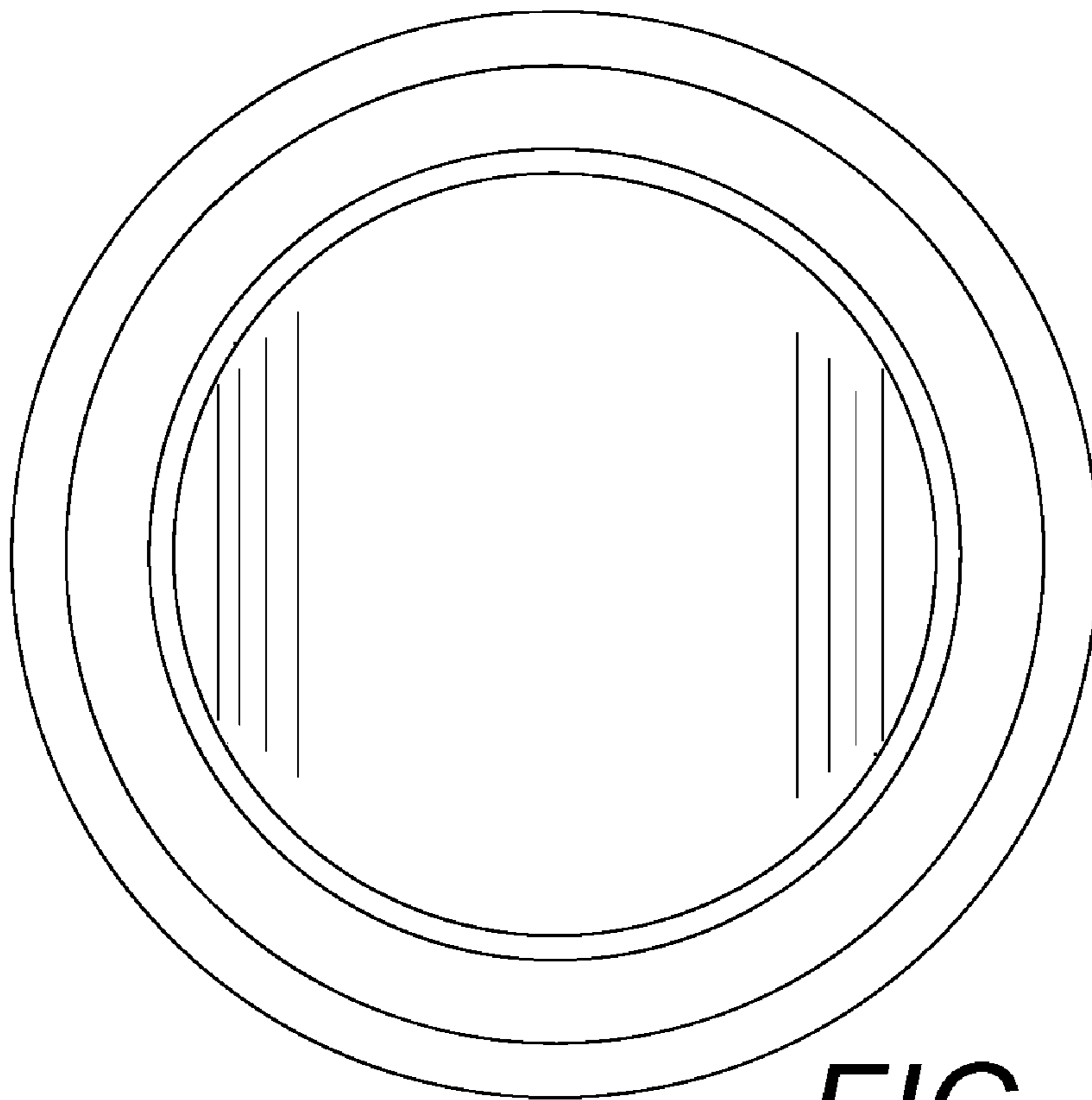


FIG. 2

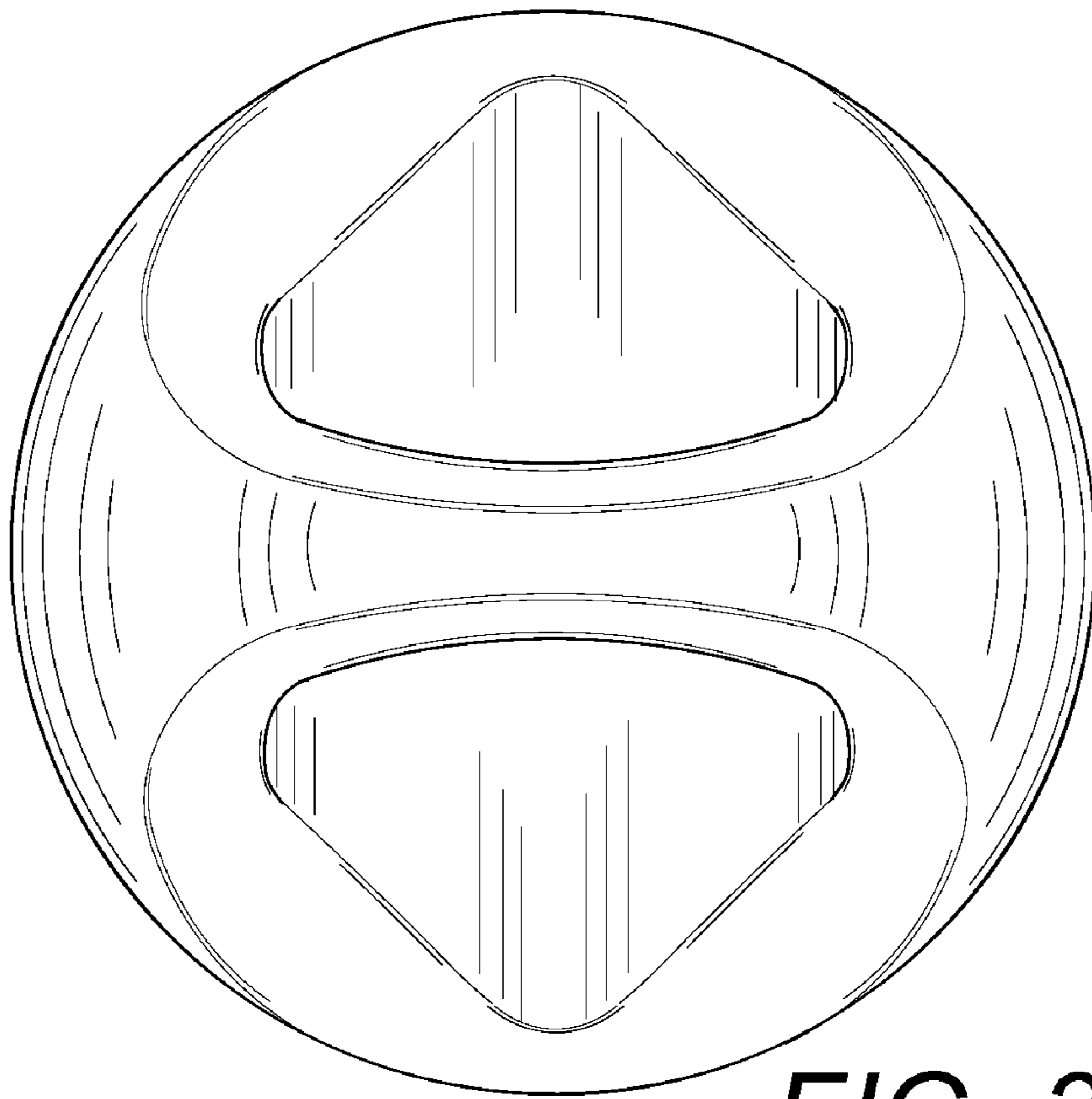


FIG. 3

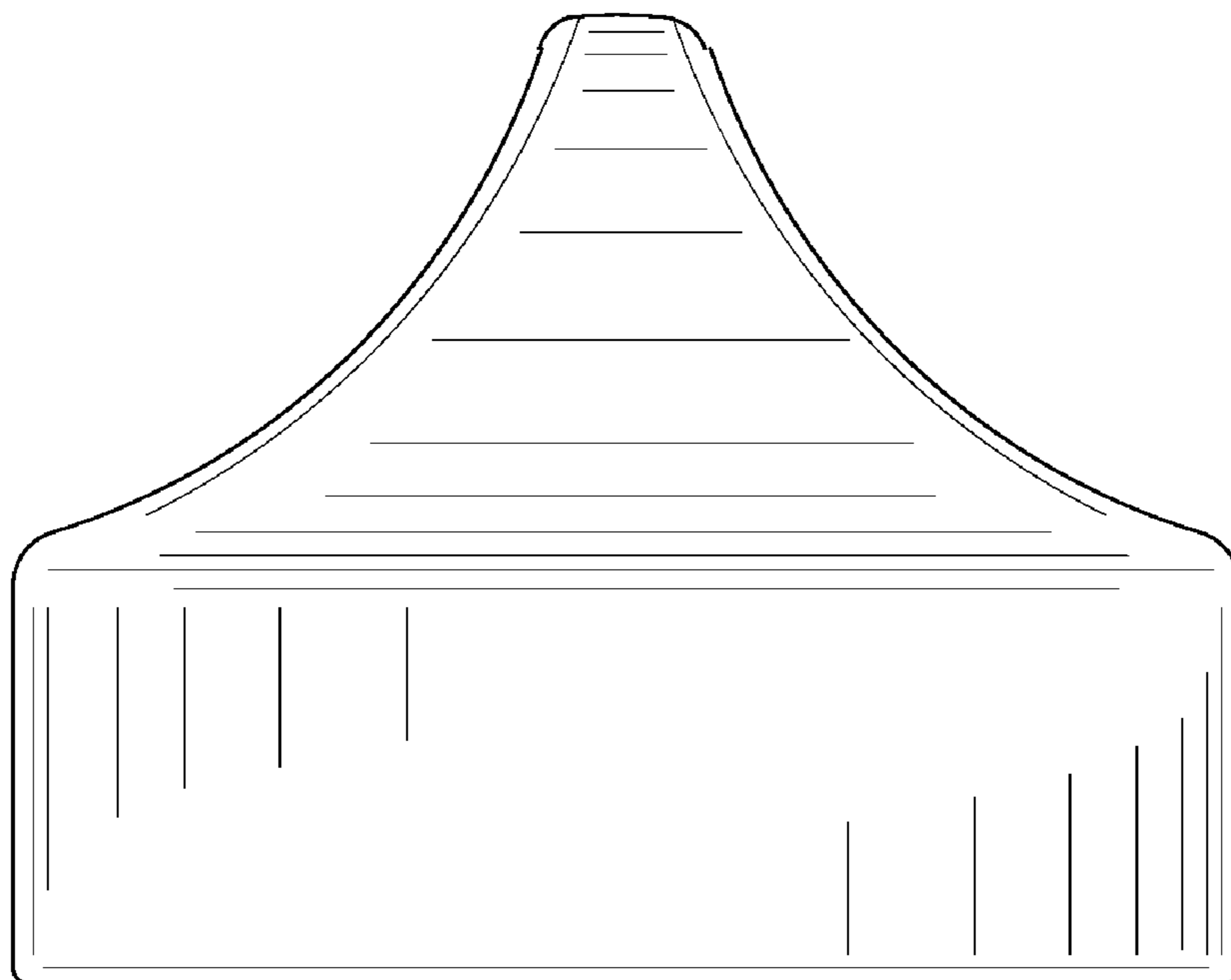


FIG. 4

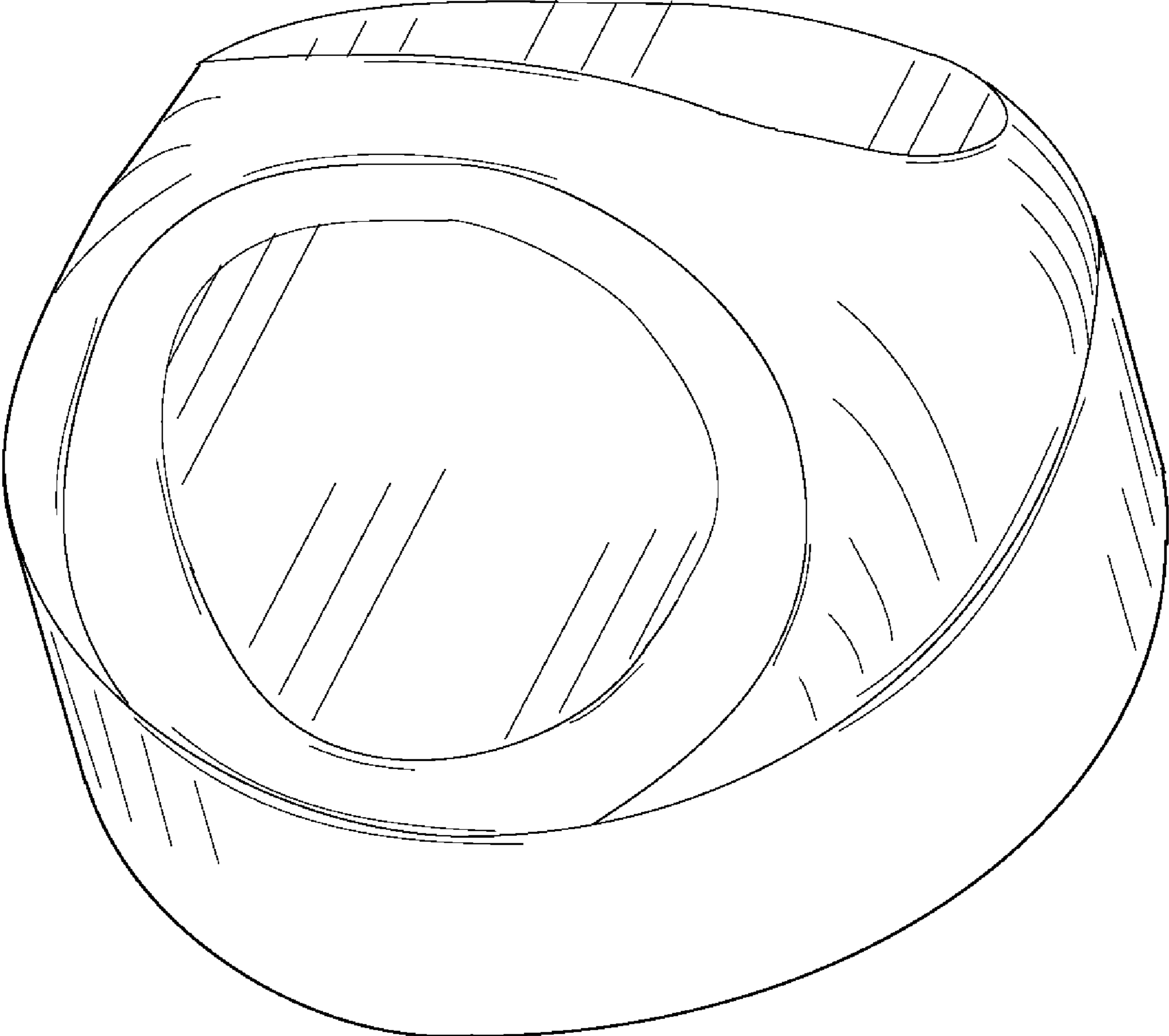


FIG. 5