



US00D620797S

(12) **United States Design Patent**
Waaland

(10) **Patent No.:** **US D620,797 S**

(45) **Date of Patent:** **** Aug. 3, 2010**

(54) **BEVERAGE TOPPER**

(75) Inventor: **Jeffrey L. Waaland**, Washingtonville,
NY (US)

(73) Assignee: **Golden Link, Inc.**, Washingtonville, NY
(US)

(**) Term: **14 Years**

(21) Appl. No.: **29/339,836**

(22) Filed: **Jul. 8, 2009**

(51) **LOC (9) Cl.** **09-07**

(52) **U.S. Cl.** **D9/439; D9/454**

(58) **Field of Classification Search** D9/907,
D9/697, 696, 695, 530, 454, 453, 445, 444,
D9/443, 442, 439, 438, 436, 435, 434, 415;
D7/536, 535, 533, 511, 396.2, 391; D3/326,
D3/318, 302, 294; 222/568, 567, 566, 376,
222/288, 214, 212.5; 215/356, 329, 305,
215/228, 11.1

See application file for complete search history.

(56) **References Cited**

U.S. PATENT DOCUMENTS

5,261,848 A * 11/1993 Kaplan et al. 446/74
D475,293 S * 6/2003 Abrams D9/441

D506,672 S * 6/2005 Hina D9/436
D507,180 S * 7/2005 Hina D9/436
D512,310 S * 12/2005 Hite D9/454
D528,798 S * 9/2006 Molina D3/318
D536,966 S * 2/2007 Cecere D9/436

* cited by examiner

Primary Examiner—Susan Bennett Hattan

(74) *Attorney, Agent, or Firm*—Baker & Hostetler, LLP

(57) **CLAIM**

The ornamental design for a beverage topper, as shown and described.

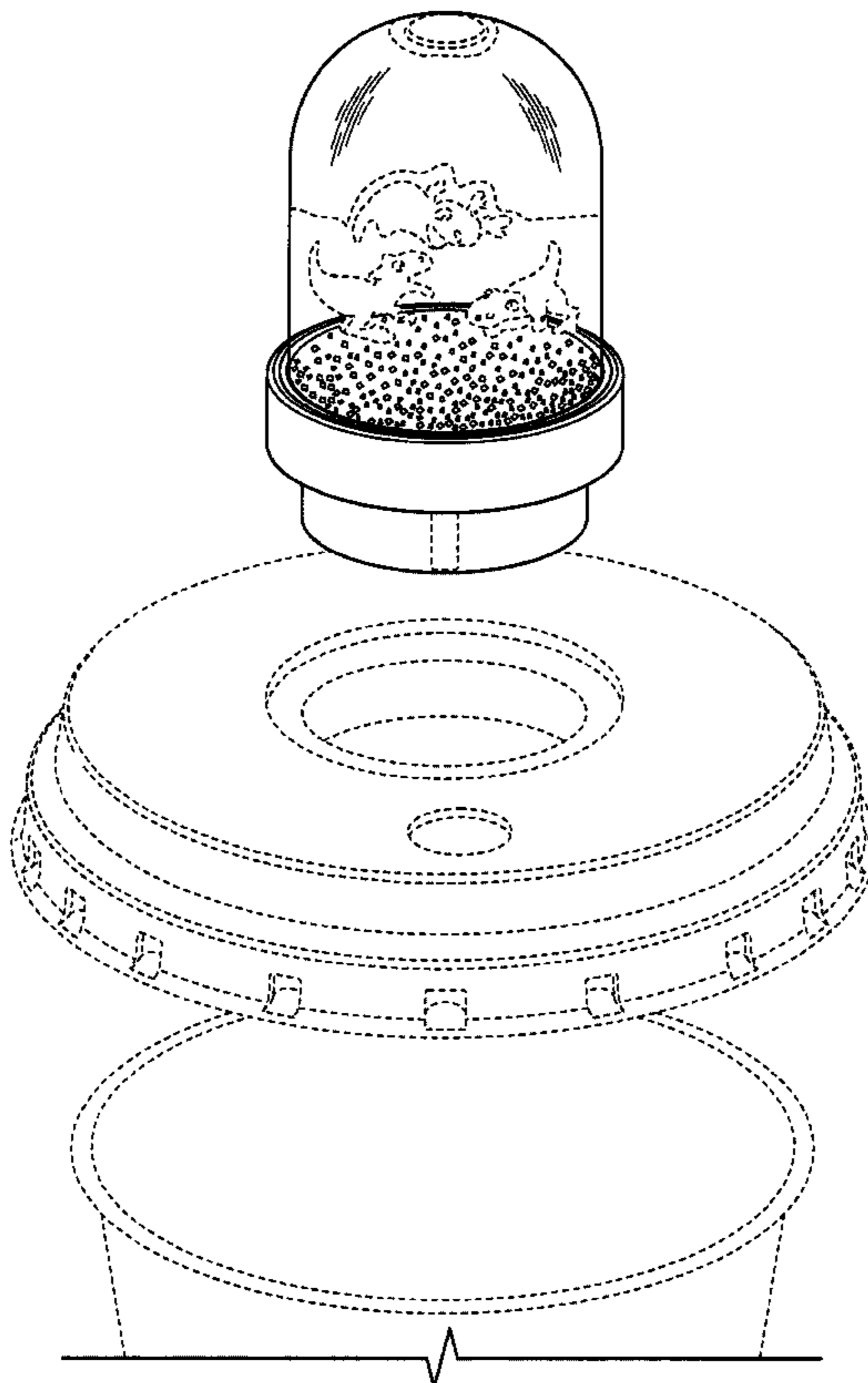
DESCRIPTION

FIG. 1 is a perspective elevational view of the beverage topper of the present invention containing ornamental objects and snowflake particles in suspension in a liquid, with the topper shown in relation to a beverage container within which the topper is to be inserted; and,

FIG. 2 is another perspective elevational view of the beverage topper of FIG. 1 after being shaken with the snowflake particles shown distributed throughout the liquid suspension medium.

The broken lines in the drawings depict environmental subject matter only and form no part of the claimed design.

1 Claim, 2 Drawing Sheets



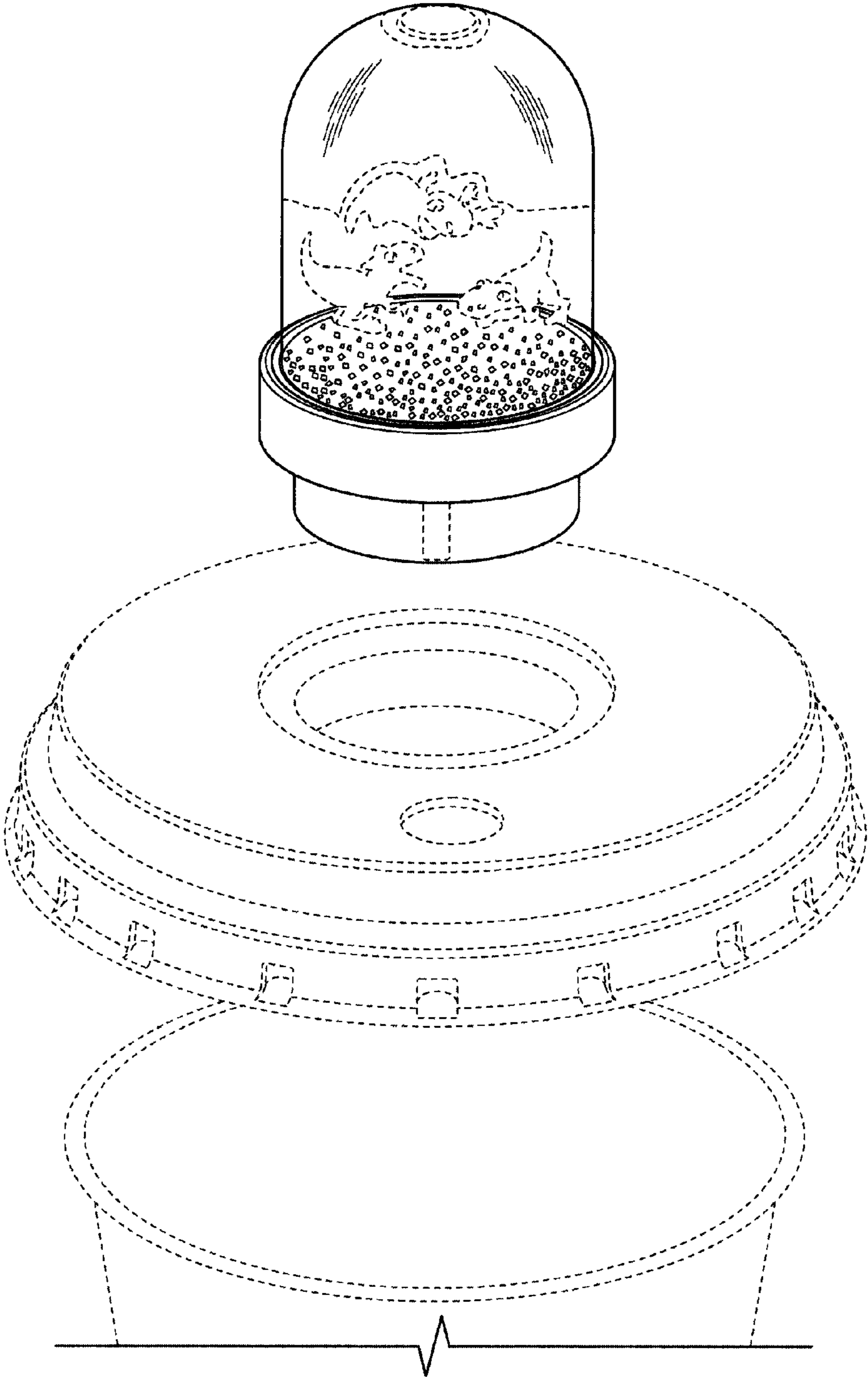


FIG. 1

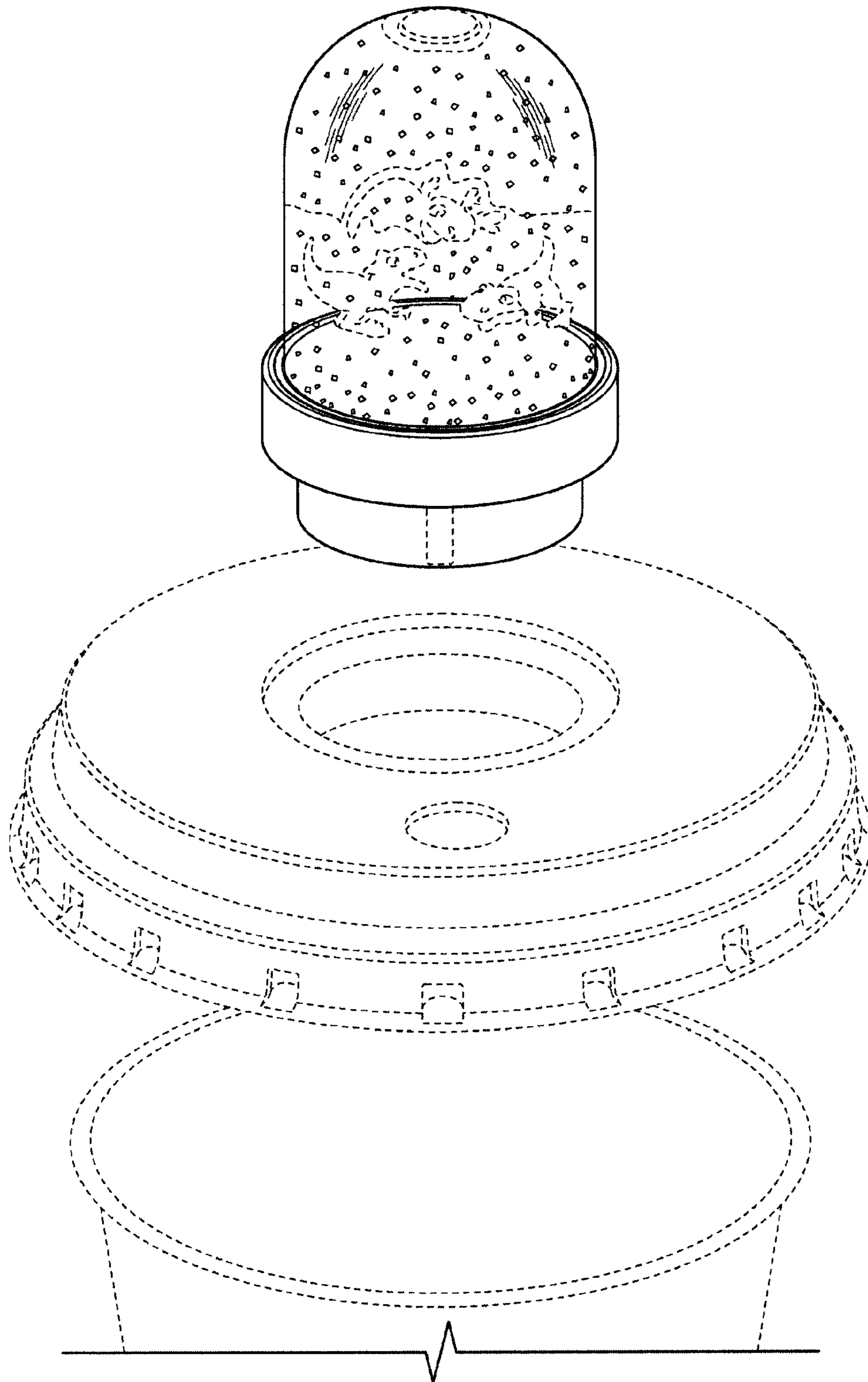


FIG. 2