



US00D620795S

(12) **United States Design Patent**
Andre et al.

(10) **Patent No.:** **US D620,795 S**

(45) **Date of Patent:** **** Aug. 3, 2010**

(54) **PACKAGING**

(75) Inventors: **Bartley K. Andre**, Menlo Park, CA (US); **Daniel J. Coster**, San Francisco, CA (US); **Daniele De Iuliis**, San Francisco, CA (US); **Richard P. Howarth**, San Francisco, CA (US); **Jonathan P. Ive**, San Francisco, CA (US); **Steve Jobs**, Palo Alto, CA (US); **Duncan Robert Kerr**, San Francisco, CA (US); **Shin Nishibori**, Portola Valley, CA (US); **Matthew Dean Rohrbach**, San Francisco, CA (US); **Peter Russell-Clarke**, San Francisco, CA (US); **Douglas B. Satzger**, Menlo Park, CA (US); **Calvin Q. Seid**, Palo Alto, CA (US); **Vincent Keane Seid**, legal representative, Los Gatos, CA (US); **Christopher J. Stringer**, Woodside, CA (US); **Eugene Antony Whang**, San Francisco, CA (US); **Rico Zorkendorfer**, San Francisco, CA (US)

(73) Assignee: **Apple Inc.**, Cupertino, CA (US)

(**) Term: **14 Years**

(21) Appl. No.: **29/340,508**

(22) Filed: **Jul. 20, 2009**

Related U.S. Application Data

(62) Division of application No. 29/281,505, filed on Jun. 25, 2007, now Pat. No. Des. 596,485.

(51) **LOC (9) Cl.** **09-03**

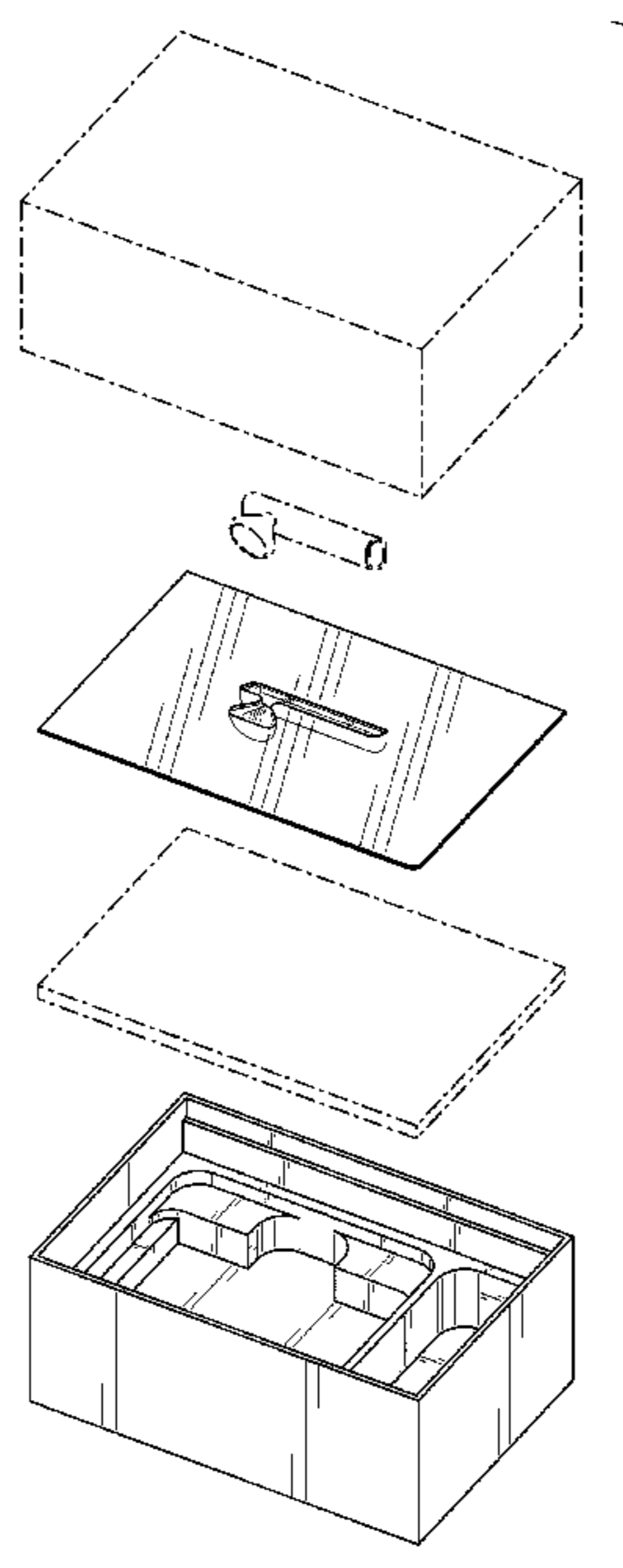
(52) **U.S. Cl.** **D9/432**

(58) **Field of Classification Search** D9/430-433, D9/414, 418, 420-423, 424, 428, 529, 560; 206/278, 297, 299, 433, 457, 770, 737, 769, 206/776, 777, 778; 229/100, 101, 103.3, 229/106, 107, 108, 108.1, 109, 110, 112, 229/116, 116.5, 117, 117.01, 117.03-117.08, 229/121, 122, 122.24, 122.29, 125.015, 126, 229/152, 181.1, 185.1, 186, 201, 917, 922, 229/923, 930-933, 935, 937, 939, 942; 220/796
See application file for complete search history.

(56) **References Cited**

U.S. PATENT DOCUMENTS

1,315,593	A	9/1919	Binder	
1,518,219	A	12/1924	Peter	
1,650,039	A *	11/1927	Price	206/772
D111,649	S	10/1938	Di domenico	
D114,891	S	5/1939	Fogel	
2,316,384	A *	4/1943	Abramson	229/122.31
2,606,708	A *	8/1952	Irvan	220/796
2,722,719	A	11/1955	Alstadter	
3,463,309	A	8/1969	Szostek	
3,487,921	A	1/1970	Barth et al.	
3,850,333	A	11/1974	Reichert	
D246,349	S	11/1977	Klupt	
4,085,845	A	4/1978	Perfect	
D248,621	S	7/1978	Hay et al.	
4,106,597	A	8/1978	Shook et al.	
4,293,074	A	10/1981	Dunsky	
D280,290	S	8/1985	Bakus	
4,542,822	A	9/1985	Kennedy, Jr. et al.	
4,606,459	A	8/1986	Luray	
4,606,460	A	8/1986	Luray	
4,739,353	A	4/1988	Heuer et al.	
4,876,136	A	10/1989	Chang et al.	
4,953,705	A	9/1990	Evamy	
5,040,678	A	8/1991	Lenmark, Sr. et al.	
5,105,941	A	4/1992	Dolan et al.	
D331,191	S	11/1992	Ventola et al.	



5,251,760	A	10/1993	Smith et al.	
5,295,580	A	3/1994	Hicks	
5,484,063	A	1/1996	Cuccio et al.	
D369,295	S	4/1996	Kobari et al.	
D369,469	S	5/1996	Gregory	
5,573,119	A	11/1996	Luray	
D382,735	S	8/1997	Zapf	
D385,156	S	10/1997	Balari	
5,694,744	A	12/1997	Jones	
D397,552	S	9/1998	Rutledge	
D406,463	S	3/1999	Rutledge	
5,893,462	A	4/1999	Ridgeway	
D411,448	S	6/1999	Baker	
5,967,327	A	10/1999	Jones	
D417,391	S	12/1999	Szczepanski et al.	
6,010,006	A	1/2000	Ridgeway et al.	
6,154,360	A	11/2000	Kaczeus, Sr. et al.	
6,241,090	B1	6/2001	Kaplinsky	
6,302,274	B1	10/2001	Ridgeway	
6,305,539	B1	10/2001	Sanders, Jr.	
6,367,624	B1	4/2002	Szczepanski et al.	
6,400,247	B1	6/2002	King	
D490,977	S	6/2004	Freeman	
6,920,981	B2	7/2005	Lofgren et al.	
7,086,534	B2	8/2006	Roesel et al.	
7,117,993	B2	10/2006	Koike	
D541,045	S	4/2007	Peart et al.	
7,296,681	B2	11/2007	McDonald et al.	
D558,571	S	1/2008	Andre et al.	
D558,572	S	1/2008	Andre et al.	
D580,752	S	11/2008	Andre et al.	
D582,267	S	12/2008	Andre et al.	
D584,142	S	1/2009	Andre et al.	
7,494,015	B2	2/2009	Bacon et al.	
7,506,758	B2	3/2009	Davis-Garrison	
7,520,389	B2	4/2009	Lalouette	
D607,317	S *	1/2010	Collins	D9/423
2006/0266672	A1	11/2006	Young	

FOREIGN PATENT DOCUMENTS

EM	00056403-0001	8/2006
JP	61-40925	3/1986
JP	D1066280	4/2000
JP	D1079431	7/2000
KR	30-0267299	12/2000
KR	300426293000	9/2006
TW	0488766	9/1989
TW	D105819	8/2005

OTHER PUBLICATIONS

- U.S. Appl. No. 11/849,176 entitled "Packaging" filed Aug. 31, 2007.
- U.S. Appl. No. 29/284,343 entitled "Packaging" filed Sep. 5, 2007.
- U.S. Appl. No. 29/296,502 entitled "Package" filed Oct. 22, 2007.

* cited by examiner

Primary Examiner—Robert M Spear
Assistant Examiner—Karen Acker
 (74) *Attorney, Agent, or Firm*—Sterne, Kessler, Goldstein & Fox PLLC

(57) **CLAIM**

The ornamental design for packaging, as shown and described.

DESCRIPTION

FIG. 1 is an exploded perspective view of packaging showing our new design in combination with structures drawn in broken line with which it may be used;

FIG. 2 is a perspective view of the design of FIG. 1 assembled and in condition of use;

FIG. 3 is another perspective view of the design of FIG. 2, with the structure drawn in broken lines in FIG. 2 removed;

FIG. 4 is a top perspective view of a portion of the packaging of FIG. 1 shown in a condition of use;

FIG. 5 is another top perspective view of a portion of the packaging of FIG. 4, with the structure drawn in broken lines in FIG. 4 removed;

FIG. 6 is a bottom perspective view of FIG. 5;

FIG. 7 is a front view of FIG. 5;

FIG. 8 is a rear view of FIG. 5;

FIG. 9 is a side view of FIG. 5;

FIG. 10 is another side view of FIG. 5;

FIG. 11 is a top plan view of FIG. 5;

FIG. 12 is a bottom plan view of FIG. 5;

FIG. 13 is a perspective view of a second portion of the packaging of FIG. 1;

FIG. 14 is a front view of FIG. 13;

FIG. 15 is a rear view of FIG. 13;

FIG. 16 is a side view of FIG. 13;

FIG. 17 is another side view of FIG. 13;

FIG. 18 is a top plan view of FIG. 13; and,

FIG. 19 is a bottom plan view of FIG. 13.

The broken lines in the drawings depict portions of packaging that are not part of the claim. Structures drawn in broken lines are included for the purpose of showing the design in a condition of use. The broken line structures and features they depict form no part of the claimed design.

1 Claim, 13 Drawing Sheets

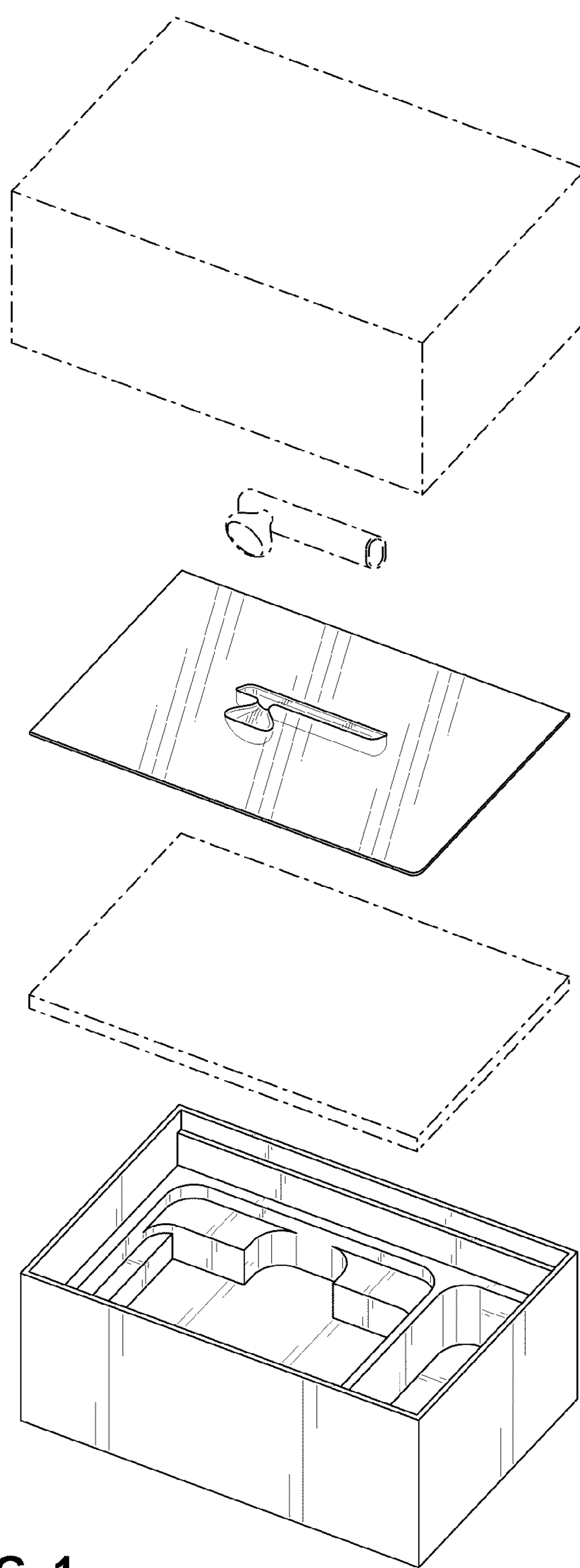


FIG. 1

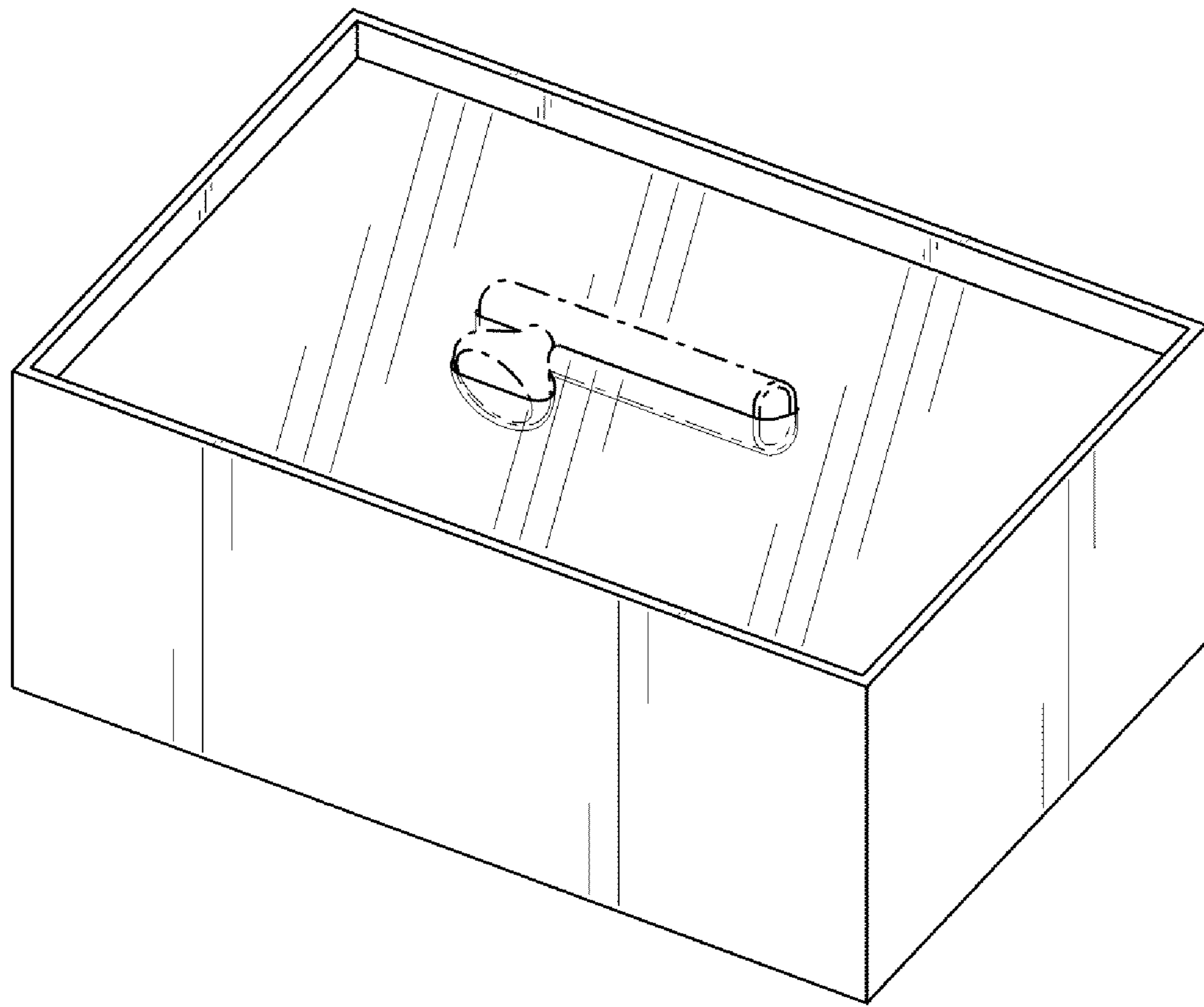


FIG. 2

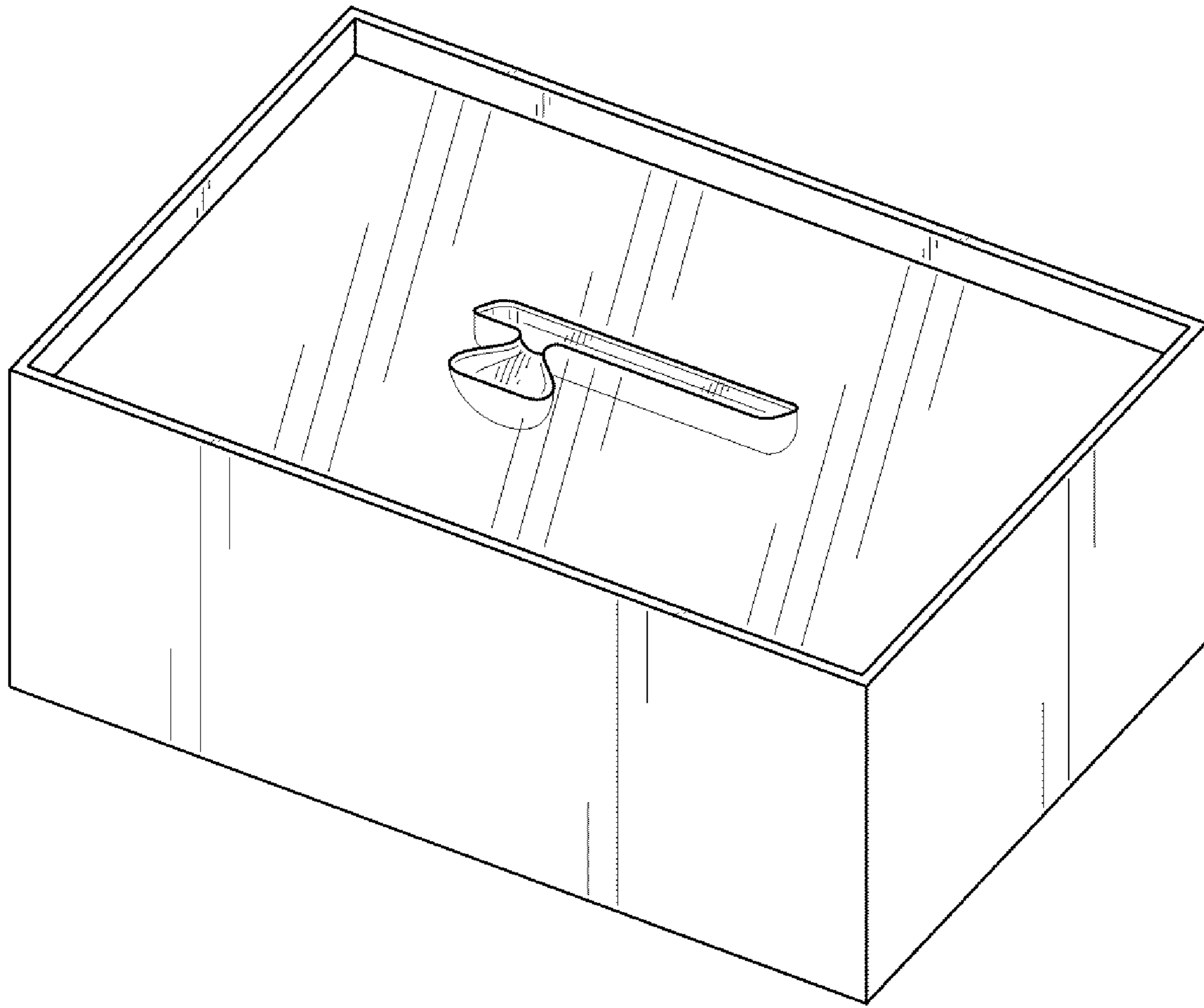


FIG. 3

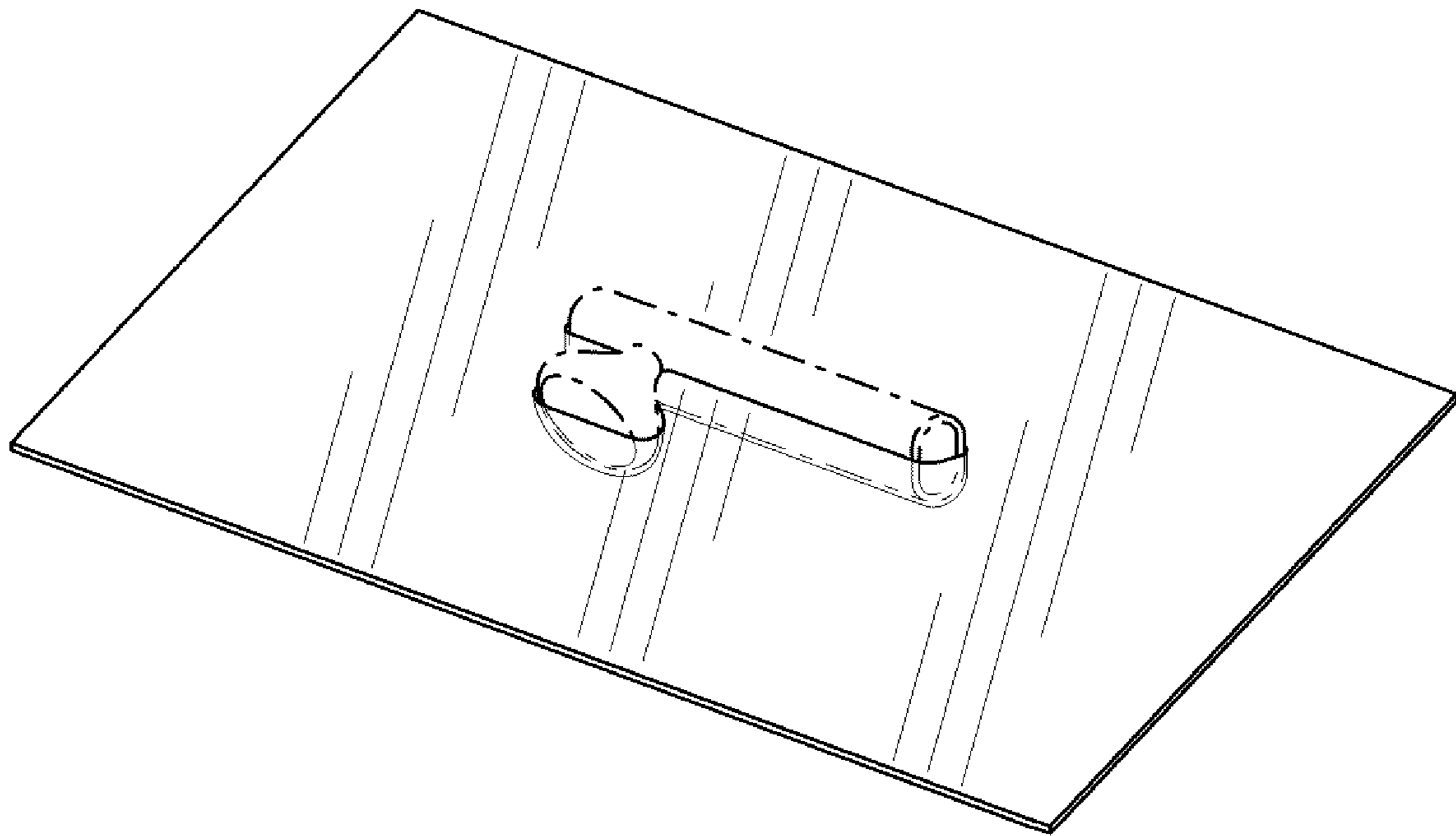


FIG. 4

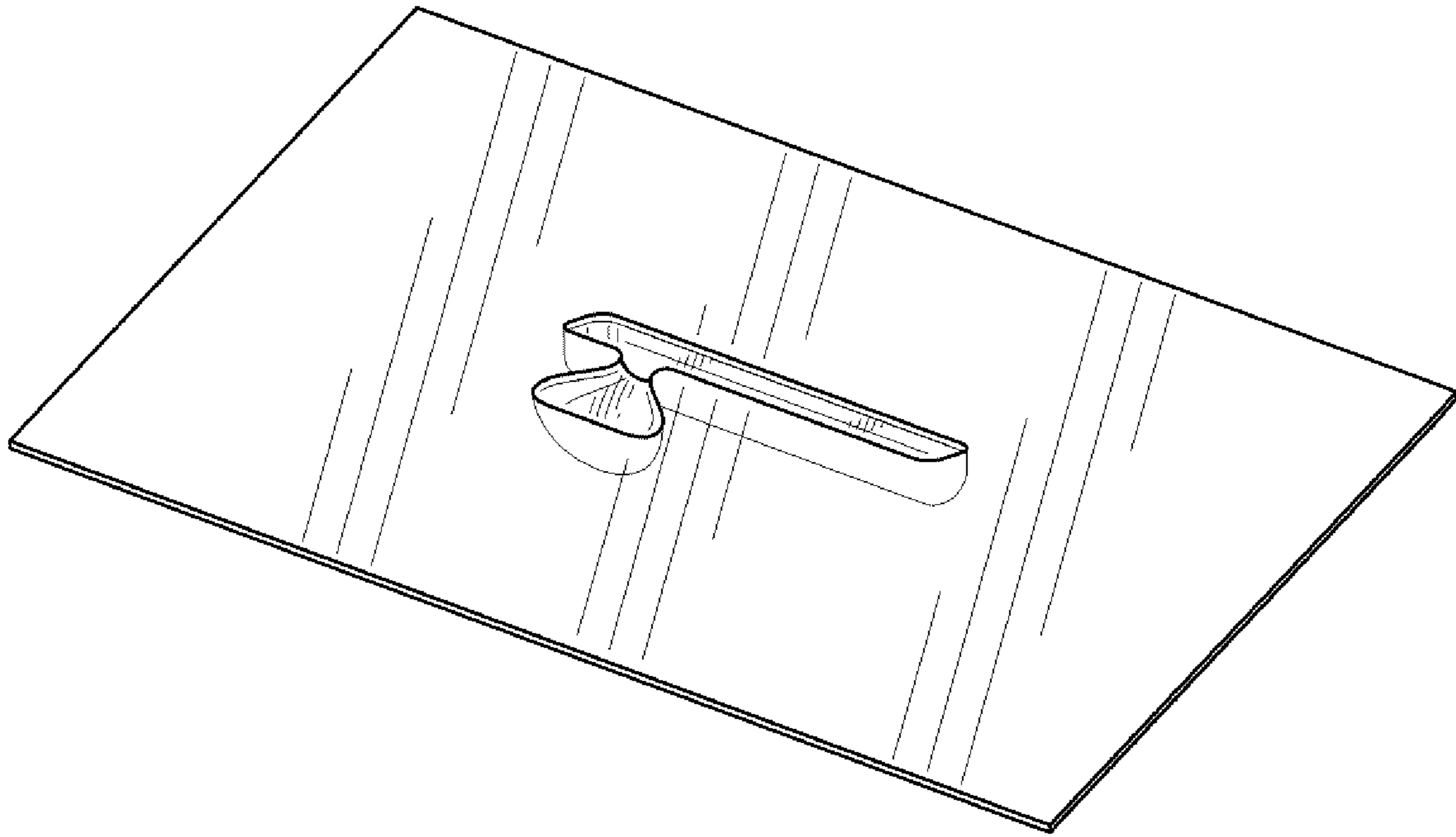


FIG. 5

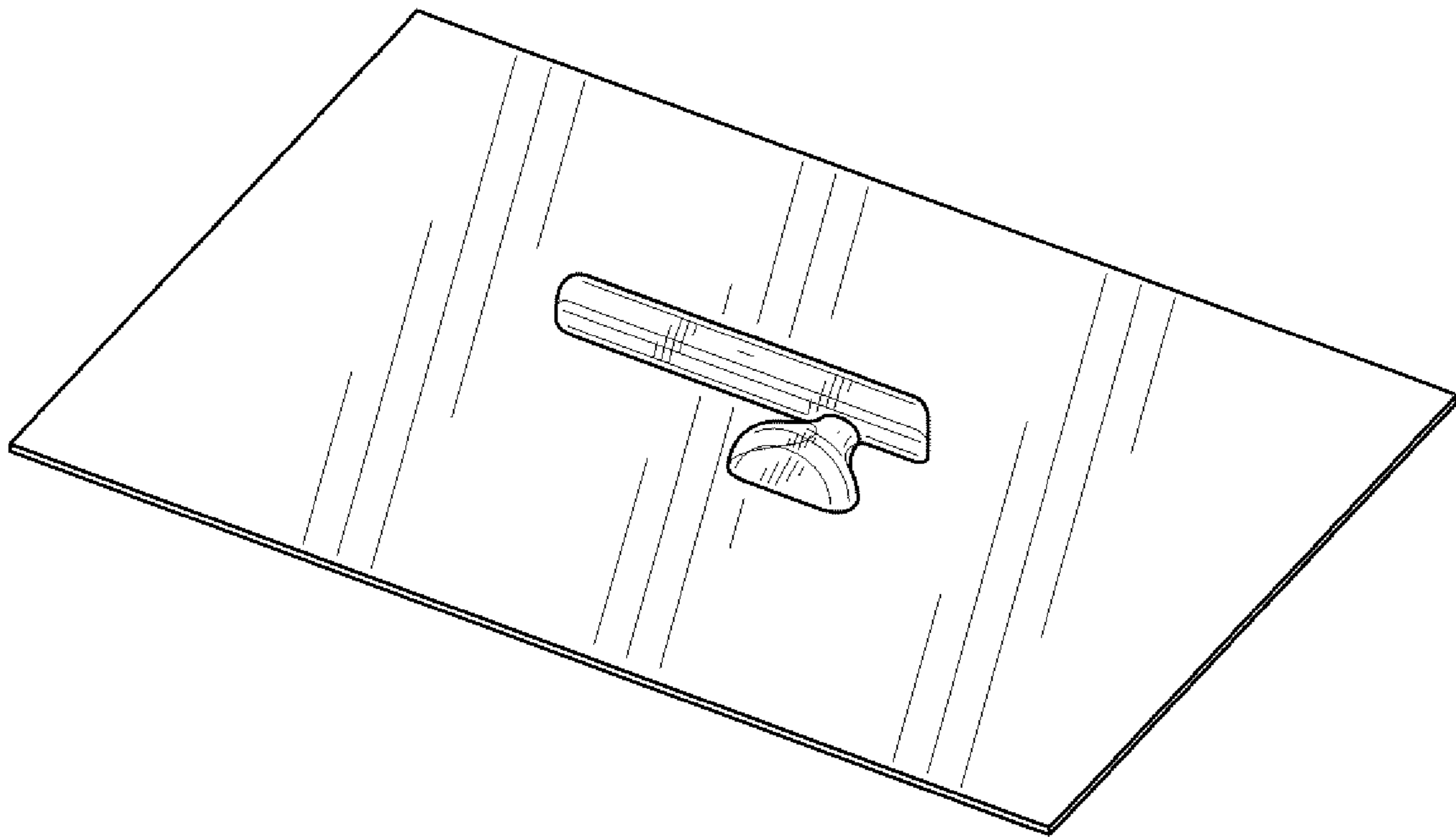


FIG. 6



FIG. 7

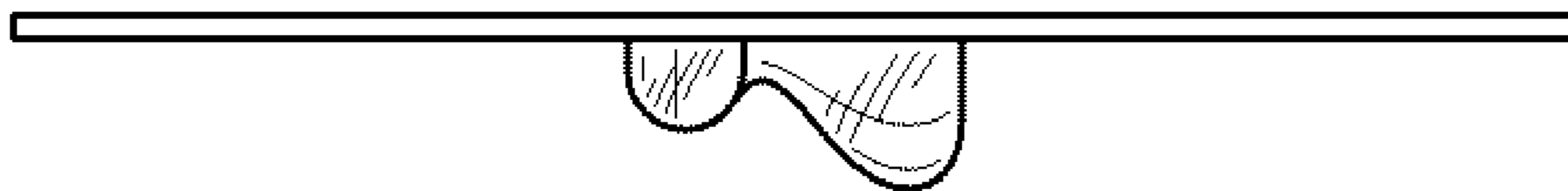


FIG. 8

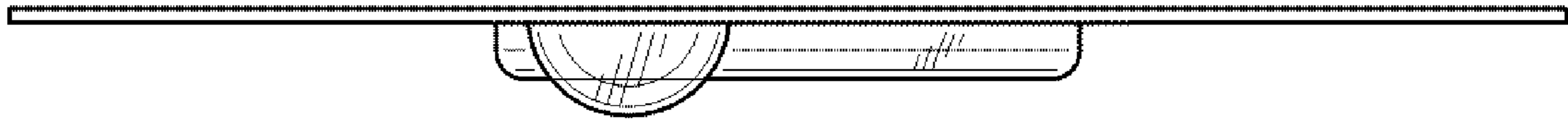


FIG. 9

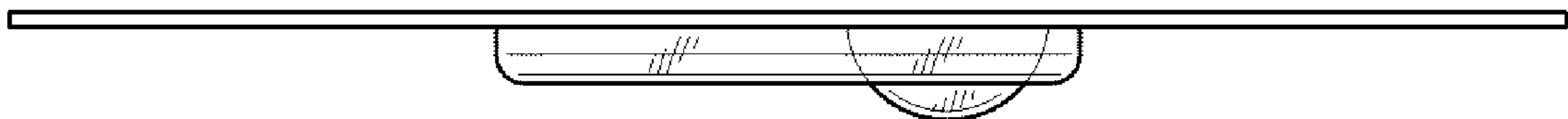


FIG. 10

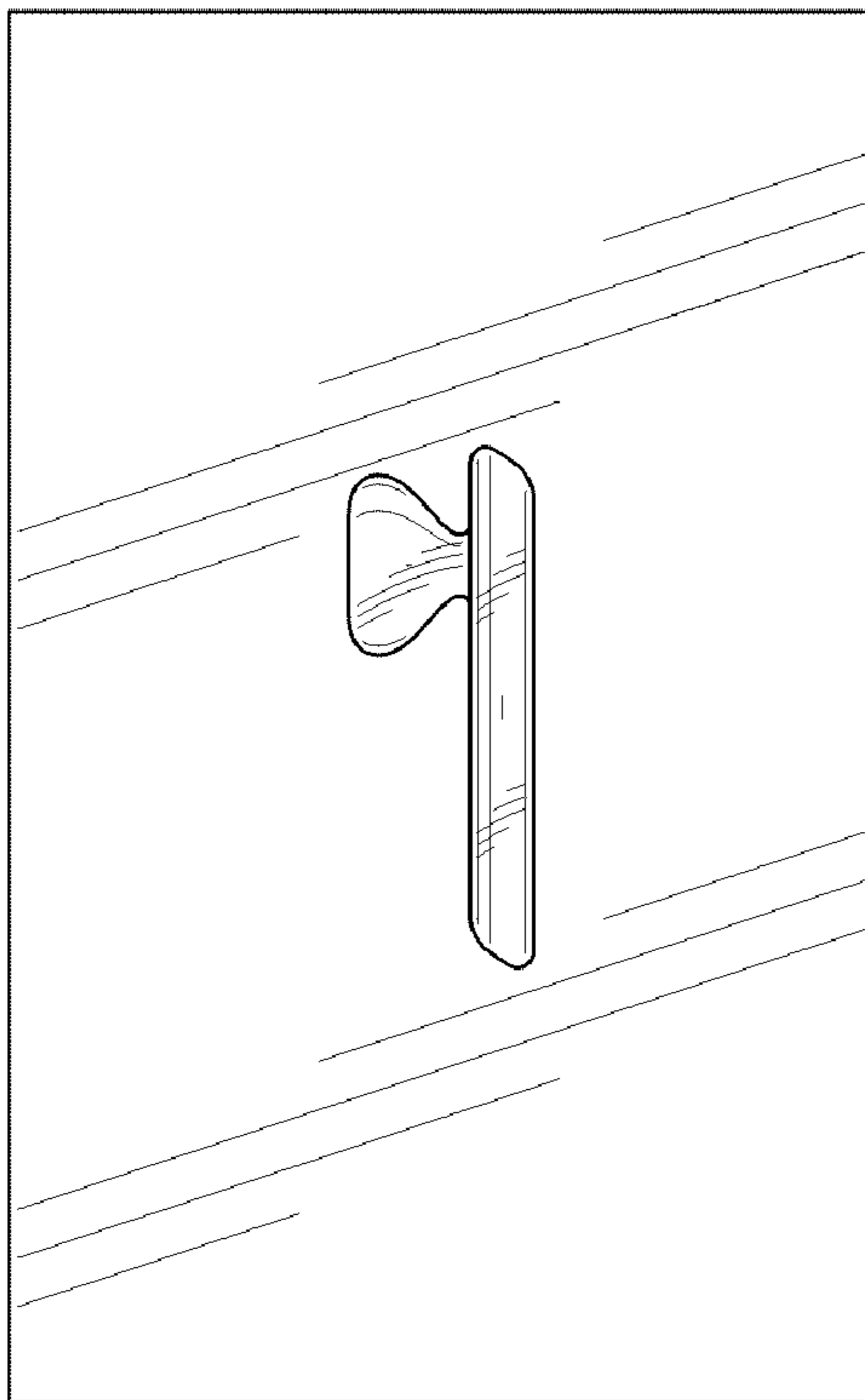


FIG. 11

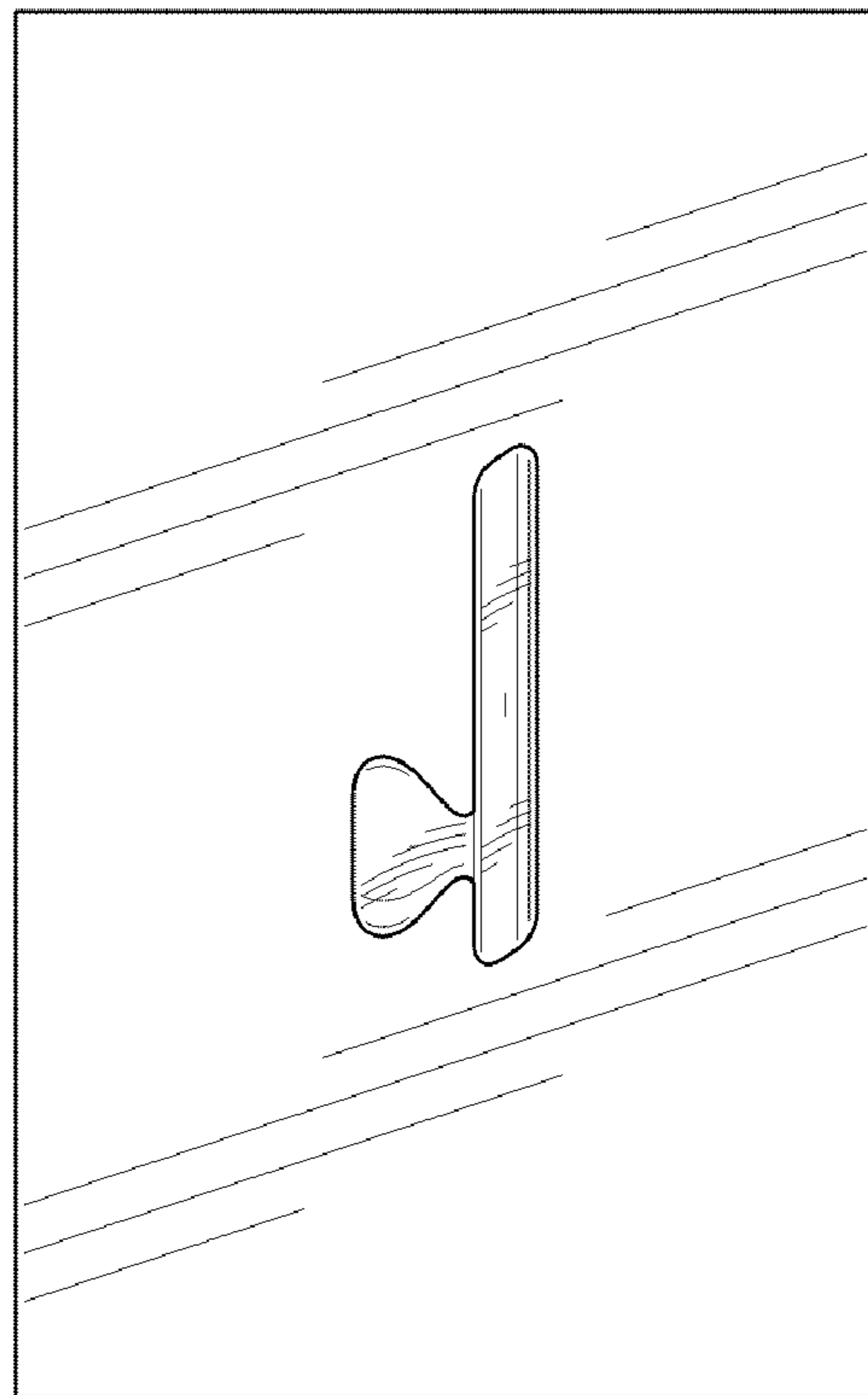


FIG. 12

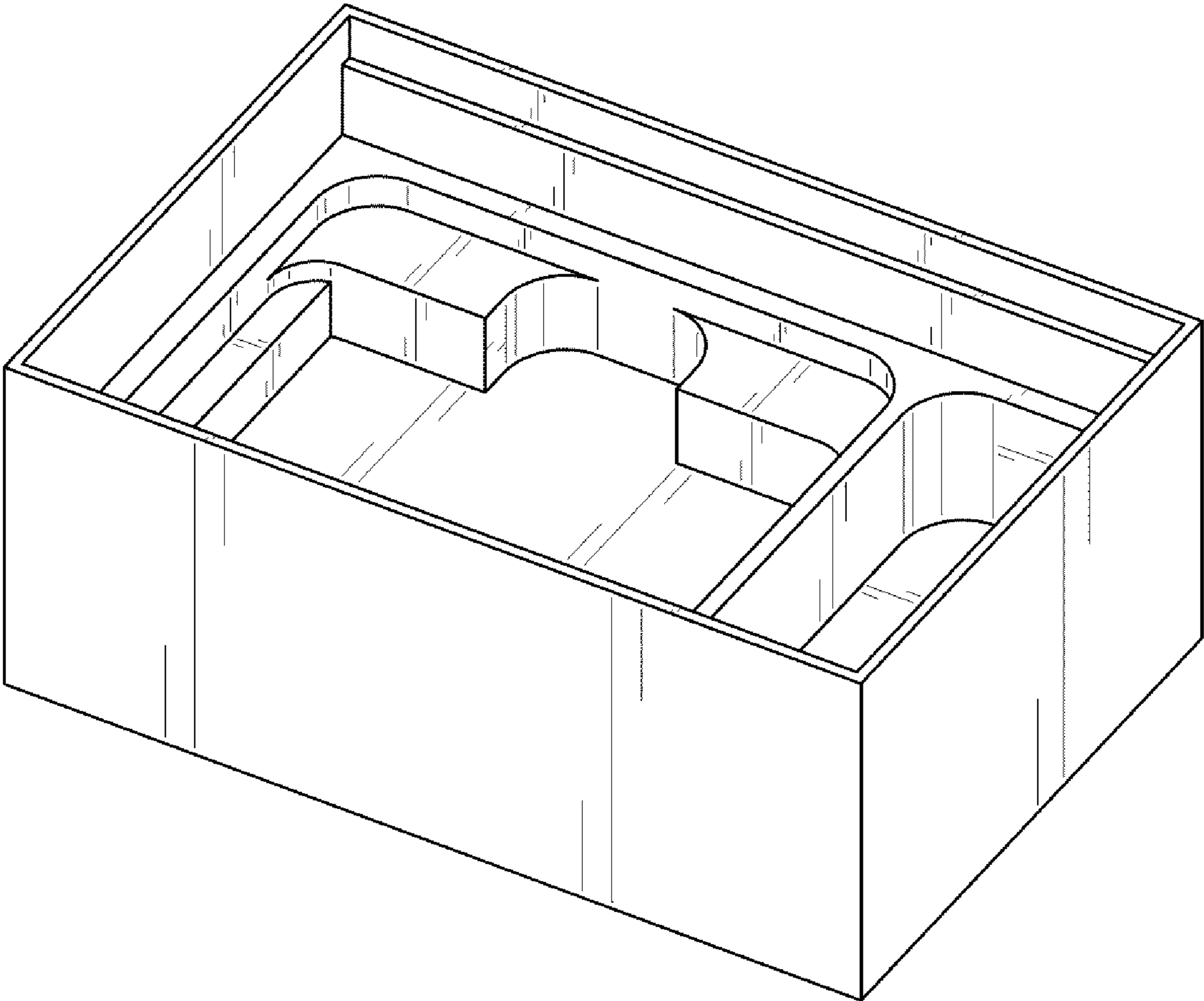


FIG. 13

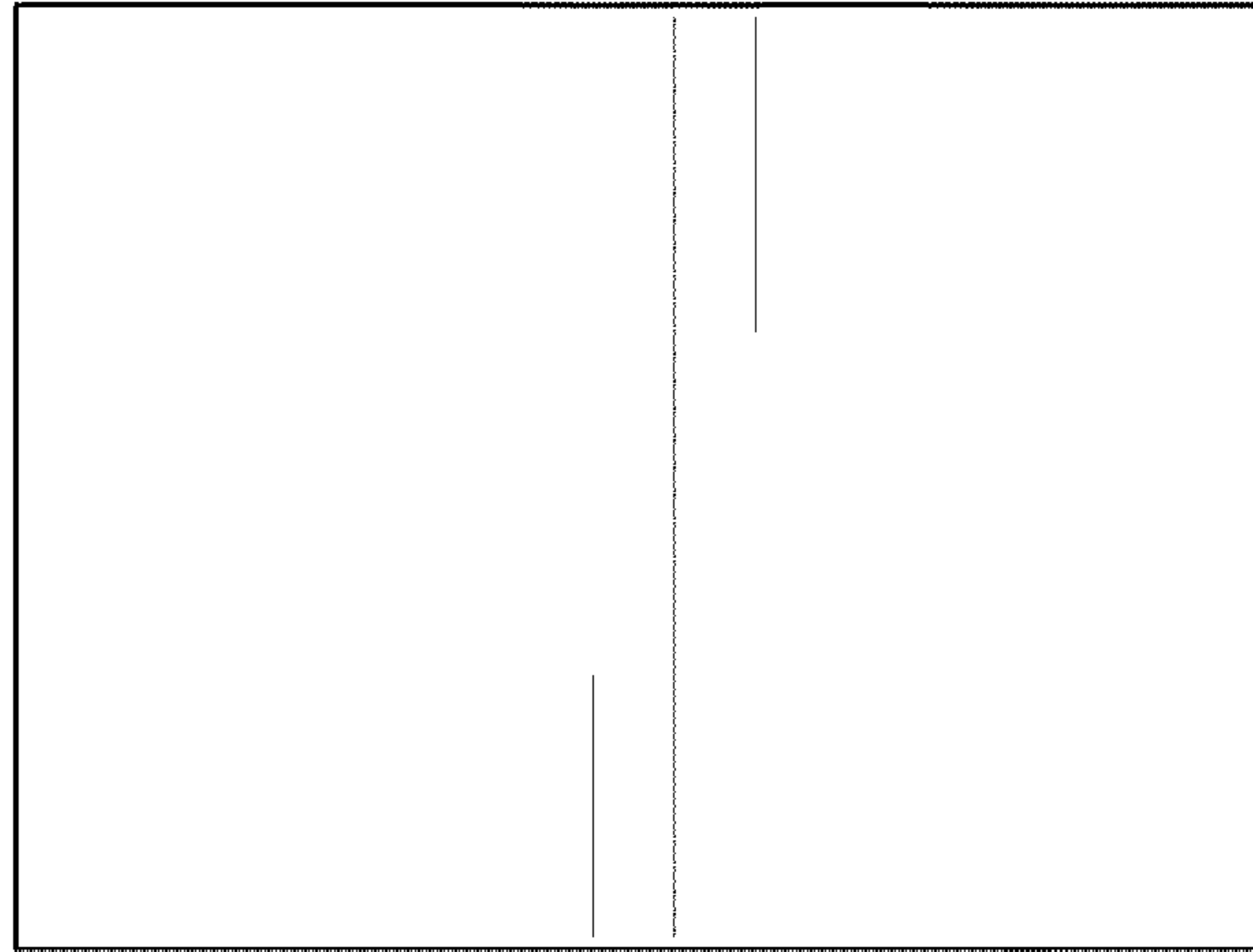


FIG. 14



FIG. 15

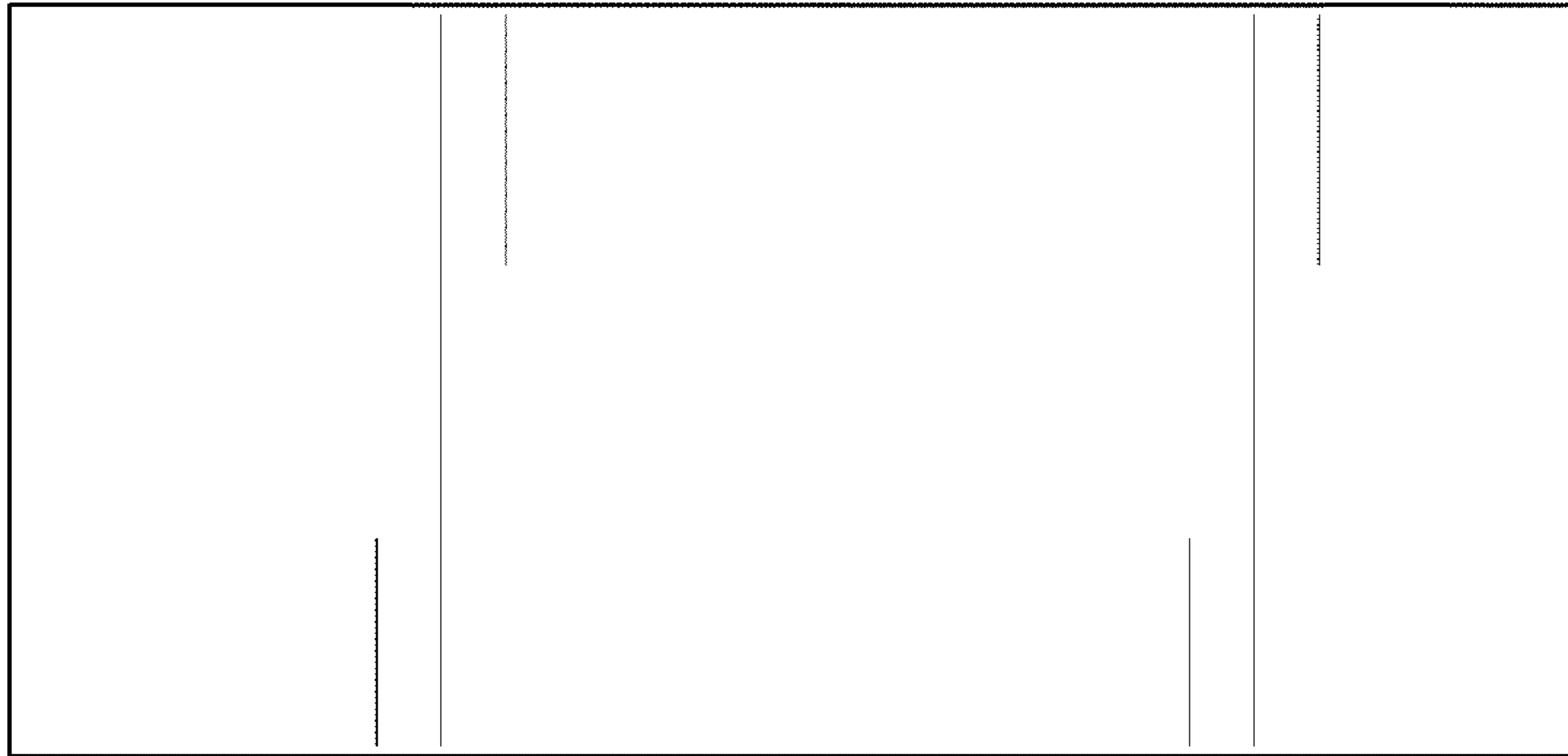


FIG. 16

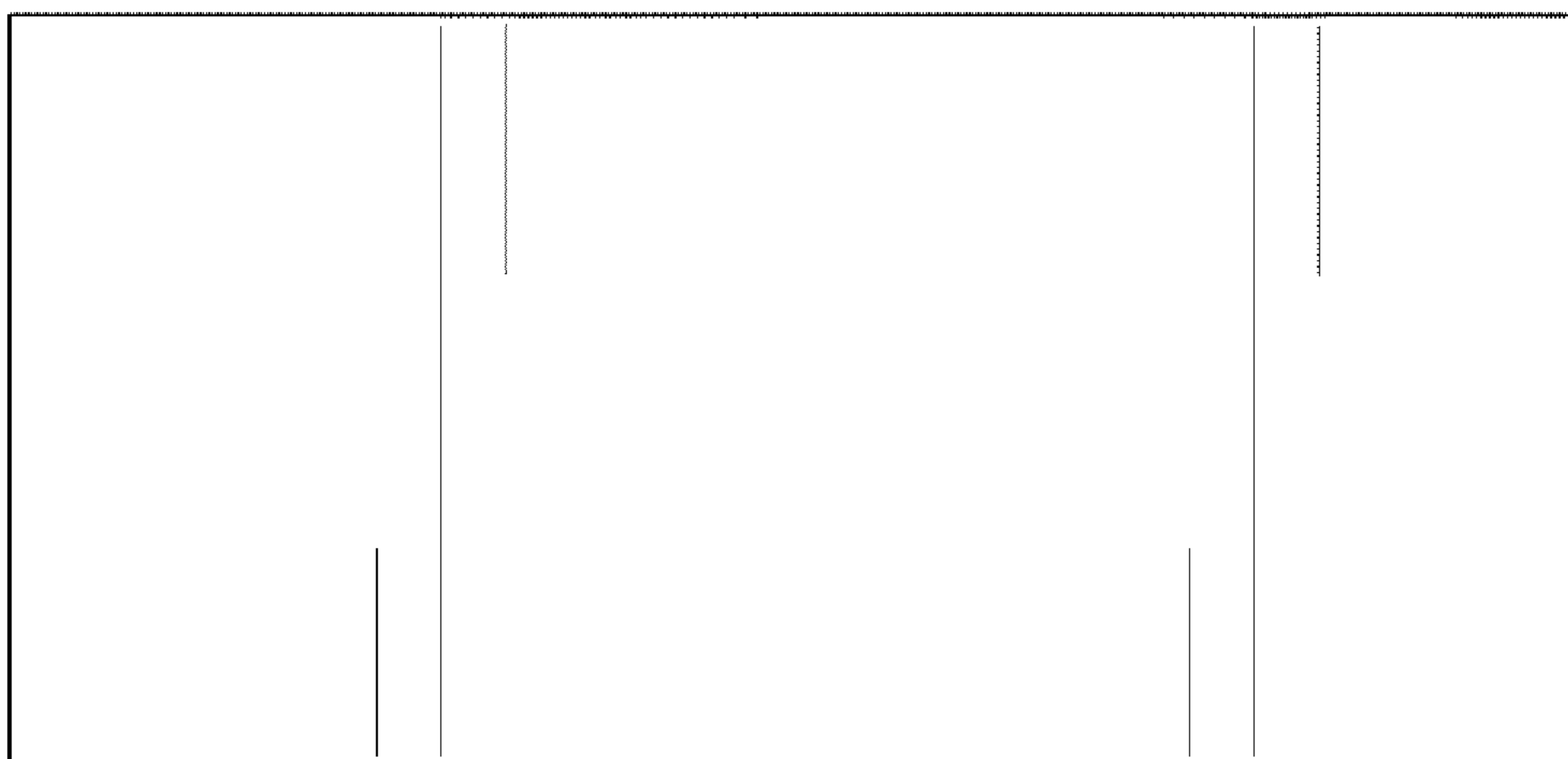


FIG. 17

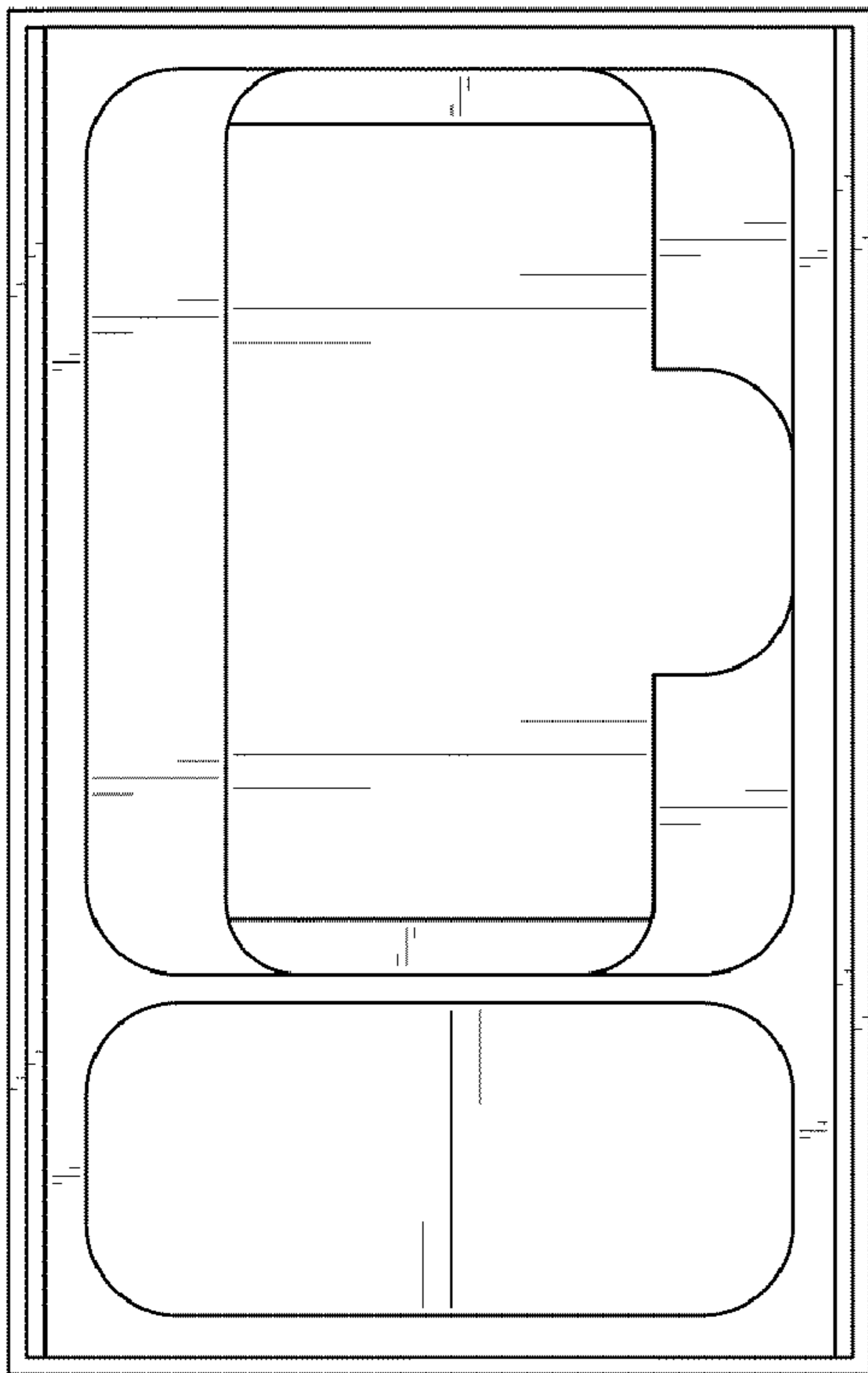


FIG. 18

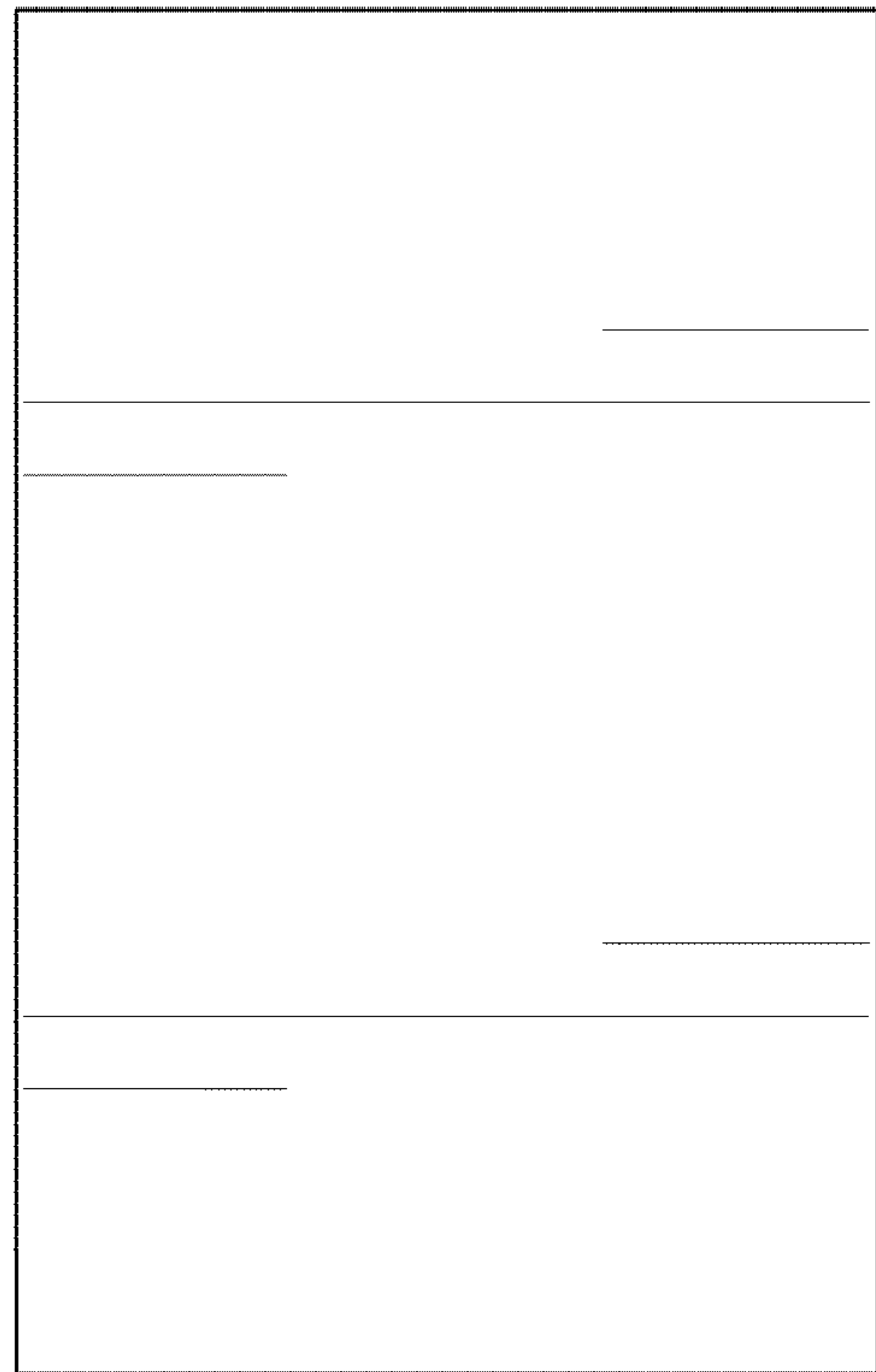


FIG. 19