



US00D620791S

(12) **United States Design Patent**
Grajcar et al.

(10) **Patent No.:** **US D620,791 S**

(45) **Date of Patent:** **** Aug. 3, 2010**

(54) **RE-USABLE PACKAGE FOR LAMPS**

(75) Inventors: **Zdenko Grajcar**, Crystal, MN (US);
Brian A. Babb, Minneapolis, MN (US)

(73) Assignee: **Once Innovations, Inc.**, Plymouth, MN
(US)

(**) Term: **14 Years**

(21) Appl. No.: **29/342,543**

(22) Filed: **Aug. 27, 2009**

(51) **LOC (9) Cl.** **09-03**

(52) **U.S. Cl.** **D9/428; D9/429**

(58) **Field of Classification Search** D9/414-415,
D9/418-419, 423-431, 450, 453, 502-503,
D9/556, 558; D7/391, 509, 523, 531-532,
D7/602, 605, 615, 629, 709; D3/203.4, 272,
D3/273, 276, 294, 302, 312; 220/4.21-4.23,
220/266, 380, 675, 780-781, 792; 206/459.5,
206/407, 508-509, 519, 534; 229/906.1

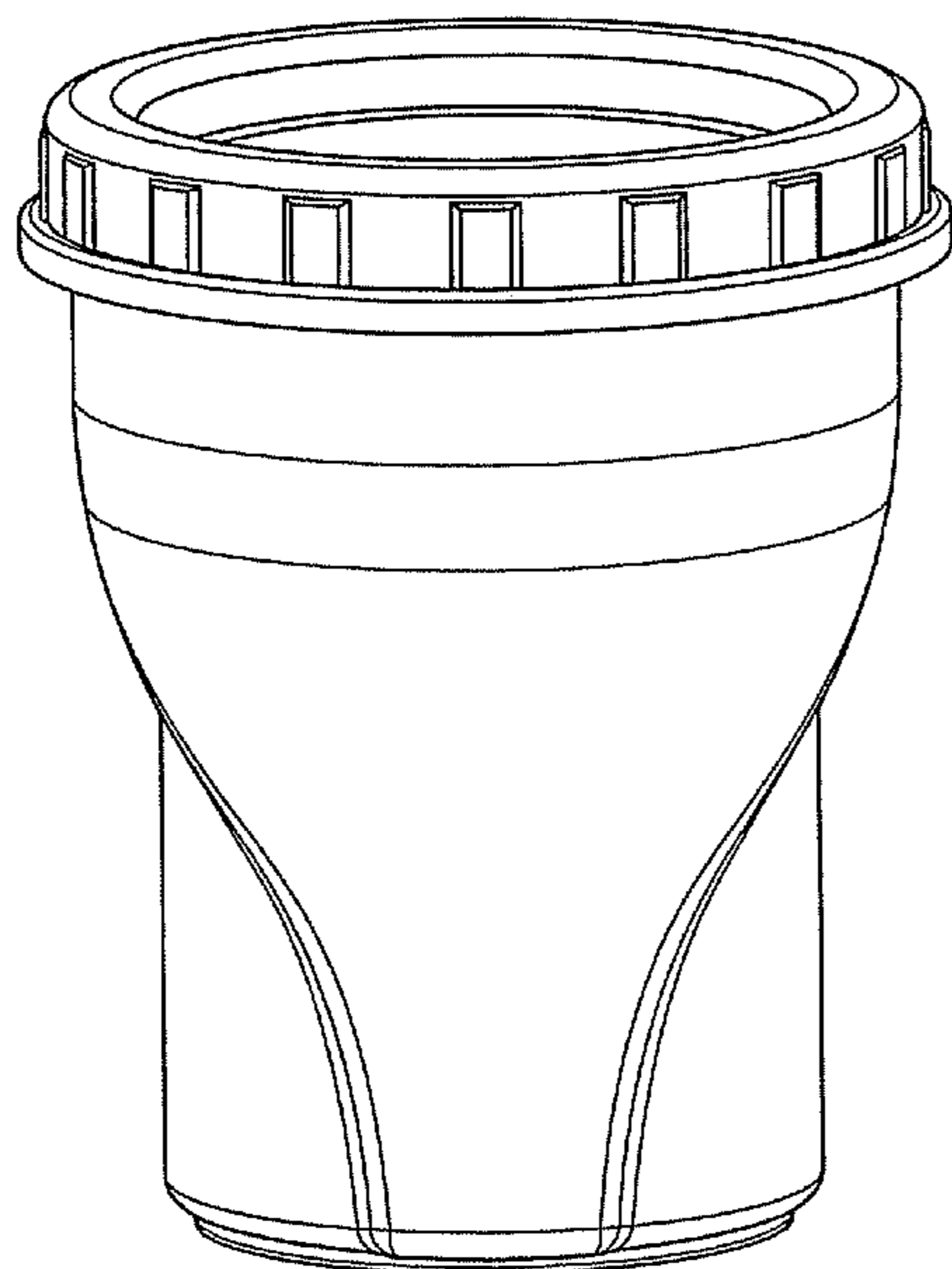
See application file for complete search history.

(56) **References Cited**

U.S. PATENT DOCUMENTS

D223,999	S	*	6/1972	Klose	D9/429
D229,169	S	*	11/1973	Weiss	D9/429
D230,387	S	*	2/1974	Doman et al.	D7/531
D246,227	S	*	11/1977	Douglas	D34/39
D265,628	S	*	8/1982	Redaelli et al.	D9/418
4,421,244	A	*	12/1983	Van Melle	220/781
D273,093	S	*	3/1984	Lunden et al.	D3/203.4
4,964,513	A	*	10/1990	Ingram et al.	206/459.5
D312,400	S	*	11/1990	Schwaikert	D9/424
D313,353	S	*	1/1991	Hart et al.	D9/428
D328,862	S	*	8/1992	Janssen et al.	D9/414

(Continued)



OTHER PUBLICATIONS

“Bulbs.com Product Search—HPARRY0809—p. 1”, [online],
[retrieved Mar. 8, 2010] Retrieved from Bulbs.com website using
Internet <URL: http://www.bulbs.com/results.aspx?affid=7&cm_mmc=yahoo--Brand--bulbs.com--bulbs.com&Ntk=all&Ntt=hparray0809&Ntx=mode+matchallpartial>. 1-3.

(Continued)

Primary Examiner—Rosemary K Tarcza

Assistant Examiner—Susan E Krakower

(74) *Attorney, Agent, or Firm*—Craig O. Thompson;
Thompson Patent Law Offices PC

(57) **CLAIM**

The ornamental design for a re-usable package for lamps, as
shown and described.

DESCRIPTION

FIG. 1 is an elevated front perspective view of a re-usable
package for lamps showing our new design;

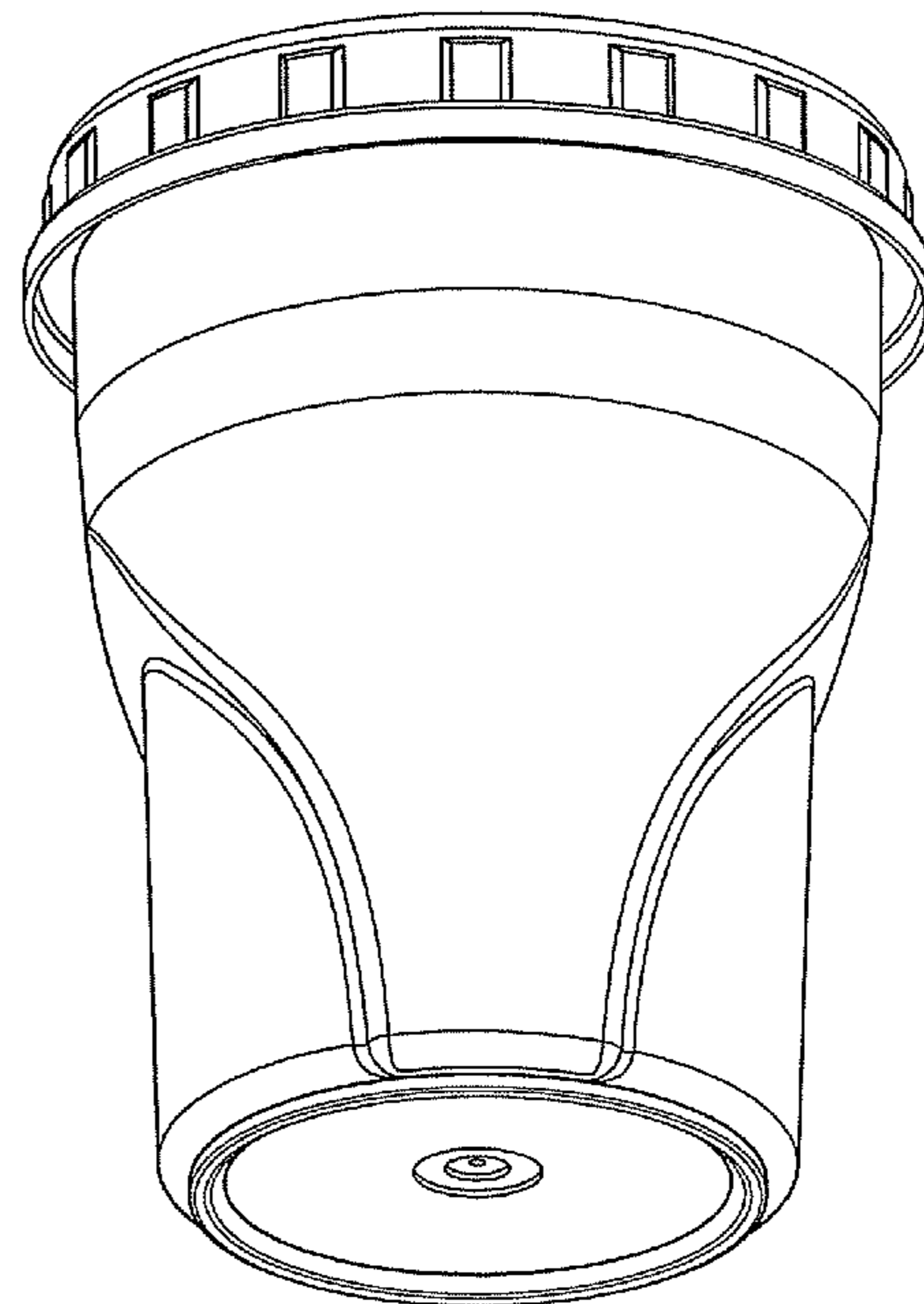
FIG. 2 is a rear lower perspective view of the package of FIG.
1;

FIG. 3 is a side elevation view of the package of FIG. 1, the
opposite side being a mirror image thereof; and,

FIG. 4 is a top plan view of the package of FIG. 1.

The claimed ornamental design is shown embodied on a
package that has a re-closable lid. The package may be used,
for example, to house for display PAR 30 style lamps in a
retail environment. In an illustrative example, the package
may be re-used in an environmentally friendly manner as an
attractive container for a wide variety of items.

1 Claim, 2 Drawing Sheets



U.S. PATENT DOCUMENTS

6,478,450	B1	11/2002	Grajcar	
D506,359	S *	6/2005	Zettle et al.	D7/629
D528,863	S *	9/2006	Hayes et al.	D7/523
D545,456	S	6/2007	Foo	
D545,618	S *	7/2007	Zettle et al.	D7/391
D561,917	S	2/2008	Tsao	
D568,498	S	5/2008	Degenhard	
D581,555	S	11/2008	To et al.	
D584,569	S *	1/2009	Buchman et al.	D7/602
D590,075	S	4/2009	Grajcar	
D590,076	S	4/2009	Grajcar	
D590,077	S	4/2009	Grajcar	
D593,222	S	5/2009	To et al.	
D600,837	S	9/2009	Grajcar	
D601,276	S	9/2009	Grajcar	
D601,277	S	9/2009	Grajcar	
D601,279	S	9/2009	Ou et al.	
7,598,682	B2	10/2009	Grajcar	
D604,434	S	11/2009	Wada et al.	
D608,591	S *	1/2010	Hillebrenner et al.	D7/531
D610,723	S	2/2010	Grajcar	

OTHER PUBLICATIONS

“Bulbs.com Product Search—HPARRY0809—p. 2”, [online], [retrieved Mar. 8, 2010] Retrieved from Bulbs.com website using Internet <URL: http://www.bulbs.com/results.aspx?affid=7&cm_mmc=yahoo--Brand--bulbs.com--bulbs.com&Ntk=all&Ntt=hparray0809&Ntx=mode+matchallpartial>. 1-3.

“Grainger Troffer Lighting Fixtures”, [online], [retrieved on Mar. 13, 2010] Retrieved from Grainger.com using Internet <URL:<http://www.grainger.com/Grainger/wwg/search.shtml?searchQuery=troffer+lighting+fixtures&op=search&Ntt=troffer+lighting+fixtures&N=0&sst=subset>>. 1-3.

“Philips LED PAR30 Long Neck”, [online], [retrieved on Mar. 11, 2010] Retrieved from LightingSupply.com using Internet <URL:https://www.lightingsupply.com/products/category_products.aspx?category=ec7dca17eec14750bfa8e9e301720fca>. 1.

“LED PAR30 Bulbs”, [online], [retrieved on Mar. 8, 2010] Retrieved from Polar-Ray.com using Internet <URL:http://www.polar-ray.com/PAR30_c_76.html>. 1-2.

“PAR30 LED Light Bulbs”, [online], [retrieved Mar. 13, 2010] Retrieved from PanopticsLighting.com using Internet <URL:<http://shop.panopticslighting.com/par30-led-light-bulbs.aspx>>. 1-2.

“Philips 11PAR30L/END/F25/27K/120”, [online], [retrieved on Mar. 8, 2010] Retrieved from LightingSupply.com using Internet <URL:<https://www.lightingsupply.com/11PAR30L-END-F25-27K-120.aspx>>. 1.

“Pure Light LED bulbs”, [online], [retrieved on Mar. 8, 2010] Retrieved from LumiaBulbs.com using Internet <URL:<http://www.lumiabulbs.com/catalog/item/7179781/7361416.html>>. 1-2.

“2009 Store hours & contact information”, [online], [retrieved on Mar. 8, 2010] Retrieved from LumiaBulbs.com using Internet <URL:<http://www.lumiabulbs.com/contactinfo.html>>. 1-2.

“LED Screw Base Bulbs—PAR30, PAR20, PAR38, PAR16”, [online], [retrieved Mar. 8, 2010] Retrieved from EverBrightLights.com using Internet <URL:<http://www.everbrightlights.com/screw.html>>. 1-3.

“Huanqiu Led Lighting Co., Ltd.”, [online], [retrieved Mar. 13, 2010] Retrieved from HQLed.com using Internet <URL:http://www.hqled.com/LED_Spotlight/HQ-PAR30-7001A.html>. 1-2.

“Single Color LED PAR Lamp”, [online], [retrieved Mar. 8, 2010] Retrieved from China-LED-Manufacturer.com using Internet <URL:<http://www.china-led-manufacturer.com/china/led-lamps-single-color-led-par-lamp.htm>>. 1-2.

“LED Bulbs, Warm White, Tru White, PAR30”, [online], [retrieved Mar. 8, 2010] Retrieved from Ledtronics.com using Internet <URL:<http://www.ledtronics.com/media/PressReleases.aspx?pressID=1>>. 1.

“Lighting Science SoL LED Lamps: R20/R30/R38”, [online], [retrieved Mar. 11, 2010] Retrieved from Mouser.com using Internet <URL:<http://www.mouser.com/lightingsciencesolledlamps/>>. 1.

“High Power LED PAR30 Spotlight Bulb with Long Lifespan”, [online], [retrieved Mar. 13, 2010] Retrieved from GlobalMarket.com using Internet <URL: http://www.globalmarket.com/product/High-Power--LED---PAR30--SpotlightBulb-with-Long-Lifespan_12739597.html>. 1.

“China LED Lamp, Shenzhen Manufacturer”, [online], [retrieved Mar. 13, 2010] Retrieved from Illusion.Manufacturer.GlobalSources.com using Internet <URL: <http://illusion.manufacturer.globalsources.com/si/6008825673216/pdtl/LED-bulb/1008760639/LED-Lamp.htm>>. 1-2.

“LED PAR30 Light 7*1—China par30, 7*1”, [online], [retrieved Mar. 13, 2010] Retrieved from BernalLED.en.Made-In-China.com using Internet <URL: <http://bernaled.en.made-in-china.com/product/QbsmohDKXIWU/China-LED-PAR30-Light-7-1w.html>>. 1-2.

“PAR30 high power LED spotlamp”, [online], [retrieved Mar. 8, 2010] Retrieved from www.DIYTrade.com using Internet <URL: http://www.diytrade.com/china/4/products/5102507/PAR30_LED_bulb.html>. 1-3.

“PAR30 LED Lamp—Detailed info for PAR30 LED Lamp”, [online], [retrieved Mar. 13, 2010] Retrieved from HonestLighting.en.Alibaba.com using Internet <URL: http://honestlighting.en.alibaba.com/product/272812942-209423033/PAR30_LED_lamp.html>. 1-3.

“GU20 LED Lamp—Detailed info for GU10 LED Lamp”, [online], [retrieved Mar. 13, 2010] Retrieved from HonestLighting.en.Alibaba.com using Internet <URL: http://honestlighting.en.alibaba.com/product/259657006-209423033/GU10_LED_Lamp.html>. 1-3.

“enLux Lighting—R30F Floodlight”, [online], [retrieved Mar. 13, 2010] Retrieved from EnluxLED.com using Internet <URL: http://www.enluxled.com/r30f_floodlight>. 1-2.

“Eco-Story-Par-30 LED Lightbulbs”, [online], [retrieved Mar. 8, 2010] Retrieved from FoodServiceWarehouse.com using Internet <URL: <http://www.foodservicewarehouse.com/eco-story/par-30/p345404.aspx>>. 1-2.

“Dimmable LED Light Bulb—PAR30/65-75 Watt Compatible”, [online], [retrieved Mar. 13, 2010] Retrieved from EarthTechProducts.com using Internet <URL: <http://www.earthtechproducts.com/dimmable-led-light-bulb-par30.html>>. 1-2.

“PAR 30 LED Bulb Flood Light Replacement”, [online], [retrieved Mar. 8, 2010] Retrieved from LC-LED.com using Internet <URL: <http://www.lc-led.com/View/itemNumber/358>>. 1.

“LED Light Bulbs, E27 Screw base”, [online], [retrieved Mar. 8, 2010] Retrieved from TheLEDLight.com using Internet <URL: <http://www.theledlight.com/EO-PAR30L.html>>. 1-3.

* cited by examiner

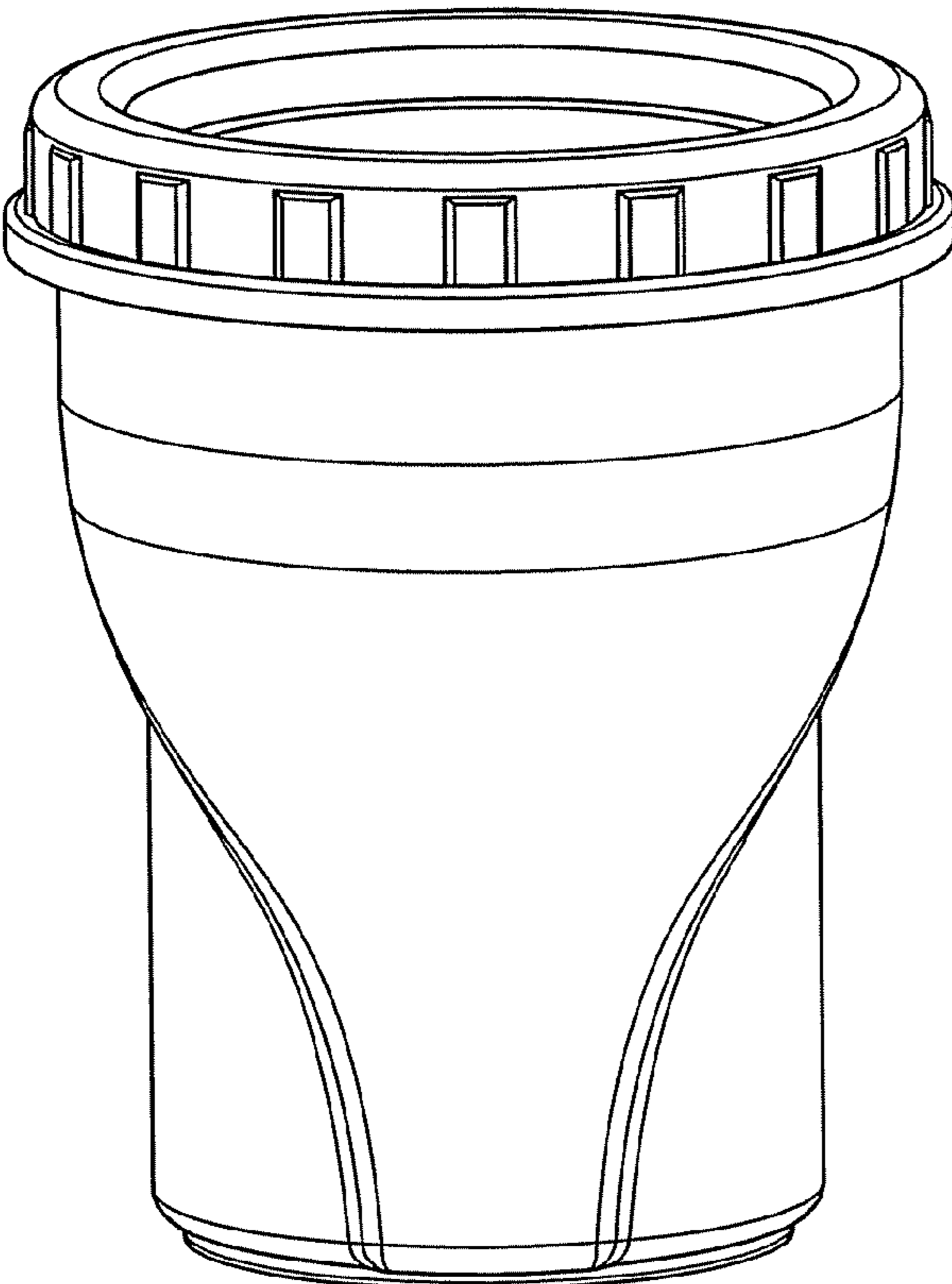


FIG. 1

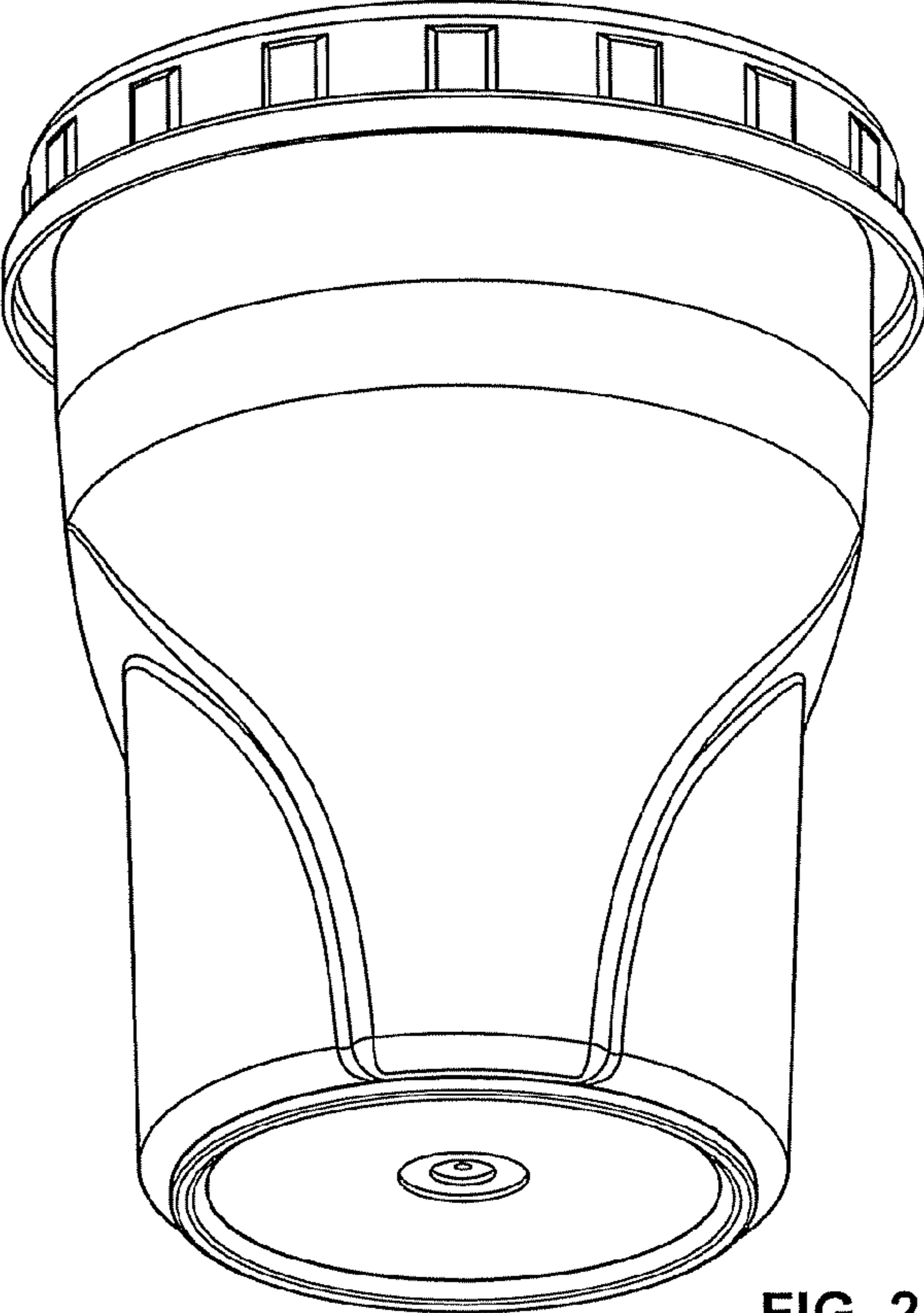


FIG. 2

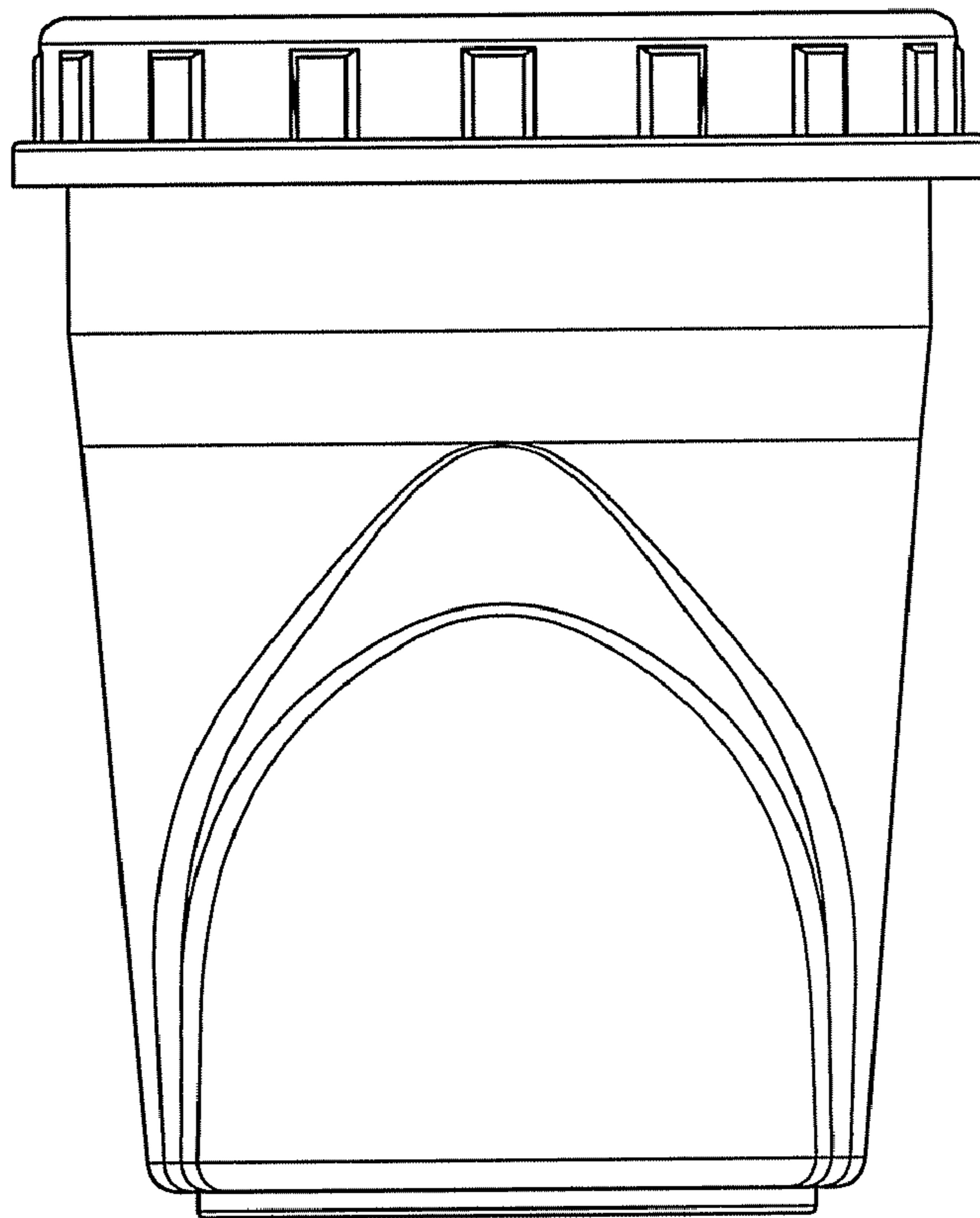


FIG. 3

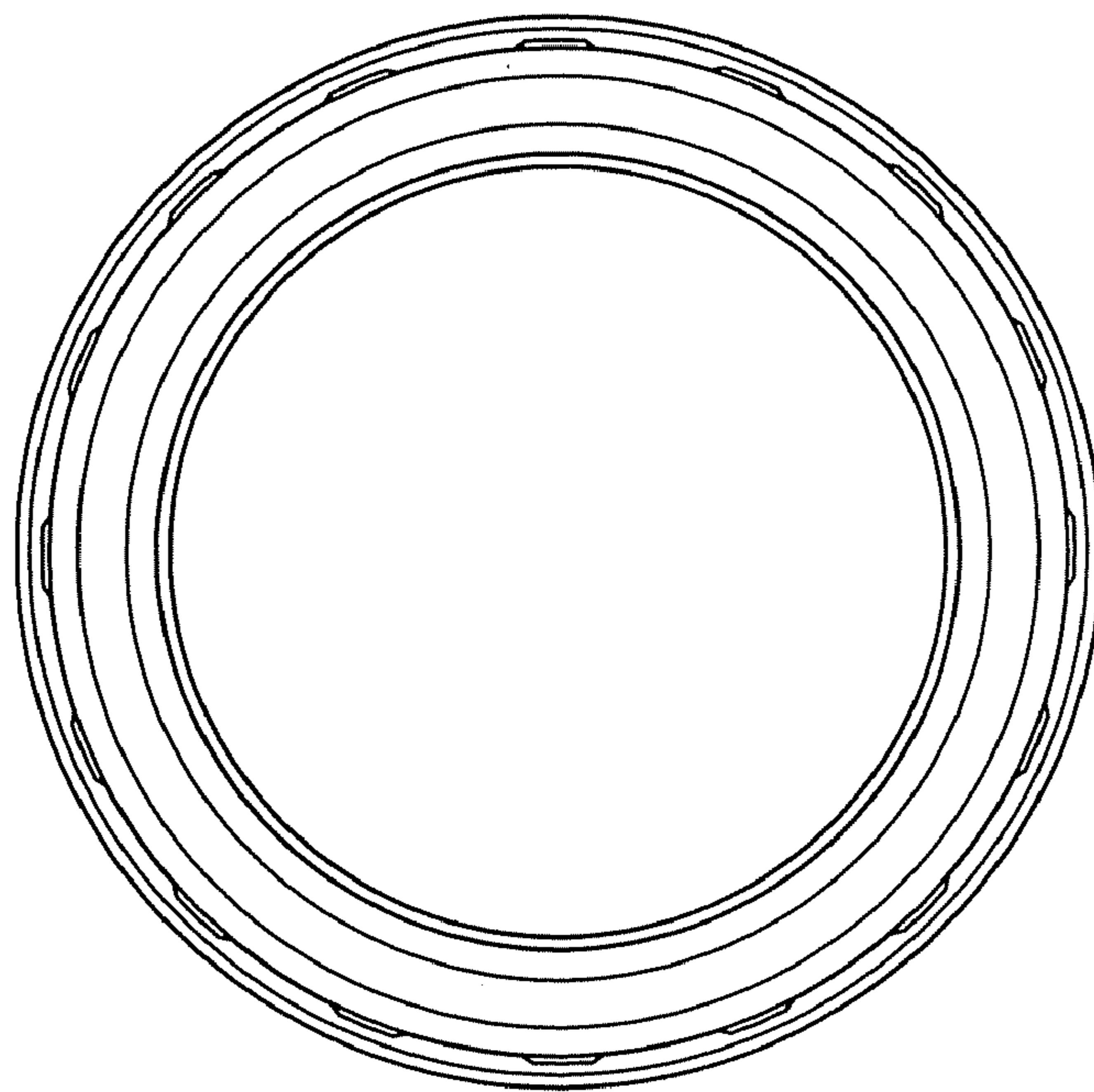


FIG. 4