



US00D620790S

(12) **United States Design Patent**
Lovett

(10) **Patent No.:** **US D620,790 S**

(45) **Date of Patent:** **** Aug. 3, 2010**

(54) **FOOD CONTAINER**

(75) Inventor: **James Kyle Lovett**, Roswell, GA (US)

(73) Assignee: **Solo Cup Operating Corporation**, Lake Forest, IL (US)

(**) Term: **14 Years**

(21) Appl. No.: **29/350,812**

(22) Filed: **Nov. 24, 2009**

(51) **LOC (9) Cl.** **09-03**

(52) **U.S. Cl.** **D9/425**

(58) **Field of Classification Search** D9/423-426,
D9/428-431; D7/540, 543, 545, 549, 553.1,
D7/553.7, 554.1, 555, 570; 220/4.22, 4.23,
220/266, 526, 574; 426/112, 115, 124, 126,
426/394; 206/216, 469

See application file for complete search history.

(56) **References Cited**

U.S. PATENT DOCUMENTS

- D204,962 S * 5/1966 Kossnar D9/429
- D373,931 S 9/1996 Whitehead
- D375,259 S 11/1996 Whitehead
- D378,180 S * 2/1997 Hayes et al. D7/554.1
- D385,185 S * 10/1997 Rench et al. D9/430
- D395,599 S * 6/1998 Wyslowsky D9/425
- 5,762,231 A * 6/1998 Rider et al. 220/526
- D398,847 S * 9/1998 Wyslowsky et al. D9/425
- D398,848 S * 9/1998 Wyslowsky et al. D9/425
- 5,979,687 A * 11/1999 Hayes et al. 220/4.23

- 5,984,130 A * 11/1999 Hayes et al. 220/574
- D427,525 S * 7/2000 Hayes et al. D9/431
- D427,902 S * 7/2000 Hayes et al. D9/425
- 6,572,909 B1 6/2003 Bagwell et al.
- D489,254 S 5/2004 Kocis et al.
- D536,992 S 2/2007 Garg et al.
- D541,589 S * 5/2007 Littlejohn et al. D7/549
- D551,508 S * 9/2007 Friedland et al. D7/545
- D552,487 S 10/2007 Chou
- D571,655 S 6/2008 Lovett
- D577,995 S 10/2008 Lovett
- D578,877 S 10/2008 Lovett

* cited by examiner

Primary Examiner—Philip S Hyder
Assistant Examiner—Susan E Krakower

(57) **CLAIM**

The ornamental design for a food container, as shown and described.

DESCRIPTION

FIG. 1 is a perspective view of a food container showing my new design;

FIG. 2 is a partially opened perspective view thereof;

FIG. 3 is a top view thereof, in a closed condition;

FIG. 4 is a bottom view thereof;

FIG. 5 is a front view thereof;

FIG. 6 is a rear view thereof; and,

FIG. 7 is left side view a thereof.

1 Claim, 3 Drawing Sheets

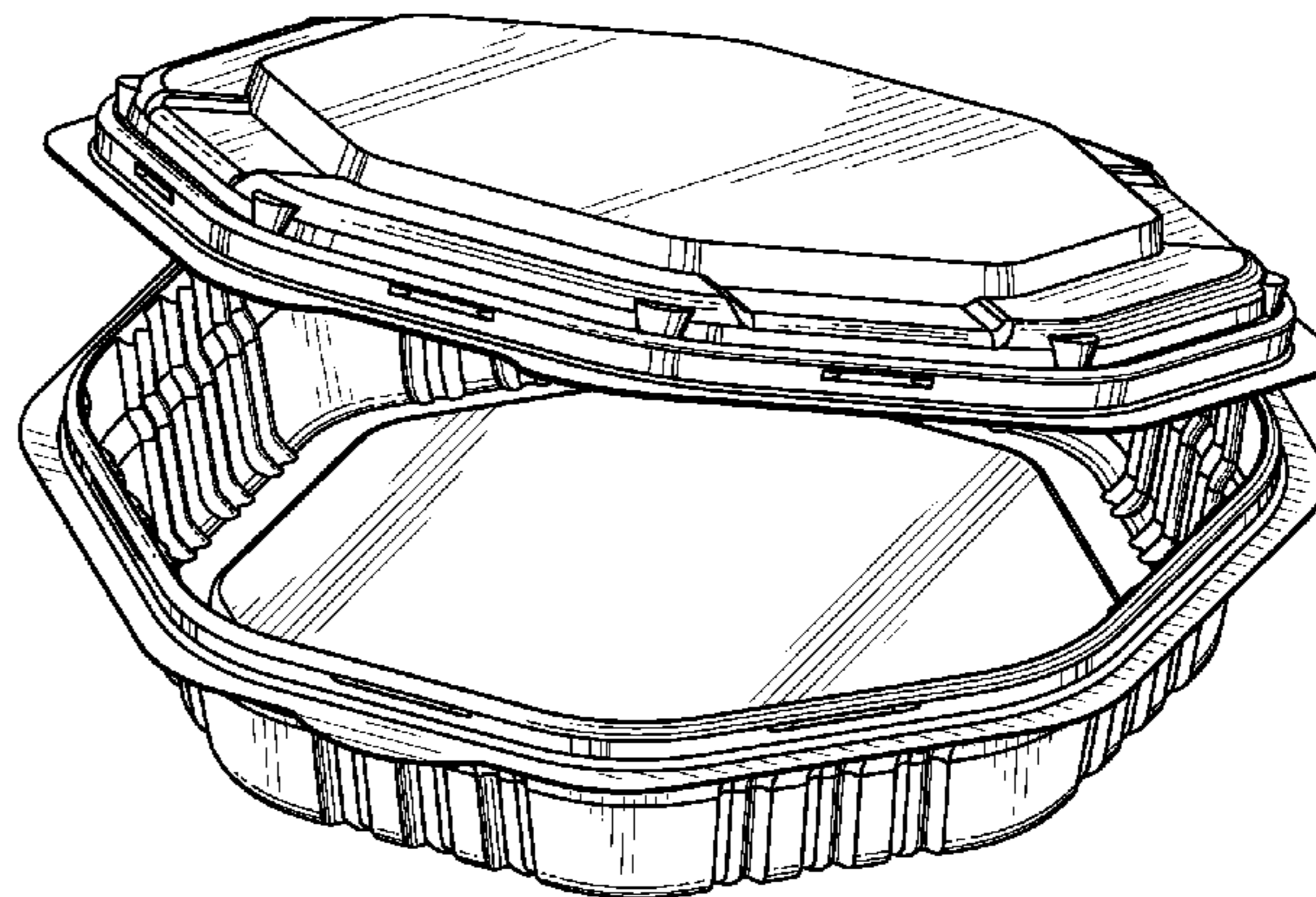
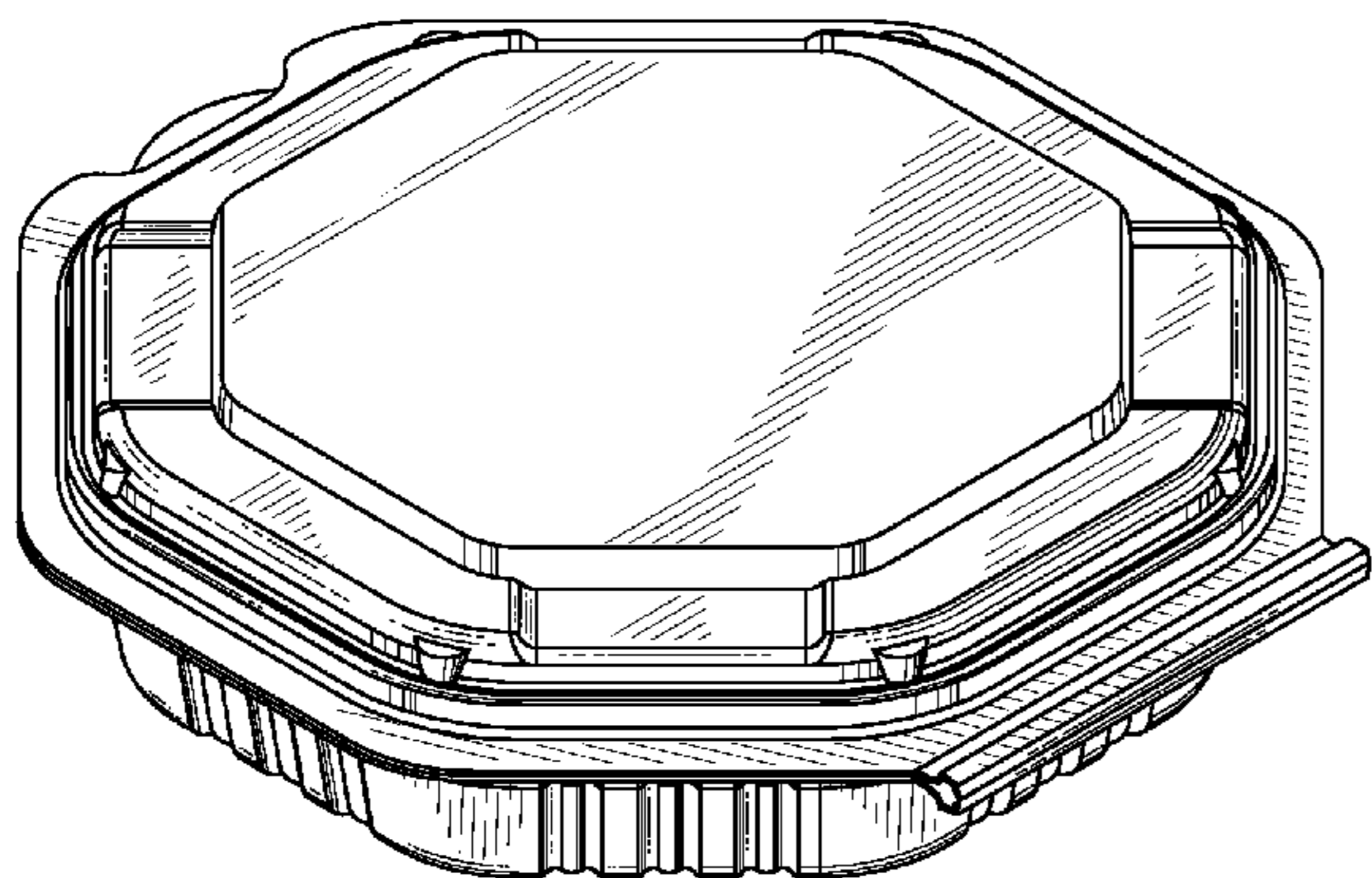


Fig. 1

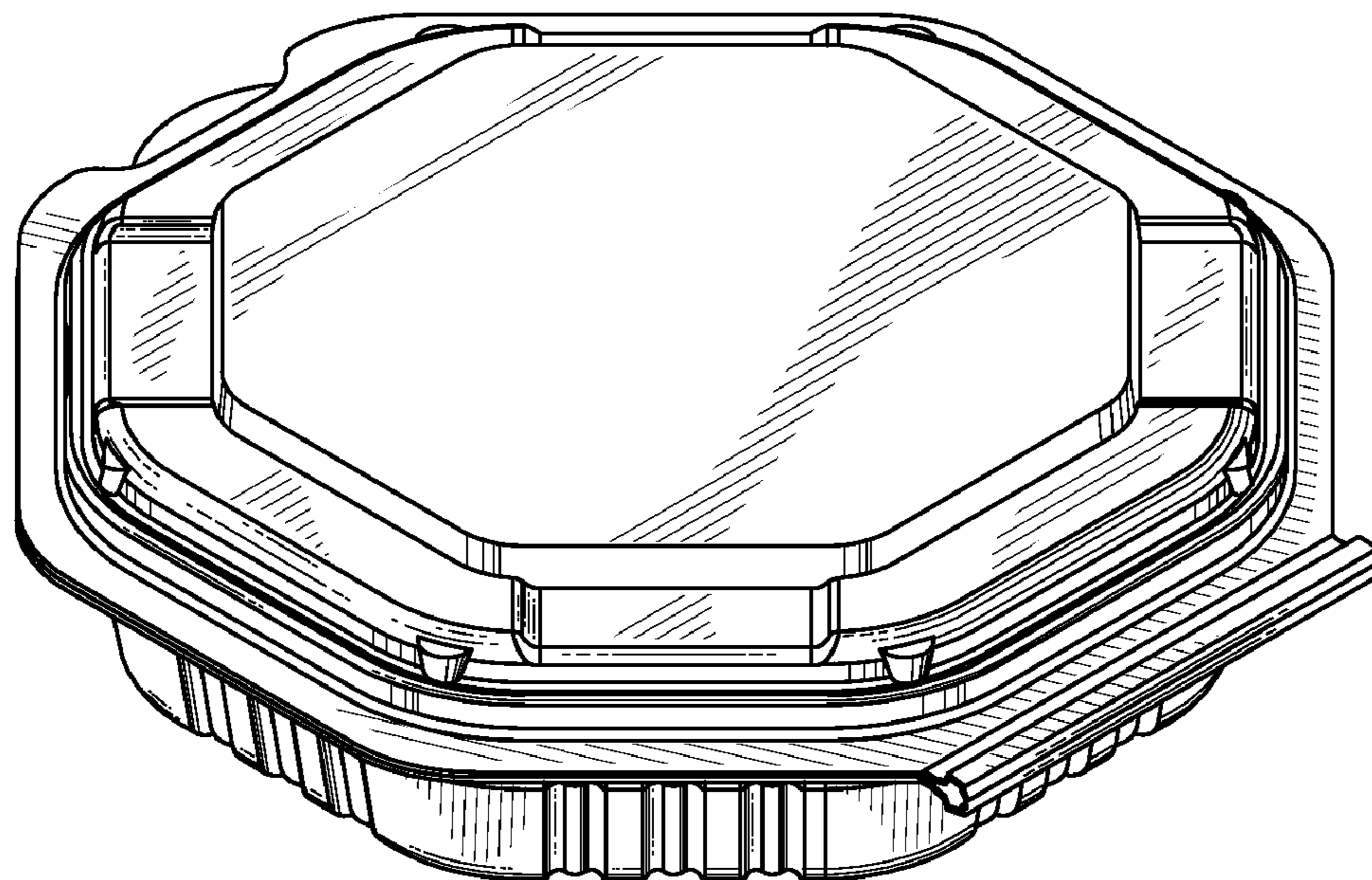


Fig. 2

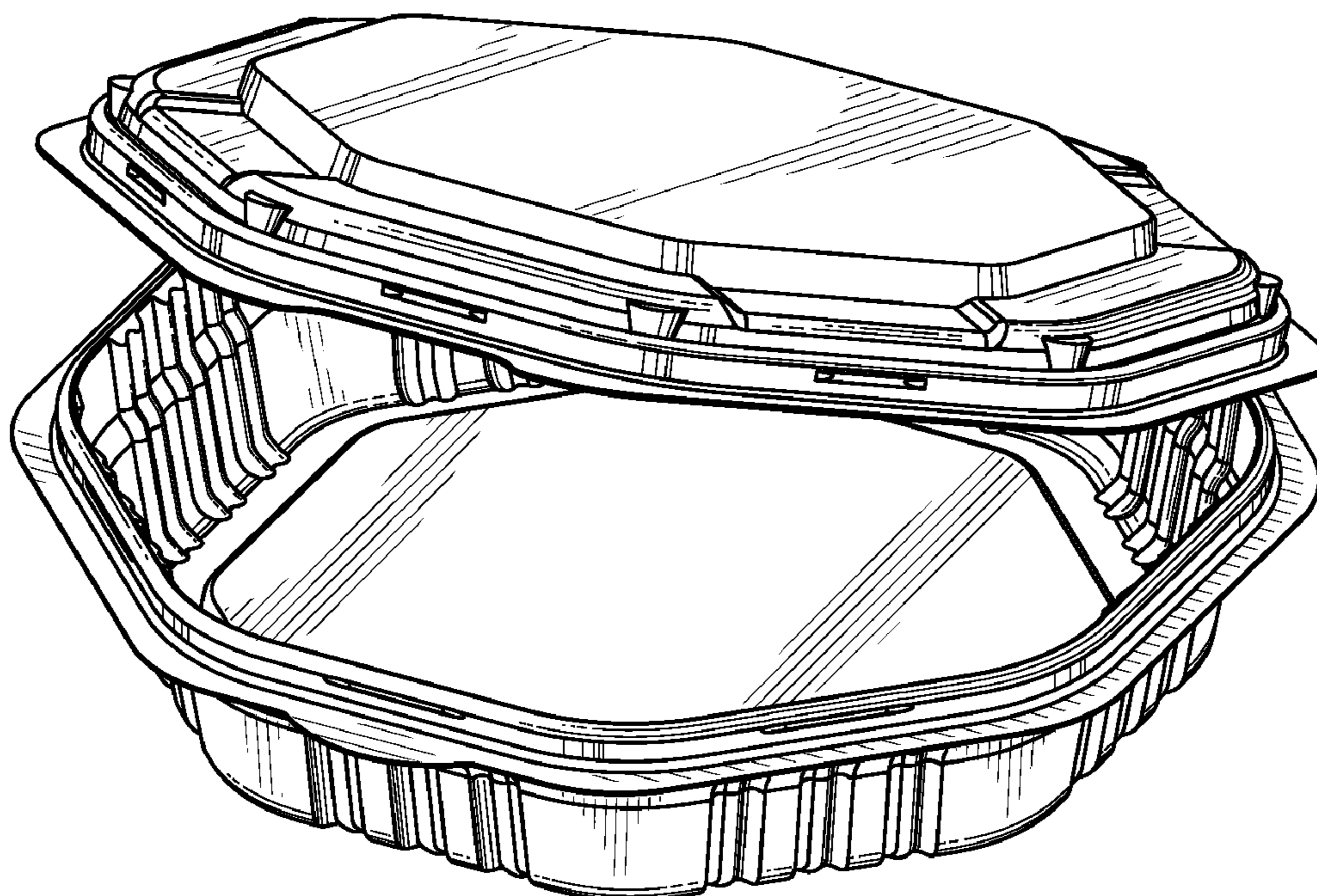


Fig. 4

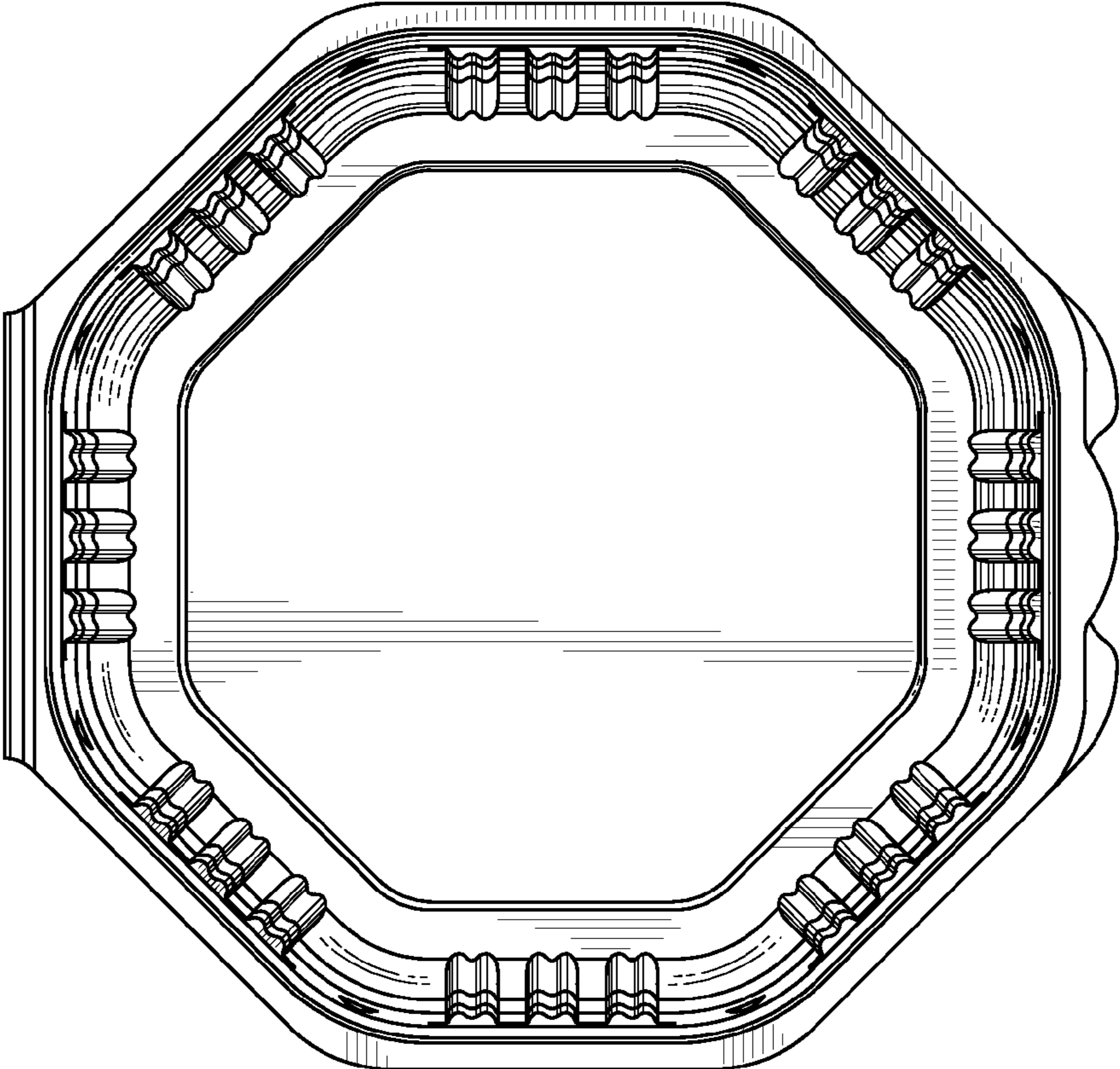


Fig. 3

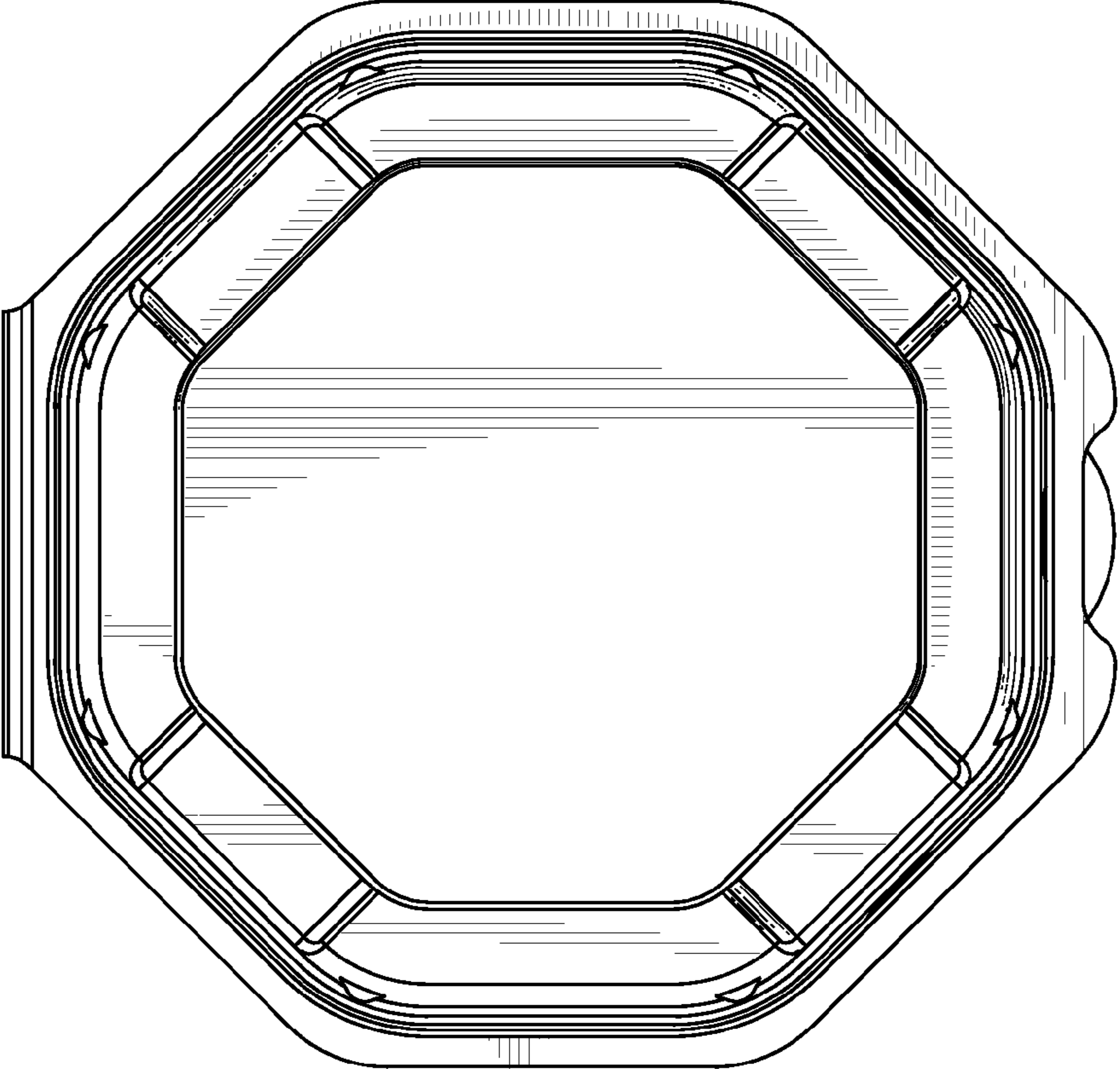


Fig. 5



Fig. 6

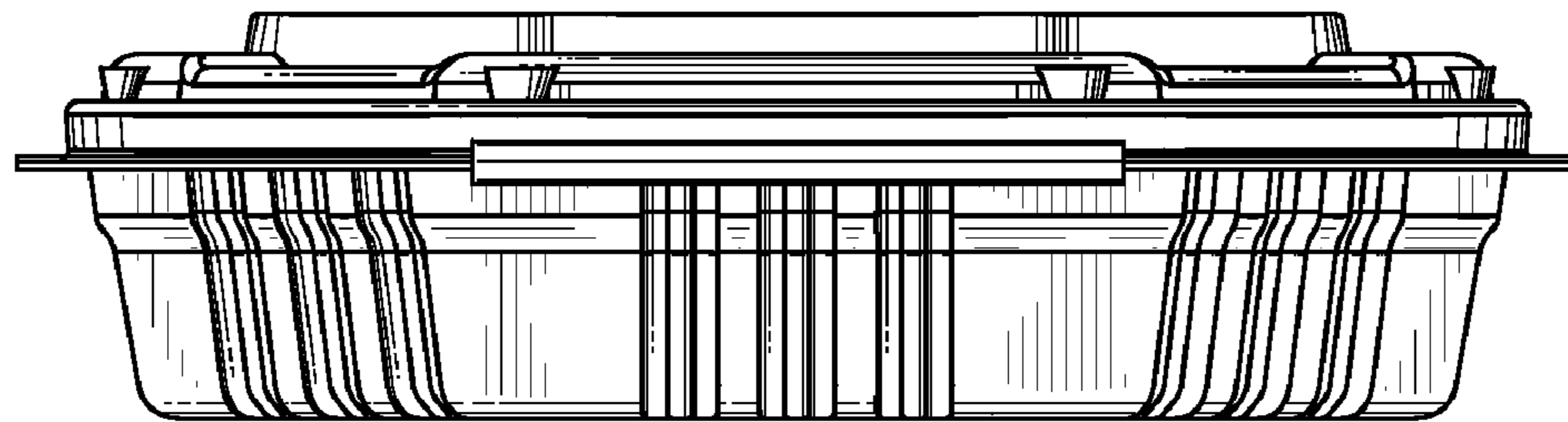


Fig. 7

