



US00D620789S

(12) **United States Design Patent**
Dickinson

(10) **Patent No.:** **US D620,789 S**

(45) **Date of Patent:** **** Aug. 3, 2010**

(54) **PACKAGING FOR A HEART RATE WATCH**

(75) Inventor: **Elisabeth Dickinson**, Vancouver (CA)

(73) Assignee: **Physi-Cal Enterprises, Ltd.**, Vancouver, BC (CA)

(**) Term: **14 Years**

(21) Appl. No.: **29/284,110**

(22) Filed: **Aug. 30, 2007**

(51) **LOC (9) Cl.** **09-03**

(52) **U.S. Cl.** **D9/424**

(58) **Field of Classification Search** D9/424,
D9/414, 415, 418, 426, 430, 431, 721, 904;
206/6.1, 320, 461-471, 769, 775-782, 822;
229/115, 406, 407

See application file for complete search history.

(56) **References Cited**

U.S. PATENT DOCUMENTS

D151,679	S	*	11/1948	Braun et al.	D9/423
2,727,620	A	*	12/1955	Buttery et al.	206/779
D294,008	S		2/1988	Skolnik		
4,830,181	A		5/1989	Hartman		
D305,408	S		1/1990	LaJoie		
D306,561	S	*	3/1990	Lee	D9/415
D308,338	S	*	6/1990	Yeh	D9/415
5,083,700	A	*	1/1992	Mello et al.	229/115
D327,844	S		7/1992	Wimbish et al.		
5,129,516	A	*	7/1992	Theros	206/463
D329,600	S		9/1992	LaJoie		
D338,619	S		8/1993	Mylander et al.		

D343,790	S	*	2/1994	Mermelstein	D9/430
5,325,960	A		7/1994	Sims		
D359,447	S		6/1995	Mylander et al.		
D388,324	S	*	12/1997	Bonnard	D9/424
D389,402	S	*	1/1998	Lee	D9/415
D399,737	S		10/1998	Zuhlke, Jr. et al.		
D411,102	S	*	6/1999	Planchard	D9/415
D429,639	S	*	8/2000	Dikowitz	D9/422

* cited by examiner

Primary Examiner—Prabhakar Deshmukh

Assistant Examiner—Derrick Holland

(74) *Attorney, Agent, or Firm*—Claus Eight IPS; Michael Catania; Elaine H. Lo

(57) **CLAIM**

The ornamental design for a packaging for a heart rate watch, as shown and described.

DESCRIPTION

FIG. 1 is a bottom perspective view of a packaging for a heart rate watch showing my new design;

FIG. 2 is a top perspective view thereof;

FIG. 3 is a rear view thereof;

FIG. 4 is a front view thereof;

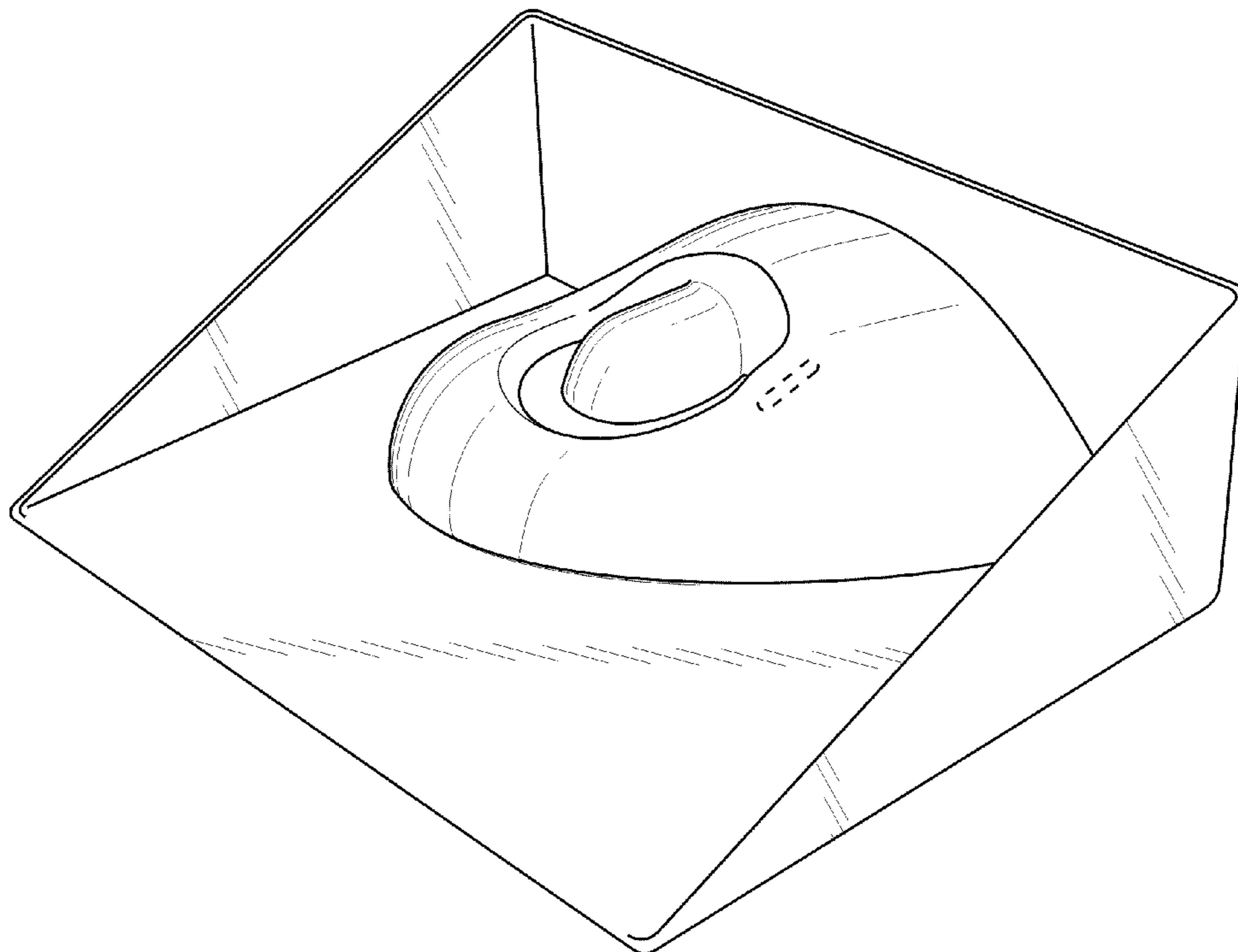
FIG. 5 is a left side view thereof;

FIG. 6 is a right side view thereof; and,

FIG. 7 is a right side and front perspective view thereof.

The broken lines shown are for illustrative purposes only and form no part of the claimed design.

1 Claim, 6 Drawing Sheets



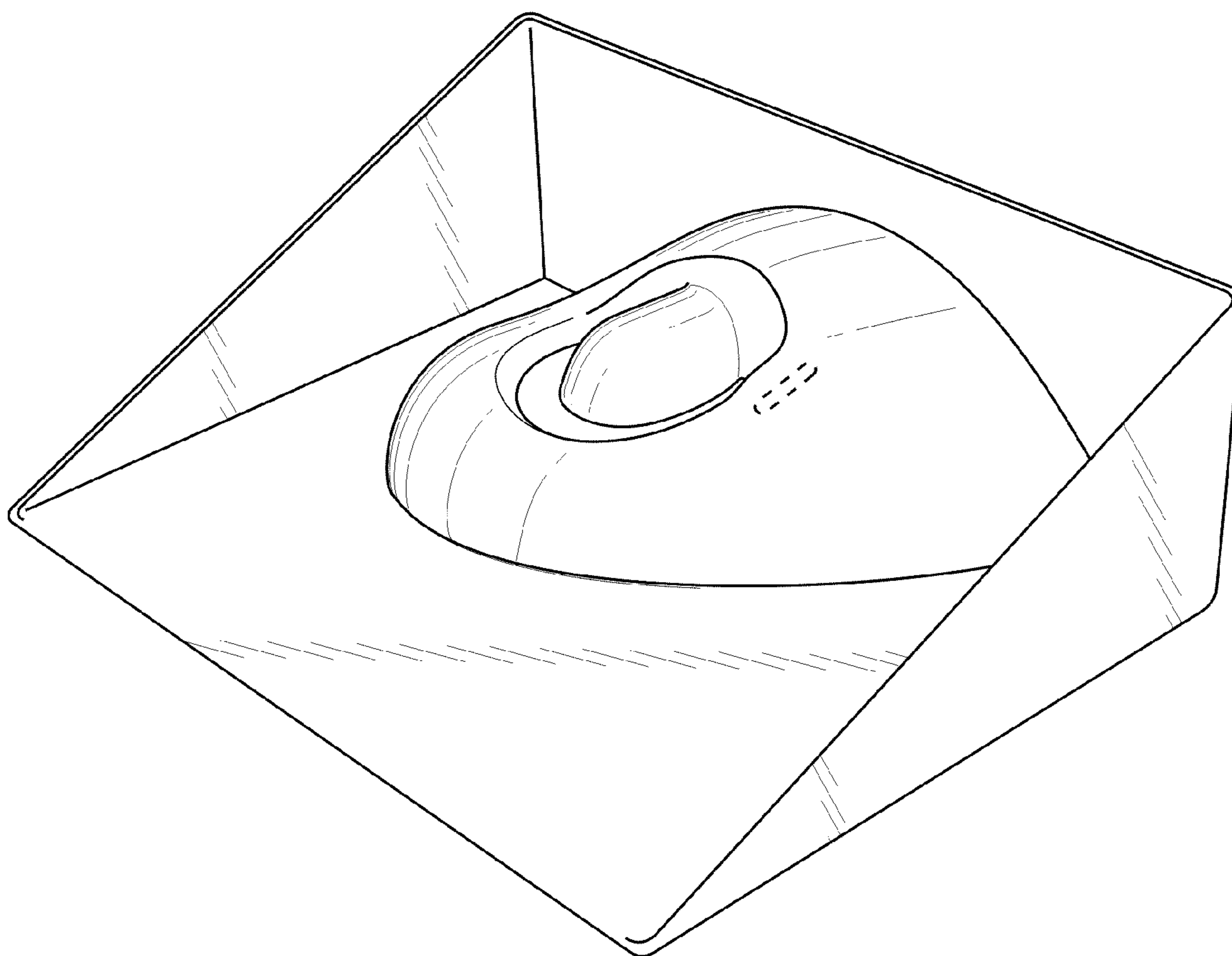


Fig. 1

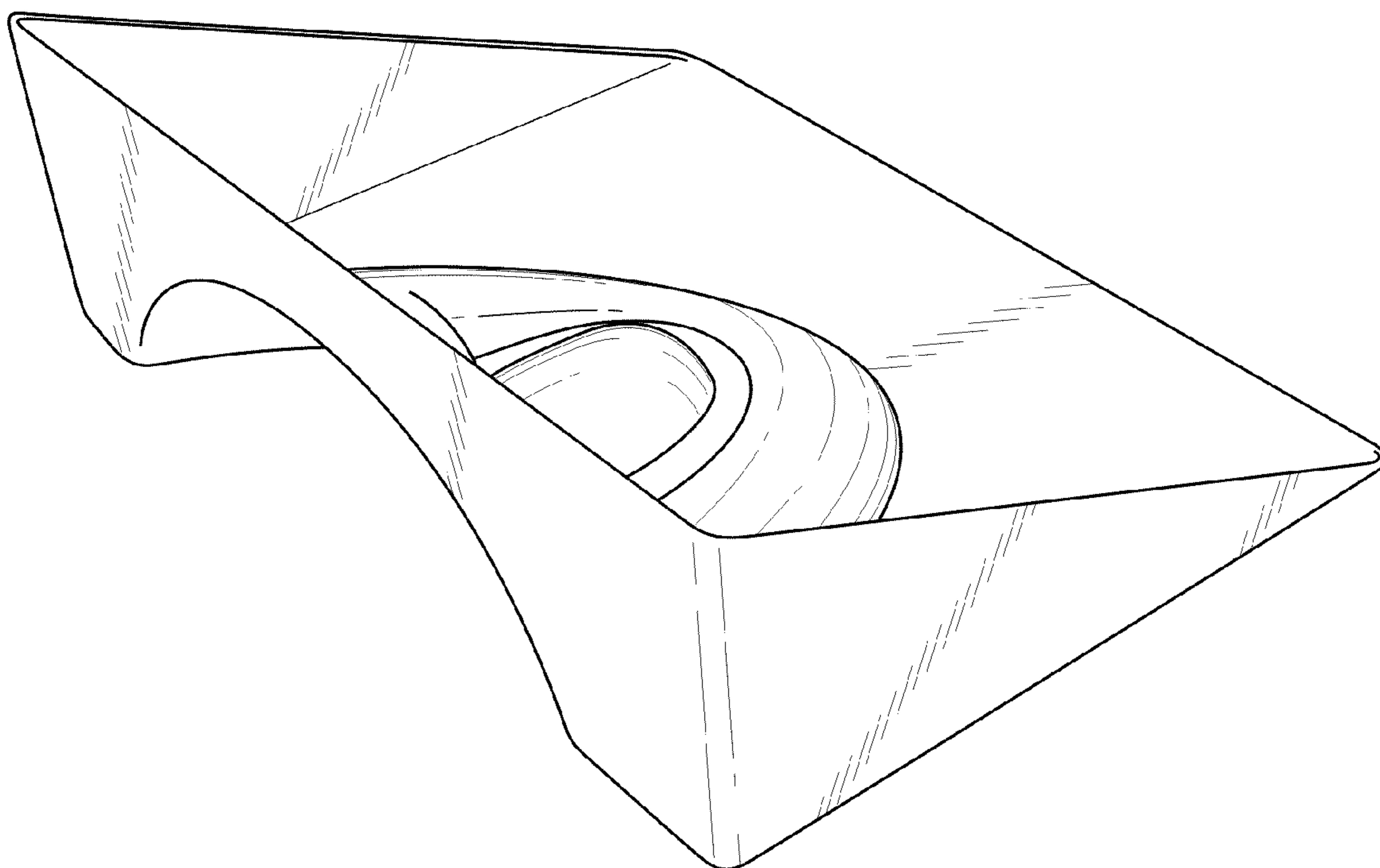


Fig. 2

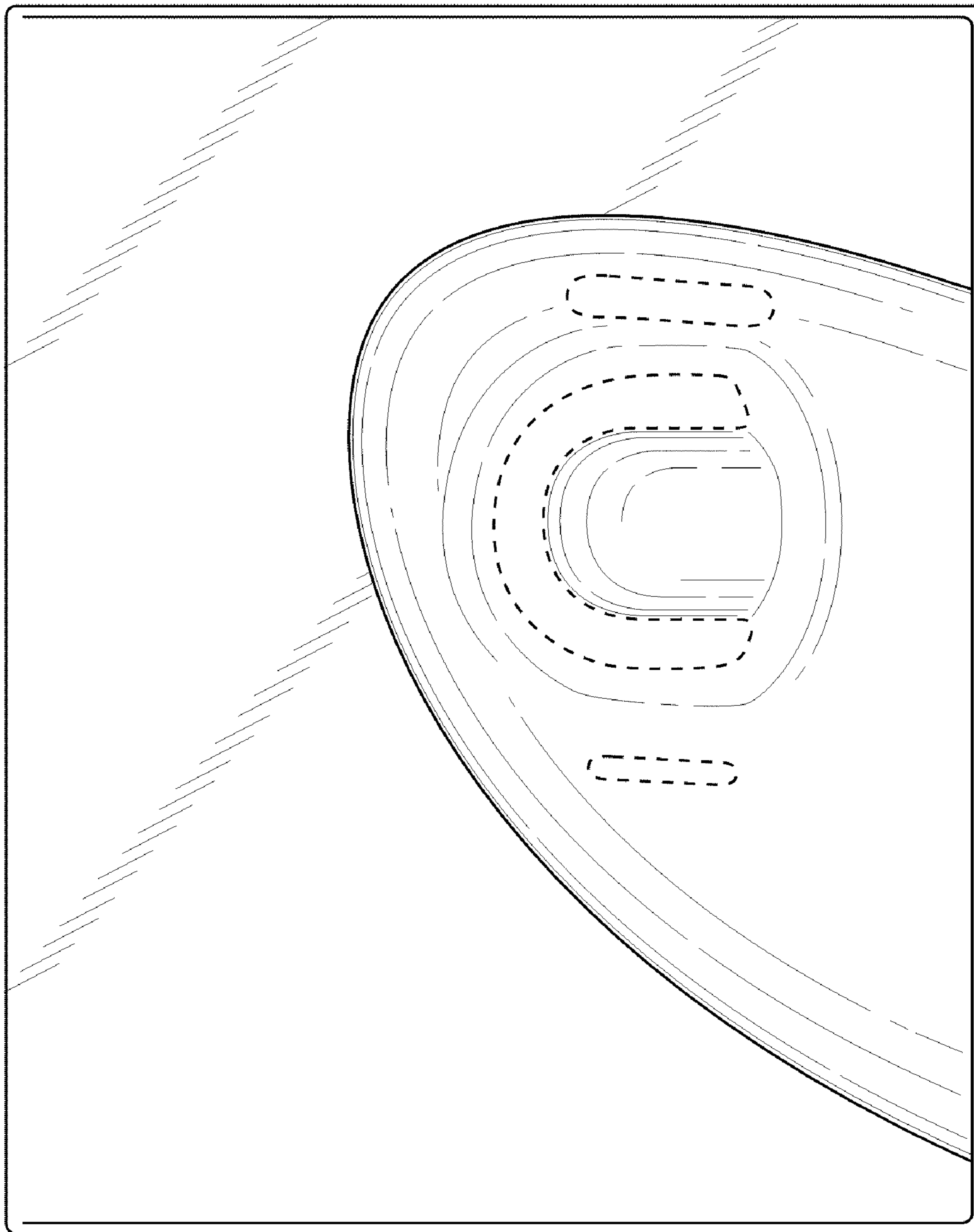


Fig. 3

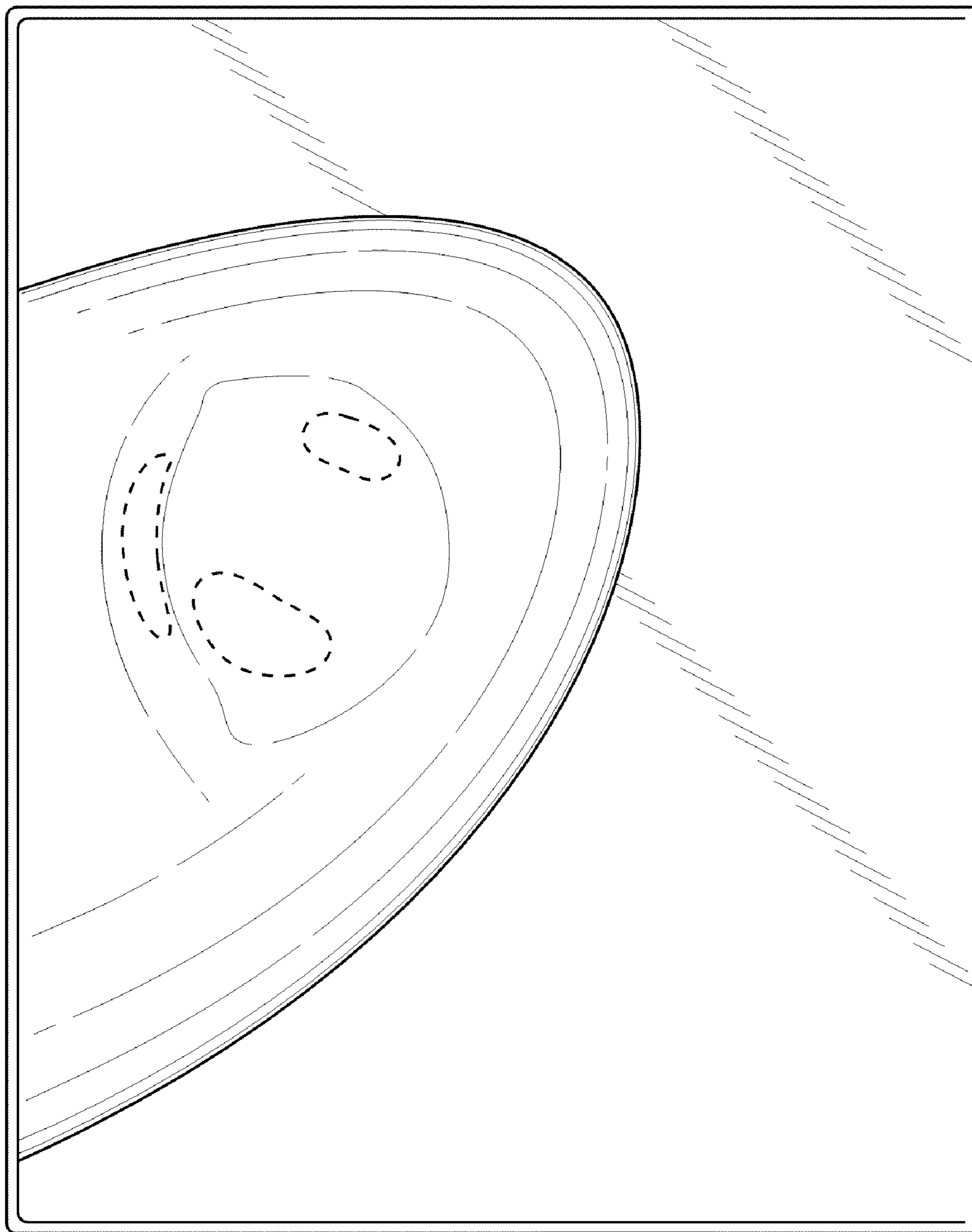


Fig. 4

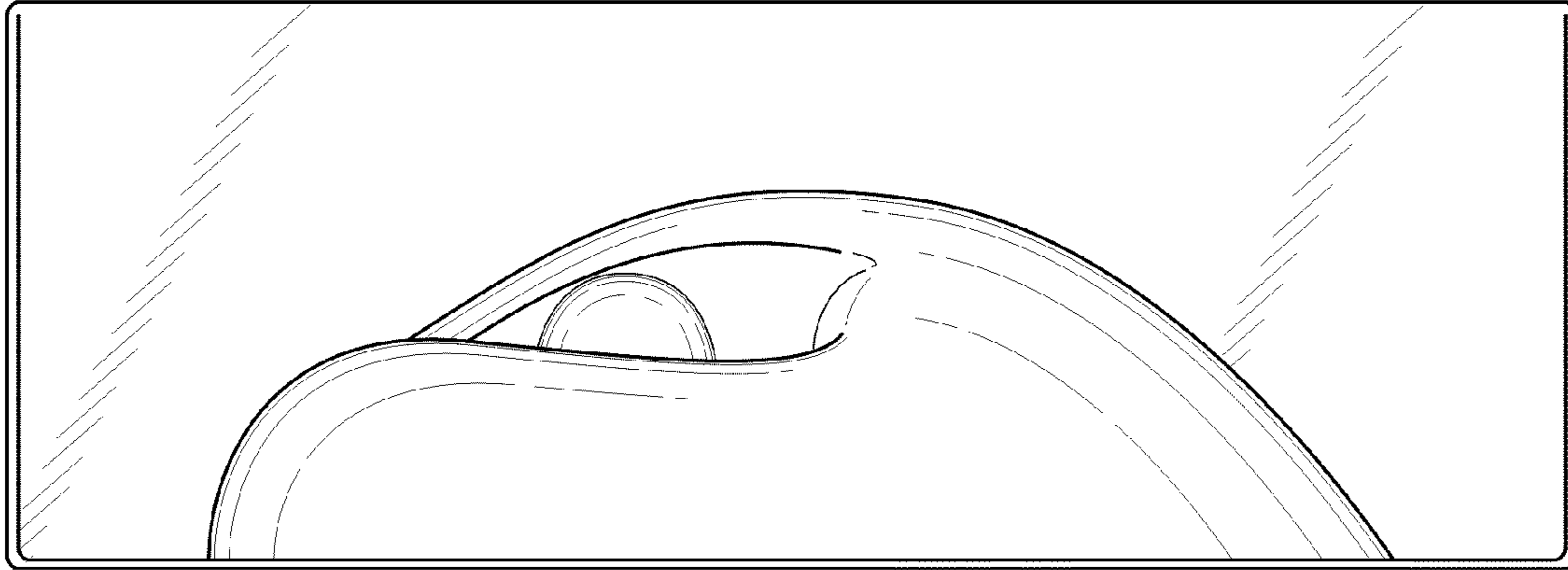


Fig. 5

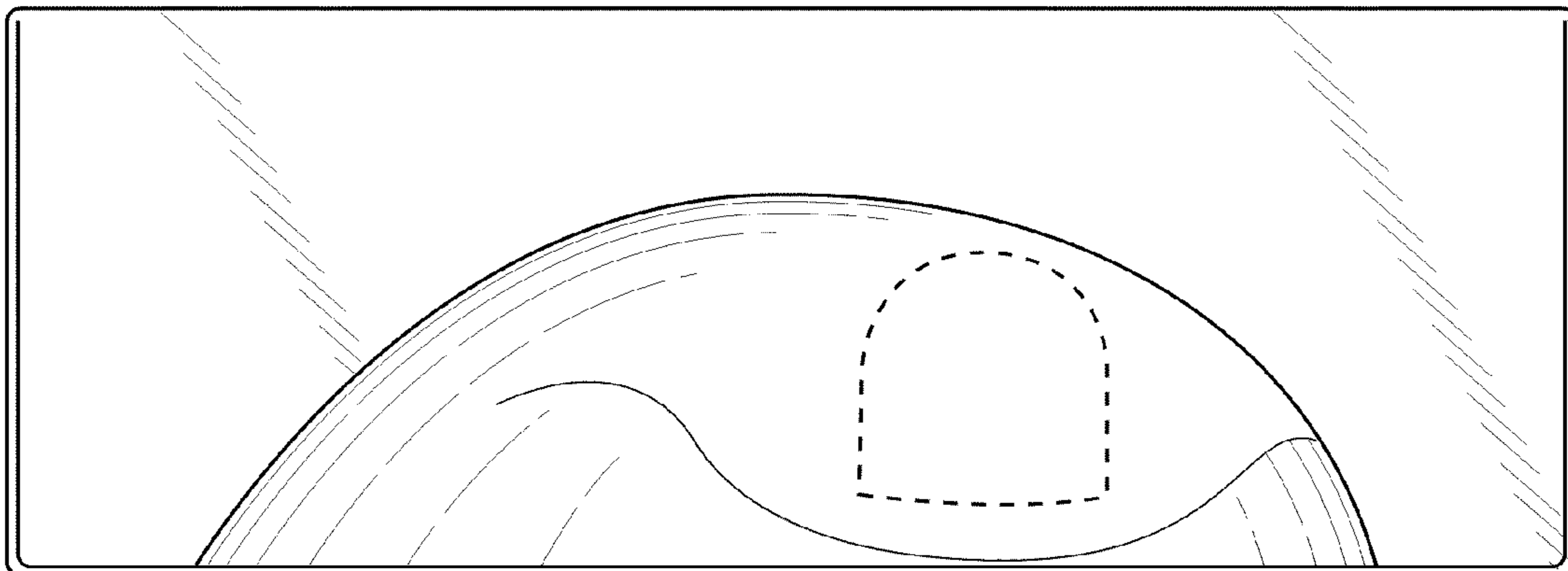


Fig. 6

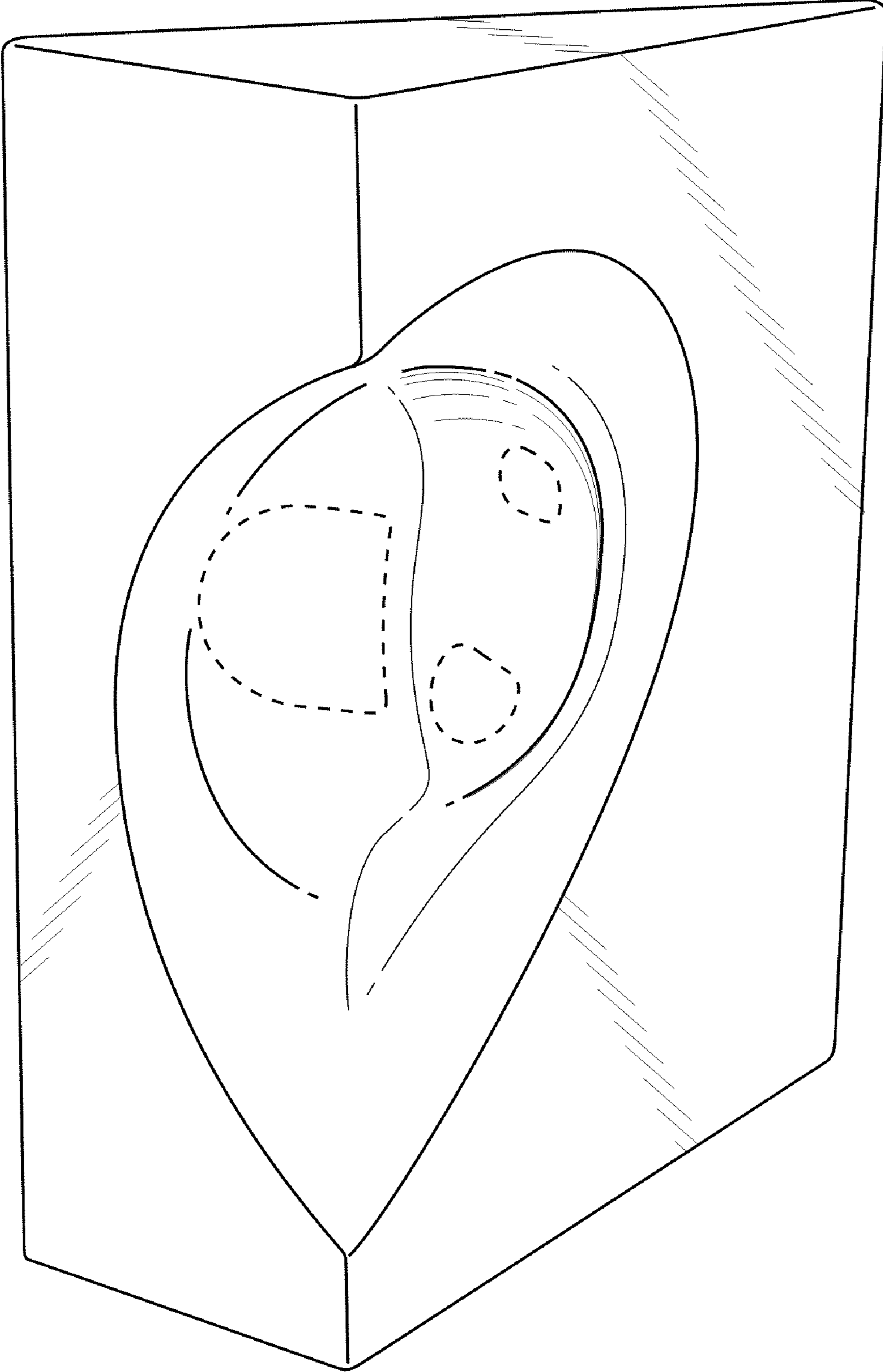


Fig. 7