



US00D620788S

(12) **United States Design Patent**
Hainaut et al.

(10) **Patent No.:** **US D620,788 S**

(45) **Date of Patent:** **** Aug. 3, 2010**

(54) **GIFT BOX**

(75) Inventors: **Laurent Hainaut**, New York, NY (US);
Harry Chong, Staten Island, NY (US);
Luciano Scarinci, Syosset, NY (US)

(73) Assignees: **Raison Pure International, Inc.**, New York, NY (US); **Knoll Printing & Packaging, Inc.**, Syosset, NY (US)

(**) Term: **14 Years**

(21) Appl. No.: **29/357,258**

(22) Filed: **Mar. 10, 2010**

(51) **LOC (9) Cl.** **09-03**

(52) **U.S. Cl.** **D9/420**

(58) **Field of Classification Search** D9/346,
D9/414, 415, 420, 422, 423, 430, 431, 432;
206/457, 45.25; 229/108, 108.1, 111, 115,
229/114, DIG. 4.8

See application file for complete search history.

(56) **References Cited**

U.S. PATENT DOCUMENTS

756,494 A * 4/1904 Graham 229/111
3,967,772 A * 7/1976 Baker 229/110
D268,328 S * 3/1983 Lovett, Jr. D3/295
D284,840 S * 7/1986 Van Woerkom D9/431

D328,031 S * 7/1992 Serna D9/430
D328,251 S * 7/1992 Serna D9/430
D332,219 S * 1/1993 Serna D9/430
D373,528 S * 9/1996 Ser Tuen Wei D9/431
D529,377 S * 10/2006 Heiss D9/431
D551,967 S * 10/2007 Hengami D9/431

* cited by examiner

Primary Examiner—Daniel D Bui

Assistant Examiner—Thomas J Johannes

(74) *Attorney, Agent, or Firm*—Gottlieb, Rackman & Reisman

(57) **CLAIM**

The ornamental design for a gift box, as shown and described.

DESCRIPTION

FIG. 1 is a perspective view of a gift box, showing our new design;

FIG. 2 is a front elevation view thereof;

FIG. 3 is a top plan view thereof;

FIG. 4 is a right side elevation view thereof;

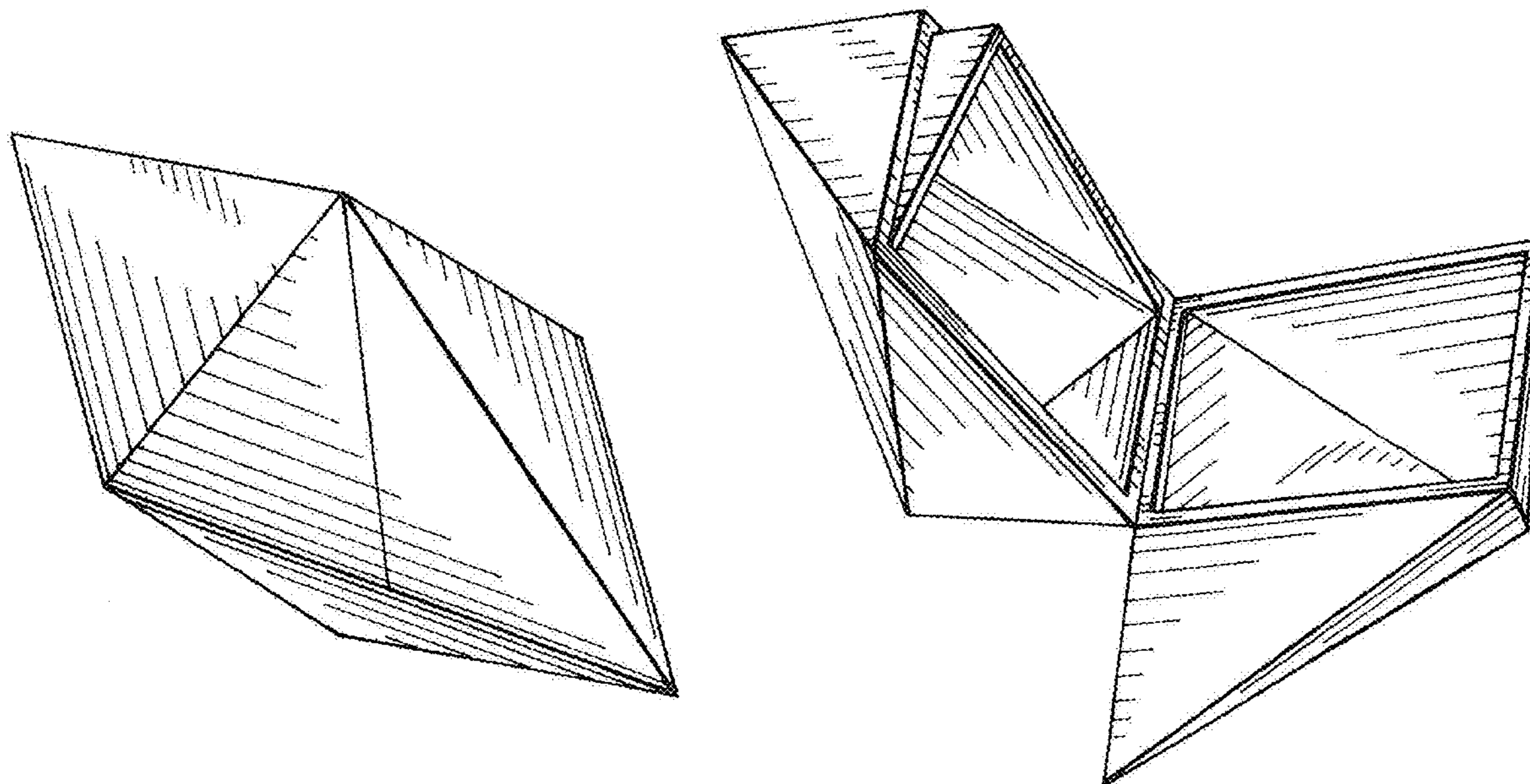
FIG. 5 is a left side elevation view thereof;

FIG. 6 is a rear elevation view thereof;

FIG. 7 is a bottom plan view thereof; and,

FIG. 8 is an open perspective view thereof.

1 Claim, 4 Drawing Sheets



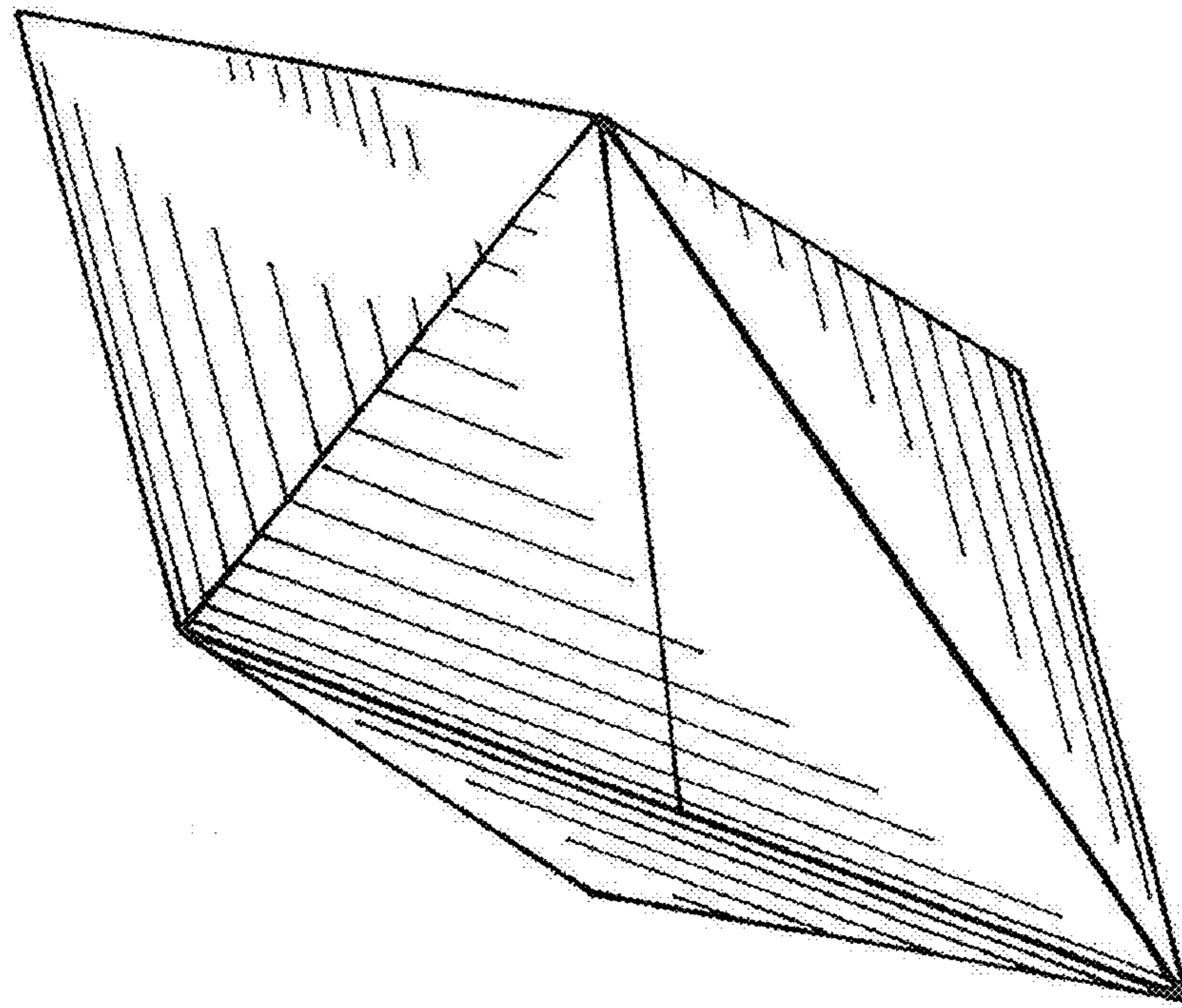


FIG. 1

FIG. 2

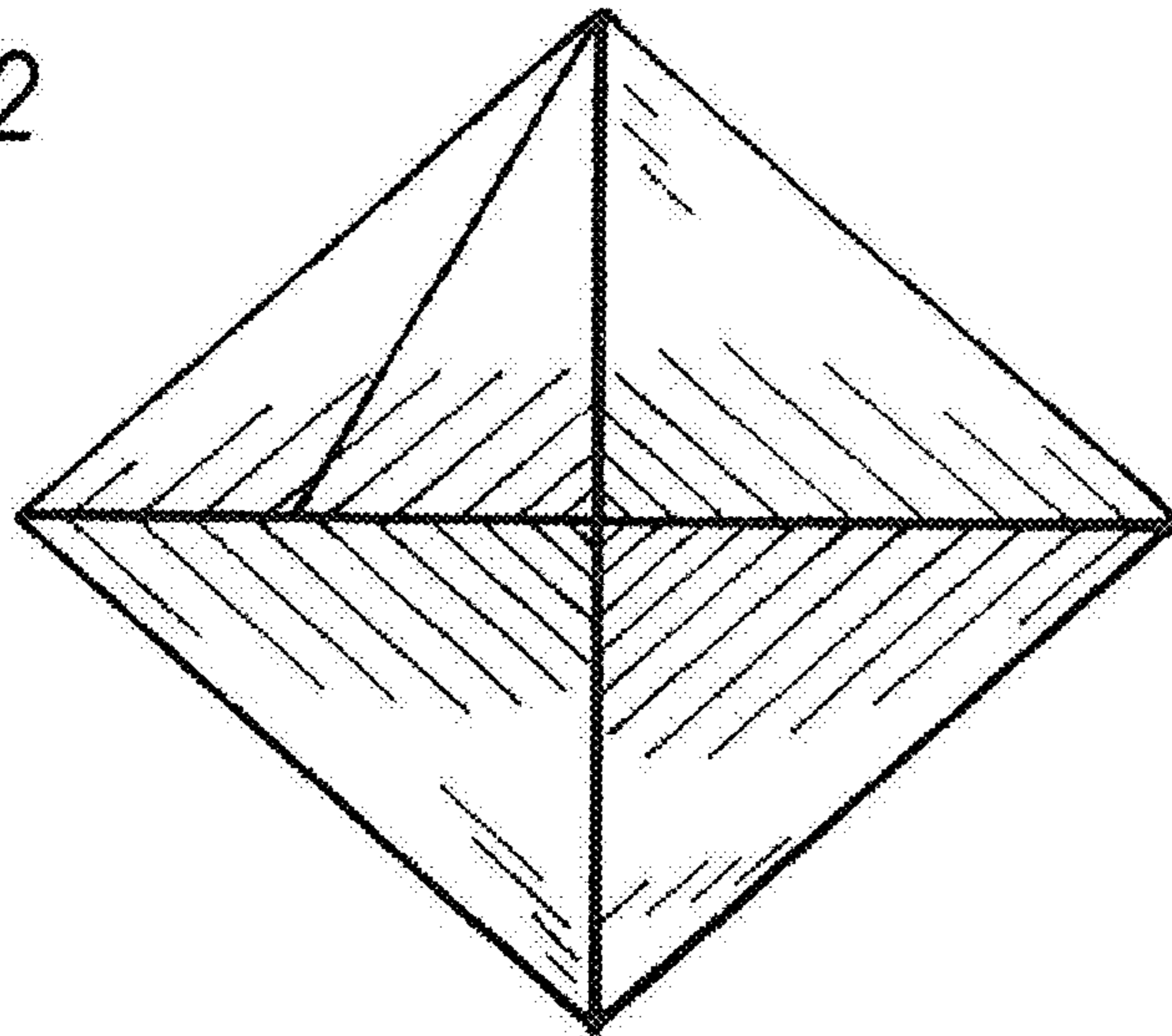


FIG. 3

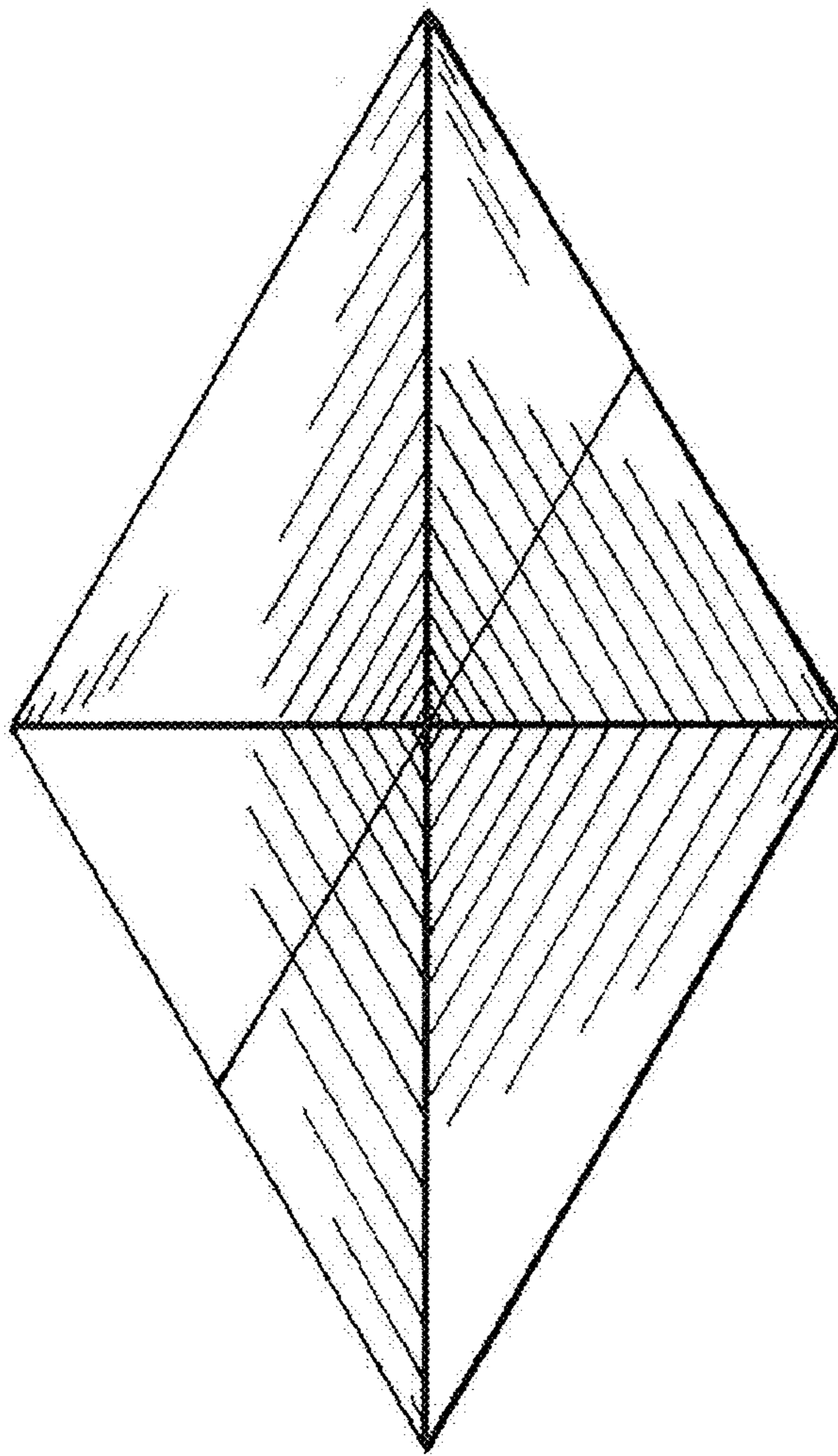
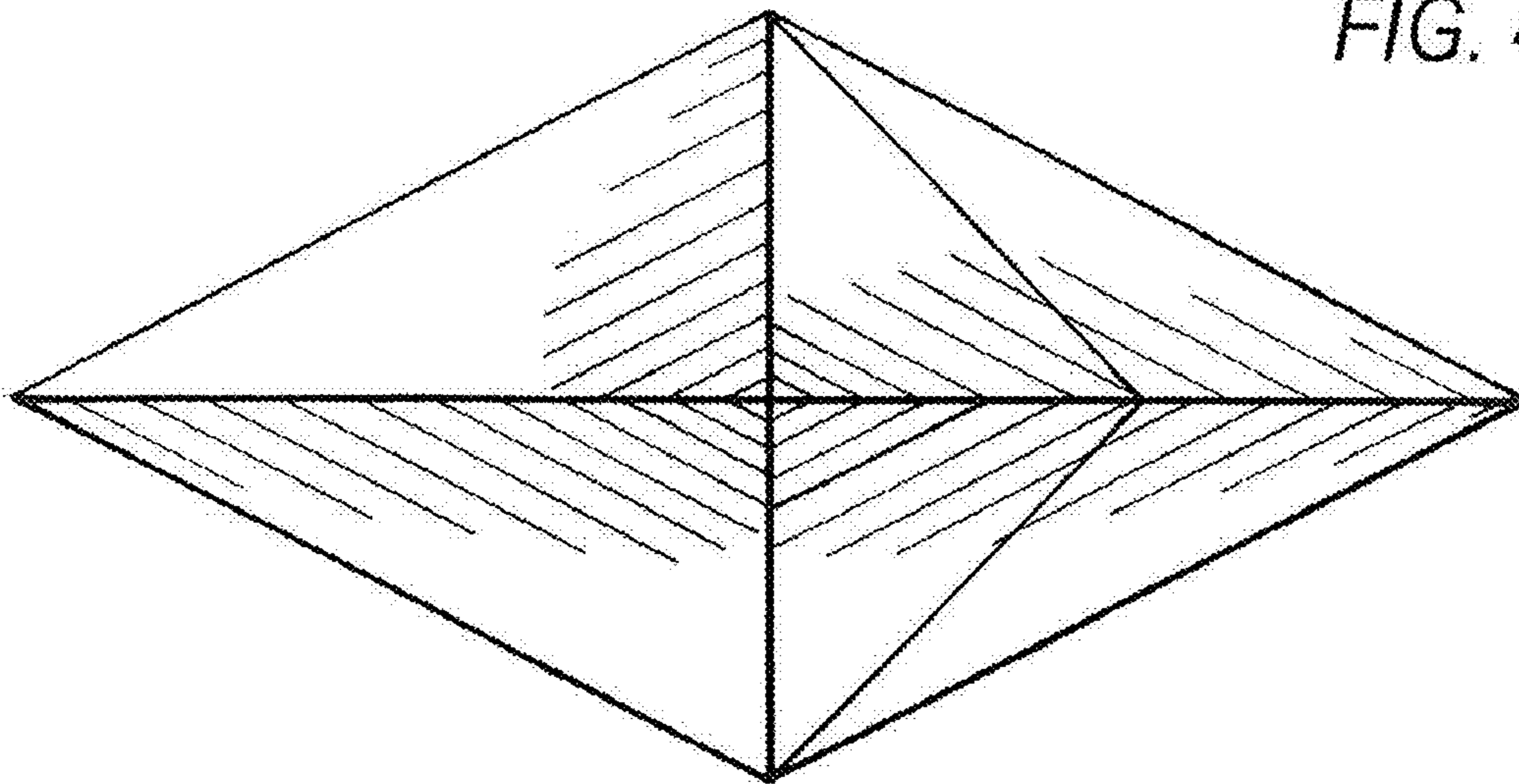


FIG. 4



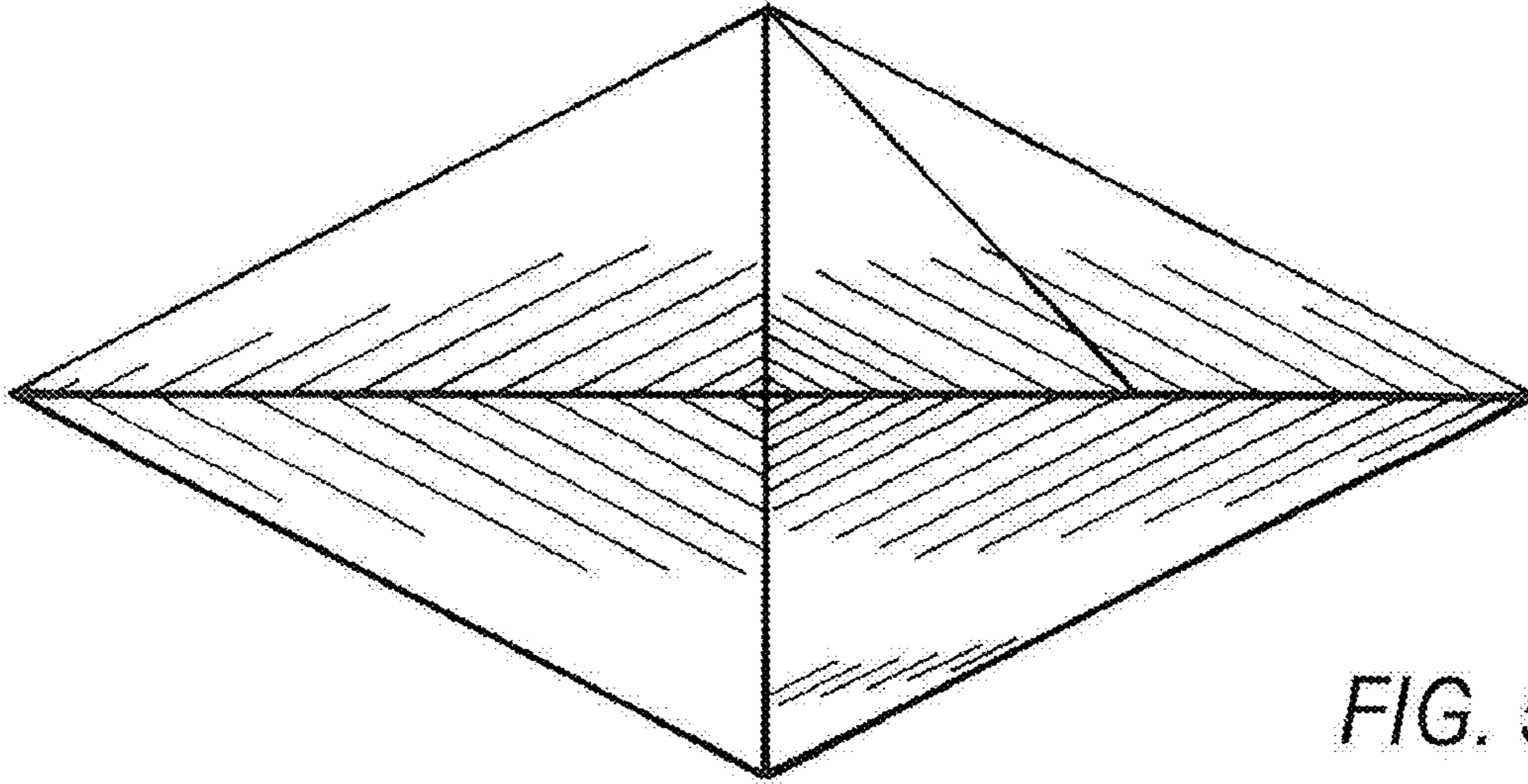


FIG. 5

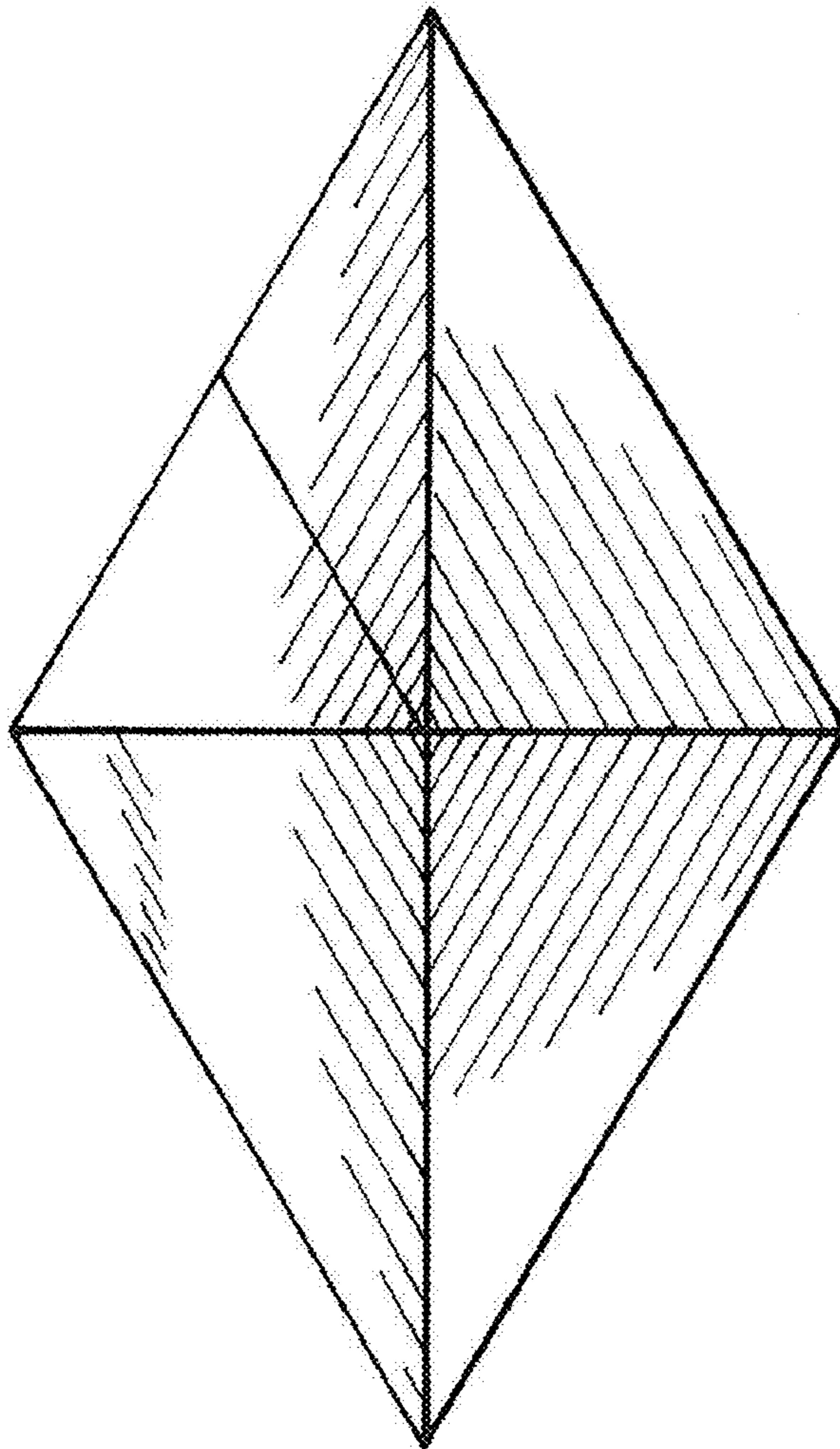


FIG. 7

FIG. 6

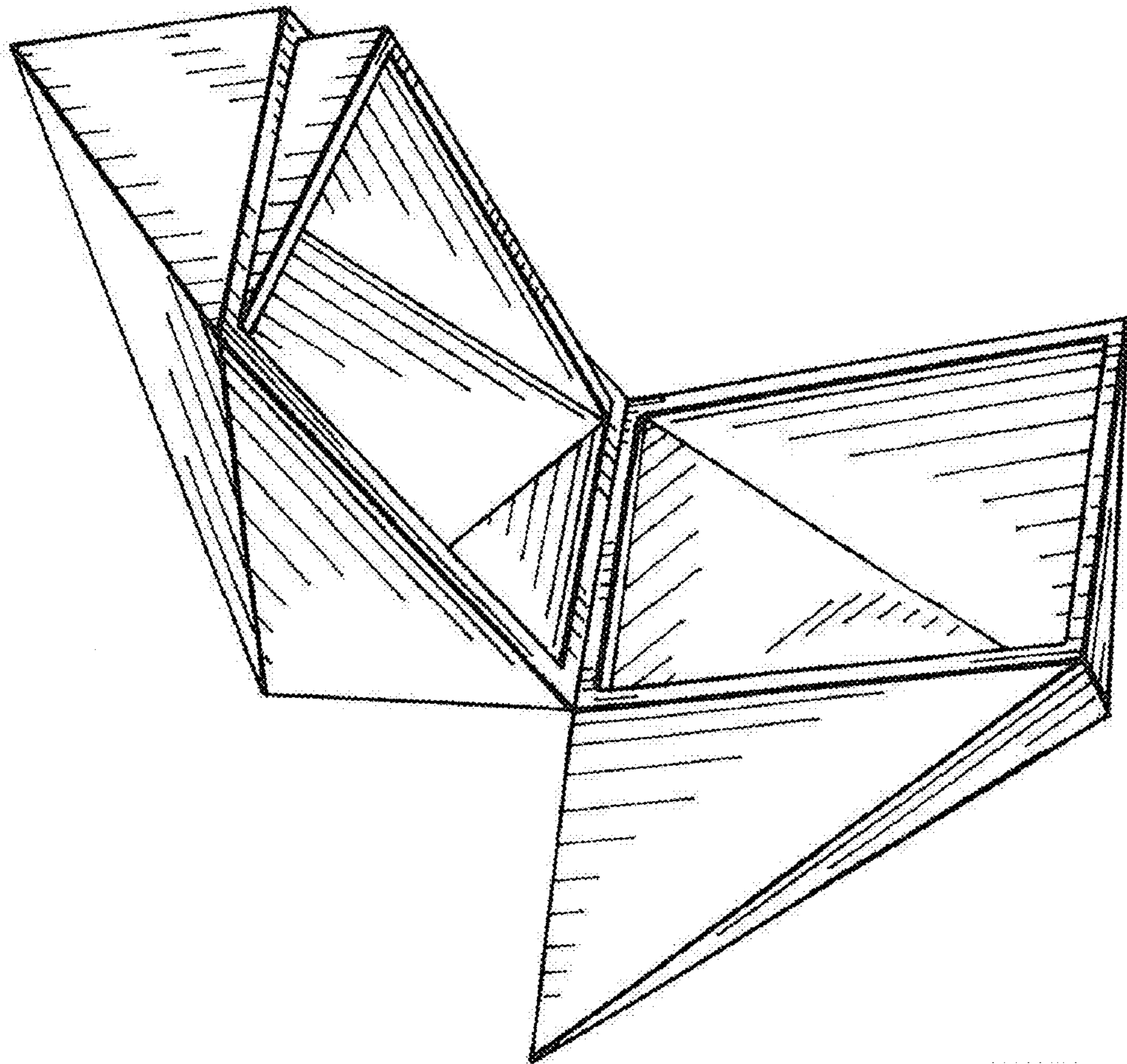
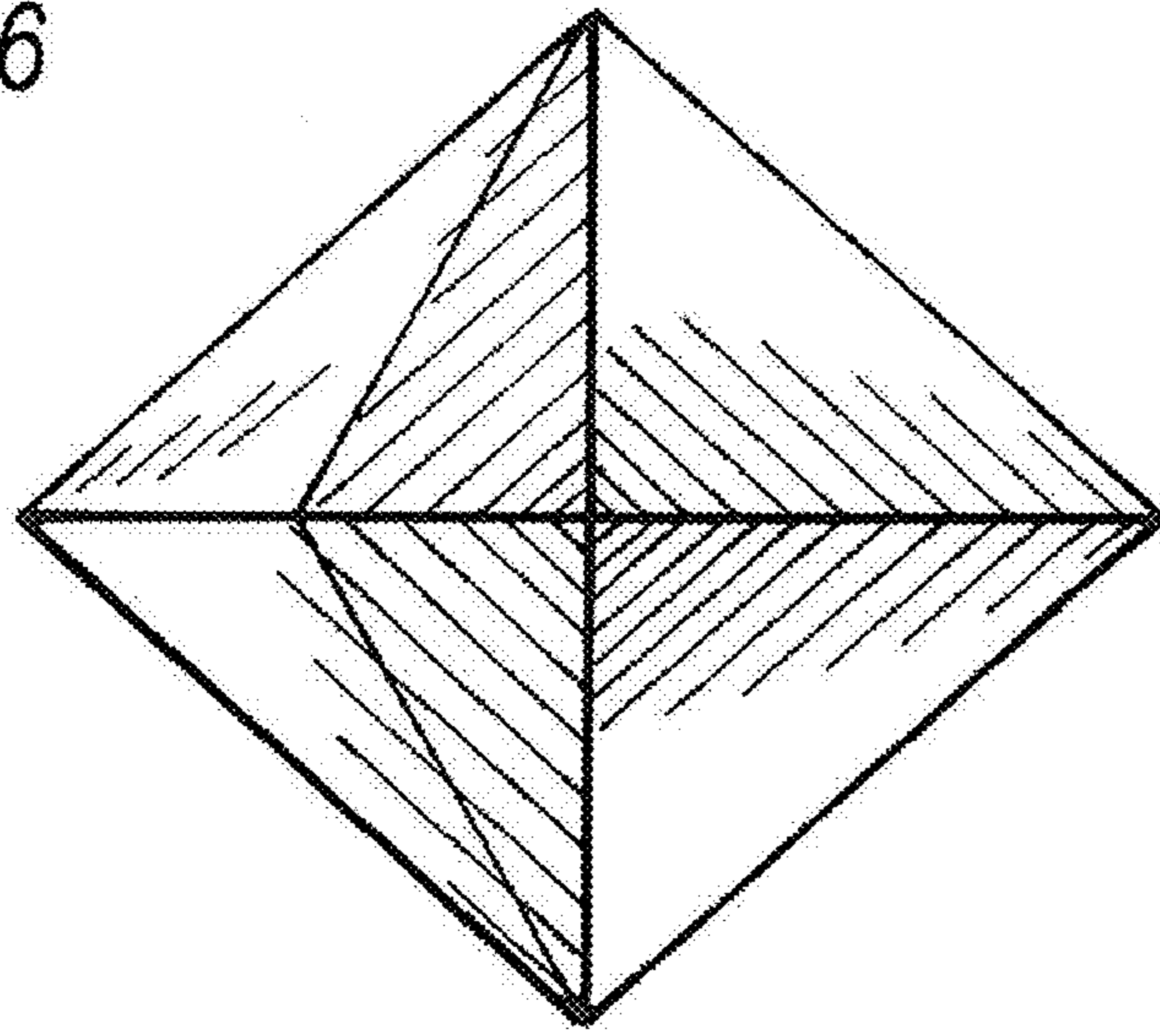


FIG. 8