



US00D620787S

(12) **United States Design Patent**  
**Moriya**

(10) **Patent No.:** **US D620,787 S**  
(45) **Date of Patent:** **\*\* Aug. 3, 2010**

(54) **PACKAGING CONTAINER**

D549,094 S \* 8/2007 Oner et al. .... D9/425  
D575,147 S \* 8/2008 Ruybal ..... D9/418

(75) Inventor: **Minami Moriya**, Tokyo (JP)

(73) Assignee: **Otsuka Pharmaceutical Co., Ltd.** (JP)

(\*\*) Term: **14 Years**

(21) Appl. No.: **29/294,692**

(22) Filed: **Jan. 23, 2008**

(30) **Foreign Application Priority Data**

Jul. 23, 2007 (JP) ..... 2007-019847

(51) **LOC (9) Cl.** ..... **09-03**

(52) **U.S. Cl.** ..... **D9/416; D9/737**

(58) **Field of Classification Search** ..... D9/737,  
D9/416, 420-426, 417, 432, 414, 499, 734,  
D9/730, 702; D7/629; D3/201, 263; 206/0.6,  
206/0.7, 0.5, 0.81, 484.1, 484.2, 484, 813,  
206/815, 824, 828; 229/906, 235, 238, 239;  
220/375-377, 500, 675

See application file for complete search history.

(56) **References Cited**

**U.S. PATENT DOCUMENTS**

- 4,342,395 A \* 8/1982 Brown ..... 206/530
- 5,503,858 A \* 4/1996 Reskow ..... 426/119
- D380,962 S \* 7/1997 Trigger ..... D9/415
- D407,640 S \* 4/1999 Nelson et al. .... D9/416
- D425,416 S \* 5/2000 Denham et al. .... D9/416
- 6,059,112 A \* 5/2000 Dykstra et al. .... 206/438
- D426,152 S \* 6/2000 Denham et al. .... D9/416
- D445,673 S \* 7/2001 Richardson ..... D9/416
- D454,493 S \* 3/2002 Chung ..... D9/423
- D459,222 S \* 6/2002 Mello et al. .... D9/418
- D462,900 S \* 9/2002 Yamada et al. .... D9/416
- D485,942 S \* 1/2004 McLeish ..... D28/8.1
- D487,698 S \* 3/2004 Rasmussen ..... D9/417
- D515,915 S \* 2/2006 Karim ..... D9/416
- D527,997 S \* 9/2006 Kudo et al. .... D9/425
- D530,626 S \* 10/2006 Tanja ..... D9/761
- D535,196 S \* 1/2007 Ueda et al. .... D9/756
- 7,247,329 B2 \* 7/2007 Mattisson ..... 426/108

**OTHER PUBLICATIONS**

Japanese Gazette, Japanese Design Registration No. 1057344, published Dec. 24, 1999.

Japanese Gazette, Japanese Design Registration No. 1057345, published Dec. 24, 1999.

Japanese Gazette, Japanese Design Registration No. 1094698, published Dec. 25, 2000.

Japanese Gazette, Japanese Design Registration No. 1099981, published Feb. 5, 2001.

Japanese Gazette, Japanese Design Registration No. 1122097, published Sep. 25, 2001.

(Continued)

*Primary Examiner*—Mark A Goodwin

(74) *Attorney, Agent, or Firm*—SAIDMAN DesignLaw Group

(57) **CLAIM**

The ornamental design for a packaging container, as shown and described.

**DESCRIPTION**

FIG. 1 is a front view of a packaging container showing my new design;

FIG. 2 is a rear view thereof;

FIG. 3 is a top view thereof;

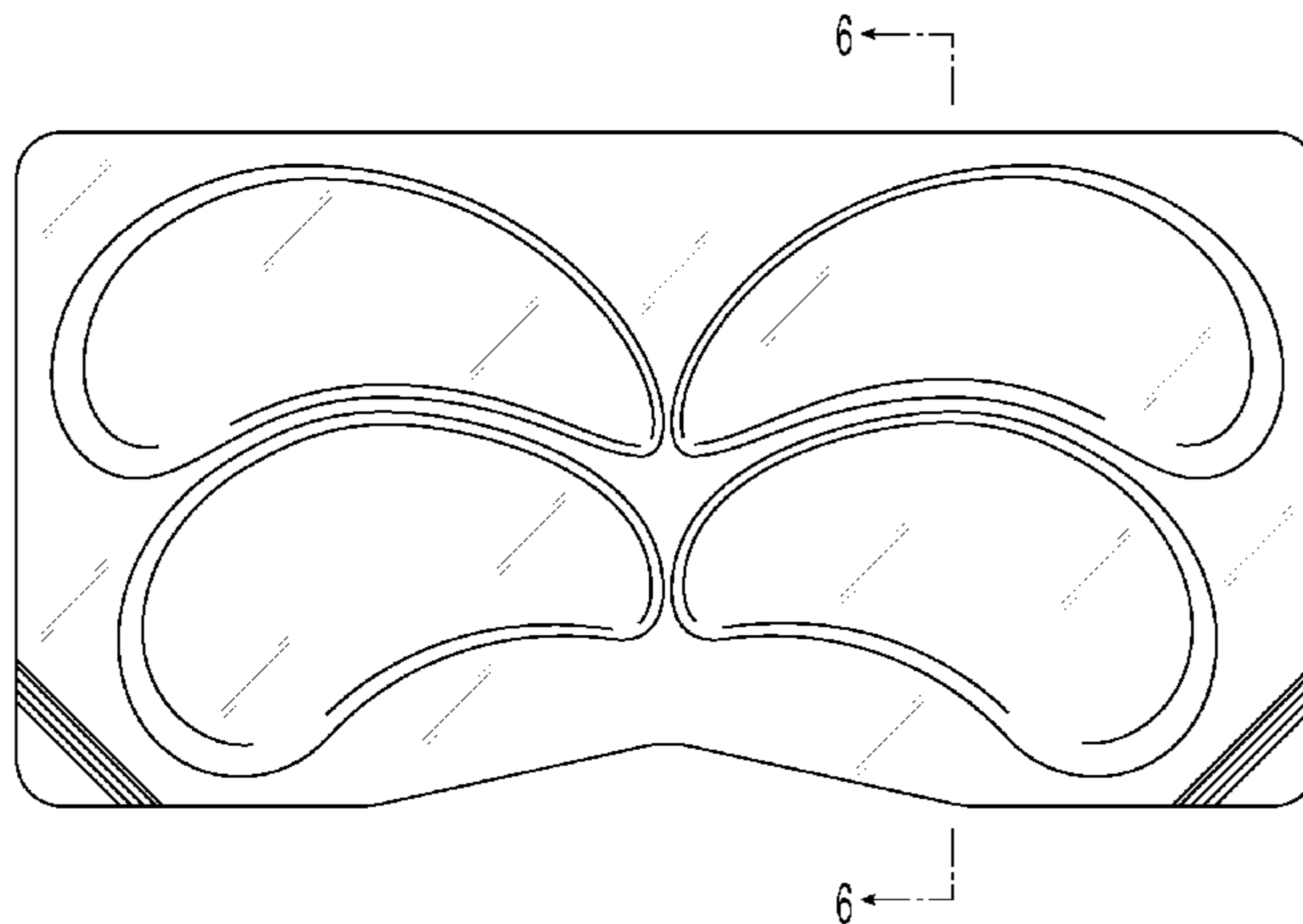
FIG. 4 is a bottom view thereof;

FIG. 5 is a right-side view, the left-side being a mirror image thereof; and,

FIG. 6 is a sectional view taken along line 6—6 of FIG. 3.

The broken diagonal lines on the drawings indicate translucency.

**1 Claim, 3 Drawing Sheets**



OTHER PUBLICATIONS

Japanese Gazette, Japanese Design Registration No. 1123213, published Oct. 9, 2001.

Japanese Gazette, Japanese Design Registration No. 1123214, published Oct. 9, 2001.

Japanese Gazette, Japanese Design Registration No. 1126353, published Nov. 12, 2001.

Japanese Gazette, Japanese Design Registration No. 1126354, published Nov. 12, 2001.

Japanese Gazette, Japanese Design Registration No. 1126355, published Nov. 12, 2001.

Japanese Gazette, Japanese Design Registration No. 1126356, published Nov. 12, 2001.

Japanese Gazette, Japanese Design Registration No. 1127563, published Dec. 4, 2001.

Japanese Gazette, Japanese Design Registration No. 1172170, published Apr. 28, 2003.

Japanese Gazette, Japanese Design Registration No. 1174758, published Jun. 3, 2003.

Japanese Gazette, Japanese Design Registration No. 1176739, published Jun. 23, 2003.

Japanese Gazette, Japanese Design Registration No. 1189329, published Nov. 5, 2003.

Japanese Gazette, Japanese Design Registration No. 1189330, published Nov. 5, 2003.

Japanese Gazette, Japanese Design Registration No. 1218491, published Sep. 27, 2004.

Japanese Gazette, Japanese Design Registration No. 1232172, published Mar. 7, 2005.

Japanese Gazette, Japanese Design Registration No. 1232358, published Mar. 7, 2005.

Japanese Gazette, Japanese Design Registration No. 1242242, published Jun. 13, 2005.

Japanese Gazette, Japanese Design Registration No. 1280929, published Sep. 11, 2006.

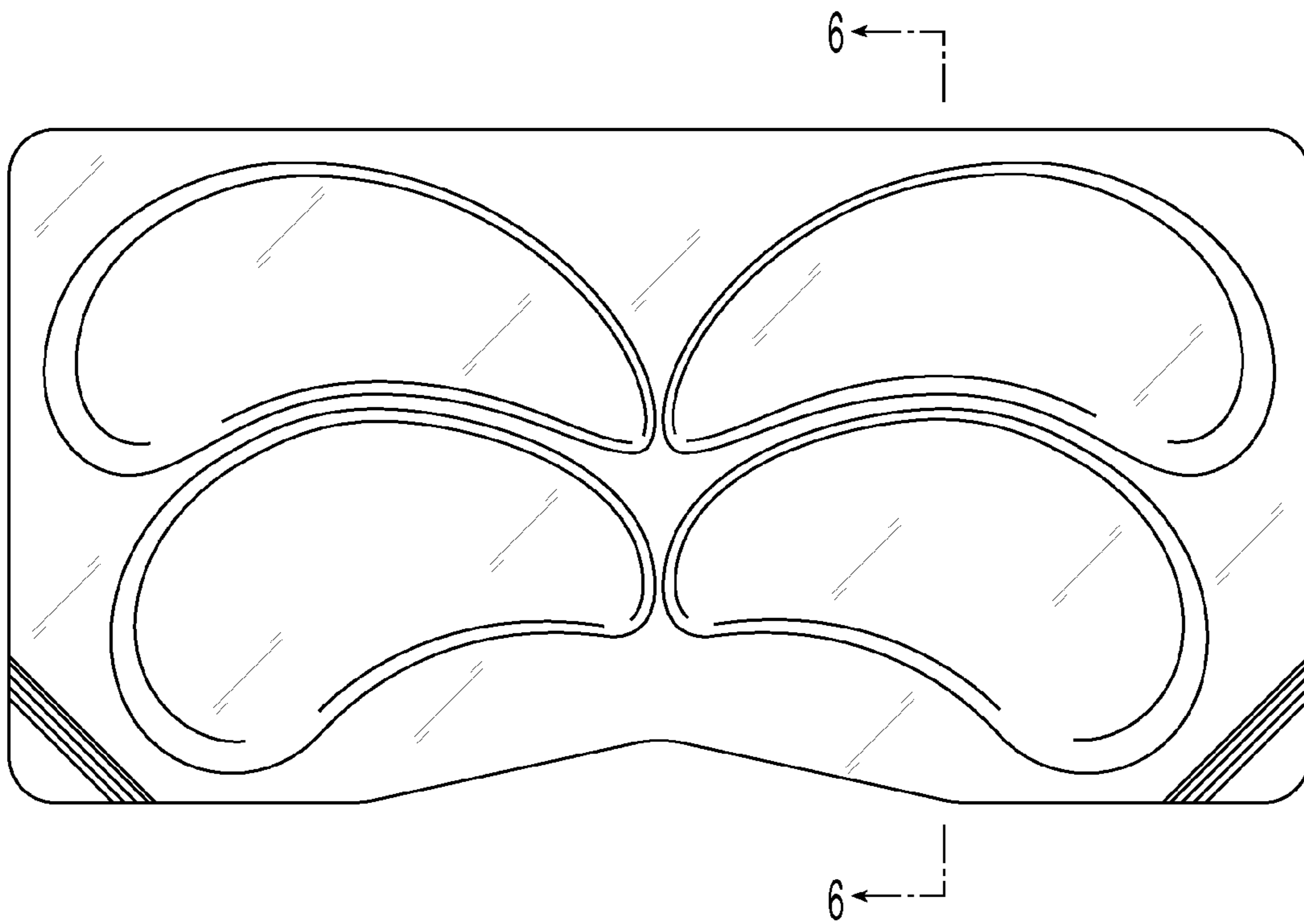
\* cited by examiner



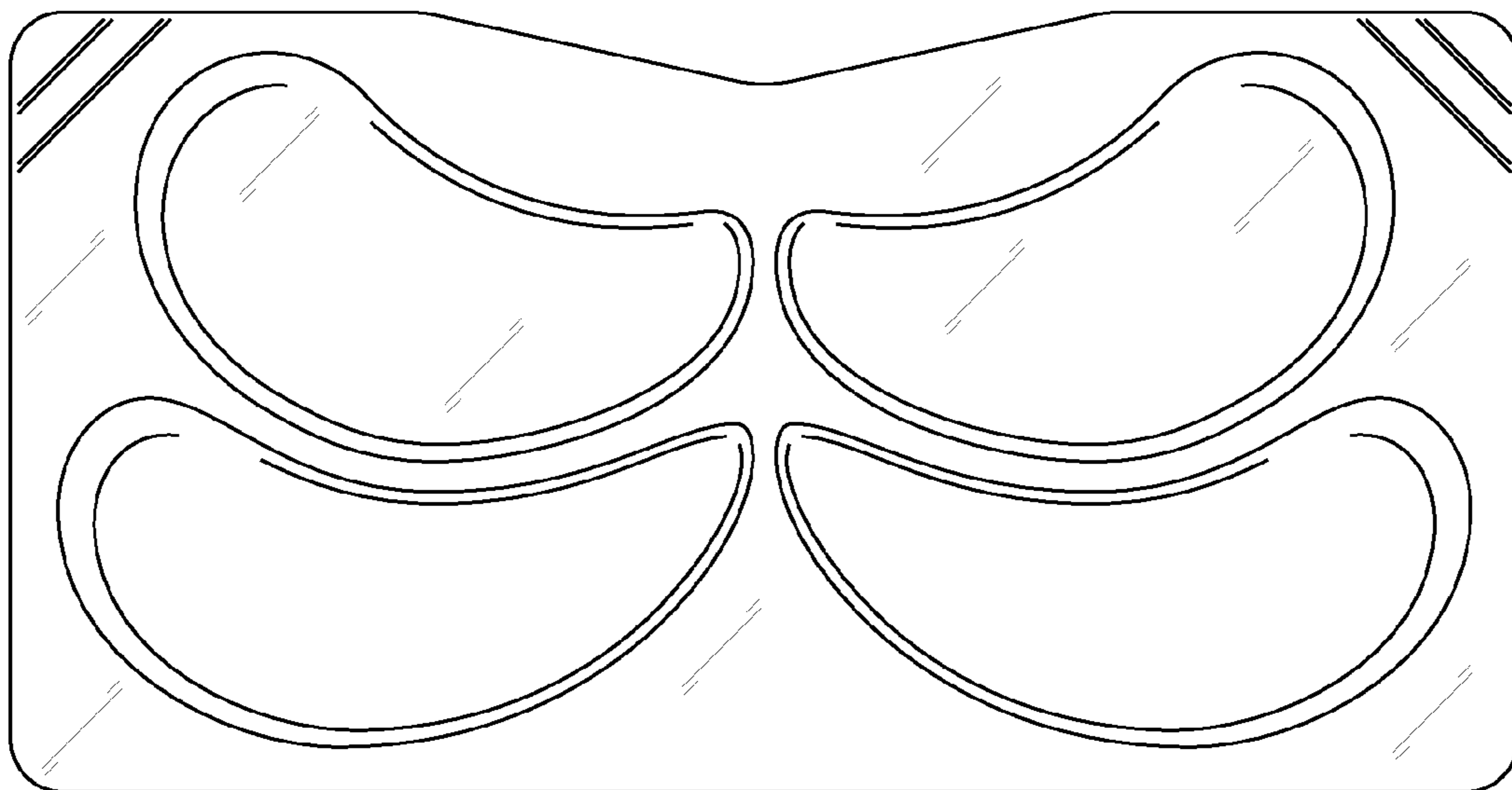
**Fig. 1**



**Fig. 2**



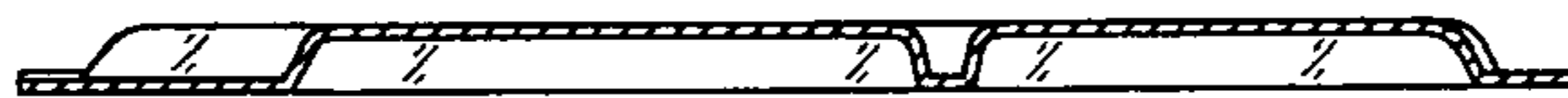
**Fig. 3**



**Fig. 4**



**Fig. 5**



**Fig. 6**