



US00D620786S

(12) **United States Design Patent**
Gretz

(10) **Patent No.:** **US D620,786 S**

(45) **Date of Patent:** **** Aug. 3, 2010**

(54) **WIRE GRIPPER**

(75) Inventor: **Thomas J. Gretz**, Port St. Lucie, FL
(US)

(73) Assignee: **Arlington Industries, Inc.**, Scranton, PA
(US)

(**) Term: **14 Years**

(21) Appl. No.: **29/348,989**

(22) Filed: **Feb. 26, 2010**

(51) **LOC (9) Cl.** **08-08**

(52) **U.S. Cl.** **D8/396**

(58) **Field of Classification Search** D8/354-356,
D8/373, 371, 376, 394-396, 382, 380, 349,
D8/71-74; 248/49, 61, 62, 63, 74.1-74.4,
248/73; 294/132; 174/40 R, 40 CC
See application file for complete search history.

(56) **References Cited**

U.S. PATENT DOCUMENTS

3,096,110 A * 7/1963 Cantor 403/385
3,860,351 A * 1/1975 Weiss et al. 403/218
4,593,877 A * 6/1986 van der Wyk 248/512
D289,852 S * 5/1987 Tuvevsson D8/373

D309,255 S * 7/1990 Karow, Jr. D8/395
D312,567 S * 12/1990 Gilman D8/394
D349,036 S * 7/1994 Egigian D8/349
5,733,139 A * 3/1998 Bray et al. 439/402
D400,428 S * 11/1998 Sabounjian D8/382
D488,092 S * 4/2004 Bruckler D11/182
D504,304 S * 4/2005 Hancock D8/354
D522,348 S * 6/2006 Hansen D8/354
D531,890 S * 11/2006 Bentrim D8/382
7,191,988 B2 * 3/2007 Kim et al. 248/68.1
D577,990 S * 10/2008 Andre et al. D8/395
D591,587 S * 5/2009 Mason D8/396

* cited by examiner

Primary Examiner—Cathron C Brooks

Assistant Examiner—John Windmuller

(57) **CLAIM**

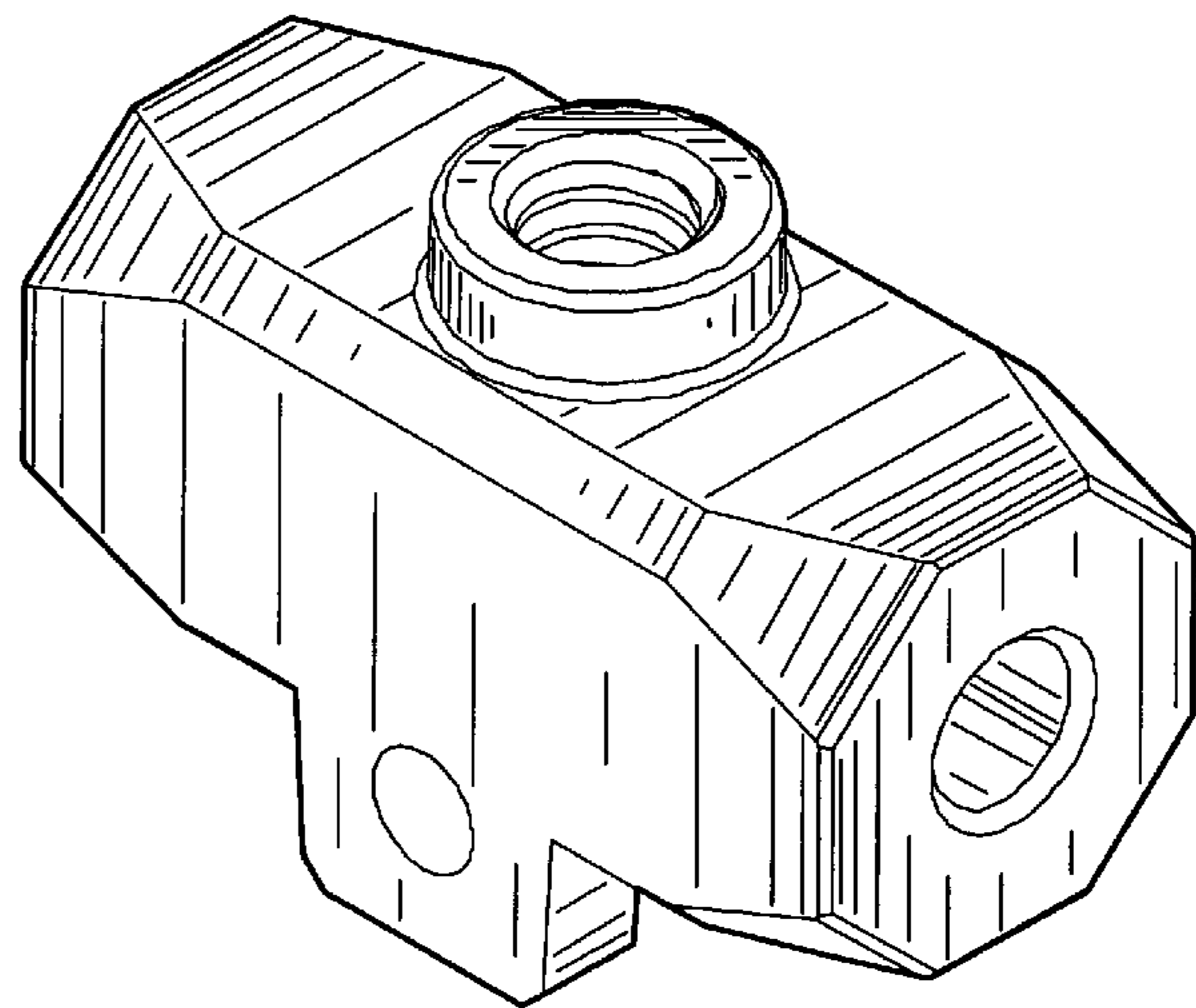
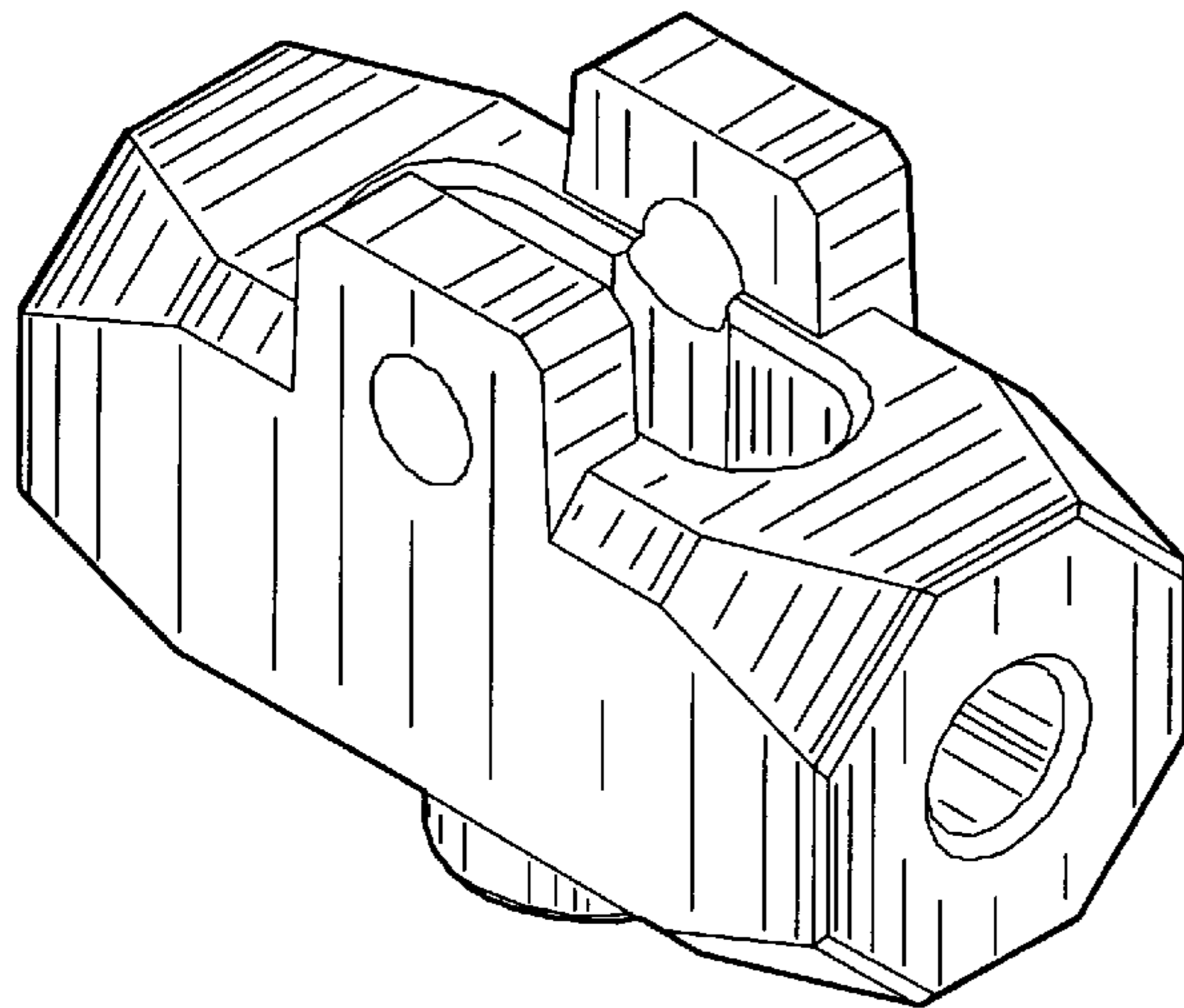
The ornamental design for a wire gripper, as shown and described.

DESCRIPTION

FIG. 1 is a front, top perspective view of a wire gripper showing my new design; and,

FIG. 2 is a rear, bottom perspective view thereof.

1 Claim, 1 Drawing Sheet



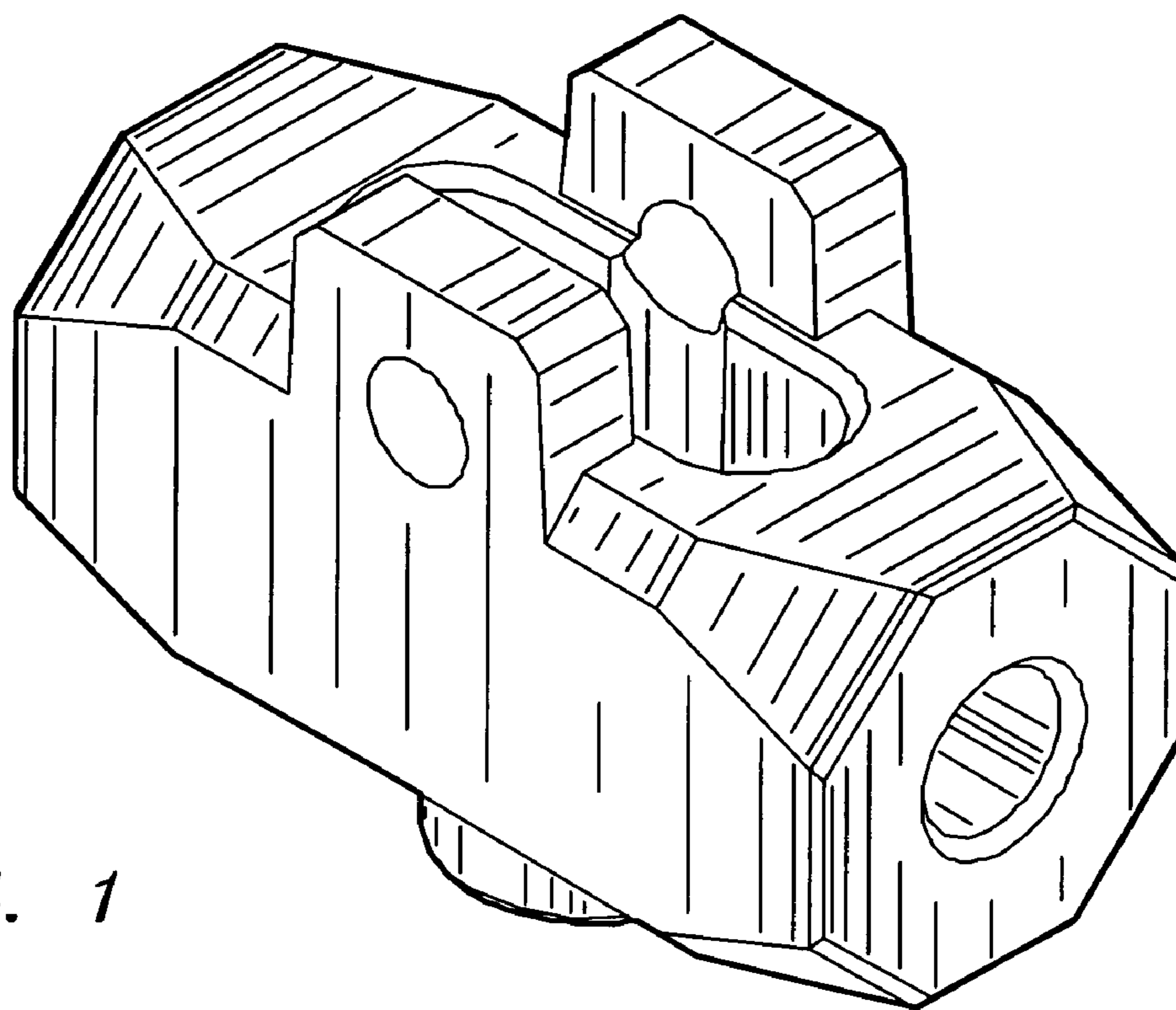


FIG. 1

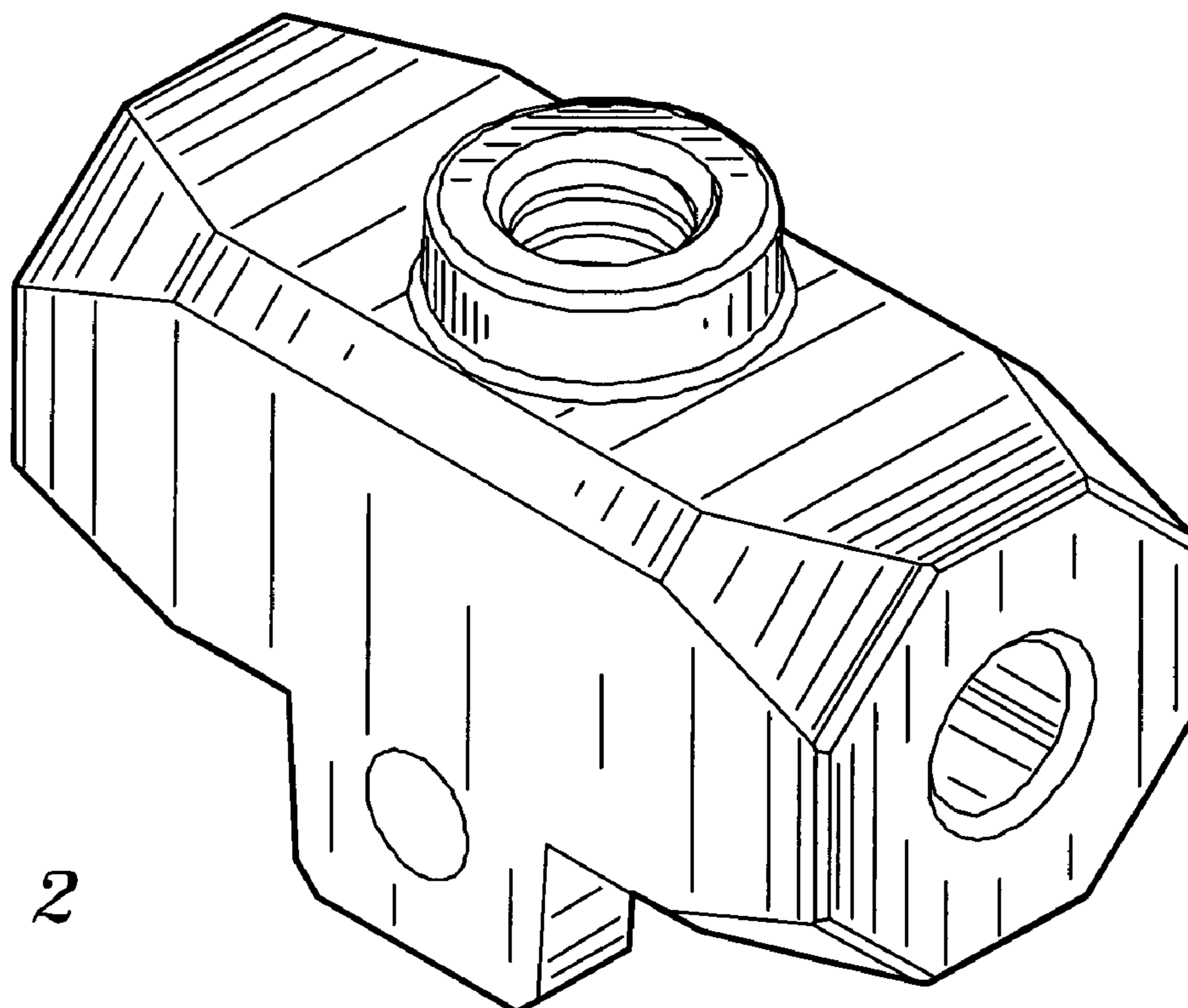


FIG. 2