



US00D620785S

(12) **United States Design Patent**  
**St. Germaine**

(10) **Patent No.:** **US D620,785 S**

(45) **Date of Patent:** **\*\* Aug. 3, 2010**

(54) **ORGANIZER LABEL CLIP**

(76) Inventor: **Marylynn St. Germaine**, P.O. Box  
32661, Tucson, AZ (US) 85751

(\*\*) Term: **14 Years**

(21) Appl. No.: **29/344,239**

(22) Filed: **Sep. 25, 2009**

(51) **LOC (9) Cl.** ..... **08-08**

(52) **U.S. Cl.** ..... **D8/395**

(58) **Field of Classification Search** ..... D8/354,  
D8/356, 371, 394-396; D19/65, 86; D24/128;  
248/74.2, 215, 227.1, 49, 300, 301, 316.7,  
248/51, 489; 24/570, 3.12; D32/61; D11/78.1  
See application file for complete search history.

(56) **References Cited**

U.S. PATENT DOCUMENTS

D51,263	S	*	9/1917	Grammes	.....	D19/65
1,462,193	A	*	7/1923	Cook	.....	40/634
D92,879	S	*	7/1934	Canter	.....	D8/388
D131,492	S	*	3/1942	Lee	.....	D11/78.1
D142,357	S	*	9/1945	Younghusbad	.....	D11/78.1
2,628,054	A	*	2/1953	Fazakerley	.....	248/311.2
D301,017	S	*	5/1989	Norman et al.	.....	D10/68
D301,120	S	*	5/1989	Alviti	.....	D11/2
D302,242	S	*	7/1989	Belash	.....	D8/395
D327,149	S	*	6/1992	Harper, IV	.....	D32/61
5,309,605	A	*	5/1994	Sato	.....	24/67.9
D350,314	S	*	9/1994	Schweitzer	.....	D11/200
D390,493	S	*	2/1998	Fletcher	.....	D11/78.1
D405,224	S	*	2/1999	Falconio	.....	D27/183
D506,783	S	*	6/2005	Siegel	.....	D19/65

D514,434	S	*	2/2006	Mariano et al.	.....	D8/395
D529,375	S	*	10/2006	Cetera	.....	D8/395
D571,649	S	*	6/2008	Baker	.....	D8/395
D596,508	S	*	7/2009	Warren	.....	D10/31
D597,827	S	*	8/2009	Brassard	.....	D8/395

\* cited by examiner

*Primary Examiner*—T. Chase Nelson  
*Assistant Examiner*—John Windmuller

(57) **CLAIM**

The ornamental design for an organizer label clip, as shown and described.

**DESCRIPTION**

FIG. 1 is a perspective view of an organizer label clip showing my new design;

FIG. 2 is a front view thereof;

FIG. 3 is a back view thereof;

FIG. 4 is a top view thereof;

FIG. 5 is a bottom view thereof;

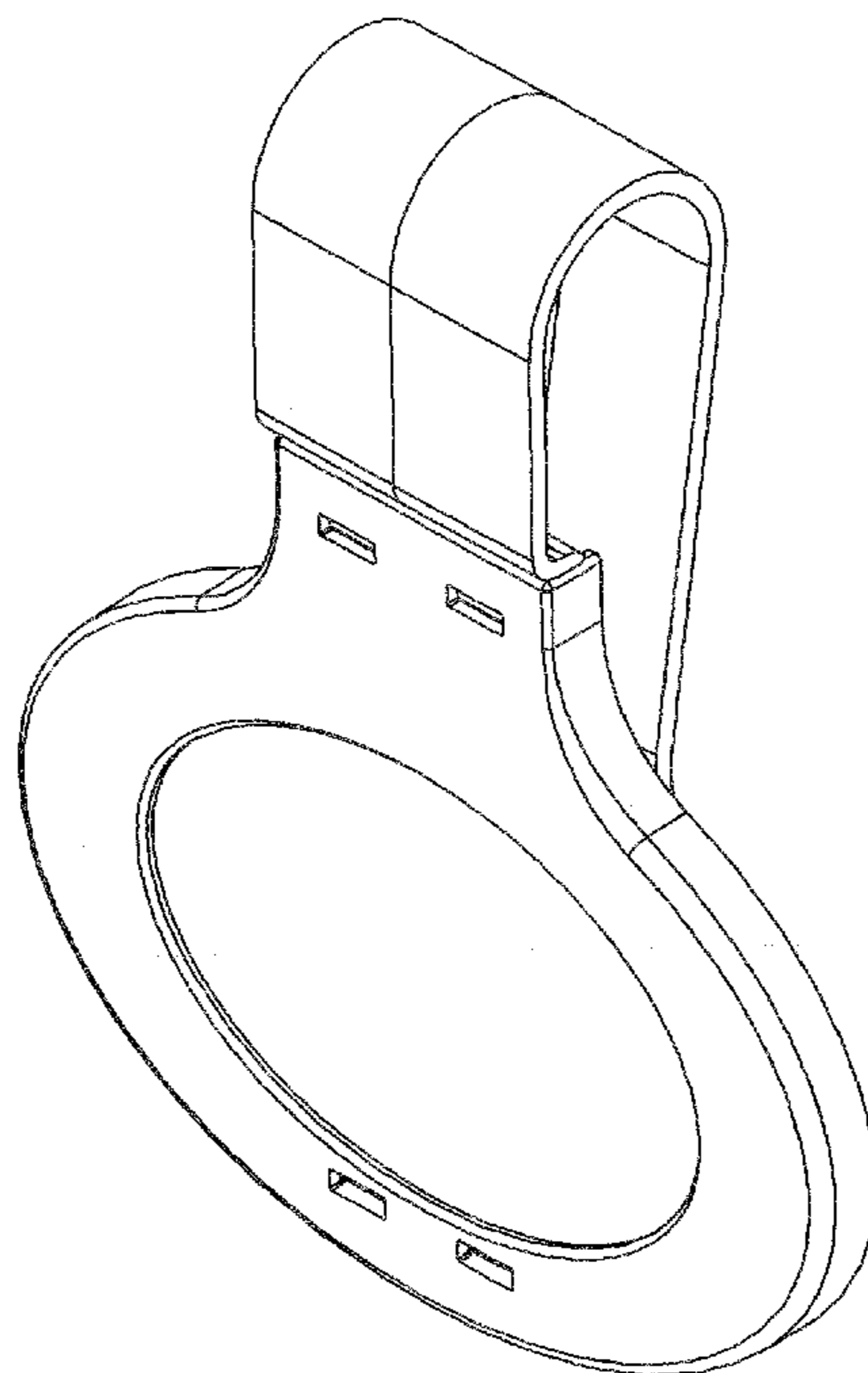
FIG. 6 is a side view thereof; and,

FIG. 7 is an opposite side view thereof.

In FIGS. 3, 6, and 7, the broken lines showing of environmental structure for purposes of illustrating the organizer label clip. The broken lines and the structure they depict form no part of the claimed design.

The broken lines in the figures depict portions of the clip that form no part of the claimed design.

**1 Claim, 7 Drawing Sheets**



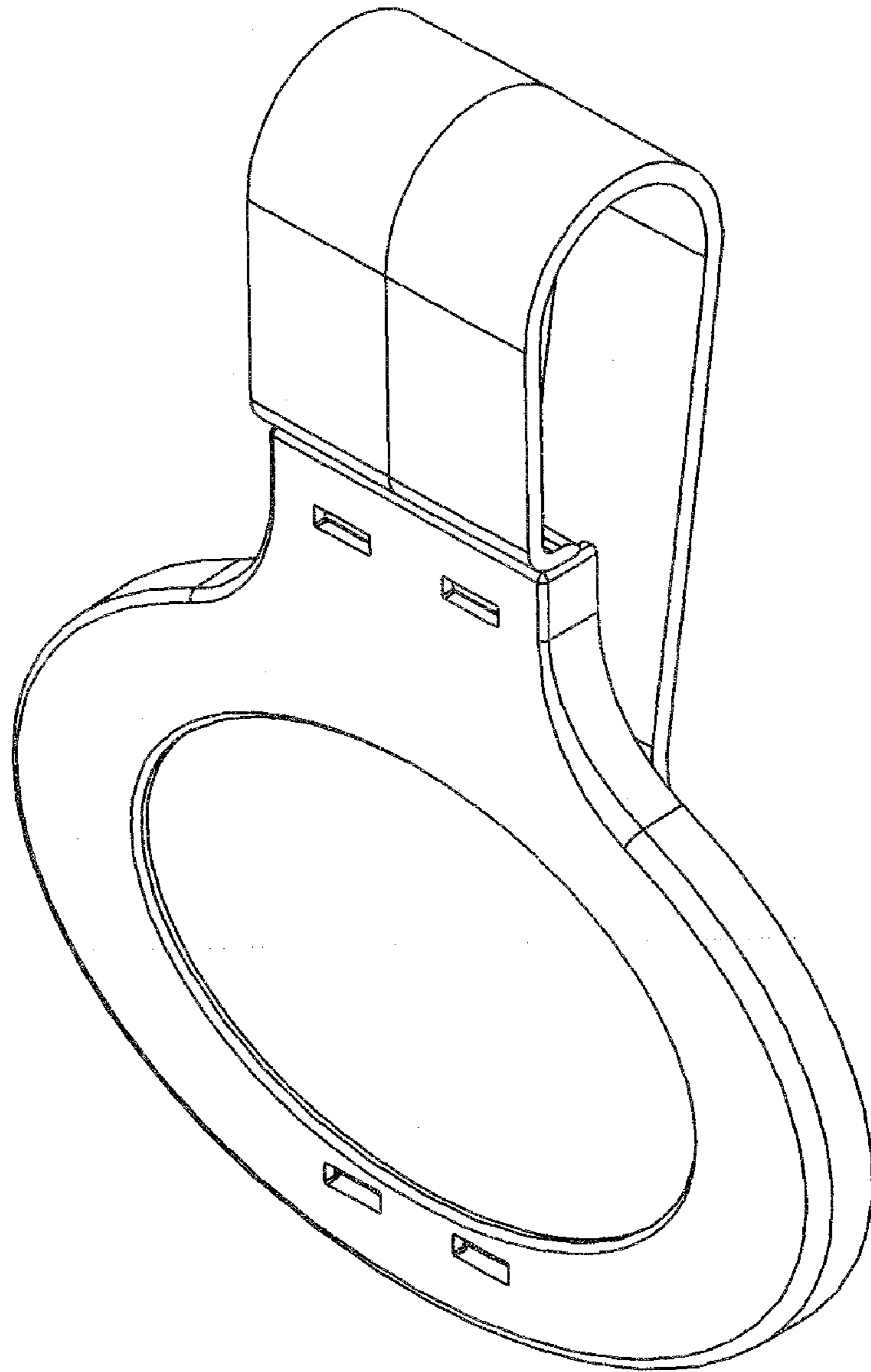


FIGURE 1

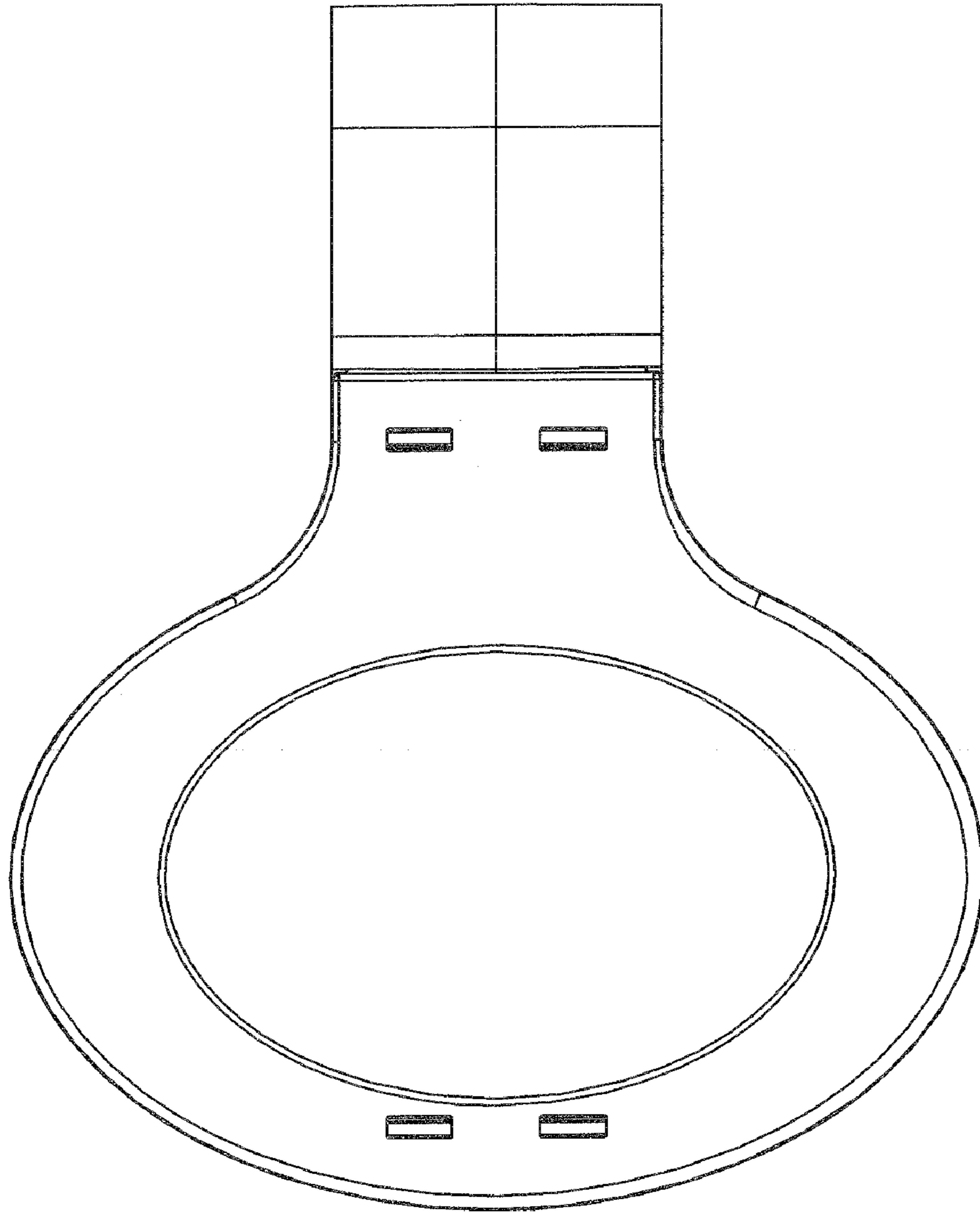


FIGURE 2

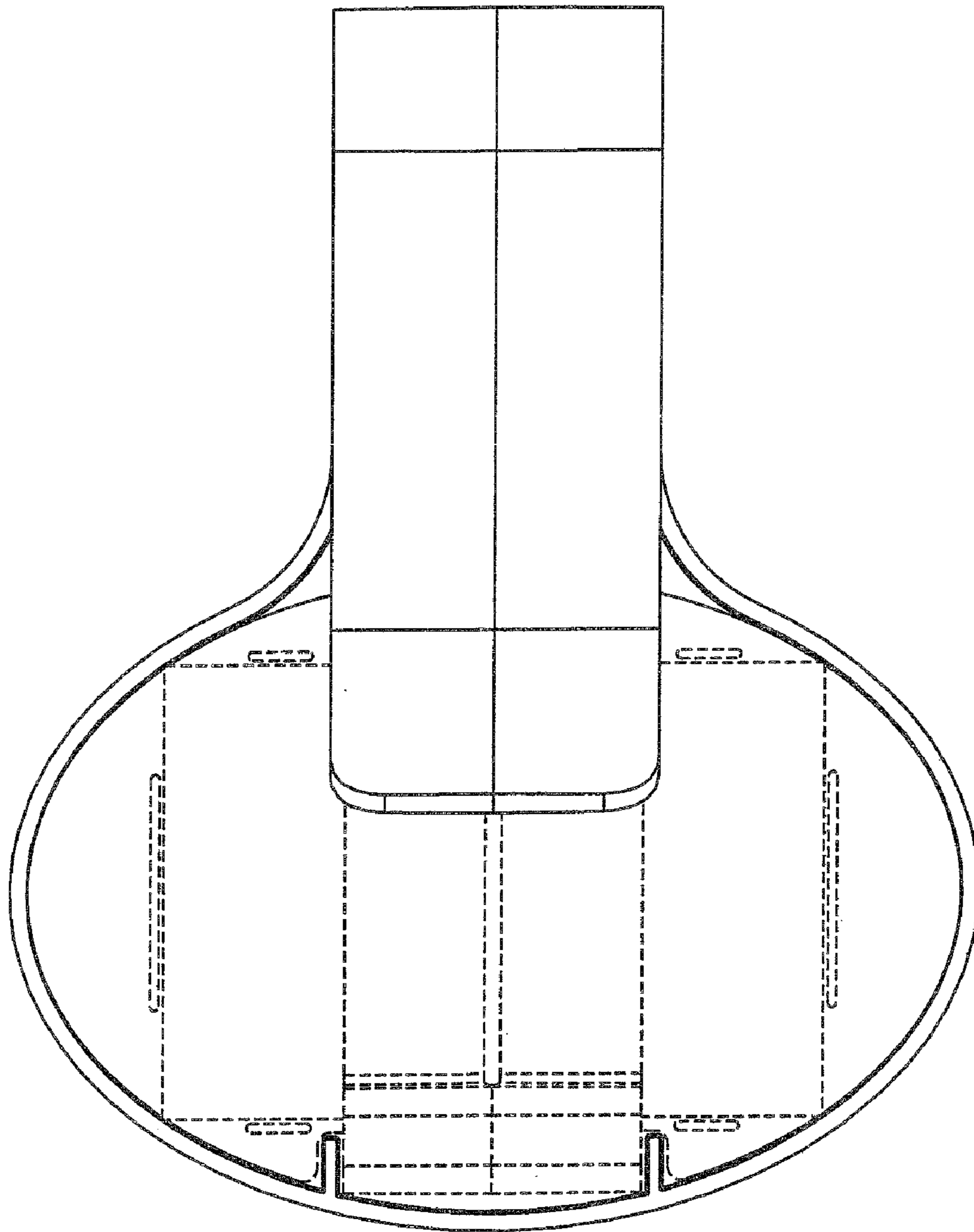


FIGURE 3

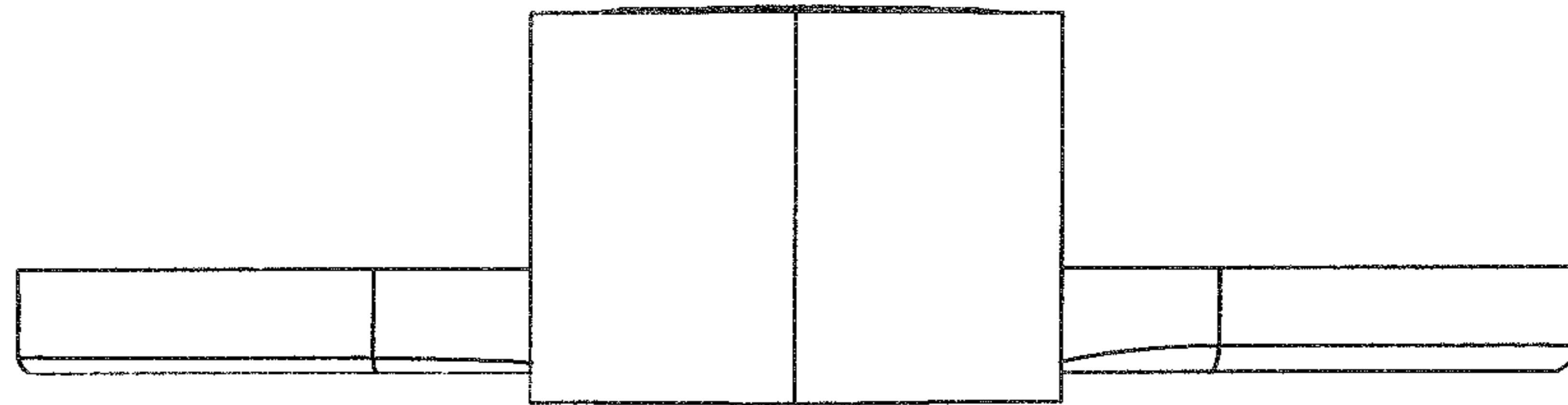


FIGURE 4

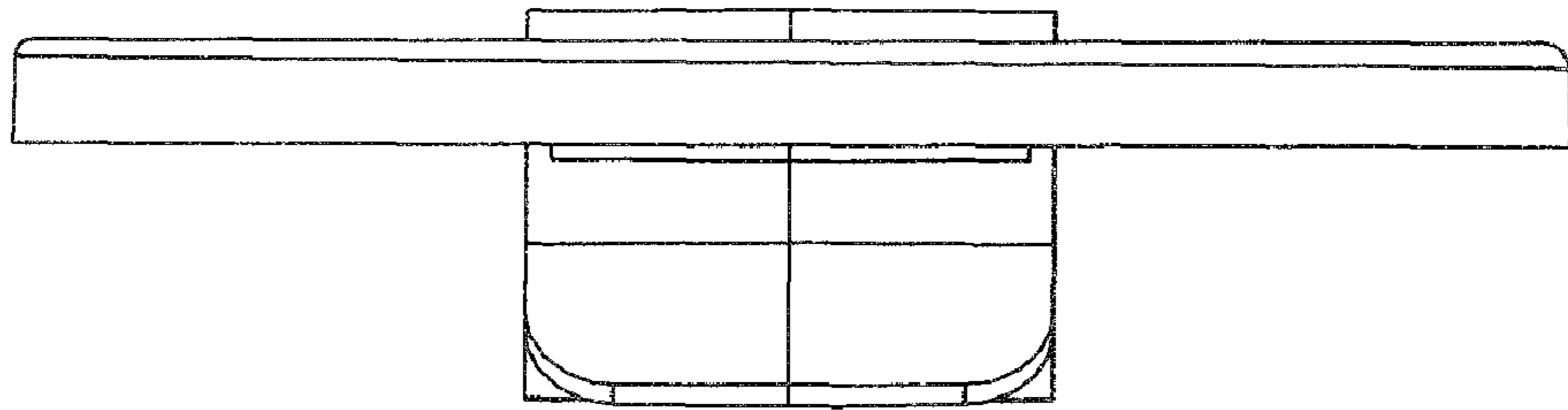


FIGURE 5

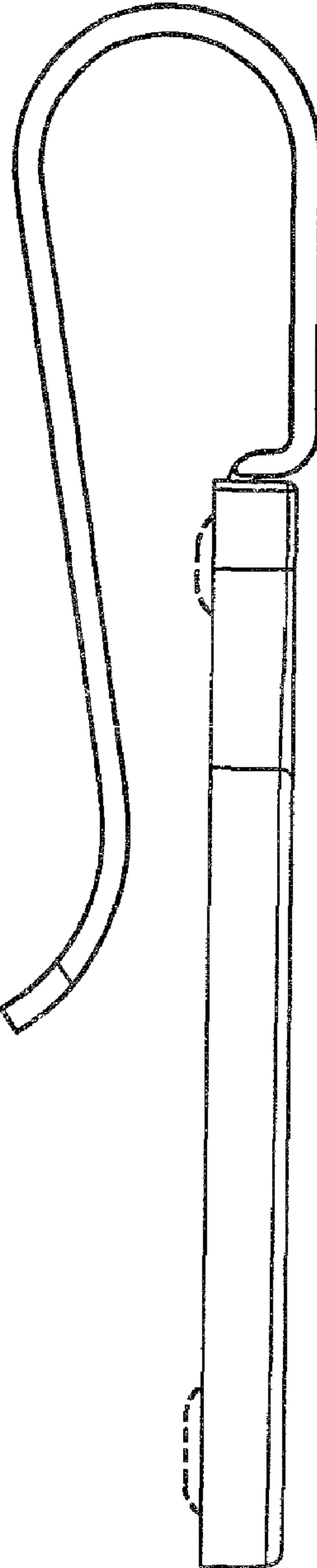


FIGURE 6

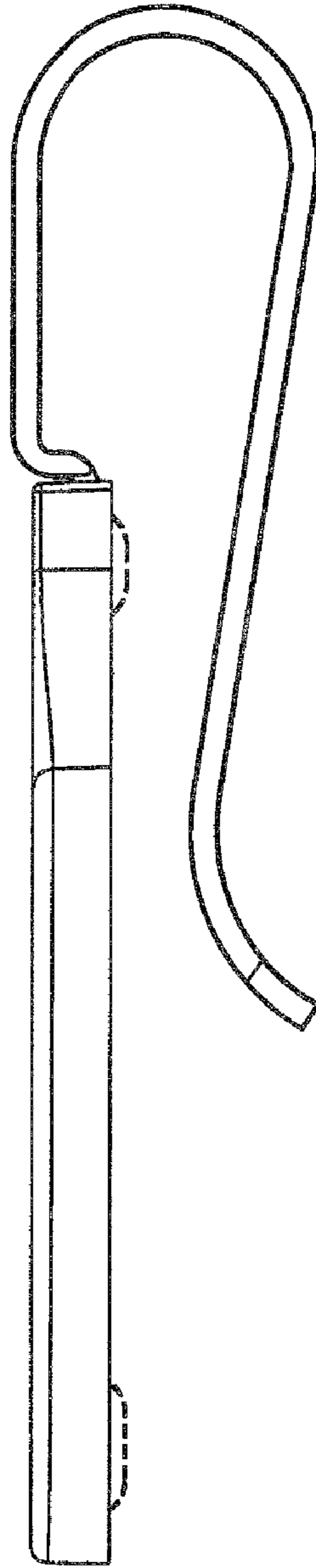


FIGURE 7