



US00D620784S

(12) **United States Design Patent**
Hikai

(10) **Patent No.:** **US D620,784 S**

(45) **Date of Patent:** **** *Aug. 3, 2010**

(54) **METAL FITTING**

(75) Inventor: **Satoshi Hikai**, Nagoya (JP)

(73) Assignee: **Nichiha Corporation**, Nagoya-shi (JP)

(*) Notice: This patent is subject to a terminal disclaimer.

(**) Term: **14 Years**

(21) Appl. No.: **29/332,341**

(22) Filed: **Feb. 13, 2009**

(30) **Foreign Application Priority Data**

Aug. 25, 2008 (JP) 2008-021762

(51) **LOC (9) Cl.** **08-08**

(52) **U.S. Cl.** **D8/382**

(58) **Field of Classification Search** D8/382,
D8/349, 354; 52/235; 248/300, 220.22,
248/301, 304; 403/381, 14

See application file for complete search history.

(56) **References Cited**

U.S. PATENT DOCUMENTS

4,570,404	A *	2/1986	Knudson	52/520
6,315,489	B1 *	11/2001	Watanabe	403/381
6,402,419	B1 *	6/2002	Watanabe	403/381
D472,792	S *	4/2003	Callahan et al.	D8/349
6,830,405	B2 *	12/2004	Watanabe	403/14
6,843,032	B2 *	1/2005	Hikai	52/287.1
D536,240	S *	2/2007	Vejmarker	D8/354
D562,120	S *	2/2008	Henderson	D8/382
D591,585	S *	5/2009	Hikai	D8/382

2001/0045075	A1 *	11/2001	Watanabe	52/712
2002/0046536	A1 *	4/2002	Hotta	52/698
2005/0102944	A1 *	5/2005	Hikai	52/511

FOREIGN PATENT DOCUMENTS

JP	2005-133504	A	5/2005
JP	2006-265864	A	10/2006

* cited by examiner

Primary Examiner—Holly H Baynham

Assistant Examiner—Sheryl Lane

(74) *Attorney, Agent, or Firm*—Birch, Stewart, Kolasch & Birch, LLP

(57) **CLAIM**

The ornamental design for a metal fitting, as shown and described.

DESCRIPTION

FIG. 1 is a front view of a metal fitting showing my new design;

FIG. 2 is a back view thereof;

FIG. 3 is a top view thereof;

FIG. 4 is a bottom view thereof;

FIG. 5 is a right side view thereof;

FIG. 6 is a left side view thereto;

FIG. 7 is a front, right perspective view thereof; and,

FIG. 8 is a reference view showing an example of the metal fitting that is in use on a wall.

The broken lines illustrated in drawings form no part of the claimed design.

1 Claim, 8 Drawing Sheets

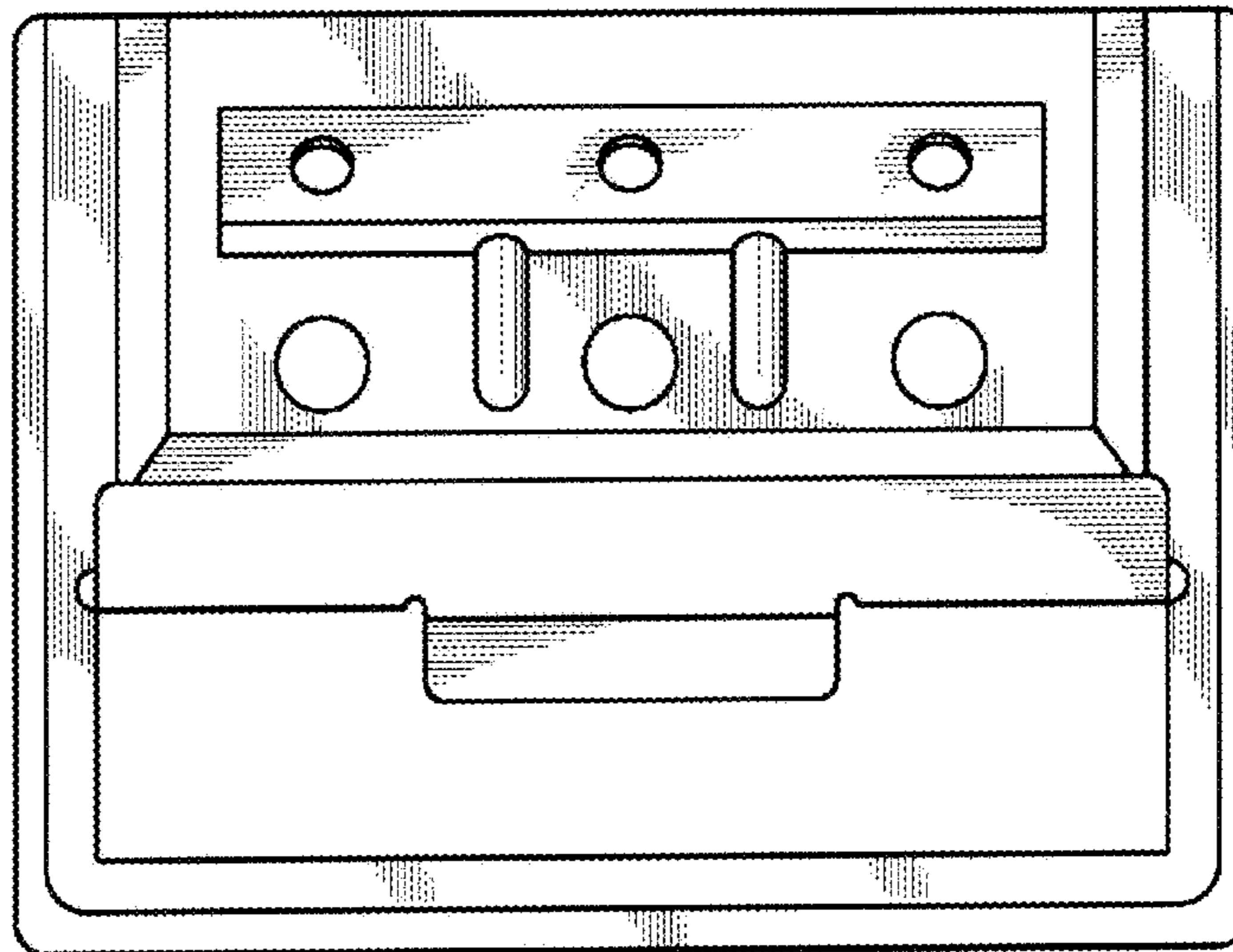


Fig. 1

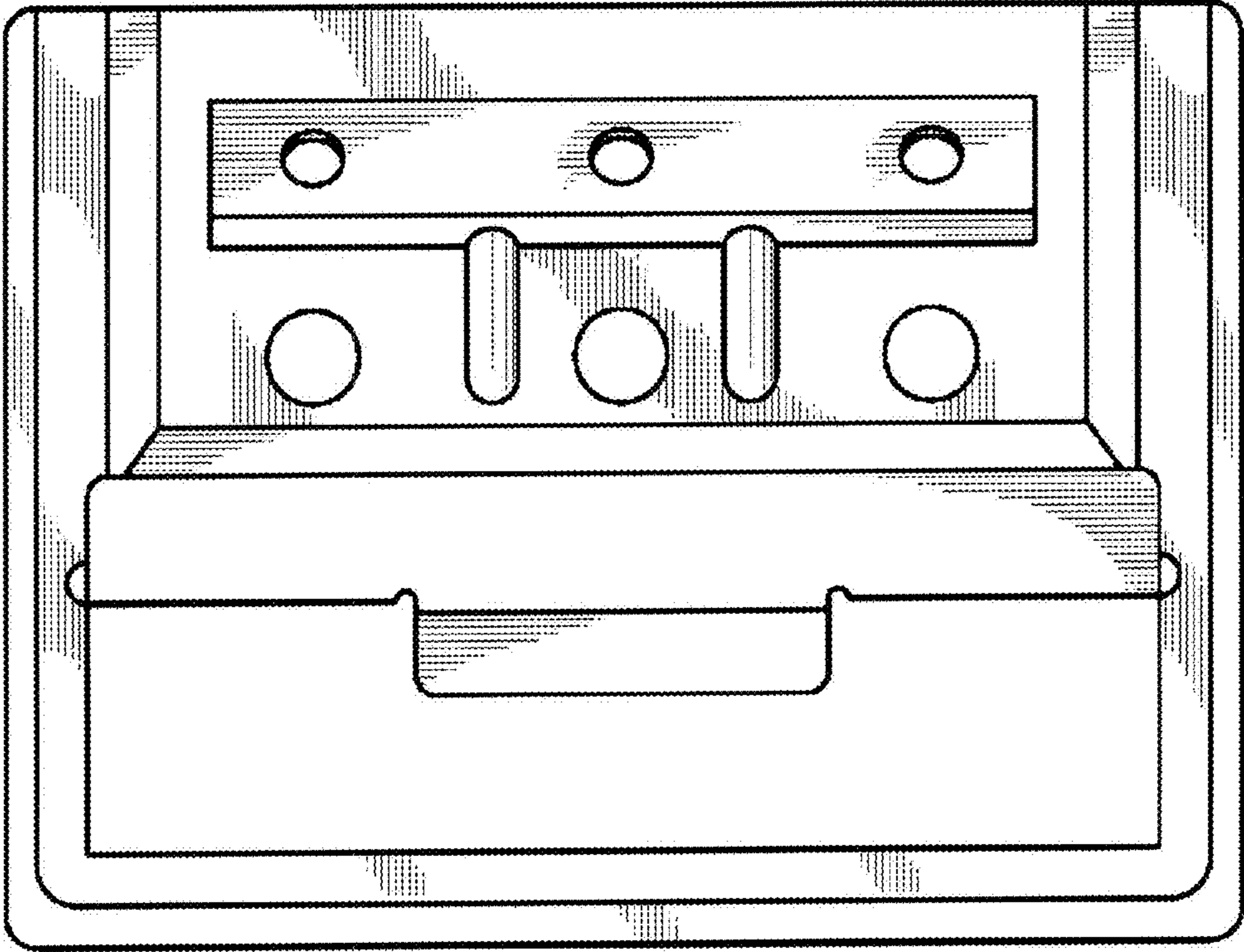


Fig.2

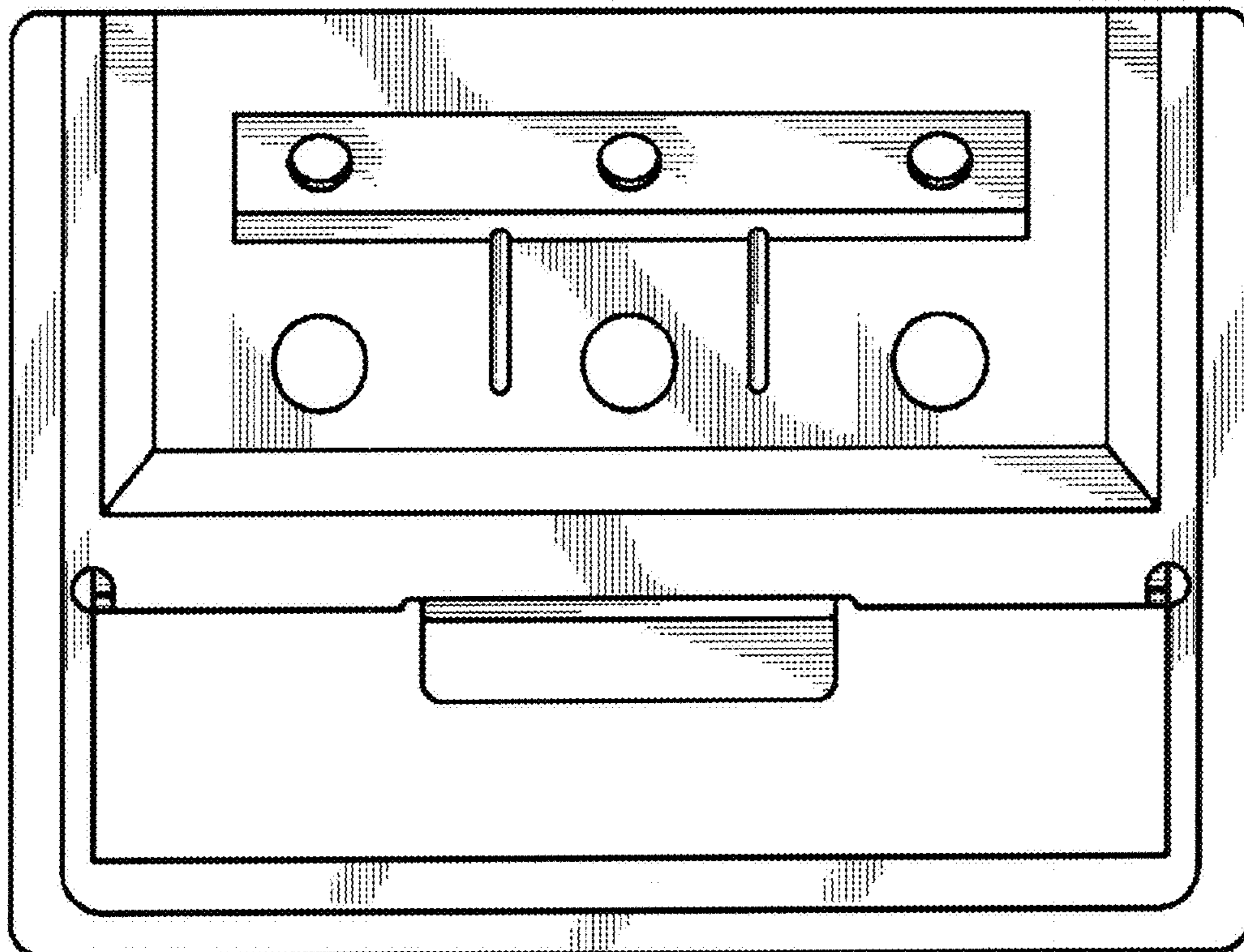


Fig.3

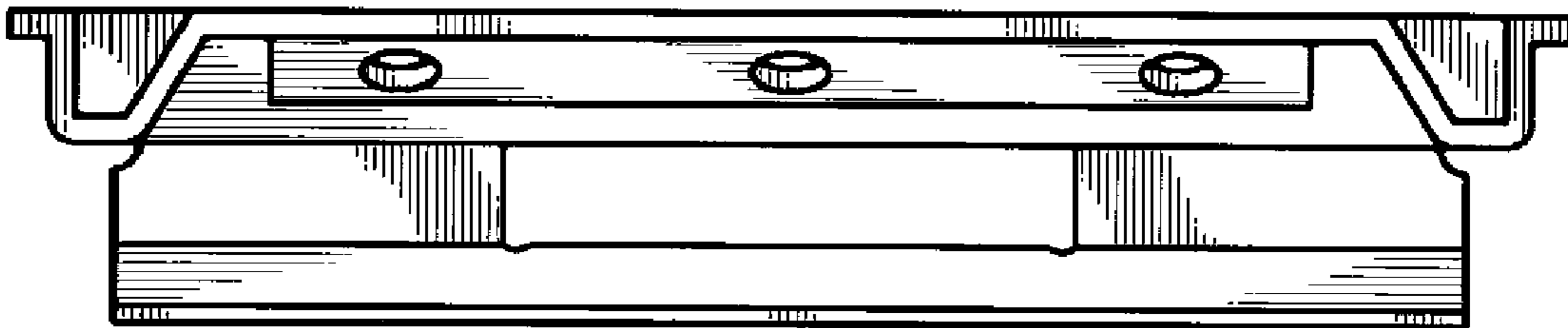


Fig.4

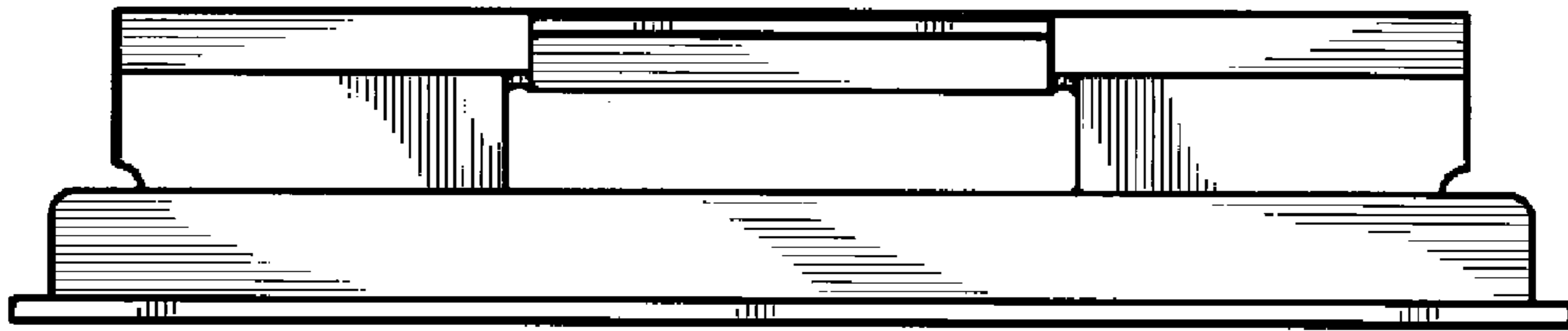


Fig. 5

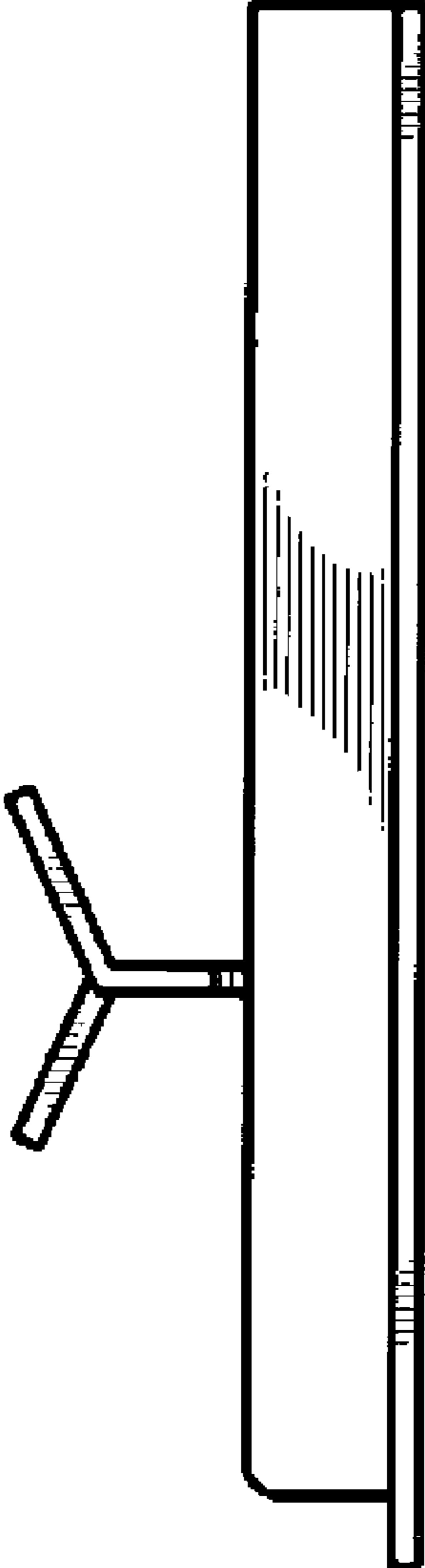


Fig. 6

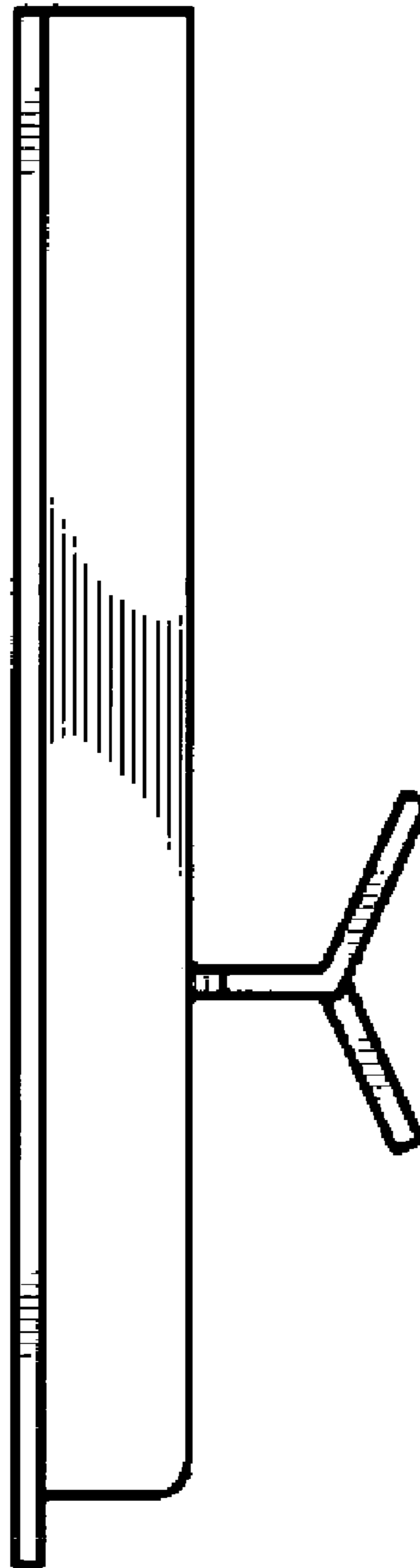


Fig. 7

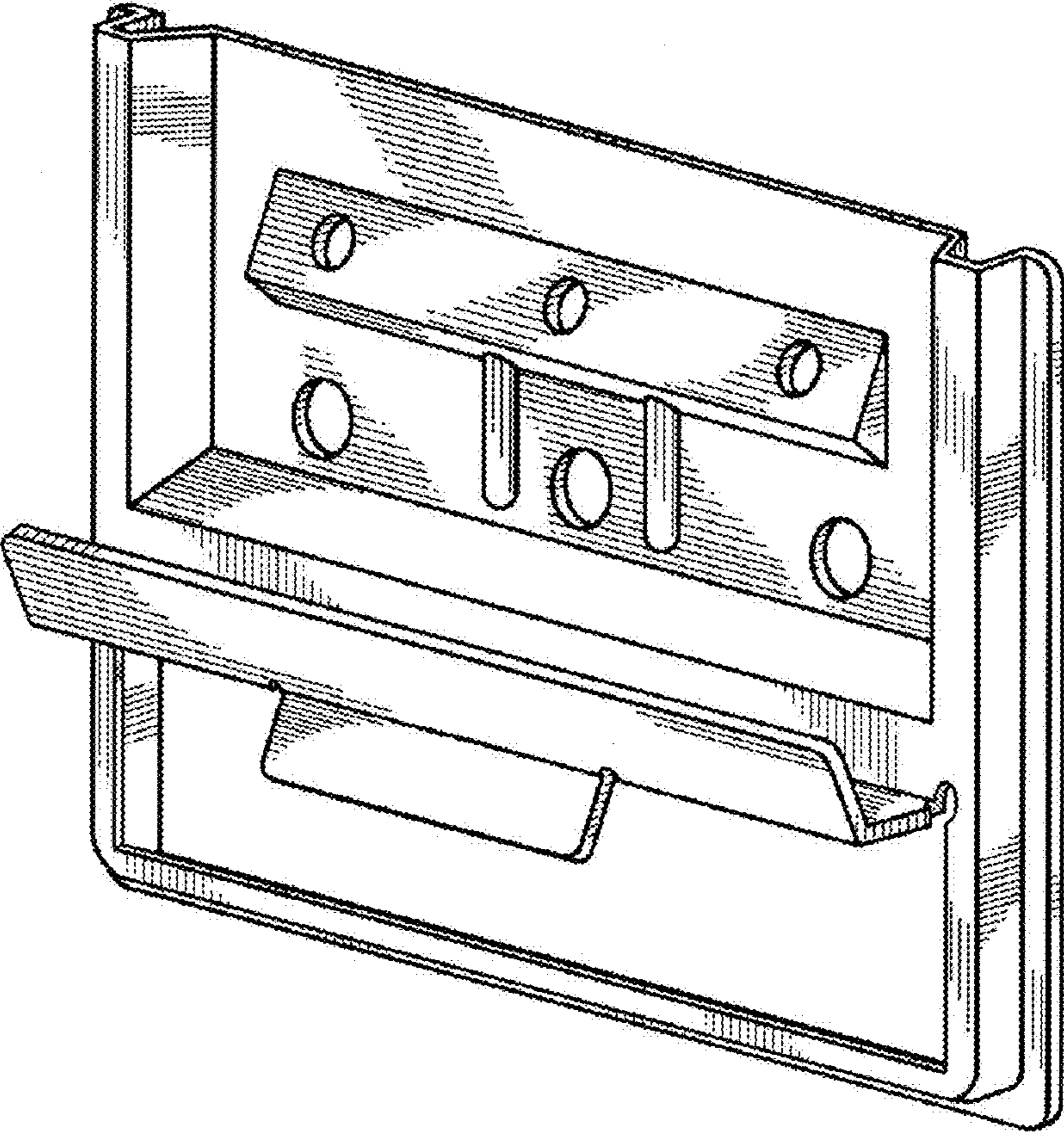


Fig.8

