



US00D620783S

(12) **United States Design Patent**
Ziaylek

(10) **Patent No.:** **US D620,783 S**

(45) **Date of Patent:** **** Aug. 3, 2010**

(54) **EXTERNALLY ACTIVATED MOUNTING BRACKET**

(76) Inventor: **Michael P. Ziaylek**, 15 Cold Spring Ave., Yardley, PA (US) 19067

(**) Term: **14 Years**

(21) Appl. No.: **29/313,618**

(22) Filed: **Jan. 27, 2009**

(51) **LOC (9) Cl.** **08-05**

(52) **U.S. Cl.** **D8/373**

(58) **Field of Classification Search** D8/354,
D8/373; 248/309.1, 300, 307, 313, 316.1
See application file for complete search history.

4,304,383 A *	12/1981	Huston	248/313
D264,935 S	6/1982	Ziaylek, Jr.		
D265,287 S	7/1982	Ziaylek, Jr.		
D267,227 S	12/1982	Ziaylek, Jr.		
4,379,541 A	4/1983	Harkness		
4,505,448 A	3/1985	Massie		
4,586,687 A	5/1986	Ziaylek, Jr.		
4,606,521 A	8/1986	Williams		
4,624,432 A	11/1986	Salacuse		
D298,704 S	11/1988	Ziaylek, Jr.		
4,848,714 A	7/1989	Ziaylek, Jr. et al.		
D303,738 S	10/1989	Ziaylek		
4,905,950 A	3/1990	Turner et al.		
4,979,659 A	12/1990	Boyd		
D314,325 S	2/1991	Ziaylek, Jr. et al.		
4,997,157 A	3/1991	Sweeny		

(56) **References Cited**

U.S. PATENT DOCUMENTS

D44,015 S *	5/1913	MacGregor	D8/373
1,286,998 A	12/1918	Graaff		
2,029,051 A	1/1936	Blevins		
2,109,821 A	3/1938	Dunica		
2,278,232 A	3/1942	Anderson		
2,289,701 A	7/1942	Engel et al.		
2,431,698 A	12/1947	Lombard		
2,615,238 A	10/1952	Highwood		
3,224,644 A	12/1965	Davis		
3,490,727 A	1/1970	Miller		
3,547,391 A	12/1970	Johnson		
3,565,384 A *	2/1971	Lockwood	248/312
3,603,550 A	9/1971	Byrd		
D222,527 S *	11/1971	Ziaylek, Jr.	D8/373
3,667,714 A	6/1972	Ziayler, Jr.		
3,737,133 A	6/1973	Boecker		
3,765,635 A	10/1973	Burrell et al.		
3,765,636 A	10/1973	Burrell et al.		
3,780,972 A *	12/1973	Brodersen	248/313
3,823,907 A	7/1974	Ziayler, Jr.		
D237,357 S *	10/1975	Ziaylek, Jr.	D8/373
3,971,591 A	7/1976	Ziaylek		
D244,392 S *	5/1977	Montambo	D29/126
4,023,761 A	5/1977	Molis		
D245,929 S	9/1977	Montambo		
4,213,592 A *	7/1980	Lingenfelser	248/313

(Continued)

Primary Examiner—Sandra Snapp
Assistant Examiner—Patricia Palasik
(74) *Attorney, Agent, or Firm*—Sperry, Zoda & Kane

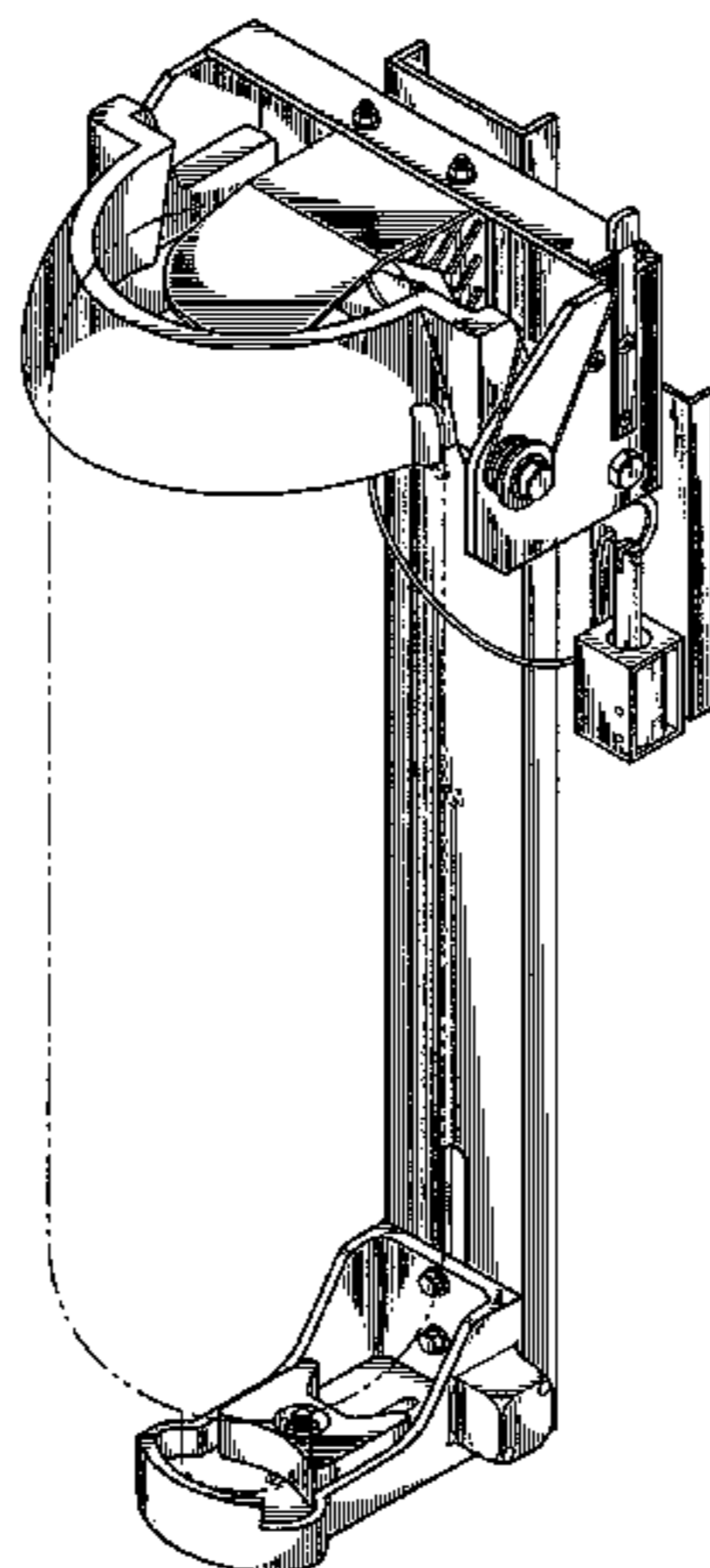
(57) **CLAIM**

The ornamental design for an externally activated mounting bracket, as shown and described.

DESCRIPTION

FIG. 1 is a front three-quarter perspective view embodying my new design;
FIG. 2 is a front plan view;
FIG. 3 is a side plan view taken from the right;
FIG. 4 is a rear plan view;
FIG. 5 is a side plan view taken from the left; and,
FIG. 6 is a top plan view.
The broken lines in the drawings depict unclaimed environmental subject matter.

1 Claim, 4 Drawing Sheets



US D620,783 S

Page 2

U.S. PATENT DOCUMENTS

D319,778 S	9/1991	Ziaylek, Jr.		6,113,004 A	9/2000	Steingass et al.
D331,030 S	11/1992	Ziaylek et al.		D434,495 S	11/2000	Whalen et al.
5,213,392 A	5/1993	Bostrom et al.		6,168,130 B1	1/2001	Yokogi
5,314,233 A	5/1994	Bostrom et al.		6,220,557 B1	4/2001	Ziaylek et al.
D347,735 S *	6/1994	Ziaylek et al.	D3/316	6,543,736 B2	4/2003	Field
5,318,266 A	6/1994	Liu		6,601,923 B2	8/2003	Pond et al.
5,354,029 A	10/1994	Ziaylek, Jr. et al.		D480,294 S *	10/2003	Ziaylek et al. D8/373
D352,612 S	11/1994	Pond et al.		6,655,745 B2	12/2003	Fohrenkamm et al.
5,362,022 A	11/1994	McLoughlin et al.		6,702,242 B1	3/2004	Ziaylek, Jr. et al.
5,423,508 A	6/1995	Isenga et al.		D494,049 S	8/2004	Ziaylek et al.
5,607,133 A	3/1997	Markham et al.		D494,453 S	8/2004	Ziaylek et al.
5,681,080 A	10/1997	Pond et al.		6,769,659 B1	8/2004	Martello
D390,367 S	2/1998	Demski et al.		6,830,226 B2	12/2004	Field et al.
D394,381 S *	5/1998	Ziaylek et al.	D8/354	6,883,766 B1	4/2005	Ziaylek et al.
5,803,544 A	9/1998	Block et al.		6,926,243 B1	8/2005	Ziaylek et al.
5,810,089 A	9/1998	Mack		7,028,962 B1	4/2006	Hostetler
5,833,195 A	11/1998	Haynes		D545,003 S	6/2007	Heerdt et al.
5,906,302 A	5/1999	Spergel		D558,566 S *	1/2008	Ziaylek D8/373
5,934,749 A	8/1999	Pond et al.		D562,116 S *	2/2008	Ziaylek et al. D8/373
5,975,475 A	11/1999	Chaplin		7,448,586 B2 *	11/2008	Ziaylek et al. 248/311.3
D419,317 S	1/2000	Pond et al.		2002/0063193 A1 *	5/2002	Field 248/313
D424,414 S	5/2000	Ziaylek et al.		2003/0038525 A1	2/2003	Pond et al.
6,086,312 A	7/2000	Ziaylek et al.		2003/0106977 A1 *	6/2003	Alberts 248/313
				2007/0187414 A1	8/2007	Lackore

* cited by examiner

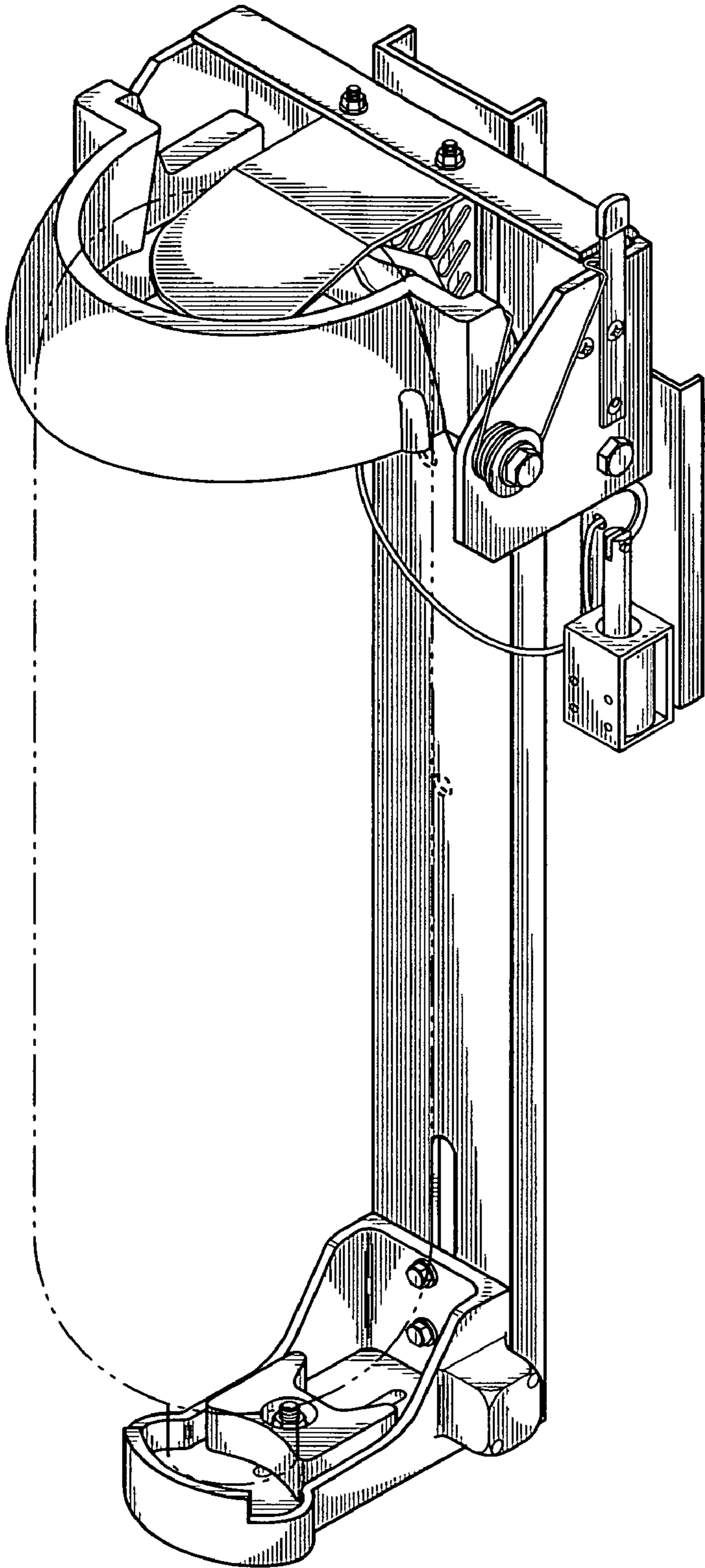


FIG. 1

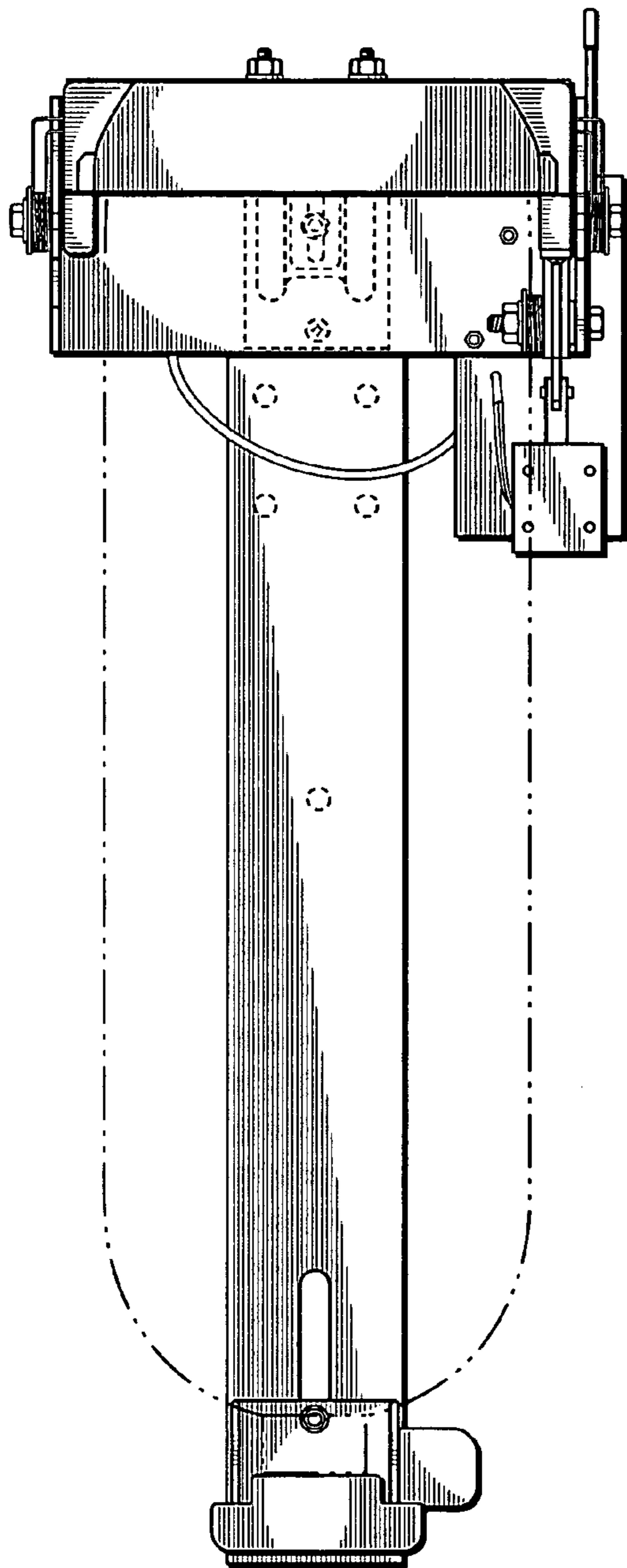


FIG. 2

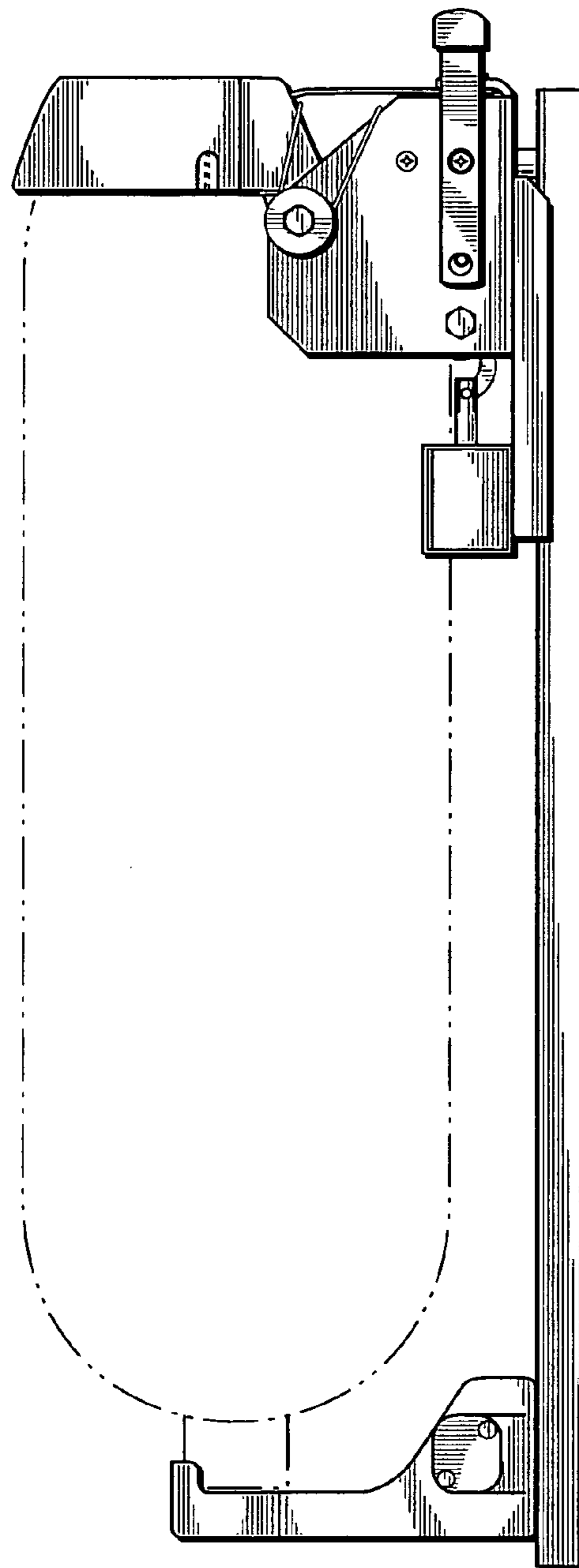


FIG. 3

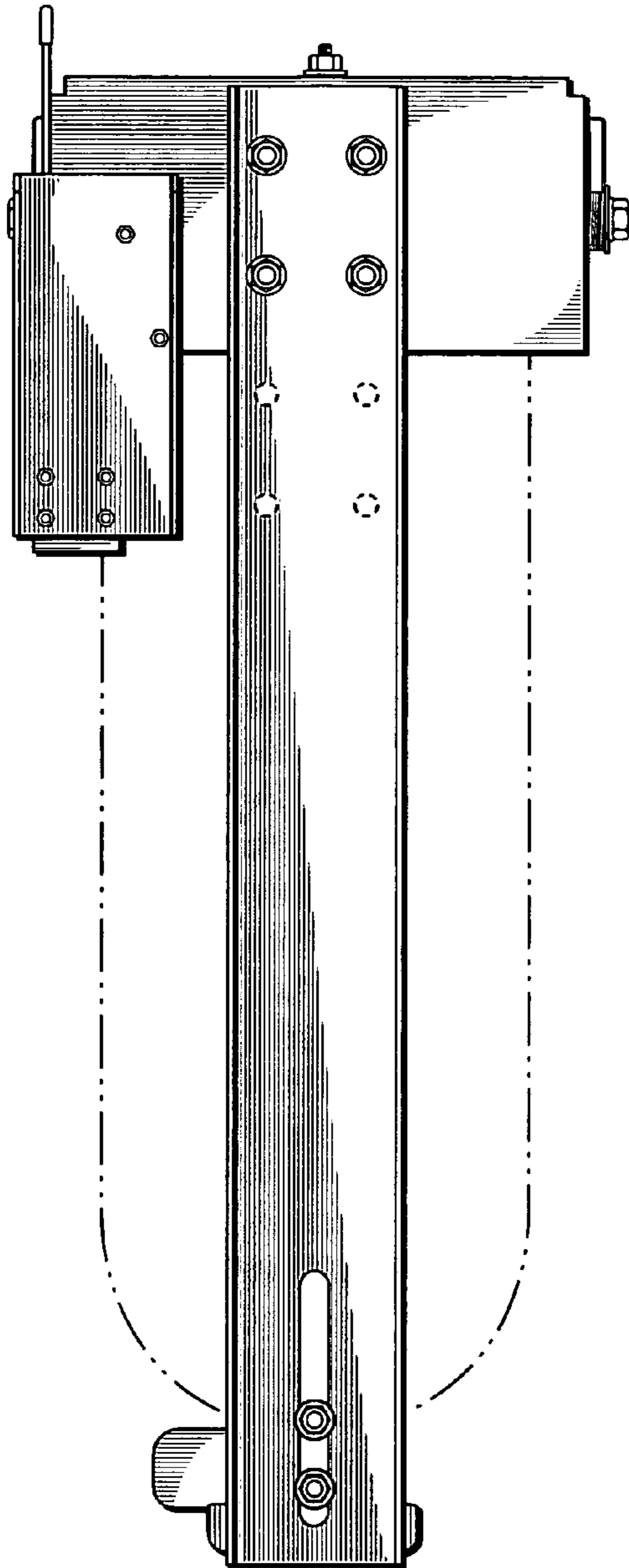


FIG. 4

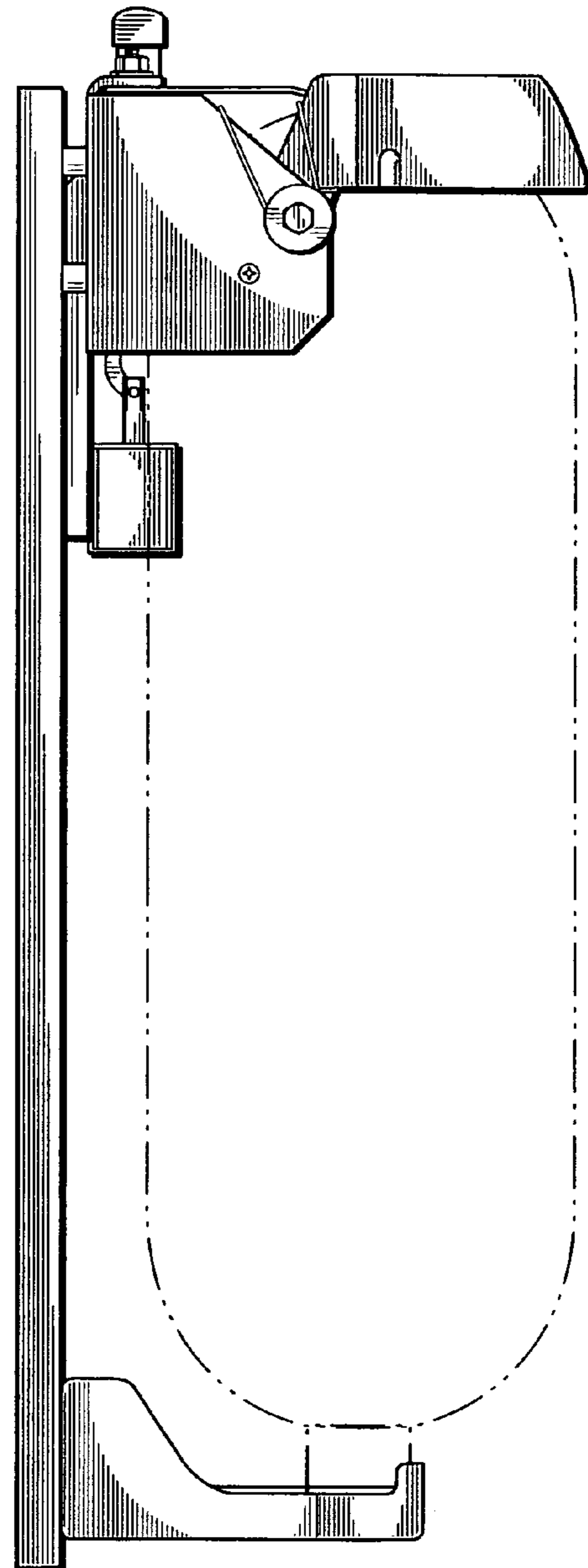


FIG. 5

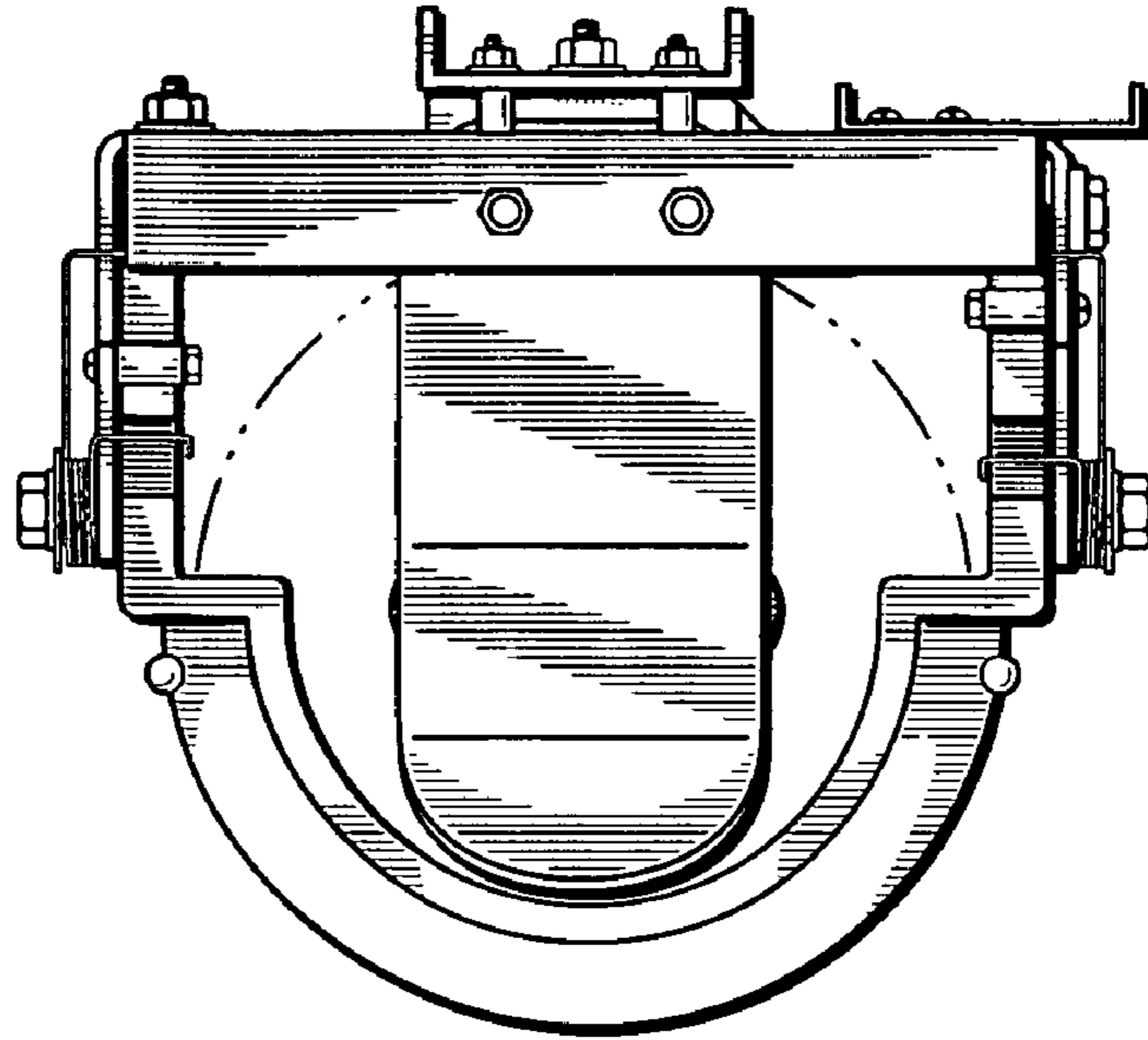


FIG. 6

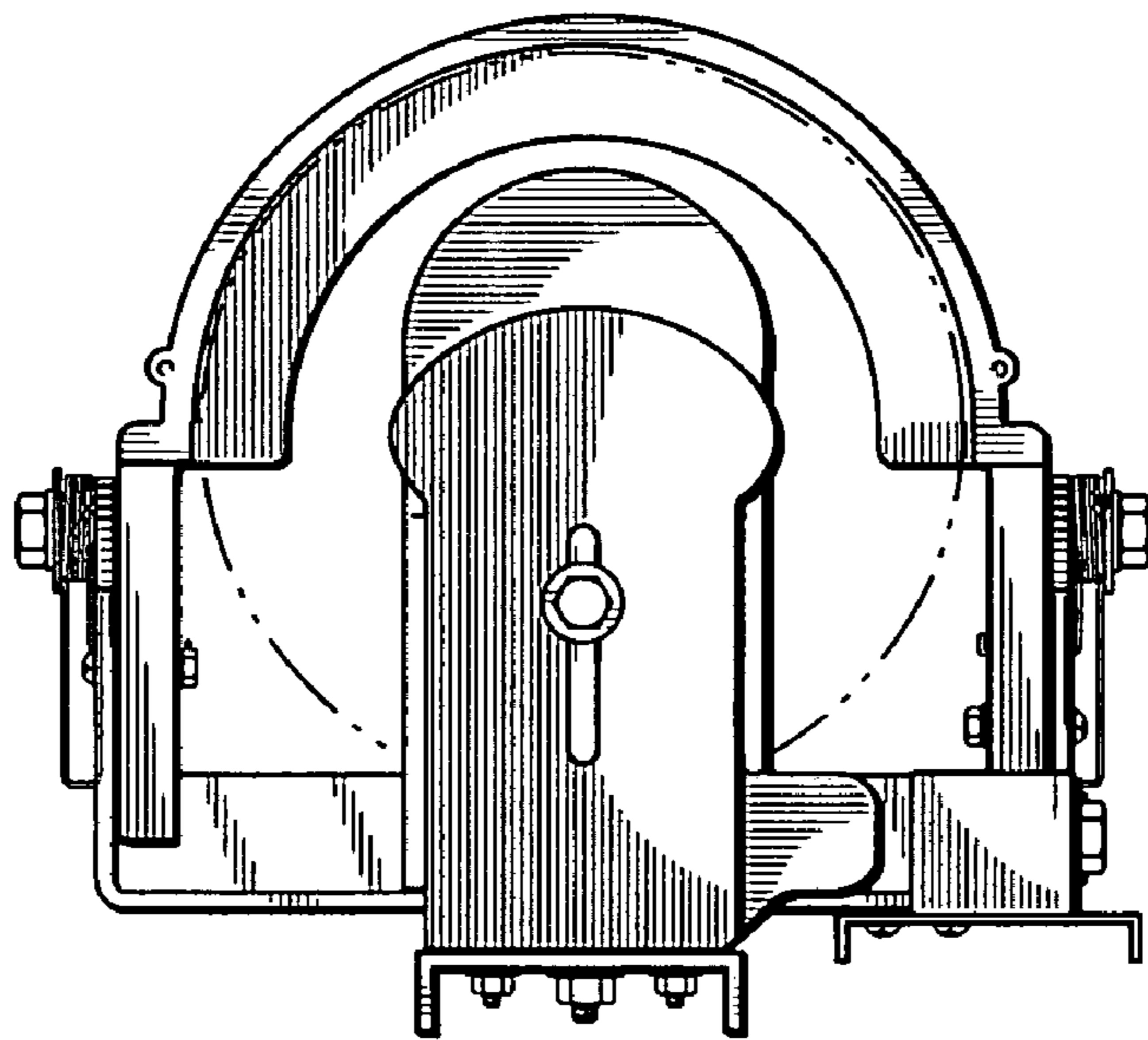


FIG. 7