



US00D620782S

(12) **United States Design Patent**
Wurdack

(10) **Patent No.:** **US D620,782 S**

(45) **Date of Patent:** **** Aug. 3, 2010**

(54) **MODULAR FURNITURE AND PANEL LIFTER**

(76) **Inventor:** **Roy A. Wurdack**, 8506 Snow Hill Rd., Ooltewah, TN (US) 37363

(**) **Term:** **14 Years**

(21) **Appl. No.:** **29/327,304**

(22) **Filed:** **Nov. 4, 2008**

(51) **LOC (9) Cl.** **08-05**

(52) **U.S. Cl.** **D8/363**

(58) **Field of Classification Search** D6/332,
D6/457, 458, 462, 466, 467, 487, 499; D8/353,
D8/354, 373, 374, 381, 388; D25/121, 126,
D25/127; 52/36.5, 36.6, 40, 831; 108/54.1,
108/145, 146, 147.15, 157.18; 248/158,
248/188.1, 200.1, 296, 297, 300, 346.01,
248/424, 529, 910; 254/100, 102, 133 R,
254/134

See application file for complete search history.

(56) **References Cited**

U.S. PATENT DOCUMENTS

D342,015 S *	12/1993	Andrejew	D8/373
5,481,846 A *	1/1996	Macchietto	52/831
D378,706 S *	4/1997	Valentine et al.	D30/133
D378,745 S *	4/1997	Hollis	D10/109
5,855,360 A *	1/1999	Wurdack	254/100
D416,471 S	11/1999	Wurdack	
D433,615 S *	11/2000	Neider et al.	D8/354
D435,435 S *	12/2000	Shea	D8/363
D482,912 S *	12/2003	Curotto, Jr.	D6/495
D509,455 S *	9/2005	Nordahl	D10/106
D522,184 S *	5/2006	Tippetts	D30/121

D596,017 S *	7/2009	Sato	D8/380
D598,573 S *	8/2009	Clarke	D25/121
2002/0046525 A1 *	4/2002	Rice	52/481.1
2002/0194803 A1 *	12/2002	Mitchell	52/297
2006/0163438 A1 *	7/2006	Wojotowicz et al.	248/300
2008/0116333 A1 *	5/2008	Chang	248/200.1
2008/0191183 A1 *	8/2008	Rucks	254/424

* cited by examiner

Primary Examiner—Sandra Snapp

Assistant Examiner—Patricia Palasik

(74) *Attorney, Agent, or Firm*—Grace J. Fishel

(57) **CLAIM**

The ornamental design for a modular furniture and panel lifter, as shown and described.

DESCRIPTION

FIG. 1 is a perspective view of a modular furniture and panel lifter showing my new design in use with a one-hook fitting;

FIG. 2 is front elevational view thereof;

FIG. 3 is a left side elevational view thereof, the right side being a mirror image;

FIG. 4 is a rear elevational view thereof;

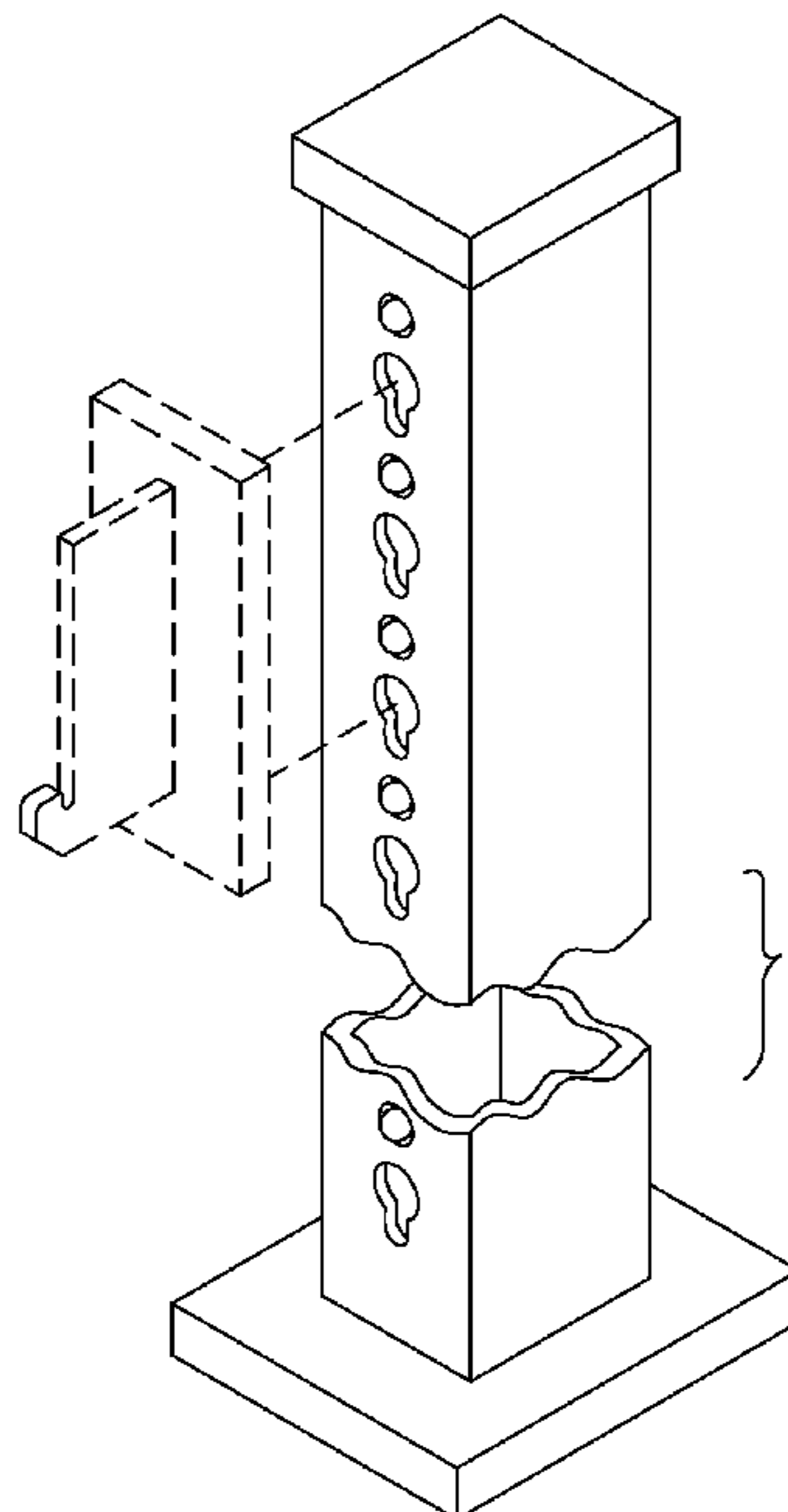
FIG. 5 is a top plan view thereof; and,

FIG. 6 is a bottom plan view thereof.

In FIG. 1–4 the modular furniture and panel lifter is shown broken away to indicate indeterminate length.

The one-hook fitting shown in broken lines in FIG. 1 and the broken lines shown in FIG. 4 denote the nature and environmental use of the design and are not part of the claimed design.

1 Claim, 3 Drawing Sheets



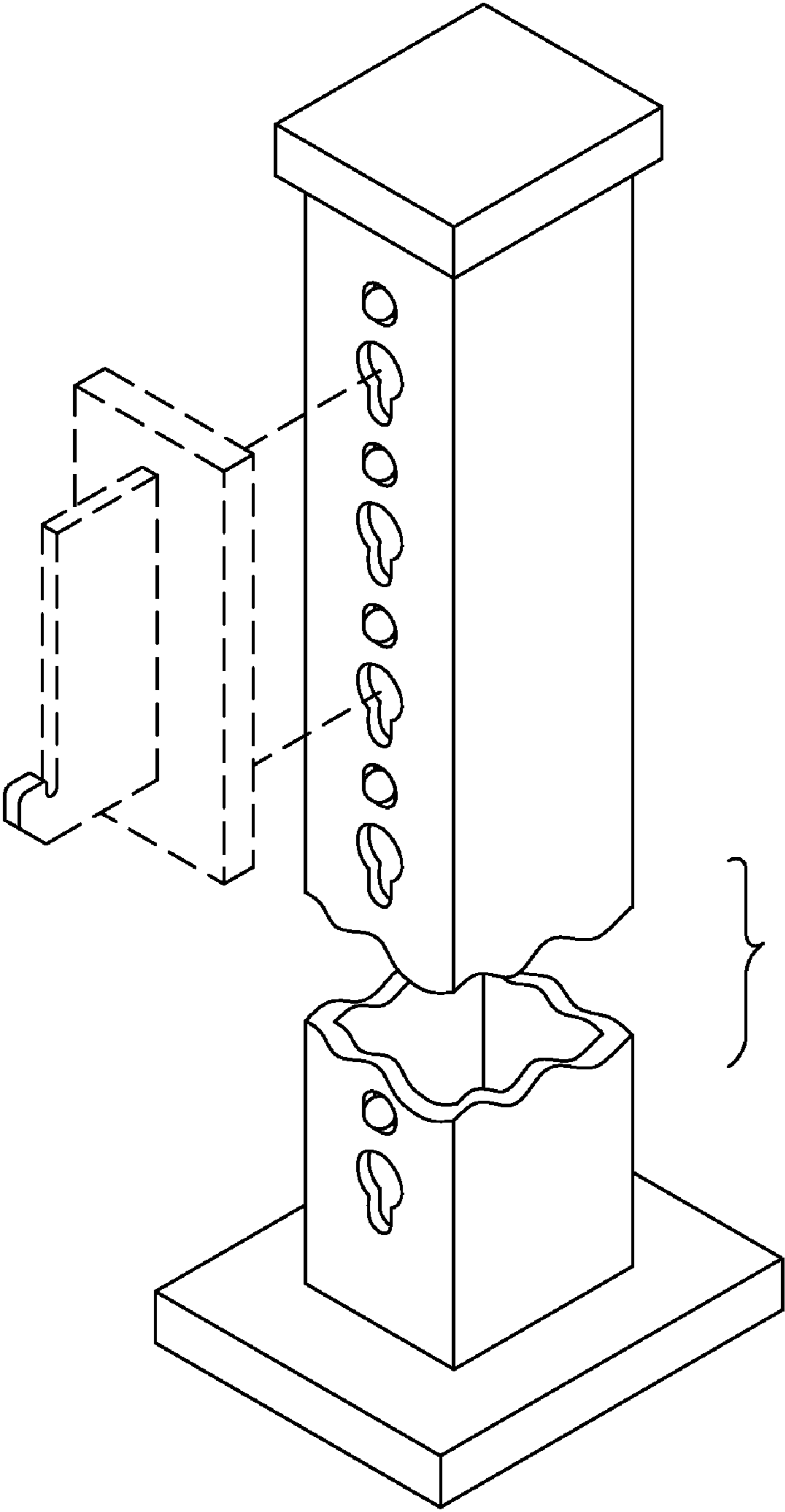


Fig. 1

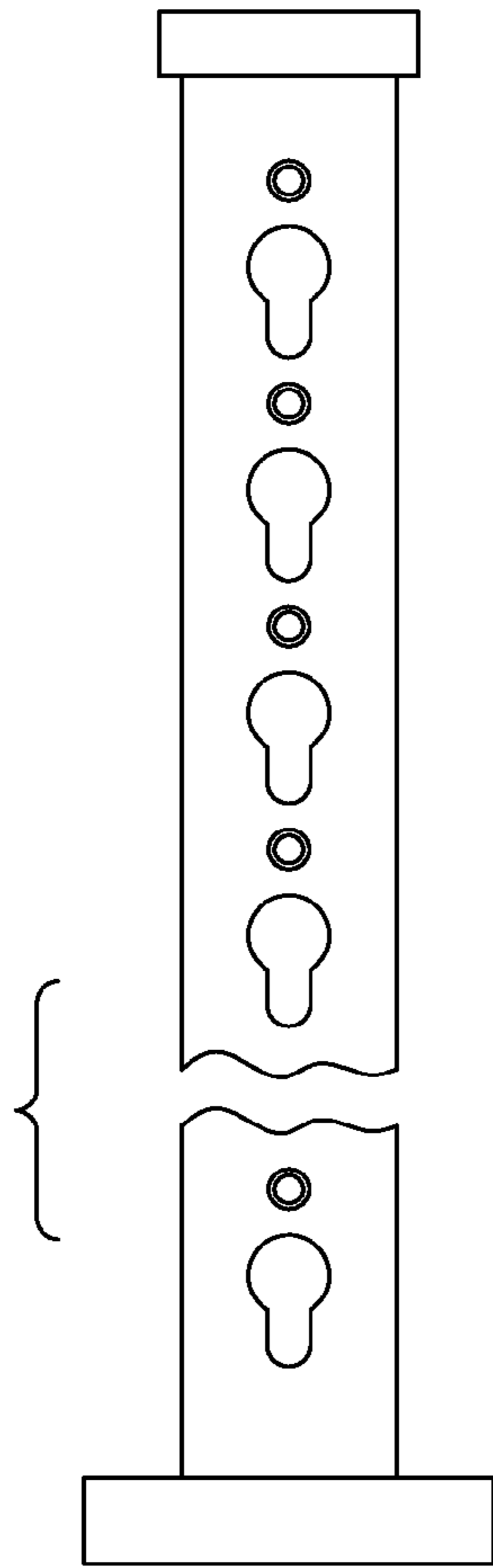


Fig. 2

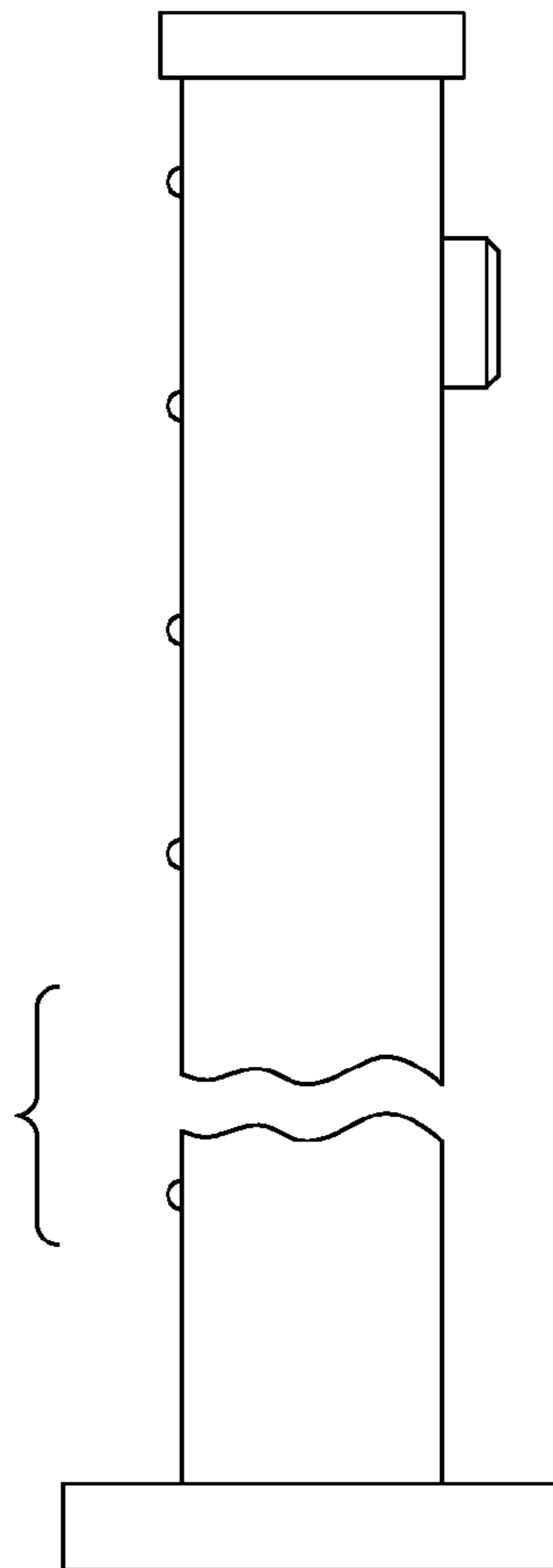


Fig. 3

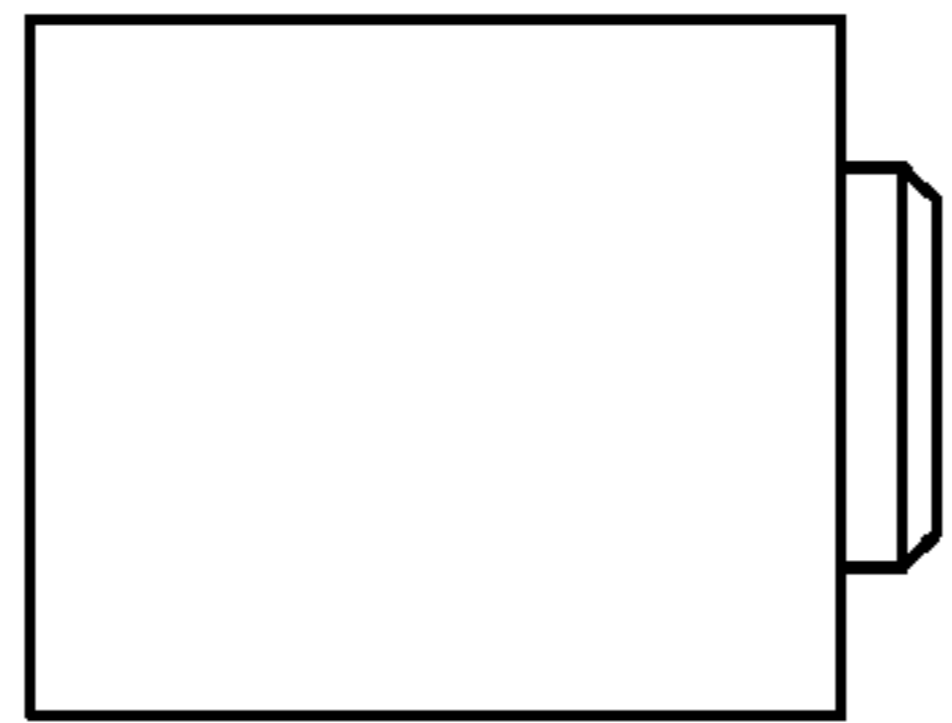


Fig. 5



Fig. 6

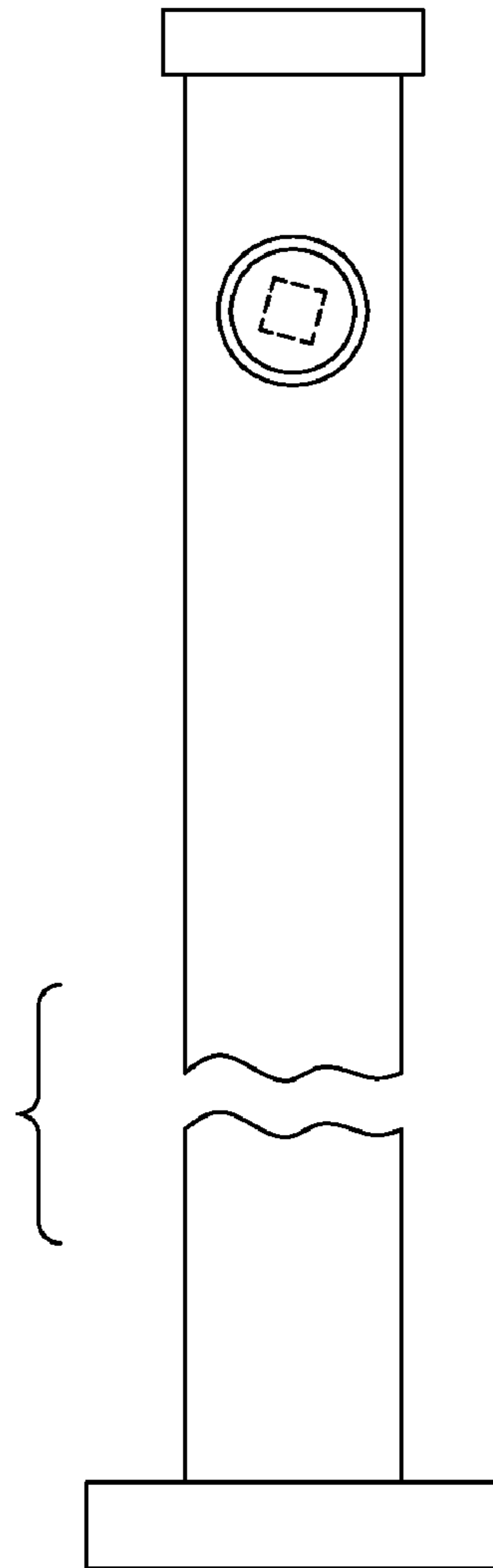


Fig. 4