



US00D620781S

(12) **United States Design Patent**  
**Weckworth**

(10) **Patent No.:** **US D620,781 S**

(45) **Date of Patent:** **\*\* Aug. 3, 2010**

(54) **EARBUD HOLDER**

(76) Inventor: **John L. Weckworth**, 45 Rose Ave., Apt  
1, Venice, CA (US) 90291

(\*\*) Term: **14 Years**

(21) Appl. No.: **29/359,656**

(22) Filed: **Apr. 14, 2010**

**Related U.S. Application Data**

(63) Continuation-in-part of application No. 29/337,707,  
filed on May 28, 2009, now abandoned.

(51) **LOC (9) Cl.** ..... **08-01**

(52) **U.S. Cl.** ..... **D8/356**

(58) **Field of Classification Search** ..... D6/512;  
D8/354, 356; D14/432, 217, 299; 248/49,  
248/51, 56, 60, 176.1

See application file for complete search history.

(56) **References Cited**

**U.S. PATENT DOCUMENTS**

5,027,478	A	*	7/1991	Suhr	.....	D8/356
6,012,940	A	*	1/2000	Wheeler	.....	D8/356
D512,905	S	*	12/2005	Byers	.....	D8/354
D549,557	S	*	8/2007	Mori et al.	.....	D8/356
D601,879	S	*	10/2009	Kim et al.	.....	D8/356

\* cited by examiner

*Primary Examiner*—Brian N Vinson

(74) *Attorney, Agent, or Firm*—Ralph D. Chabot

(57) **CLAIM**

The ornamental design for an earbud holder, as shown and described.

**DESCRIPTION**

FIG. 1 is a top, front, left side perspective view of an earbud holder showing my new design;

FIG. 2 is a top plan view thereof;

FIG. 3 is a bottom plan view thereof;

FIG. 4 is a front elevation view thereof;

FIG. 5 is a rear elevation view thereof;

FIG. 6 is a right side elevation view thereof;

FIG. 7 is a left side elevation view thereof;

FIG. 8 is a bottom front left side perspective view thereof illustrating a device disposed upon in broken line;

FIG. 9 is a top front left side perspective view thereof illustrating earbuds and wire in broken line; and,

FIG. 10 is a bottom left side perspective view thereof illustrating earbuds and wire in broken line.

The broken line portion of the figure drawings is included to show unclaimed subject matter only and forms no part of the claimed design.

**1 Claim, 3 Drawing Sheets**

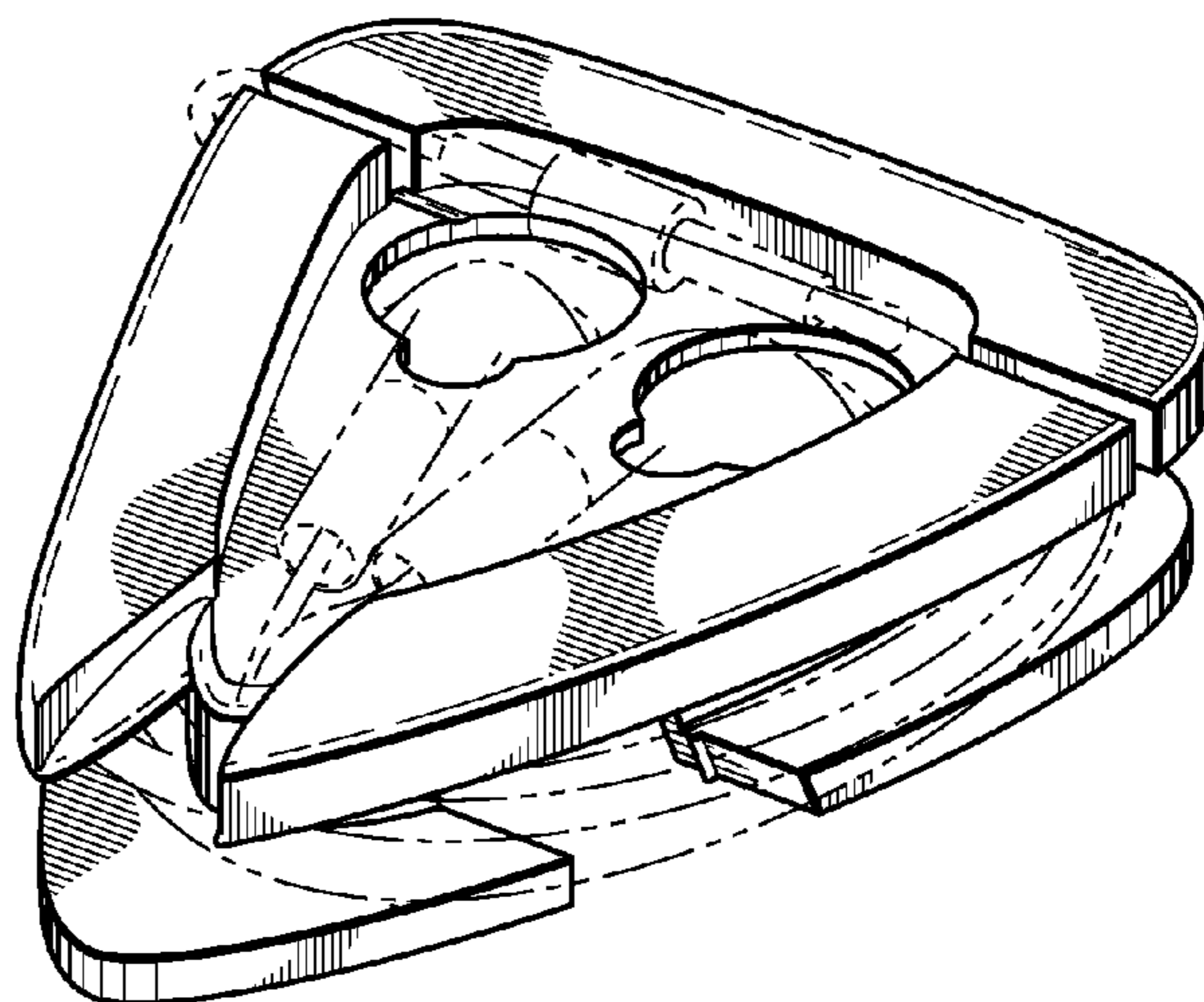
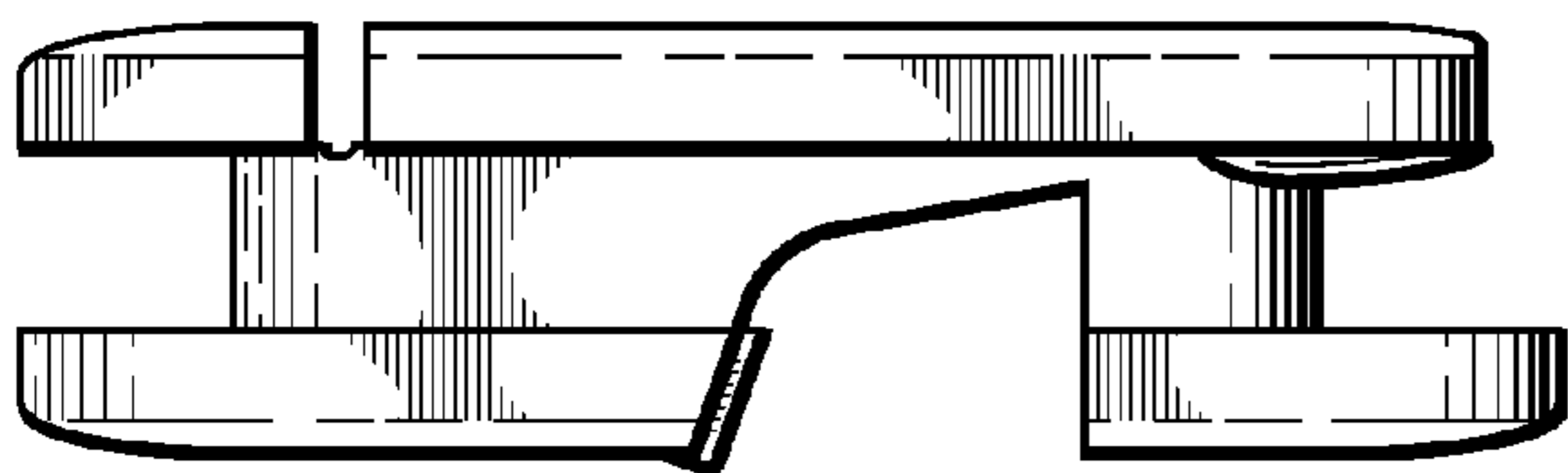


FIG. 1

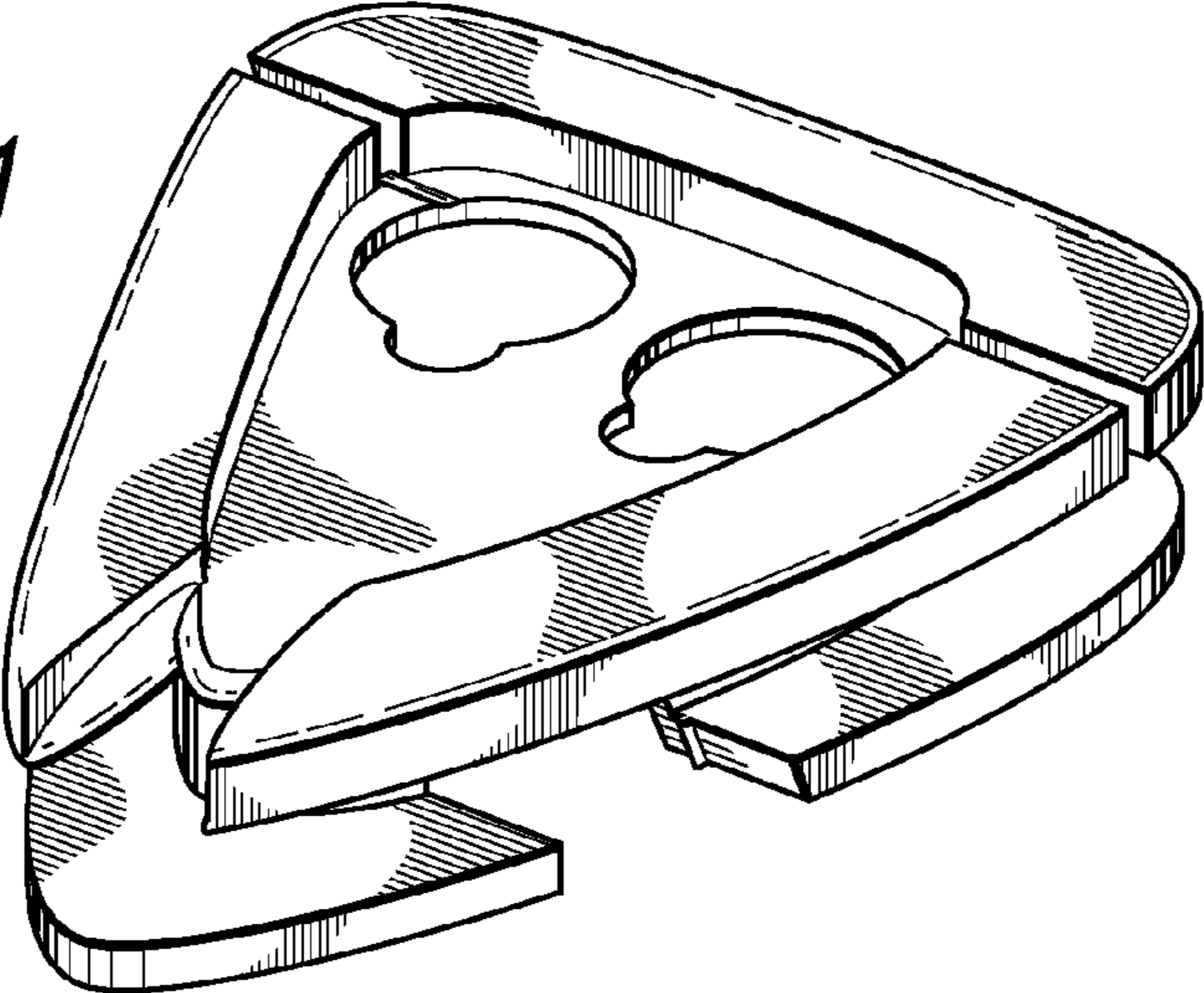


FIG. 2

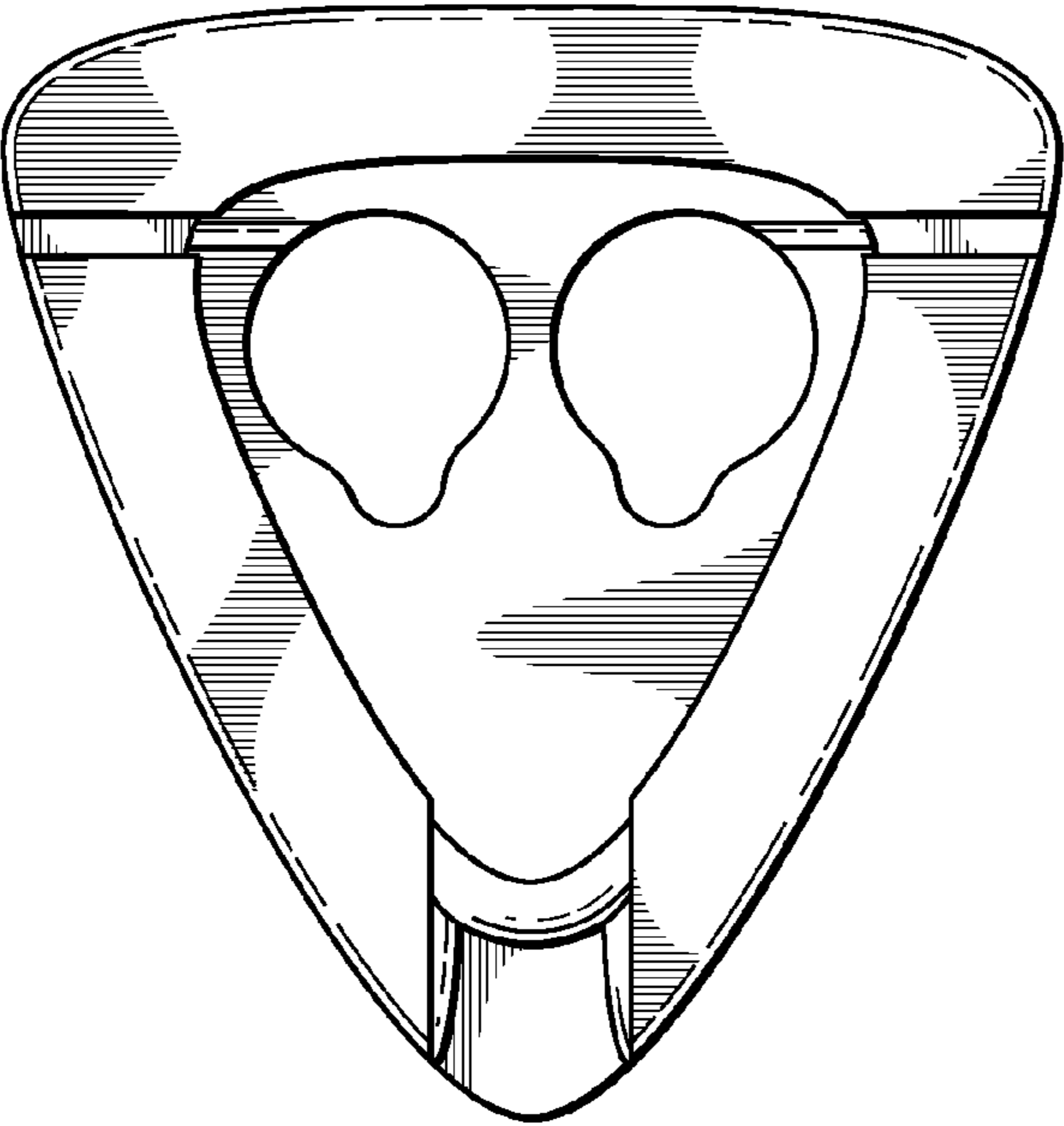
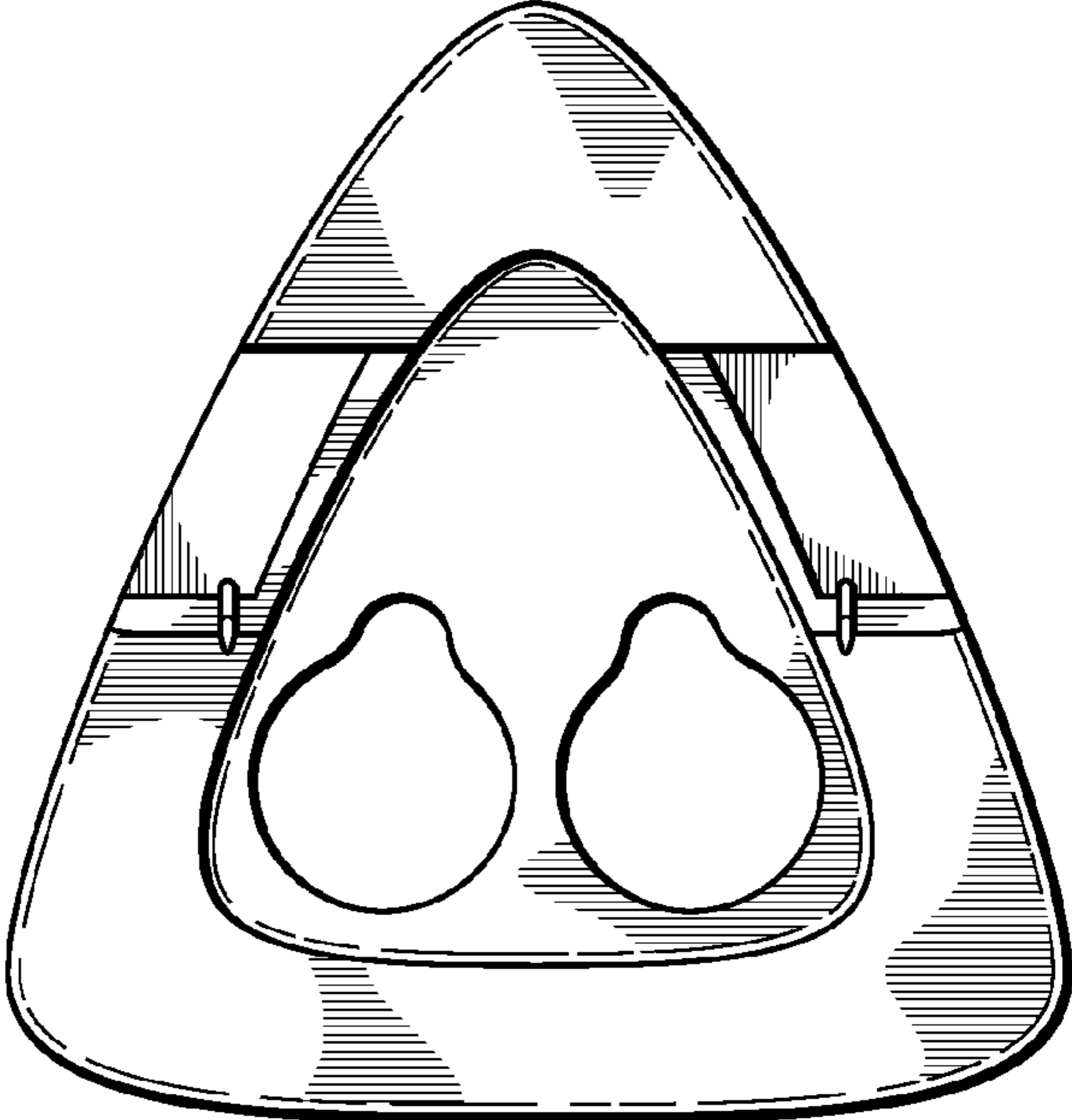
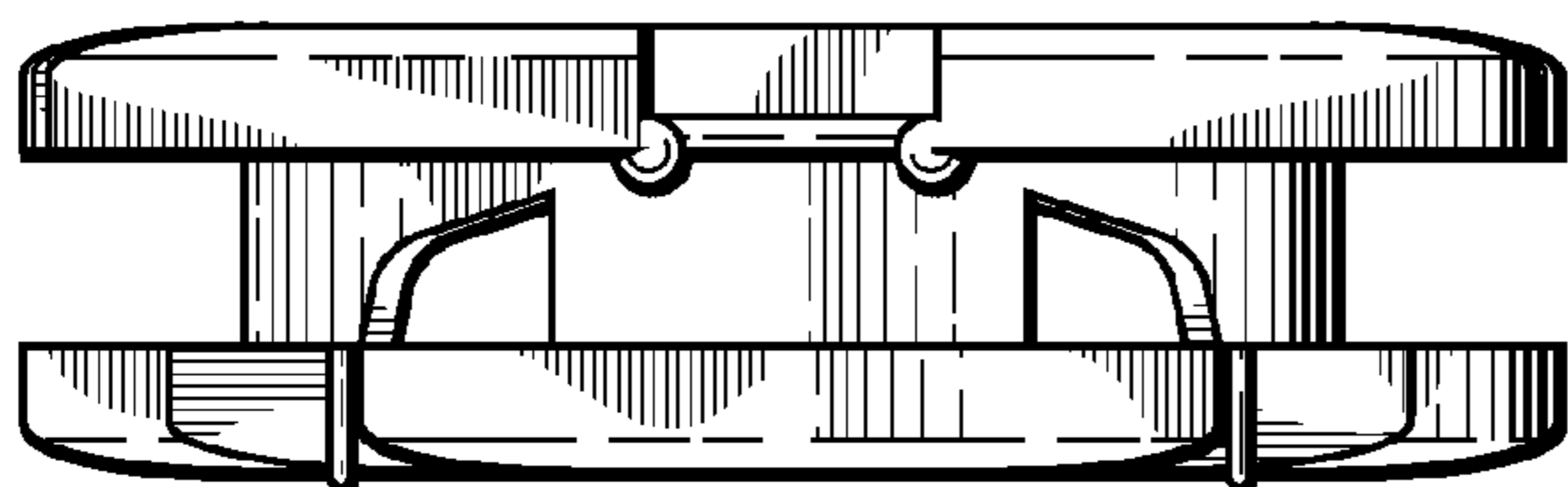


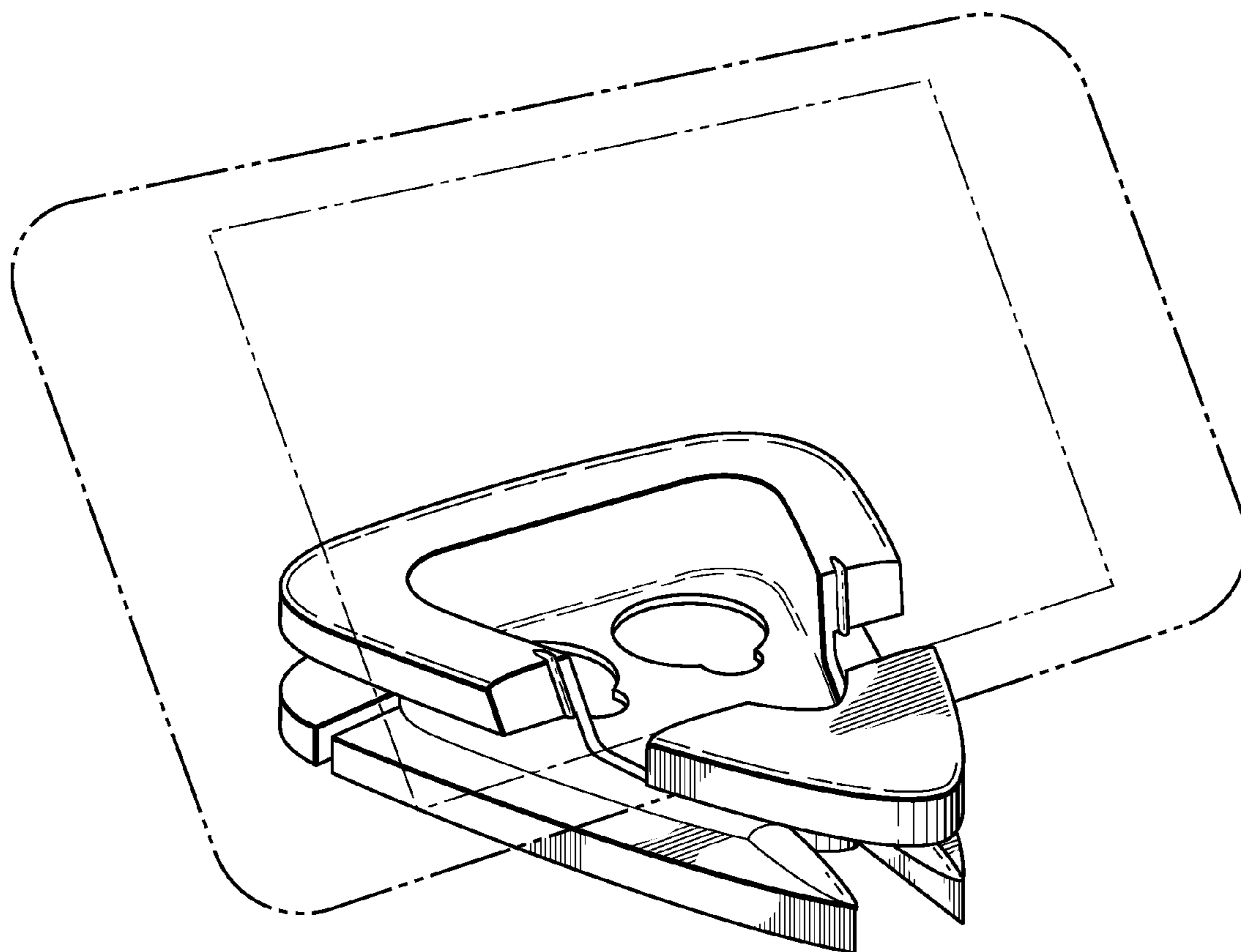
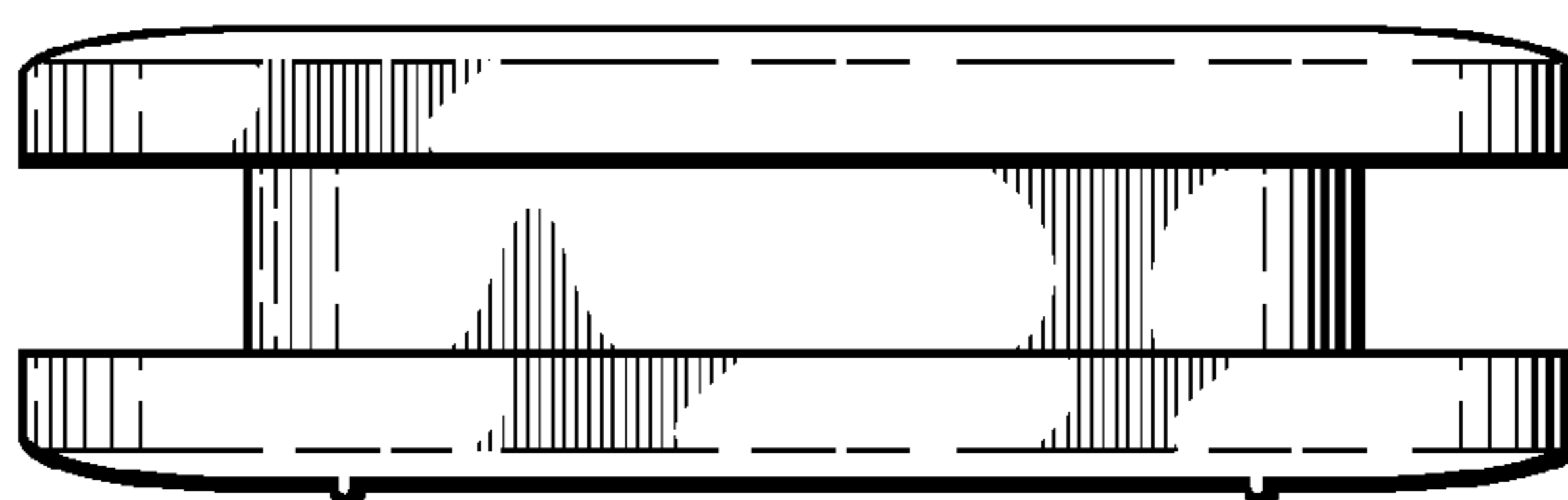
FIG. 3



*FIG. 4*



*FIG. 5*



*FIG. 8*

FIG. 6

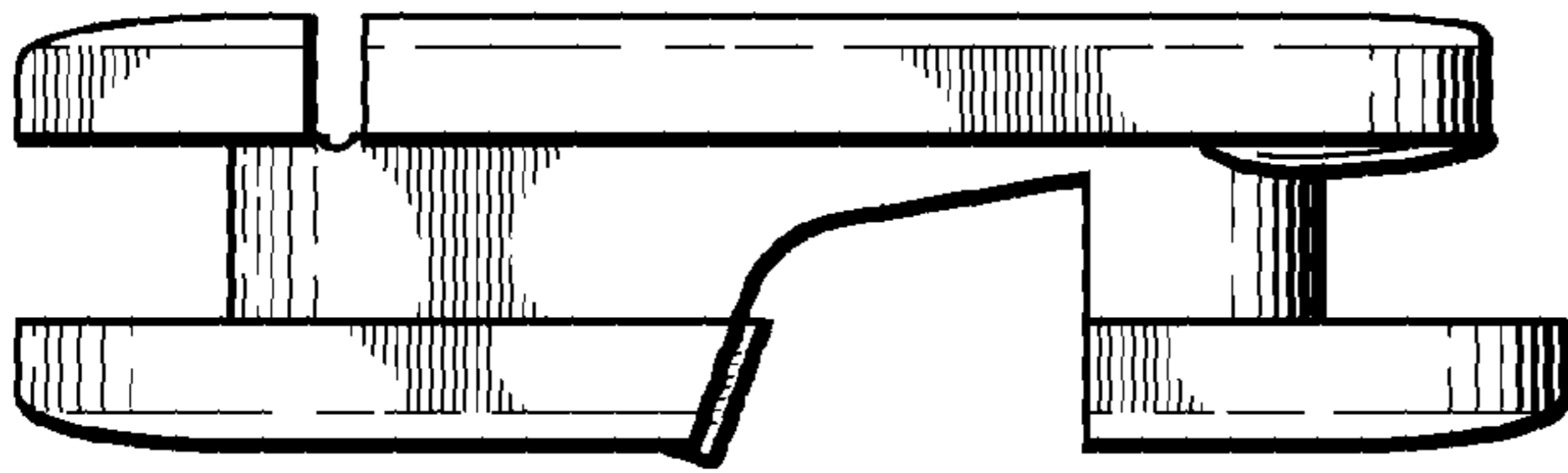


FIG. 7

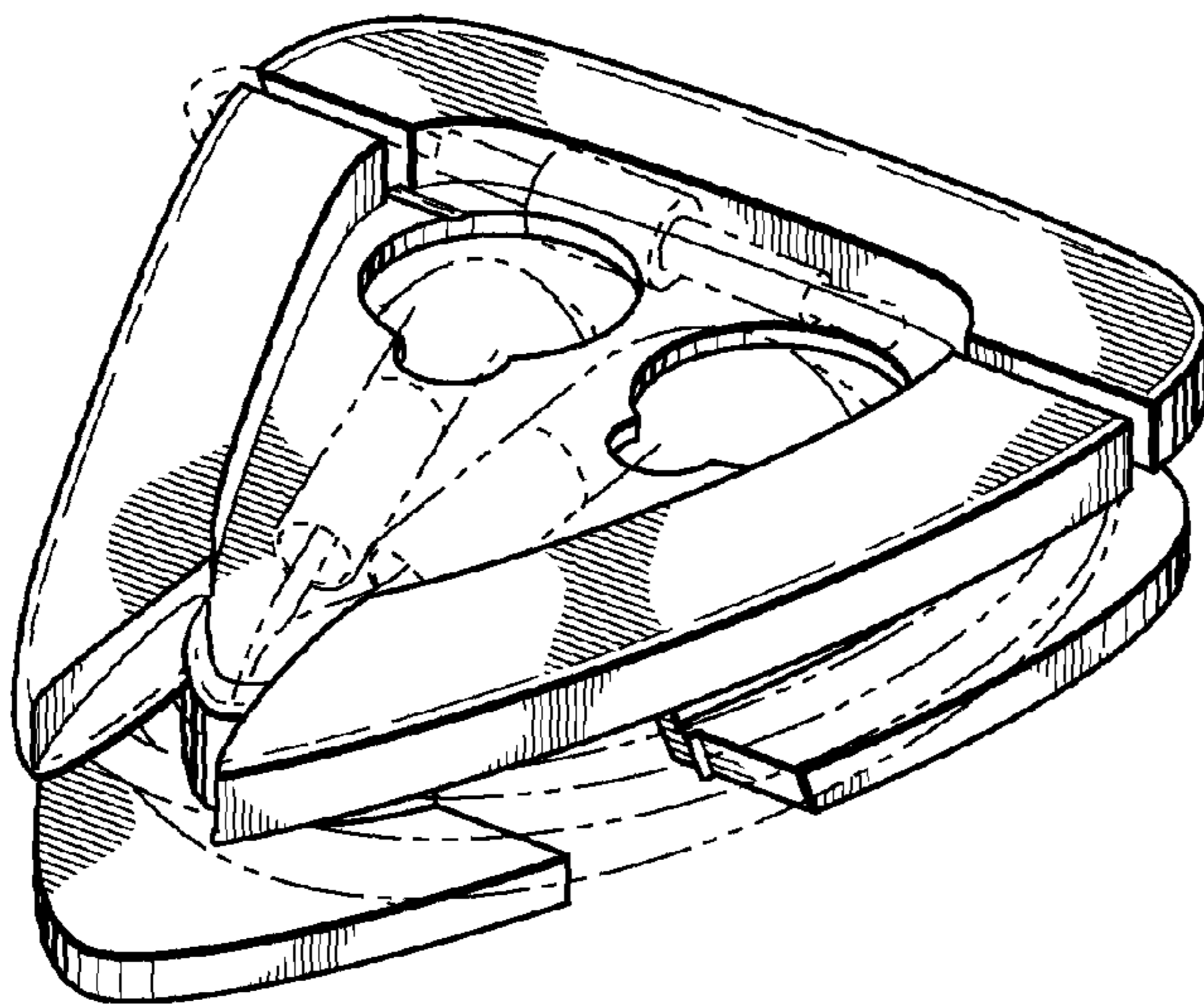
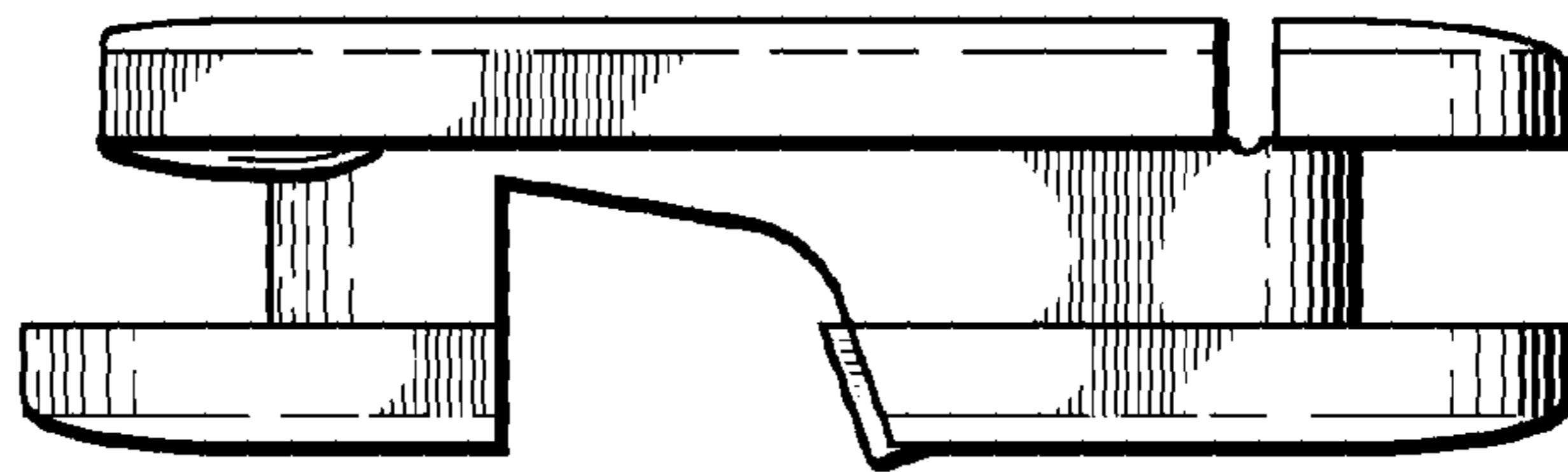


FIG. 9

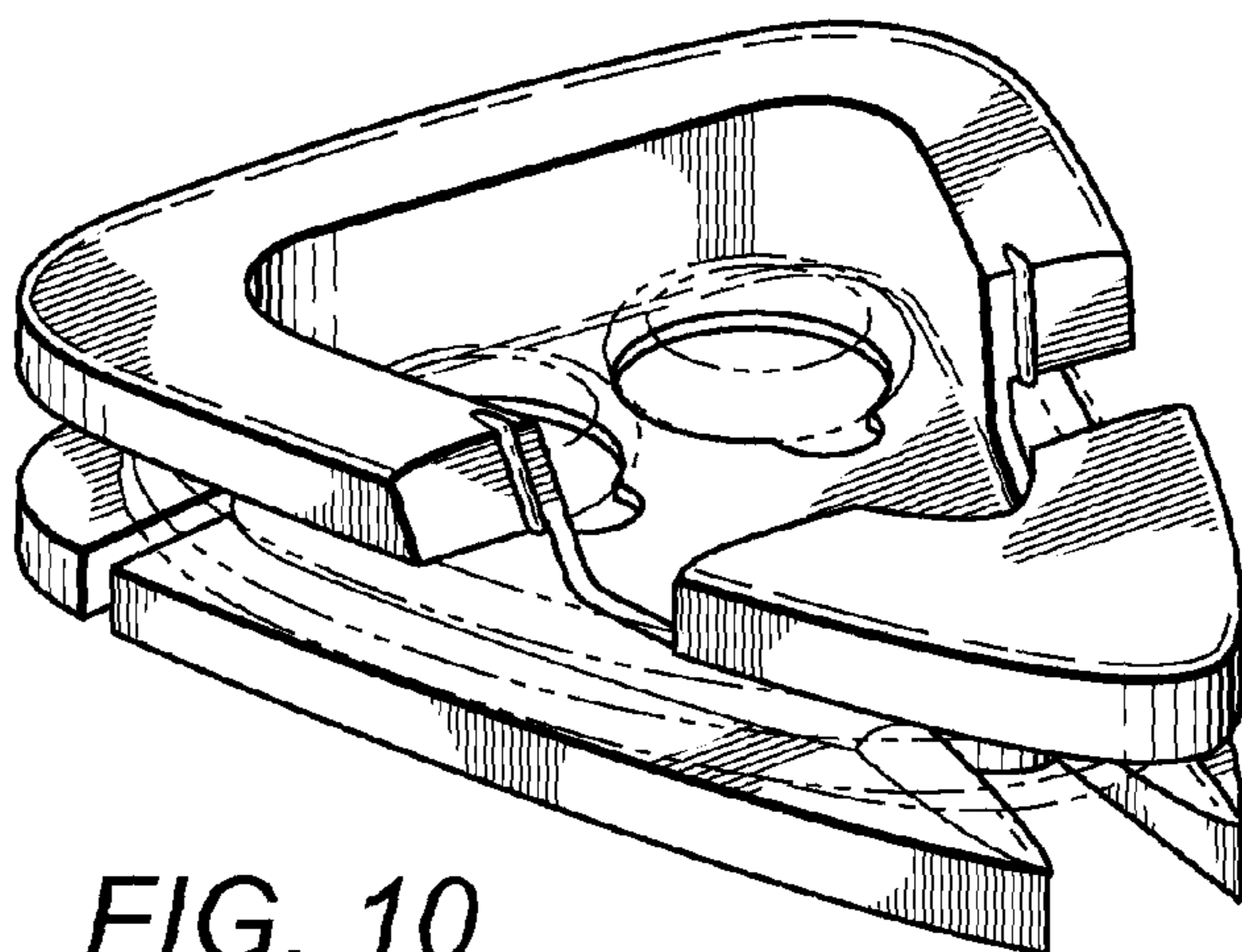


FIG. 10