



US00D620779S

(12) **United States Design Patent**
Kunnath et al.

(10) **Patent No.:** **US D620,779 S**

(45) **Date of Patent:** **** Aug. 3, 2010**

(54) **DRAWER AND DOOR HANDLE**

(76) Inventors: **Dana Louise Kunnath**, 5055 Brookdale, Bloomfield Hills, MI (US) 48304; **Glenn Kunnath**, 5055 Brookdale, Bloomfield Hills, MI (US) 48304

(**) Term: **14 Years**

(21) Appl. No.: **29/338,312**

(22) Filed: **Jun. 9, 2009**

(51) **LOC (9) Cl.** **08-06**

(52) **U.S. Cl.** **D8/314; D8/300**

(58) **Field of Classification Search** D8/300, D8/301, 307, 314, 366, 367, 372, 371, 373, D8/380; D23/250, 252; 16/110.1, 415; D6/323, D6/327, 546, 550; 248/13.1, 74.3, 200, 238, 248/339, 914, 303, 340, 629; 211/119.1, 211/13.1; 24/115 R, 130; 292/336.3
See application file for complete search history.

(56) **References Cited**

U.S. PATENT DOCUMENTS

287,113	A *	10/1883	Ellithorp	248/489
1,547,350	A *	7/1925	Rosenblum	248/558
2,140,663	A *	12/1938	Bailey	211/119.1
2,261,046	A *	10/1941	Anderson	248/51
D142,538	S *	10/1945	White	D8/366
D159,261	S *	7/1950	Fiechter	D6/323
2,606,733	A *	8/1952	Krajewski	248/215
2,968,408	A *	1/1961	Weidt	211/85.3
3,181,827	A *	5/1965	Sassin	248/74.2
3,218,018	A *	11/1965	Pohl et al.	248/340
3,317,167	A *	5/1967	Becker et al.	248/73
D208,426	S *	8/1967	Lodermeier	D8/356
3,891,176	A *	6/1975	Downing et al.	248/340
D259,243	S *	5/1981	Argante	D8/375
D262,842	S *	2/1982	Morey	D6/546
D290,931	S *	7/1987	Powell	D8/373

D305,299	S *	1/1990	Freeman	D8/373
D318,608	S *	7/1991	Schenker	D8/382
5,094,417	A *	3/1992	Creed	248/215
5,413,297	A *	5/1995	Adams	248/215
5,489,078	A *	2/1996	Risley	248/231.81
5,535,971	A *	7/1996	Adams	248/215
D458,528	S *	6/2002	Simon et al.	D8/313
D493,687	S *	8/2004	Ayrest	D8/314
6,854,610	B2 *	2/2005	Adams	211/118
7,234,671	B2 *	6/2007	Avinger	248/215
D580,734	S *	11/2008	Martin	D8/307
D595,560	S *	7/2009	Miska	D8/314

OTHER PUBLICATIONS

Advertisement for "TAPENIX"; Fast Cap® 2009 catalog.

* cited by examiner

Primary Examiner—Paula Greene

(74) *Attorney, Agent, or Firm*—Dobrusin & Thennisch PC

(57) **CLAIM**

The ornamental design for a drawer and door handle, as shown and described.

DESCRIPTION

FIG. 1 is a front perspective view of a drawer and door handle showing our new design;

FIG. 2 is a front view of the drawer and door handle shown in FIG. 1.

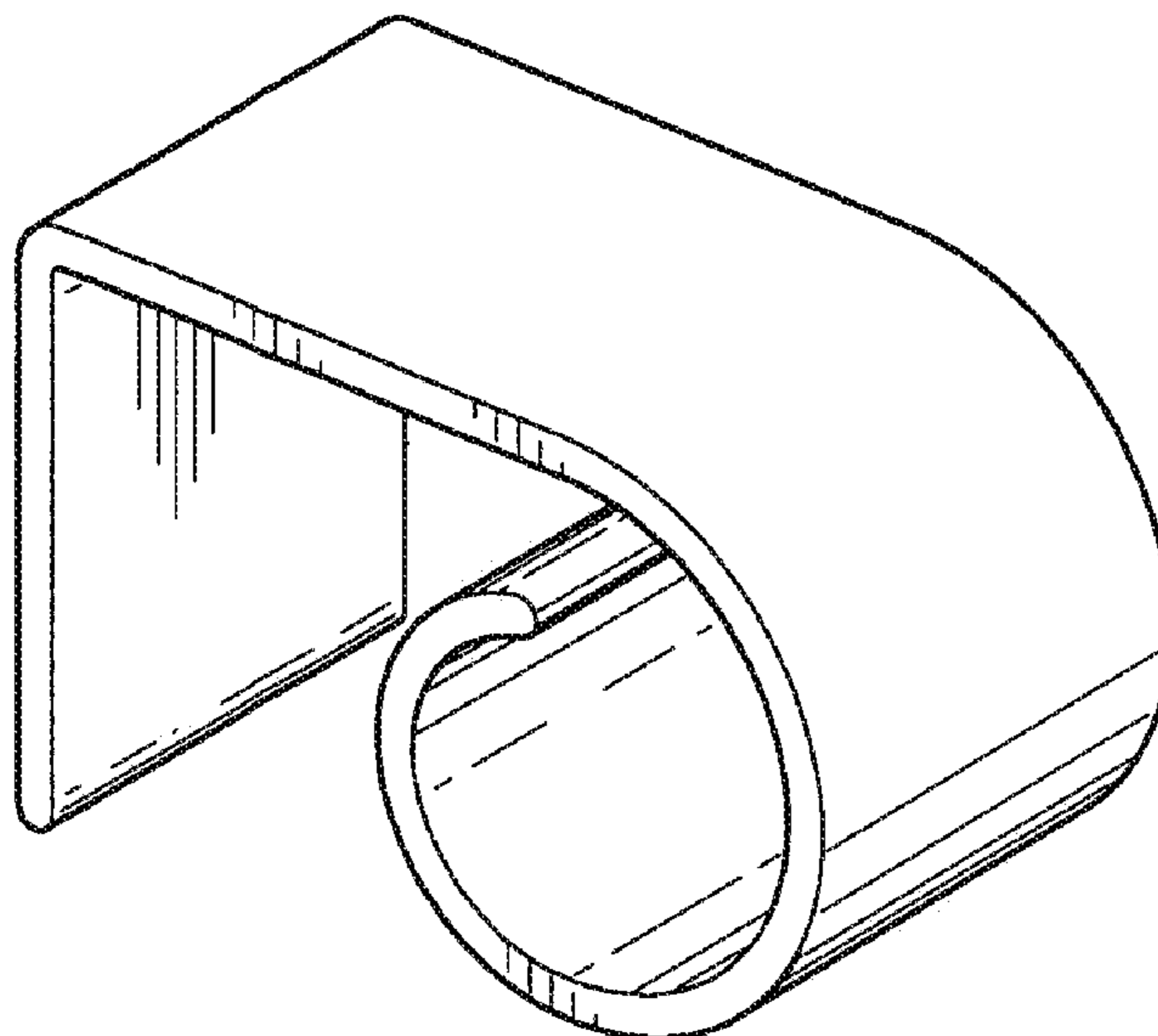
FIG. 3 is a back view of the drawer and door handle shown in FIG. 1.

FIG. 4 is a top-down view of the drawer and door handle shown in FIG. 1.

FIG. 5 is a bottom-up view of the drawer and door handle shown in FIG. 1; and,

FIG. 6 is a side elevational view thereof, the opposite side is a mirror image.

1 Claim, 1 Drawing Sheet



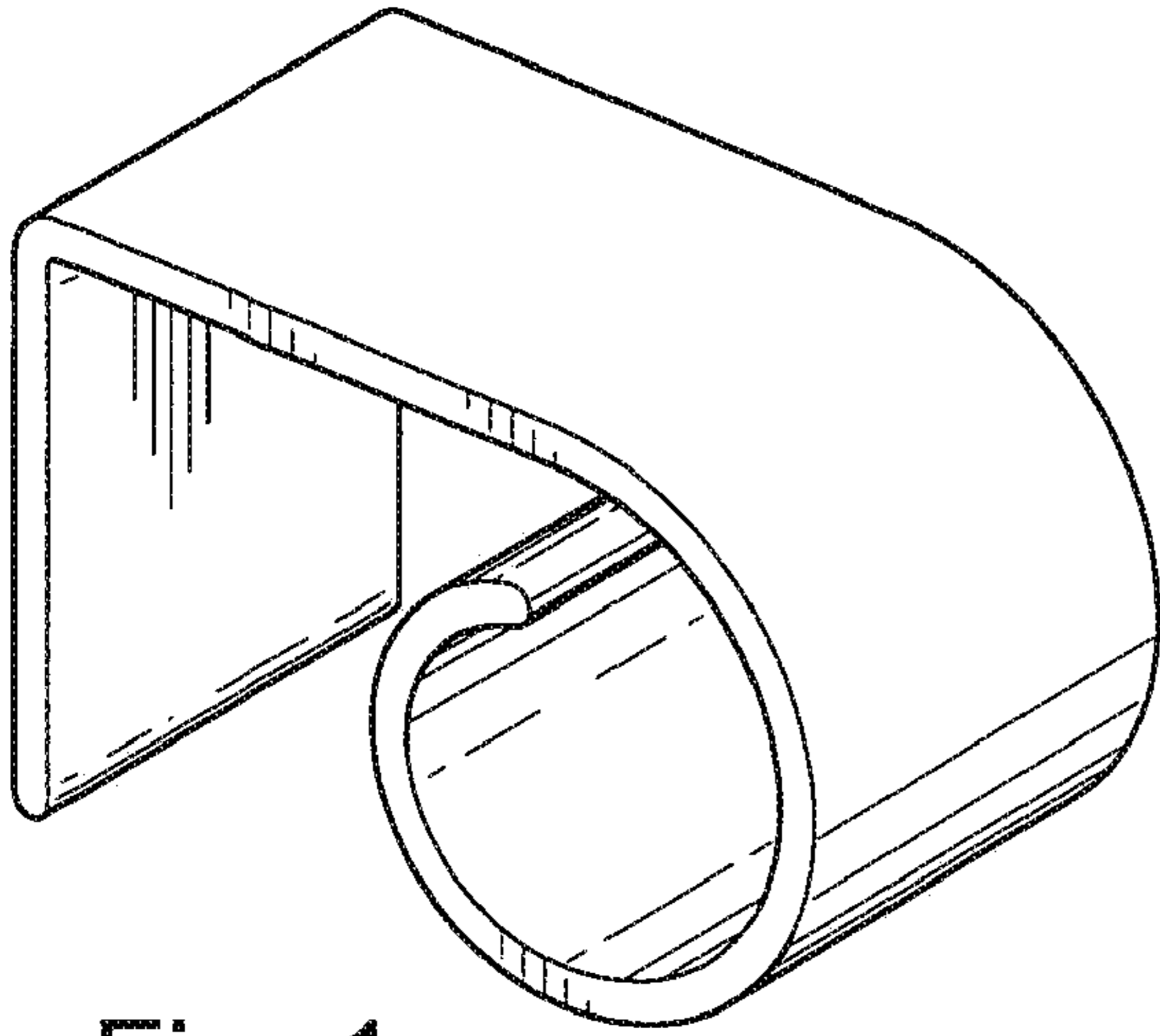


Fig - 1

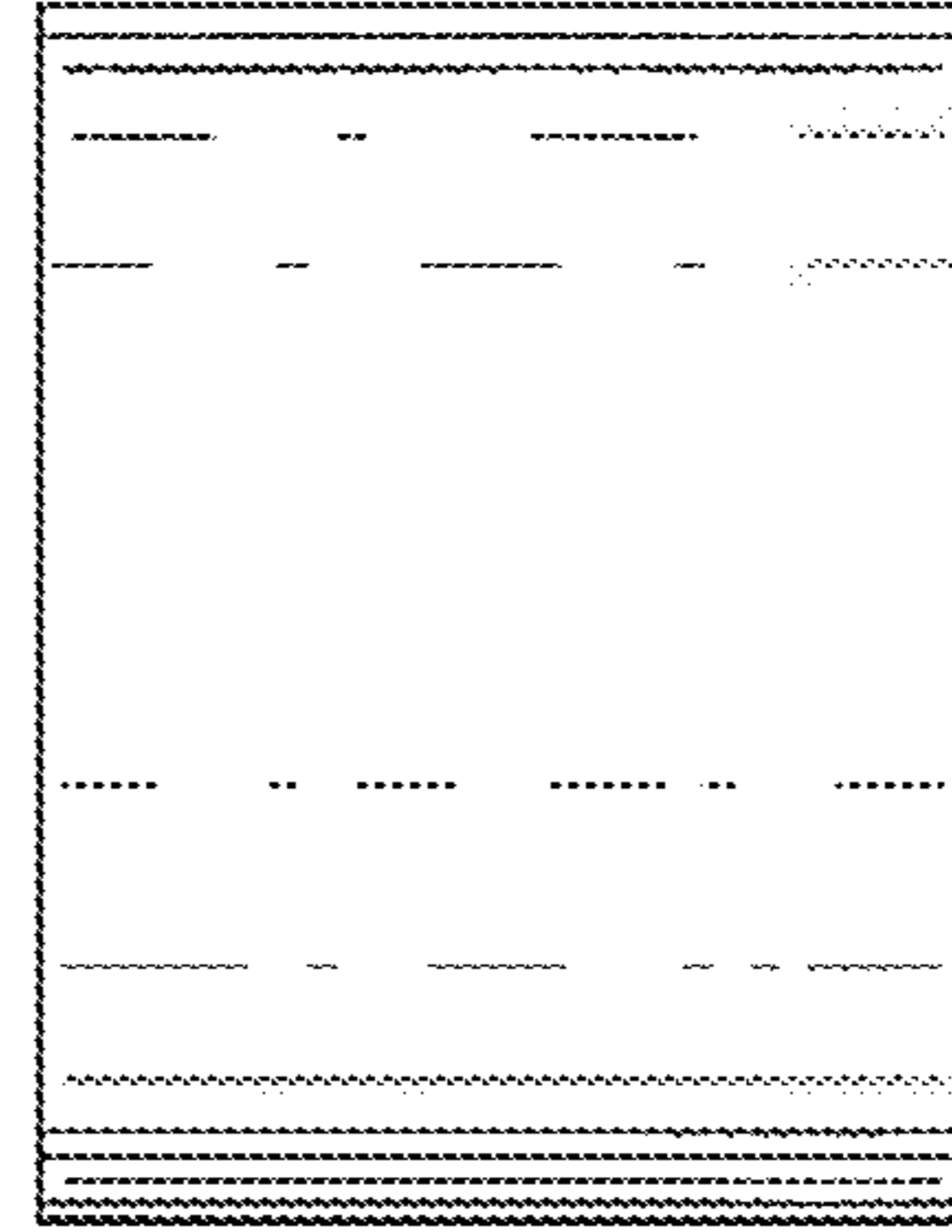


Fig - 2

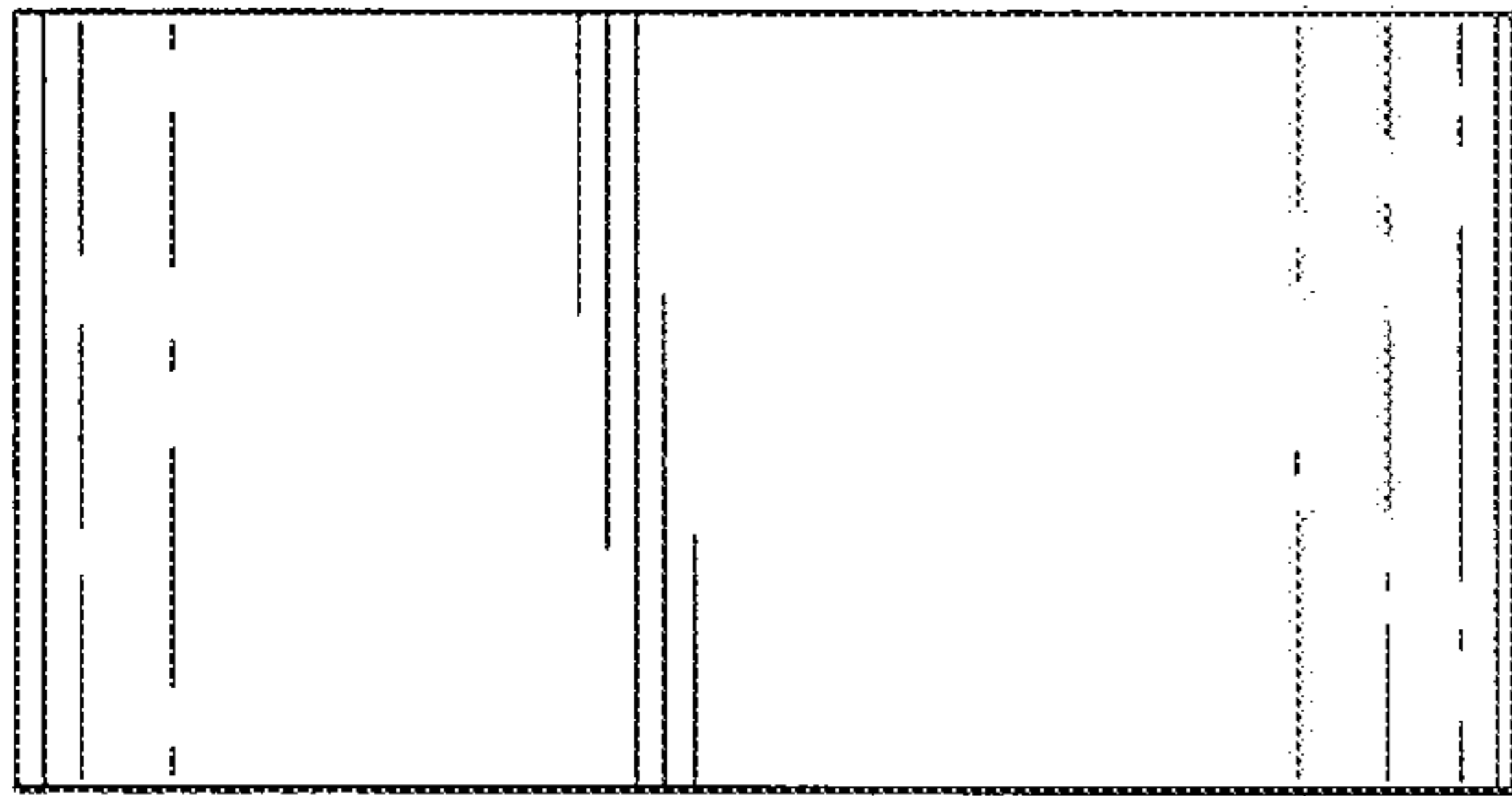


Fig - 4

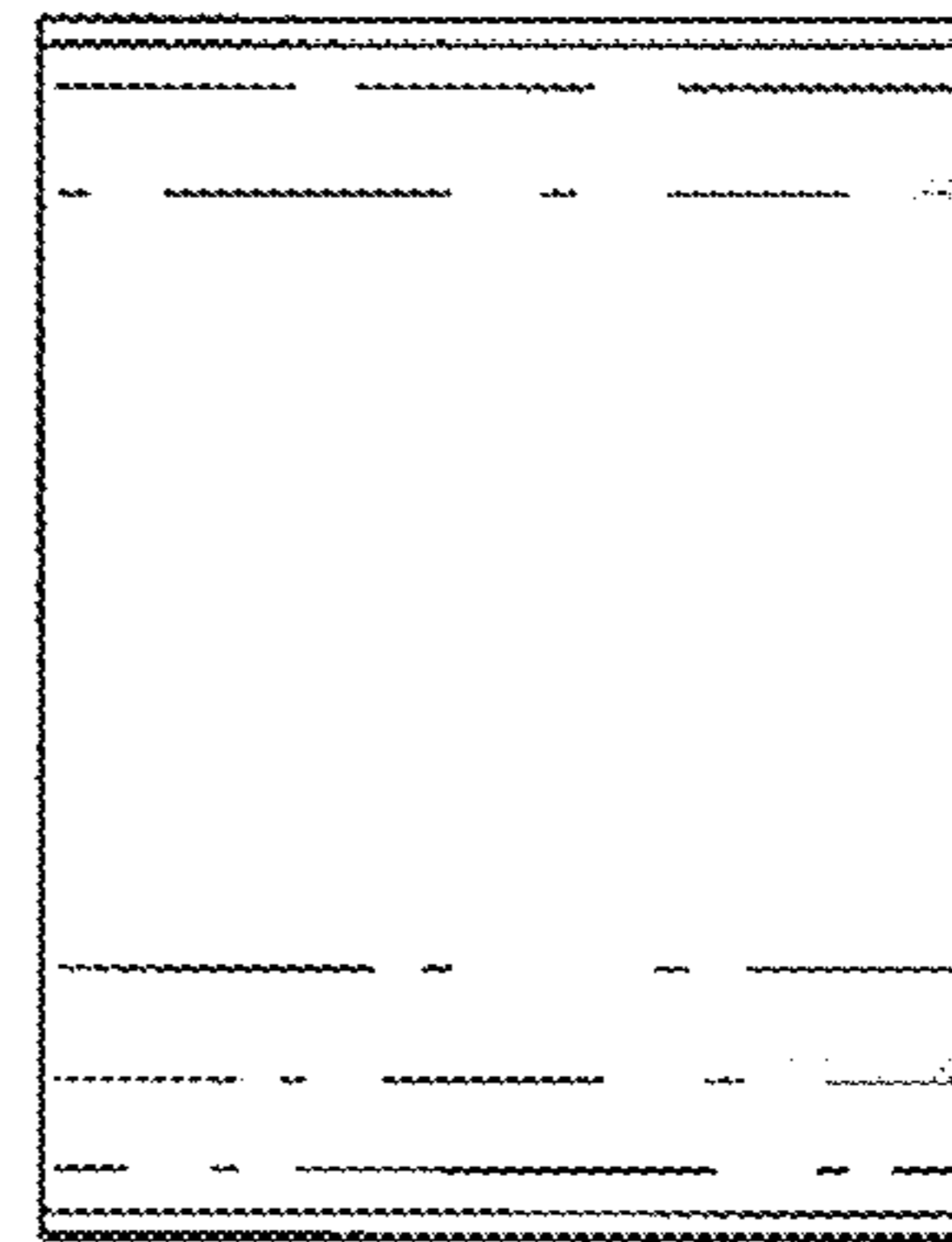


Fig - 3

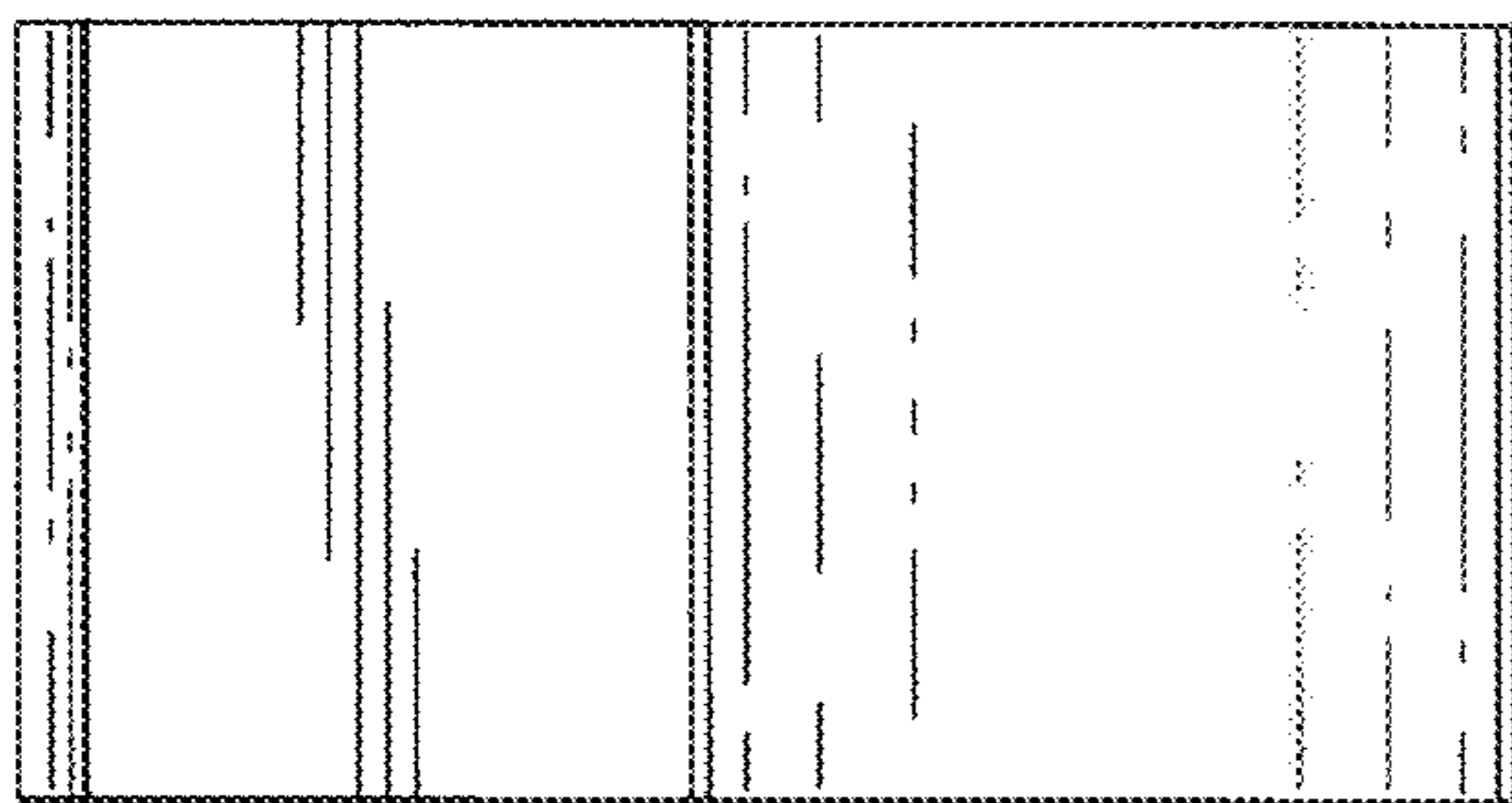


Fig - 5

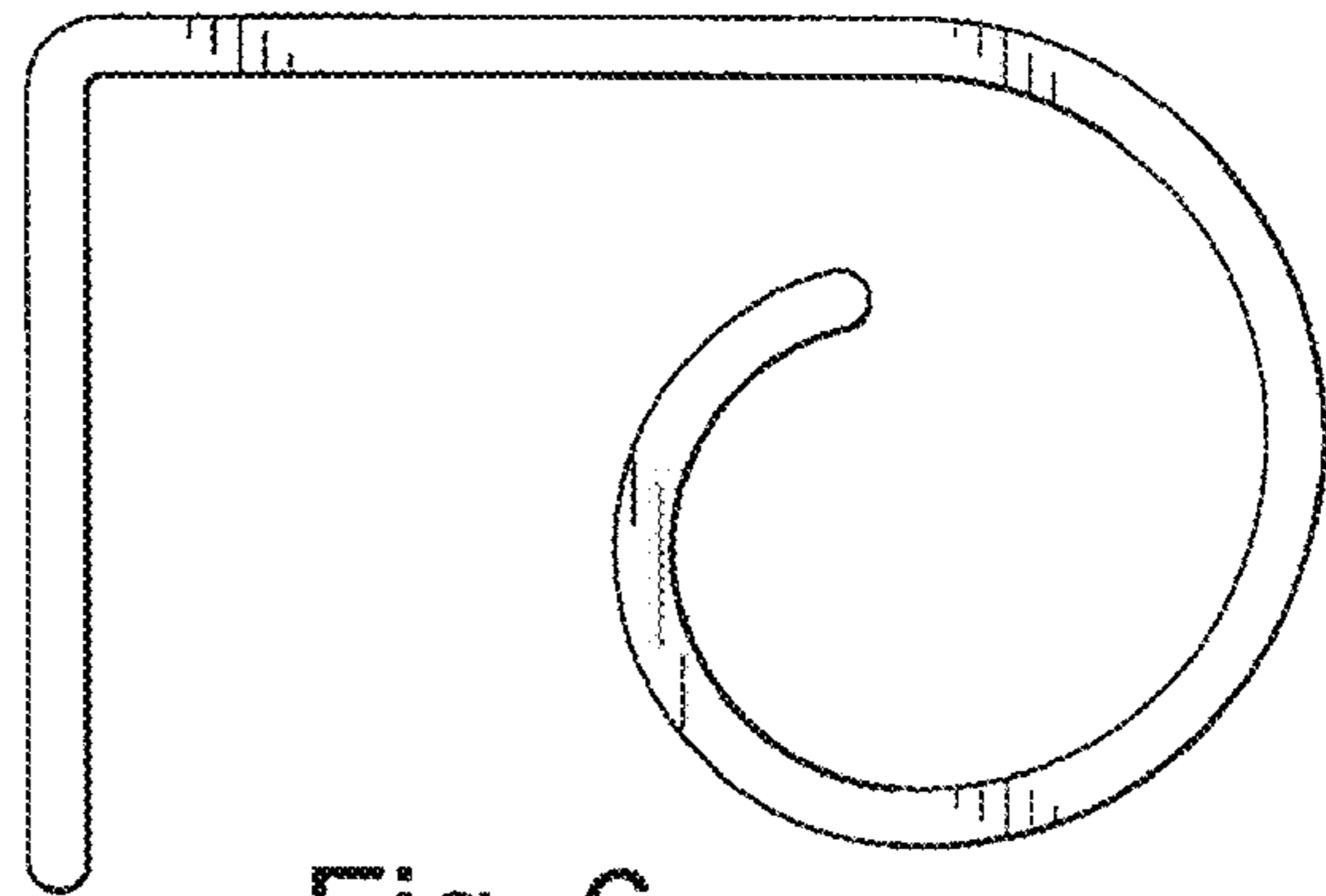


Fig - 6