



US00D620777S

(12) **United States Design Patent**  
**Demers et al.**

(10) **Patent No.:** **US D620,777 S**  
(45) **Date of Patent:** **\*\* Aug. 3, 2010**

(54) **TOOL KNOB**

(75) Inventors: **Brian Joseph Demers**, Huntersville, NC  
(US); **Joseph Allen Berlepsch**,  
 Mooresville, NC (US)

(73) Assignee: **Lowe's Companies, Inc.**, Mooresville,  
 NC (US)

(\*\*) Term: **14 Years**

(21) Appl. No.: **29/331,643**

(22) Filed: **Jan. 29, 2009**

D162,686 S *	3/1951	Petterson .....	D8/312
D282,236 S *	1/1986	Shohoji et al. ....	D8/61
D301,967 S *	7/1989	Sakamoto et al. ....	D8/67
D310,969 S *	10/1990	Butler .....	D9/453
D320,562 S *	10/1991	Brester et al. ....	D9/452
D324,411 S *	3/1992	Jolibois .....	D23/250
D329,590 S *	9/1992	Chapman .....	D8/402
D444,065 S *	6/2001	Crawford et al. ....	D9/453
D471,784 S *	3/2003	Garvis et al. ....	D8/68
D474,528 S	5/2003	Huang	
6,745,883 B2 *	6/2004	Eto et al. ....	192/56.62
D495,226 S *	8/2004	Grant et al. ....	D8/61
D518,351 S *	4/2006	Hay .....	D8/107
D542,133 S *	5/2007	Haber et al. ....	D9/453
D543,828 S *	6/2007	Strutin-Belinoff et al. ....	D8/310
D551,972 S *	10/2007	Jacobs et al. ....	D9/445

**Related U.S. Application Data**

(62) Division of application No. 29/249,386, filed on Oct.  
4, 2006, now Pat. No. Des. 590,232.

(51) **LOC (9) Cl.** ..... **08-05**

(52) **U.S. Cl.** ..... **D8/107**

(58) **Field of Classification Search** ..... D8/20–29,  
D8/55, 61, 93, 98–100, 102–107, 300, 301,  
D8/303, 307, 310, 312, 319–320, 376–378,  
D8/400–499; D4/132–138; D7/393, 395,  
D7/401.1, 401.2, 649, 695; D22/104, 118,  
D22/207; D24/207; D6/524; D26/154;  
D9/443, 452–454; 15/143.1, 159.1, 160,  
15/168, 175, 194.1, 192; 81/177.1–177.9,  
81/489, 3.2, 436, 439–400, 60–63.2, 477,  
81/479, 52; 16/427, 422, 436, 110.1, 421,  
16/430–431, 429, 441, 124.6, 414, 417, DIG. 12,  
16/DIG. 18, DIG. 19; 73/862.23; 30/164.5,  
30/151–162; 211/87.01; 428/28

See application file for complete search history.

(56) **References Cited**

**U.S. PATENT DOCUMENTS**

D93,650 S *	10/1934	Fleisch .....	D9/453
D100,583 S *	7/1936	Schenk .....	D9/442
D101,623 S *	10/1936	Fleisch .....	D9/453
D126,506 S *	4/1941	Derry .....	D13/134
D143,807 S *	2/1946	Eastham .....	D8/312

**FOREIGN PATENT DOCUMENTS**

TW 443904 6/1999

\* cited by examiner

*Primary Examiner*—Cathron C Brooks

*Assistant Examiner*—Barbara Fox

(74) *Attorney, Agent, or Firm*—Moore & Van Allen PLLC; W.  
Kevin Ransom

(57) **CLAIM**

The ornamental design for a tool knob, as shown and  
described.

**DESCRIPTION**

FIG. 1 is a perspective view of a first embodiment of a tool  
knob;

FIG. 2 is an enlarged, perspective view of the tool knob of  
FIG. 1;

FIG. 3 is an elevational view of the bottom side of the tool  
knob of FIG. 1;

FIG. 4 is an elevational view of the front side of the tool knob  
of FIG. 1;

FIG. 5 is an enlarged view of the front side of the tool knob of  
FIG. 1;

FIG. 6 is an elevational view of the rear side of the tool knob  
of FIG. 1;

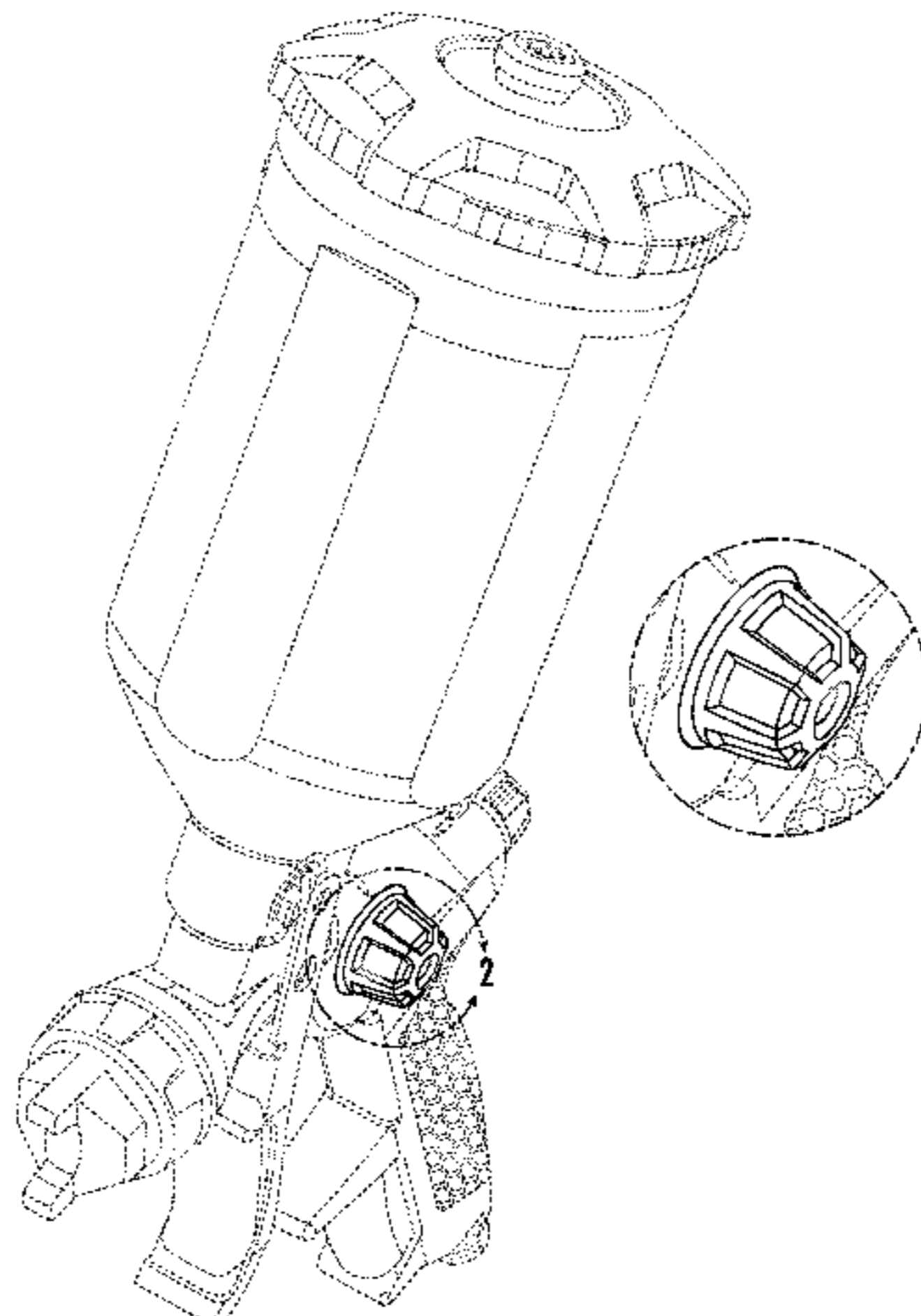


FIG. 7 is an enlarged view of the rear side of the tool knob of FIG. 1;

FIG. 8 is an elevational view of the top side of the tool knob of FIG. 1;

FIG. 9 is an enlarged view of the top side of the tool knob of FIG. 1;

FIG. 10 is a plan view of the left side of the tool knob of FIG. 1;

FIG. 11 is a plan view of the right side of the tool knob of FIG. 1;

FIG. 12 is an enlarged view of the left side of the tool knob of FIG. 1;

FIG. 13 is a perspective view of a second embodiment of the tool knob according to the present invention;

FIG. 14 is an enlarged, perspective view of the tool knob illustrated in FIG. 13;

FIG. 15 is an elevational view of the front side of the tool knob of FIG. 13;

FIG. 16 is an enlarged view of the front side of the tool knob illustrated in FIG. 13;

FIG. 17 is an elevational view of the top side of the tool knob of FIG. 13;

FIG. 18 is an enlarged view of the top side of the tool knob illustrated in FIG. 13;

FIG. 19 is an elevational view of the rear side of the tool knob of FIG. 13;

FIG. 20 is an enlarged view of the rear side of the tool knob illustrated in FIG. 13;

FIG. 21 is an elevational view of the bottom side of the tool knob of FIG. 13;

FIG. 22 is a plan view of the right side of the tool knob of FIG. 13;

FIG. 23 is an enlarged view of the right side of the tool knob illustrated in FIG. 13;

FIG. 24 is a plan view of the left side of the tool knob of FIG. 13; and,

FIG. 25 is an enlarged view of the left side of the tool knob illustrated in FIG. 13.

The broken lines in the drawings illustrate environmental structure and form no part of the claimed design.

**1 Claim, 14 Drawing Sheets**

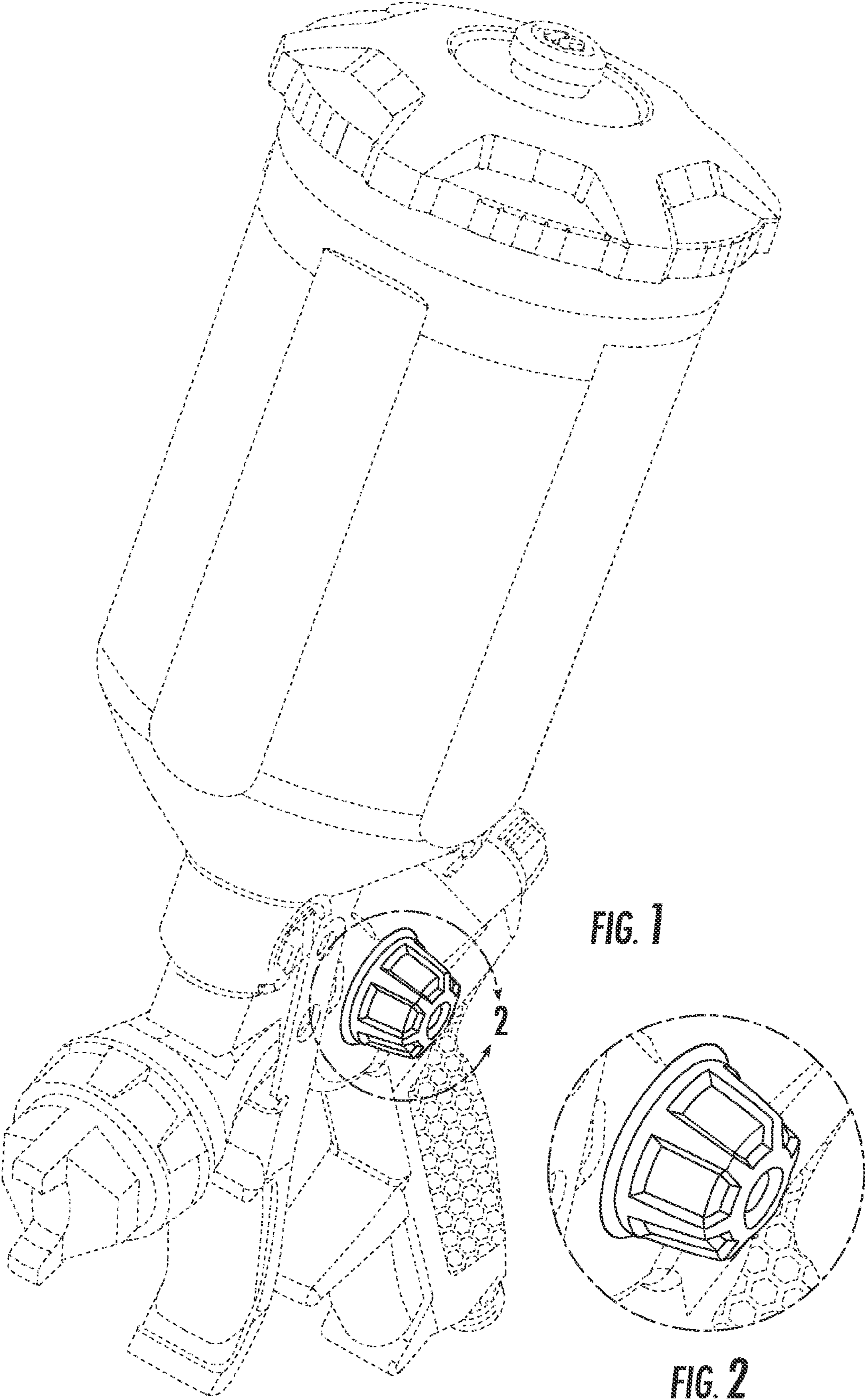


FIG. 1

FIG. 2



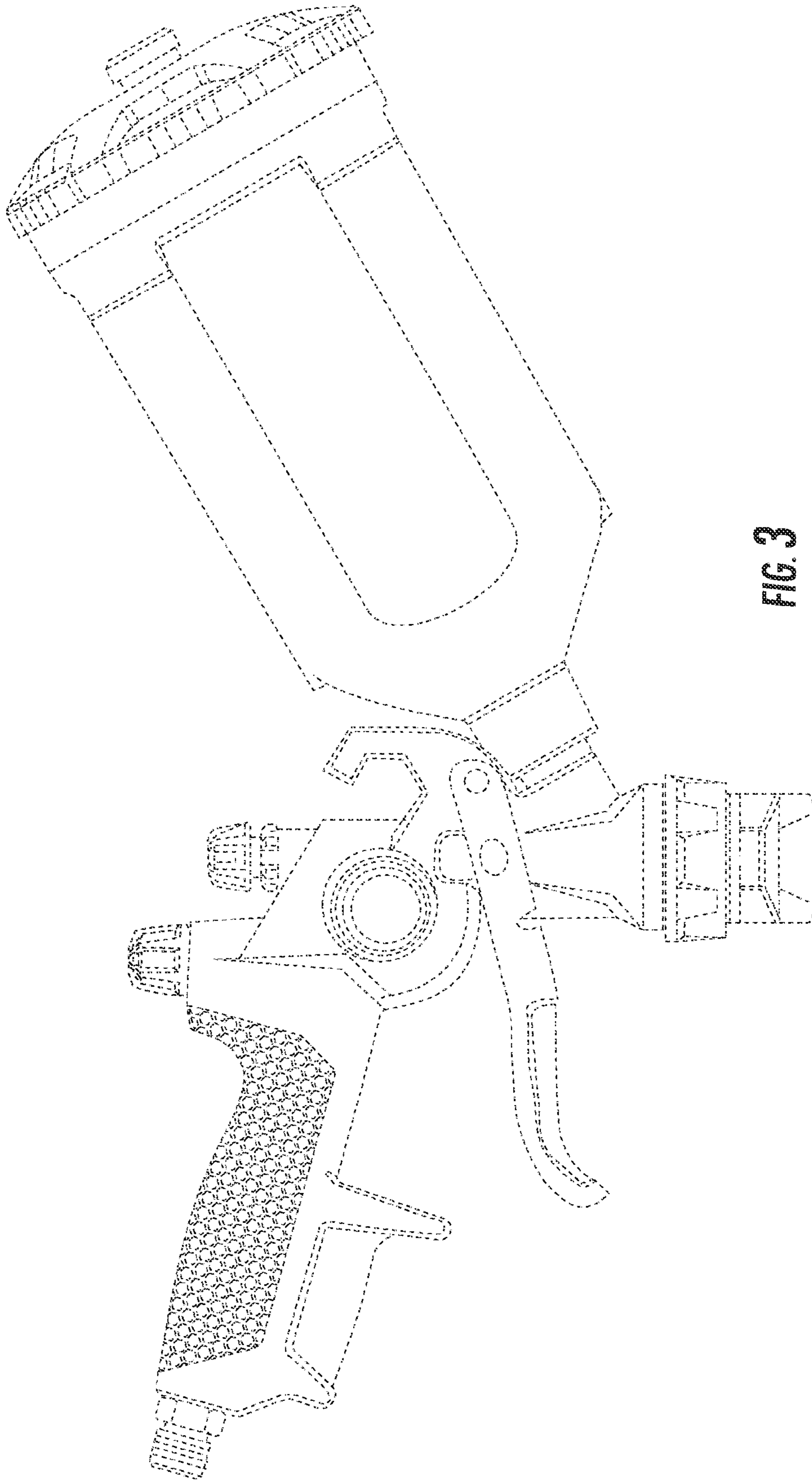


FIG. 3

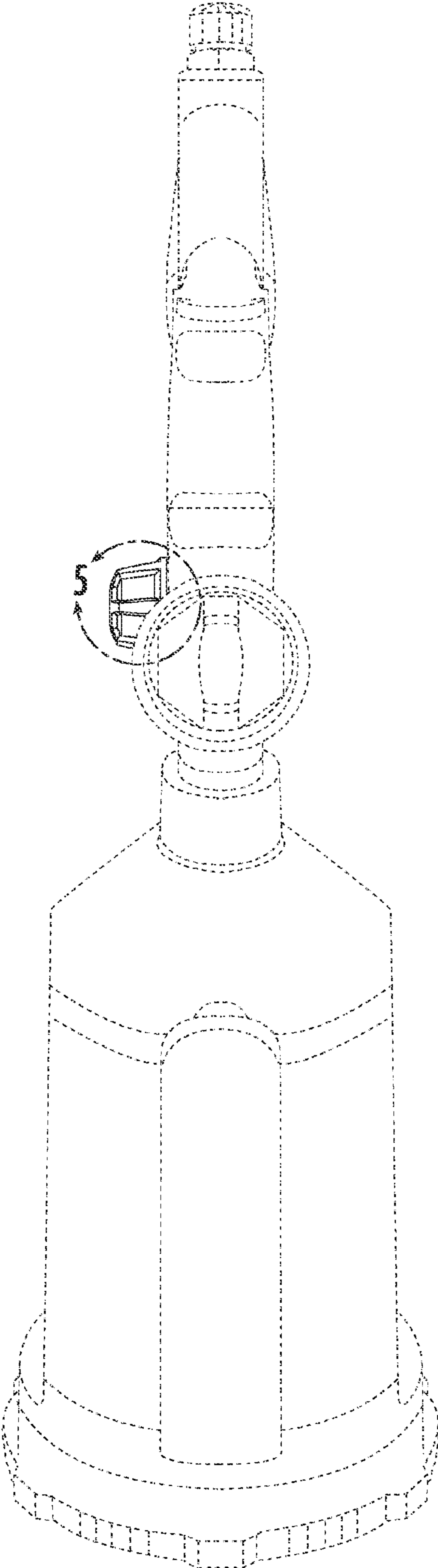


FIG. 4

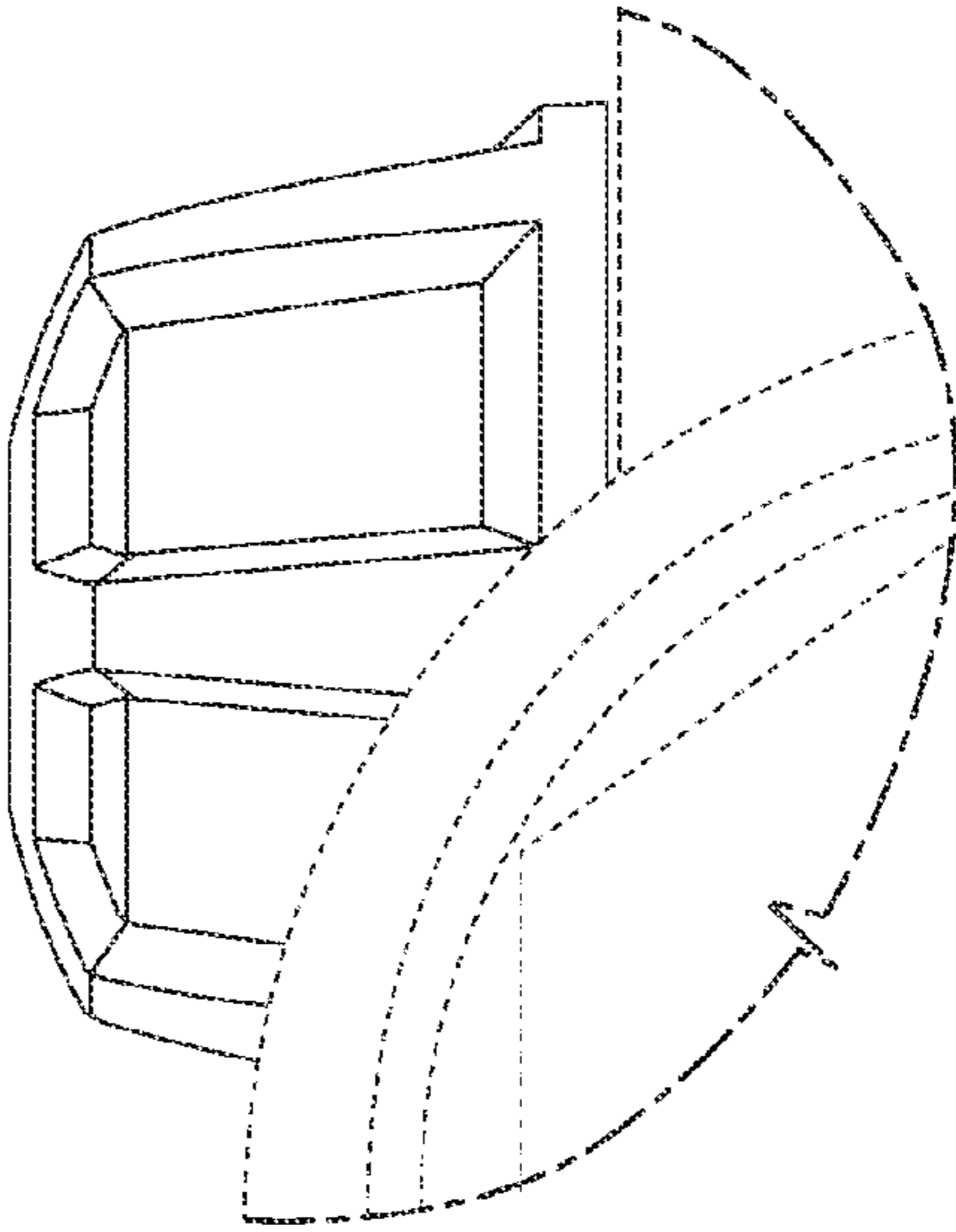


FIG. 5

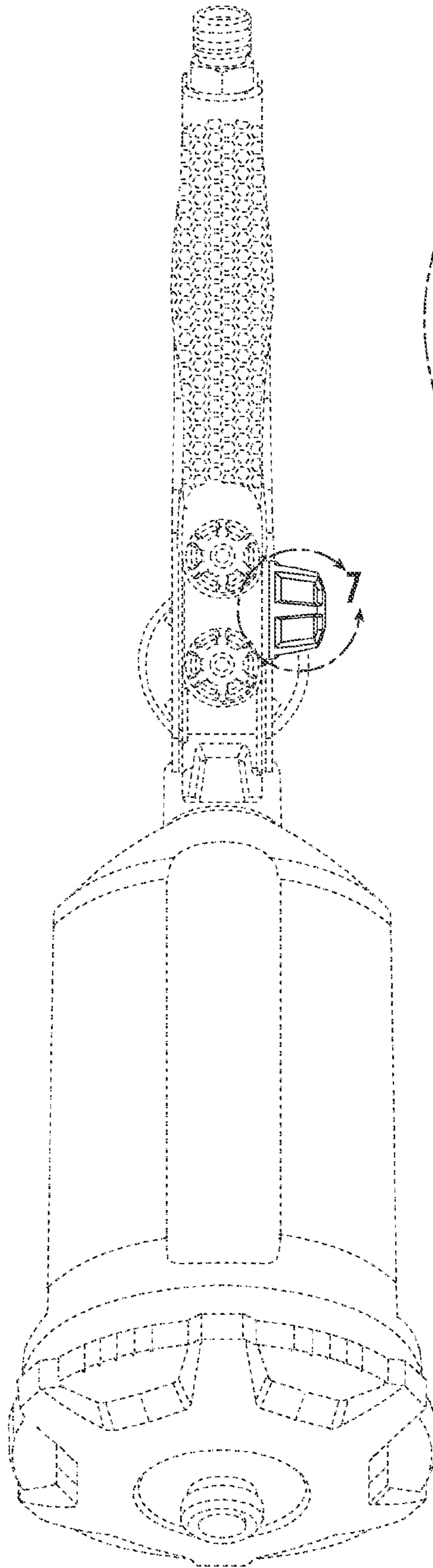


FIG. 6

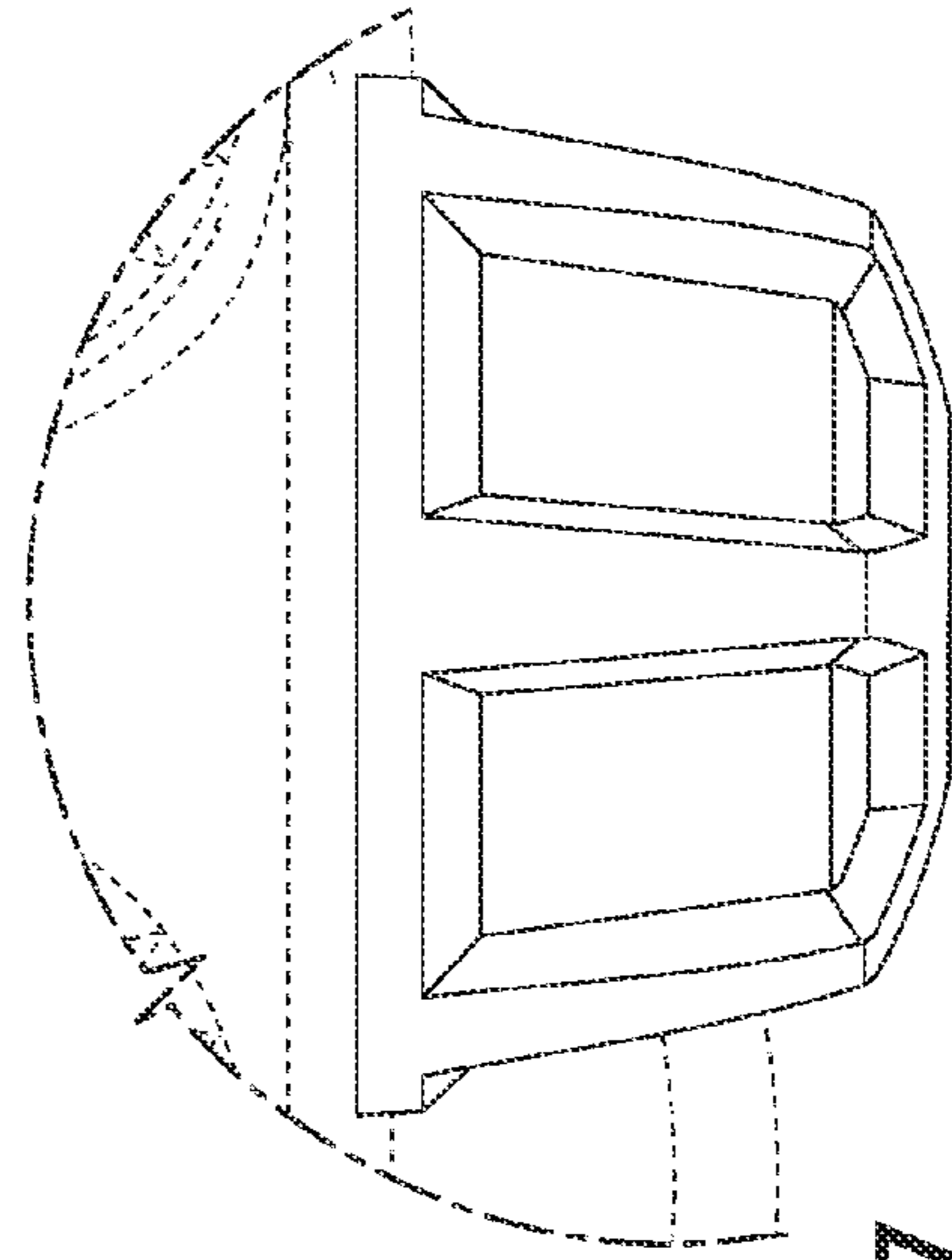


FIG. 7

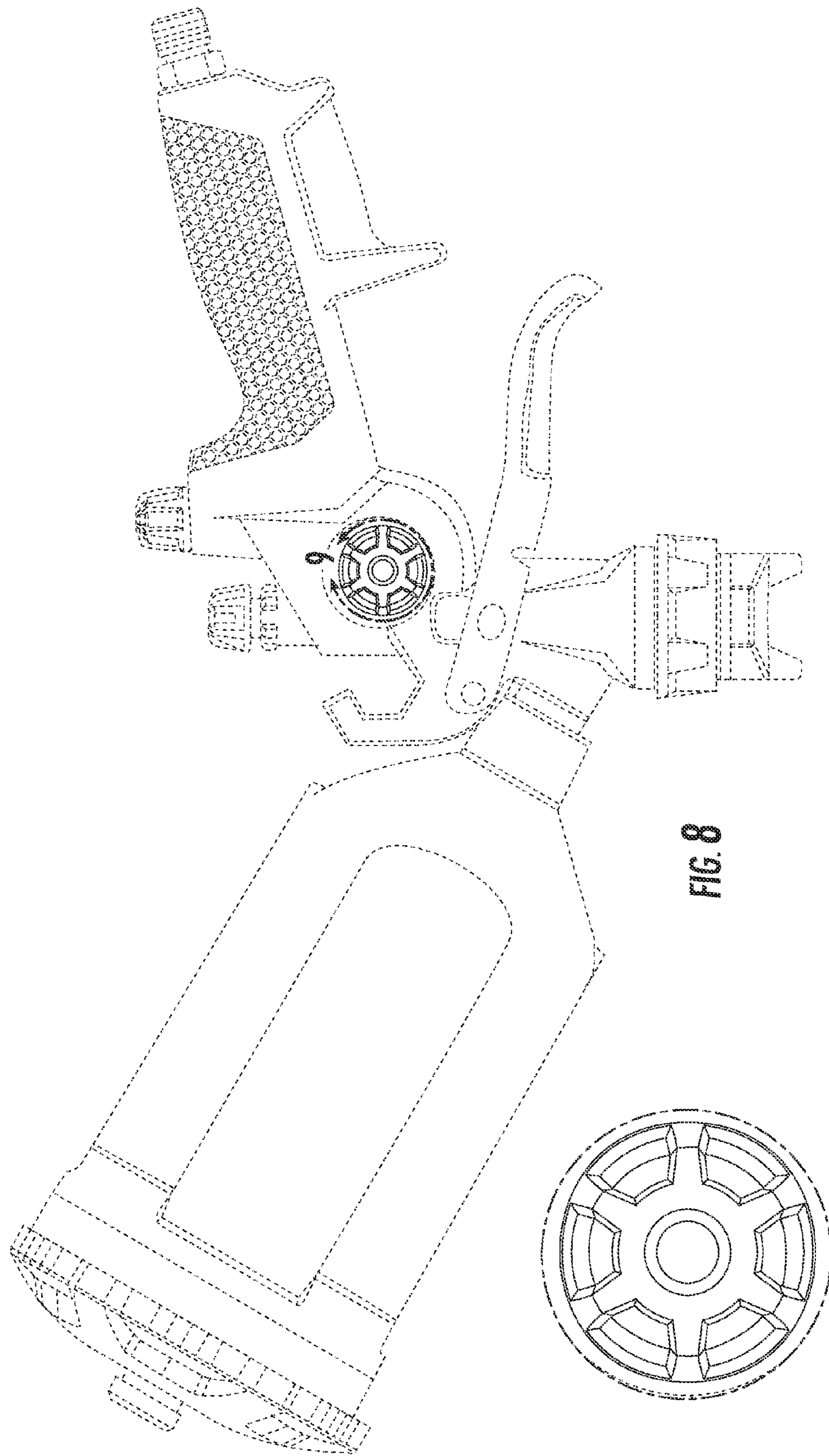
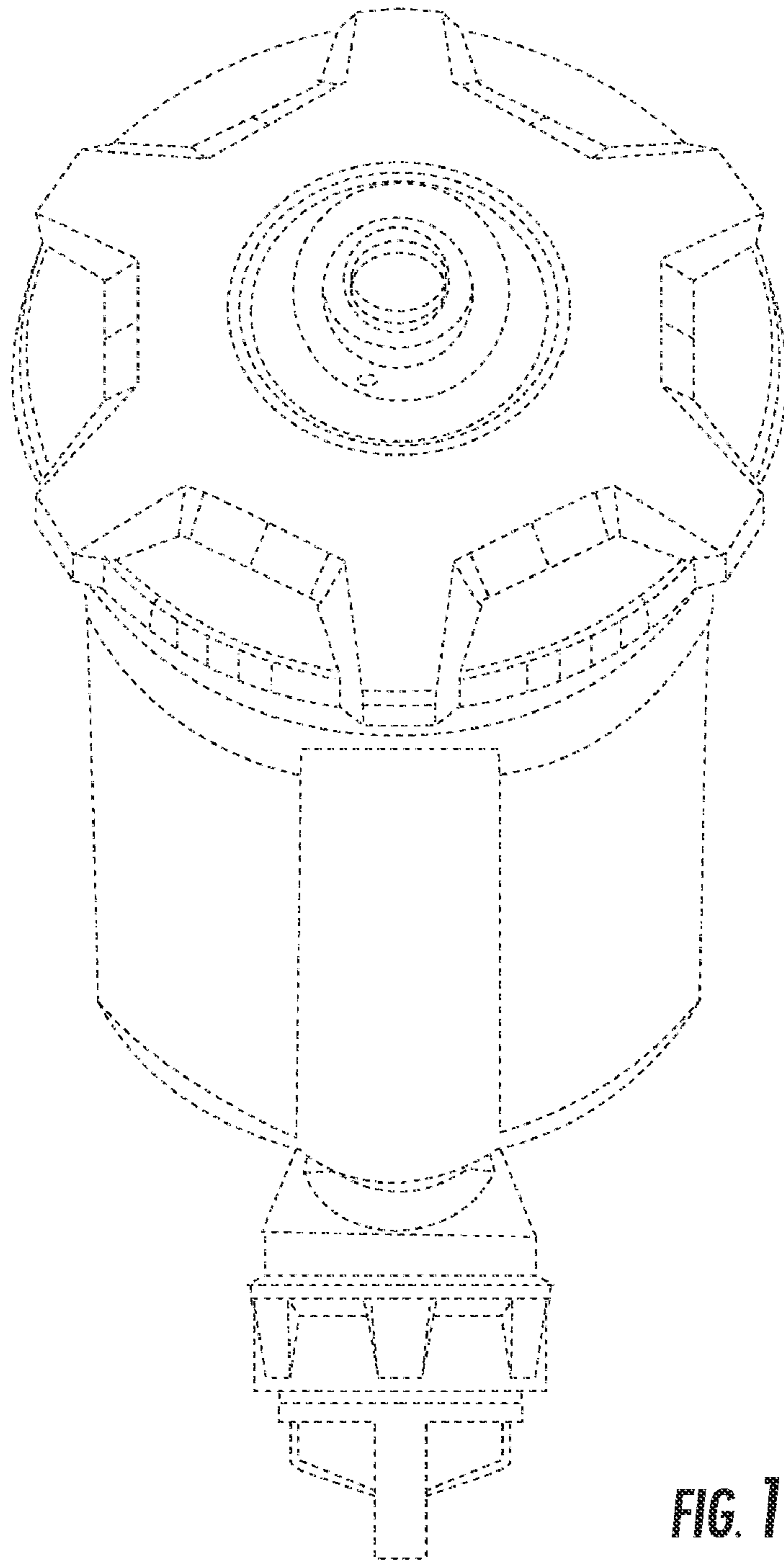


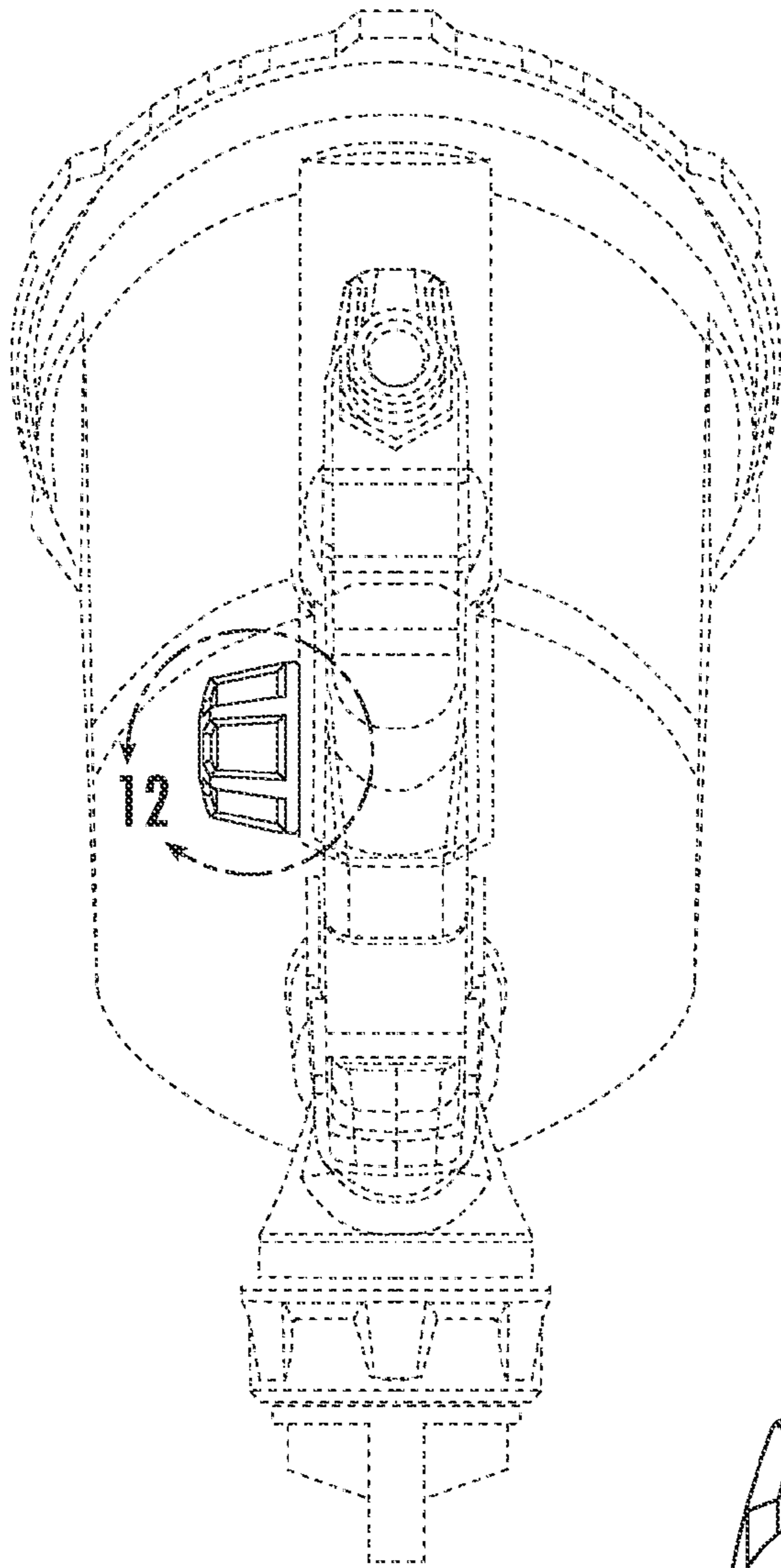
FIG. 8

FIG. 9

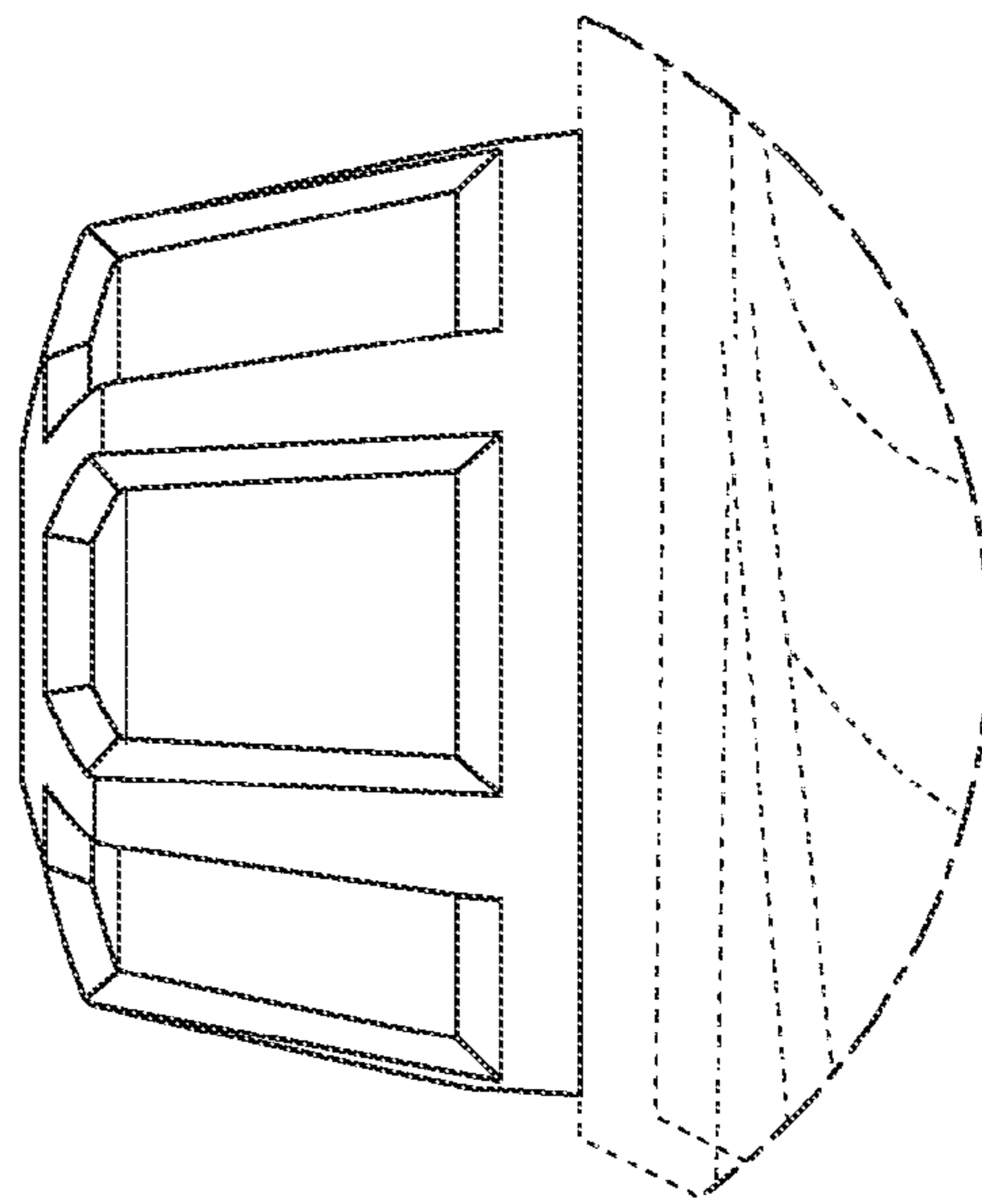


**FIG. 10**





**FIG. 11**



**FIG. 12**

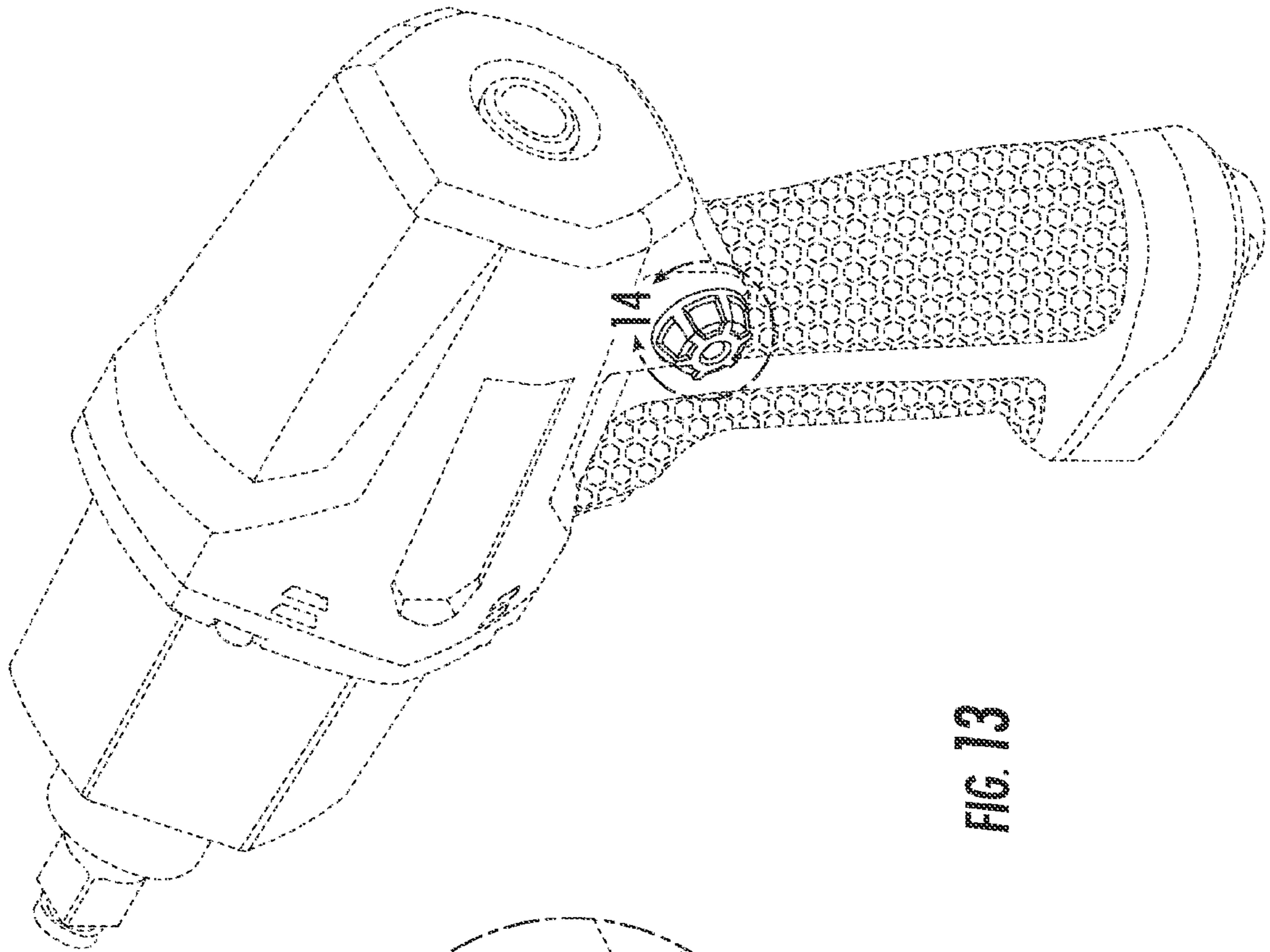


FIG. 13

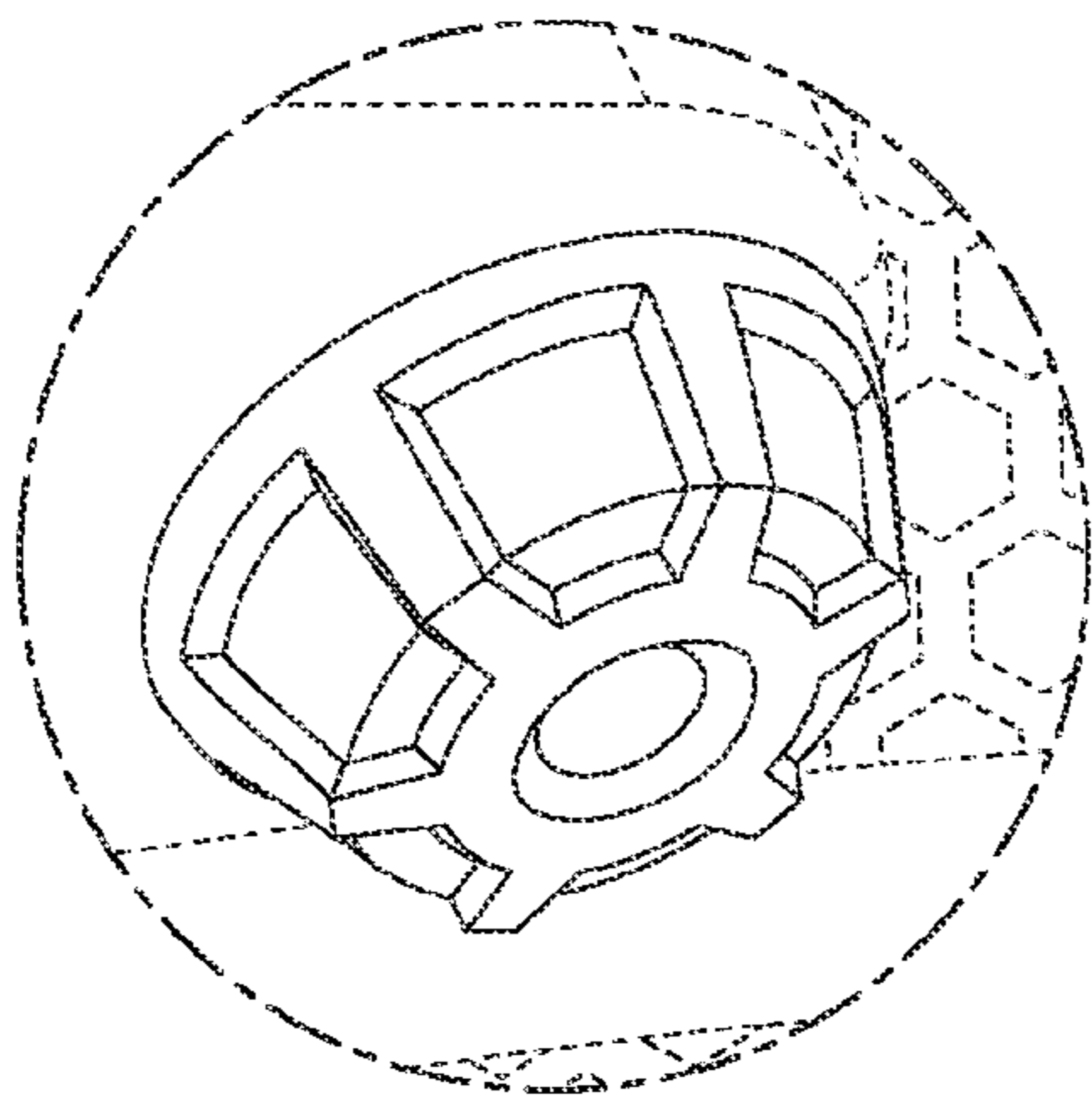


FIG. 14

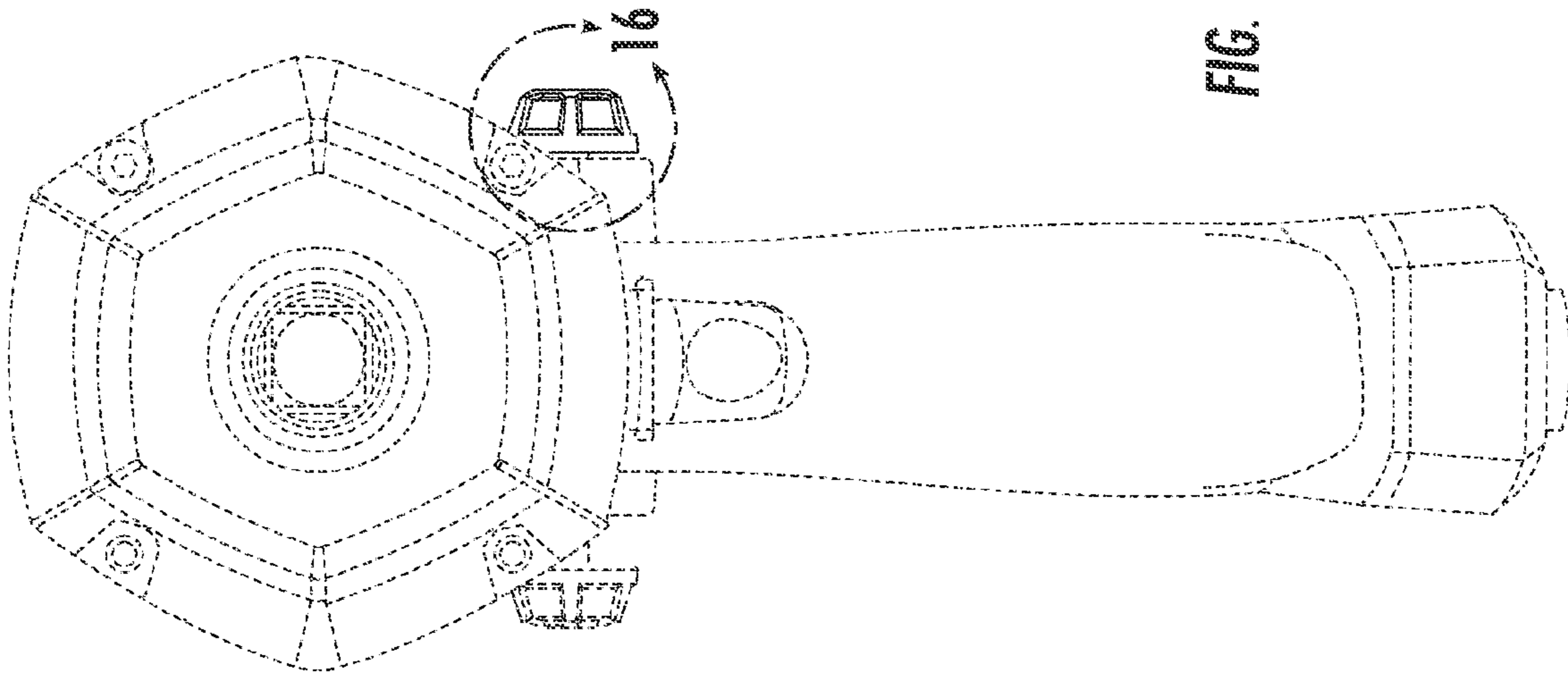


FIG. 15

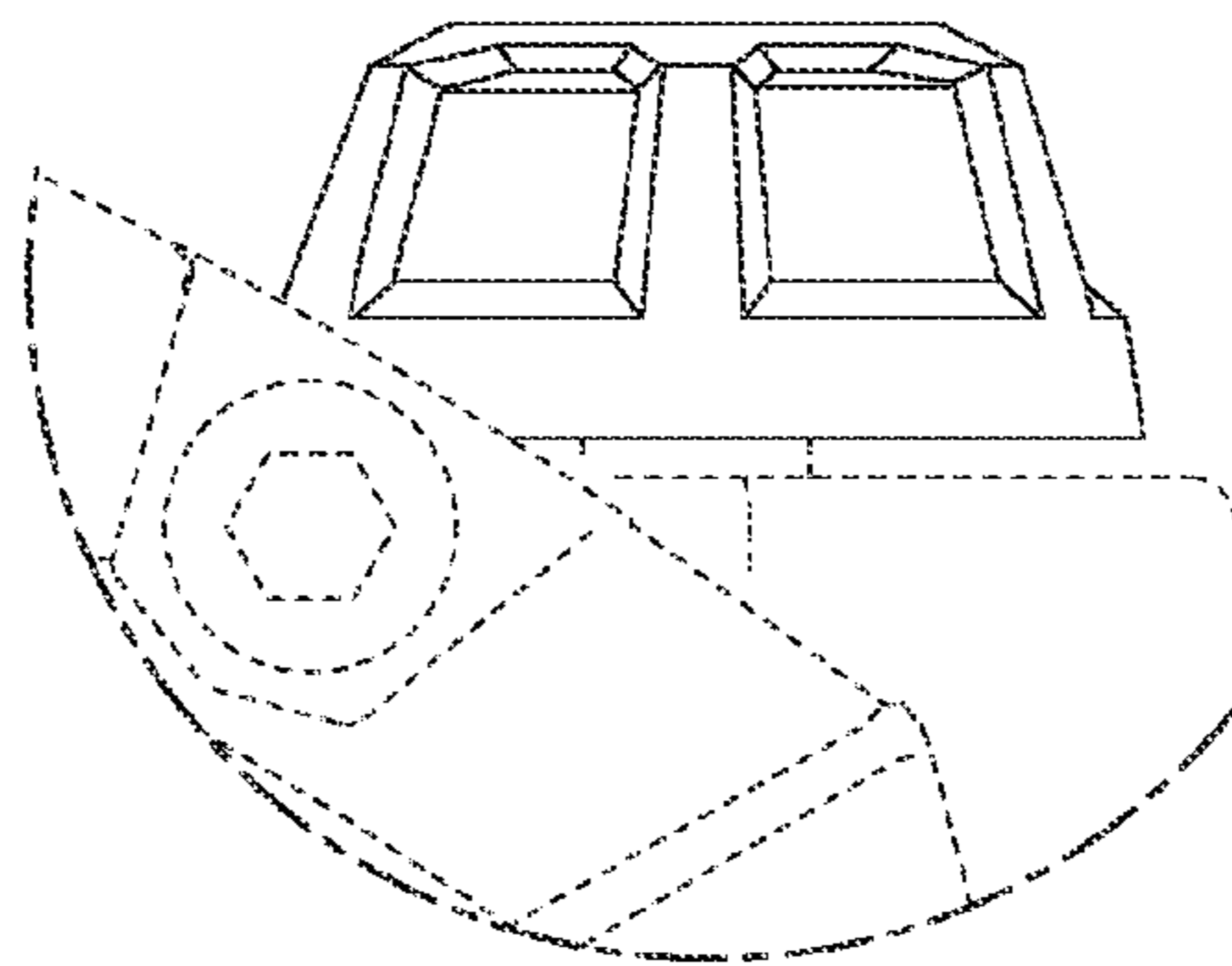
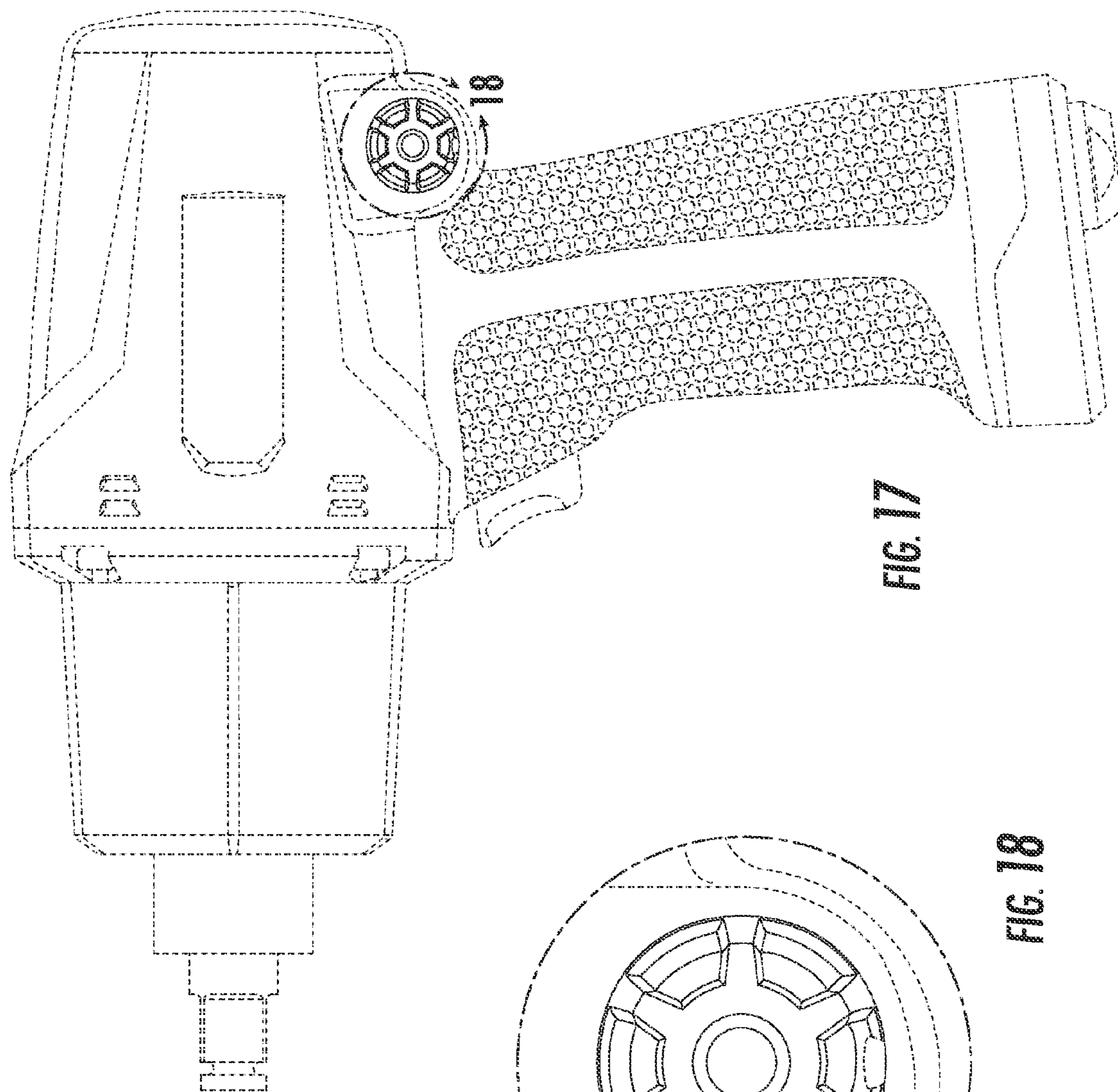


FIG. 16





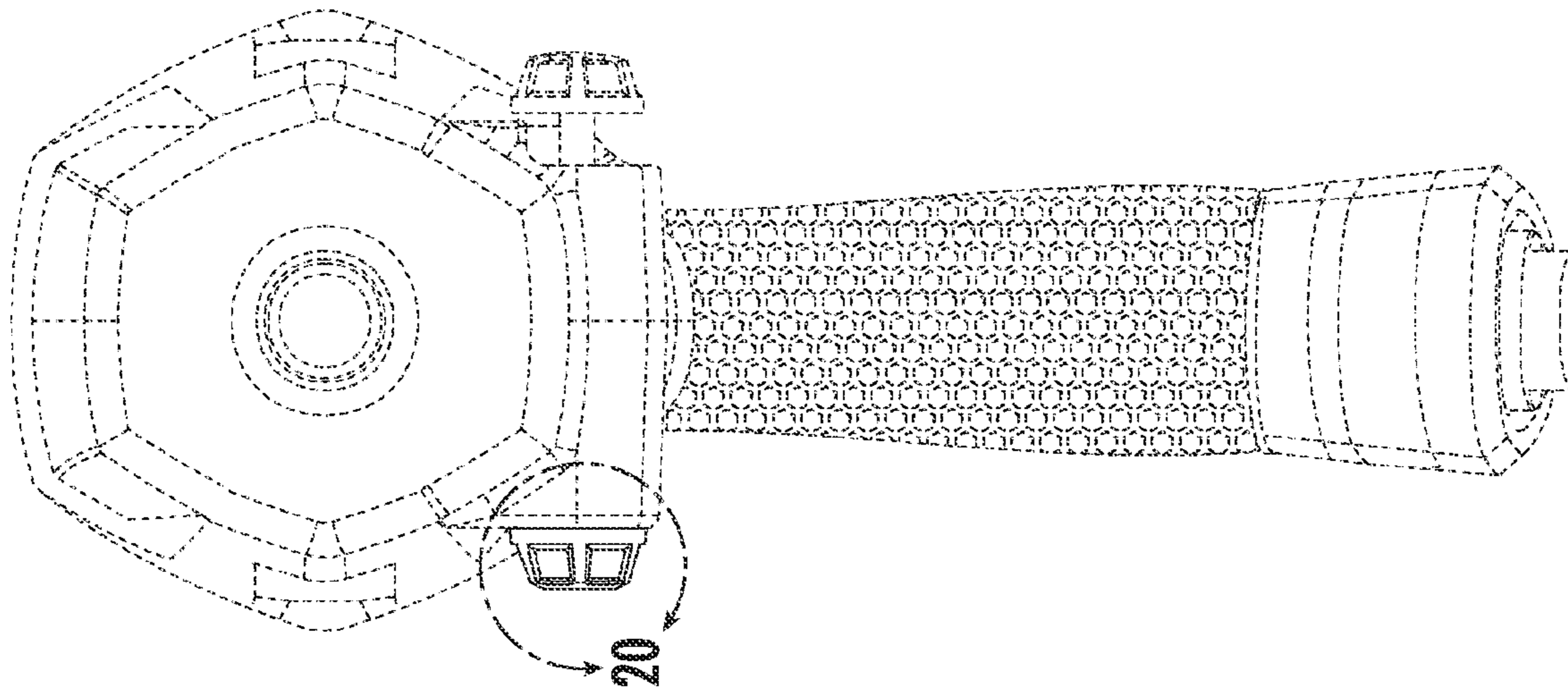


FIG. 19

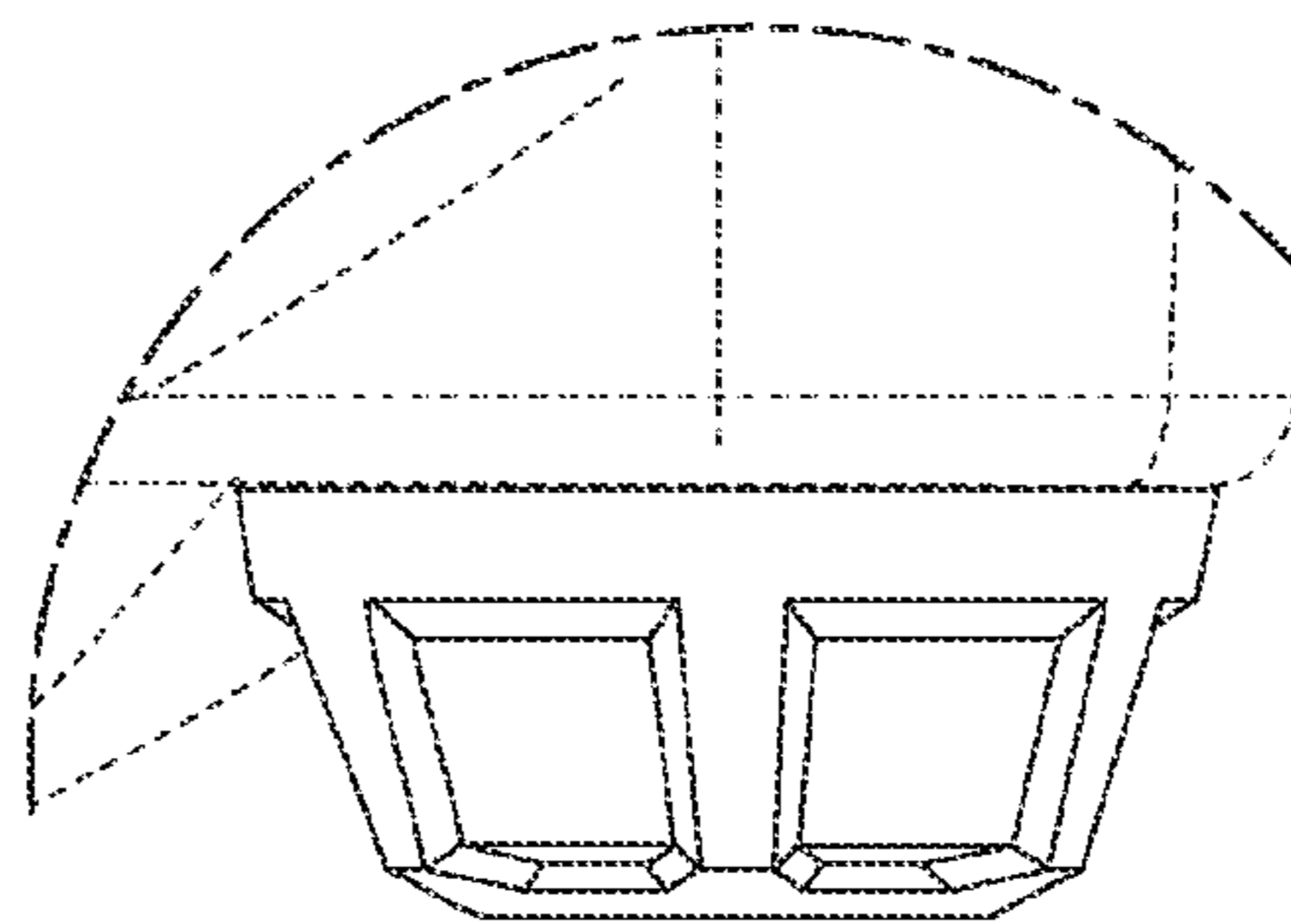


FIG. 20

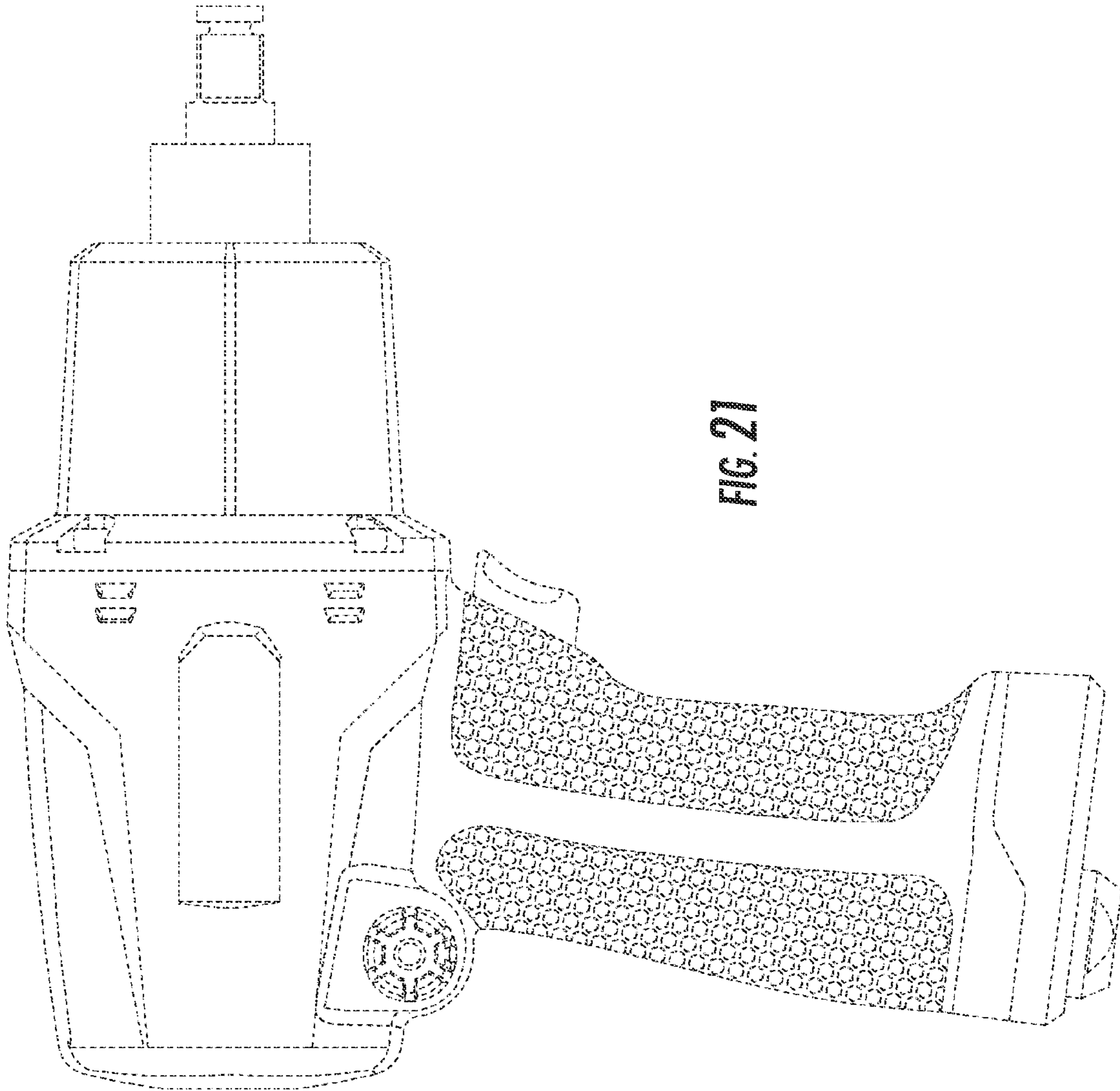


FIG. 21

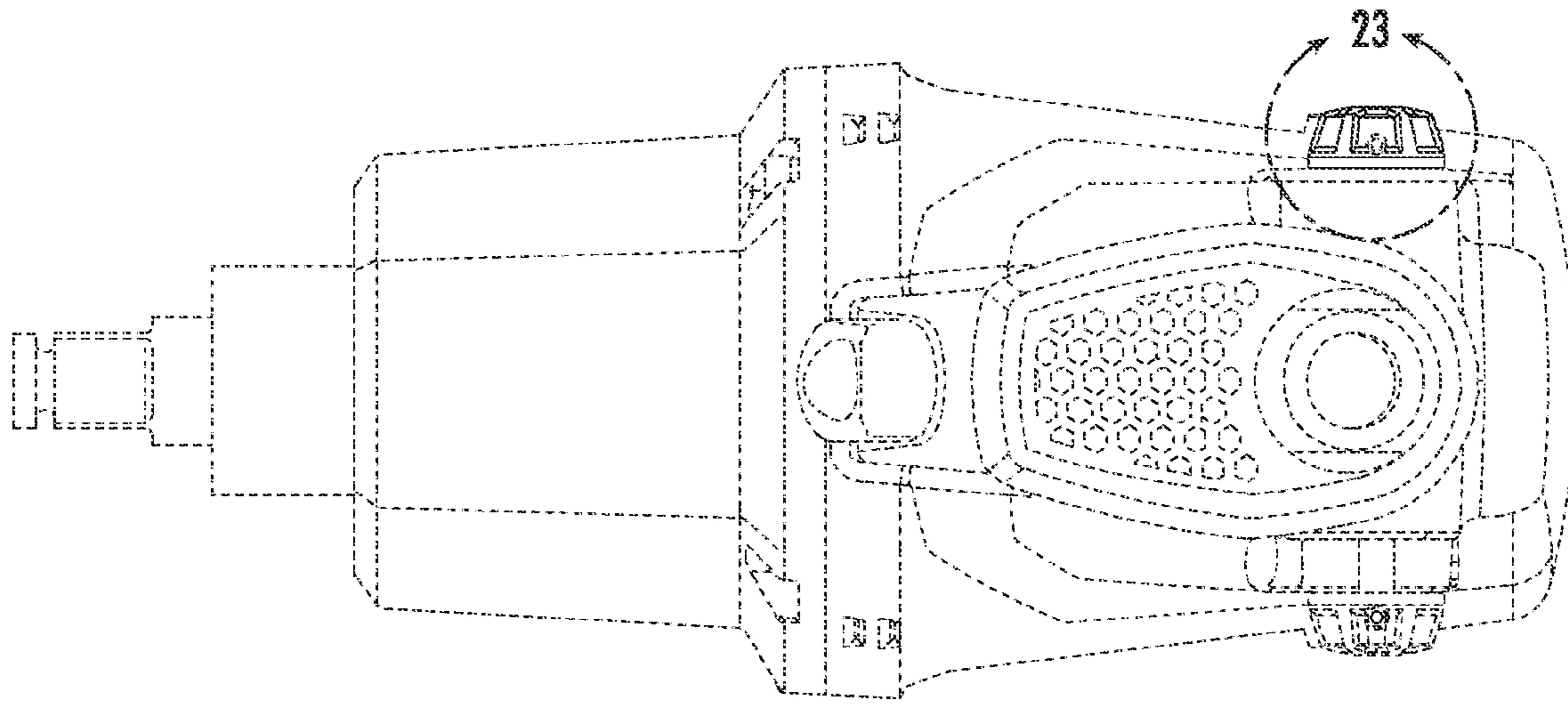


FIG. 22

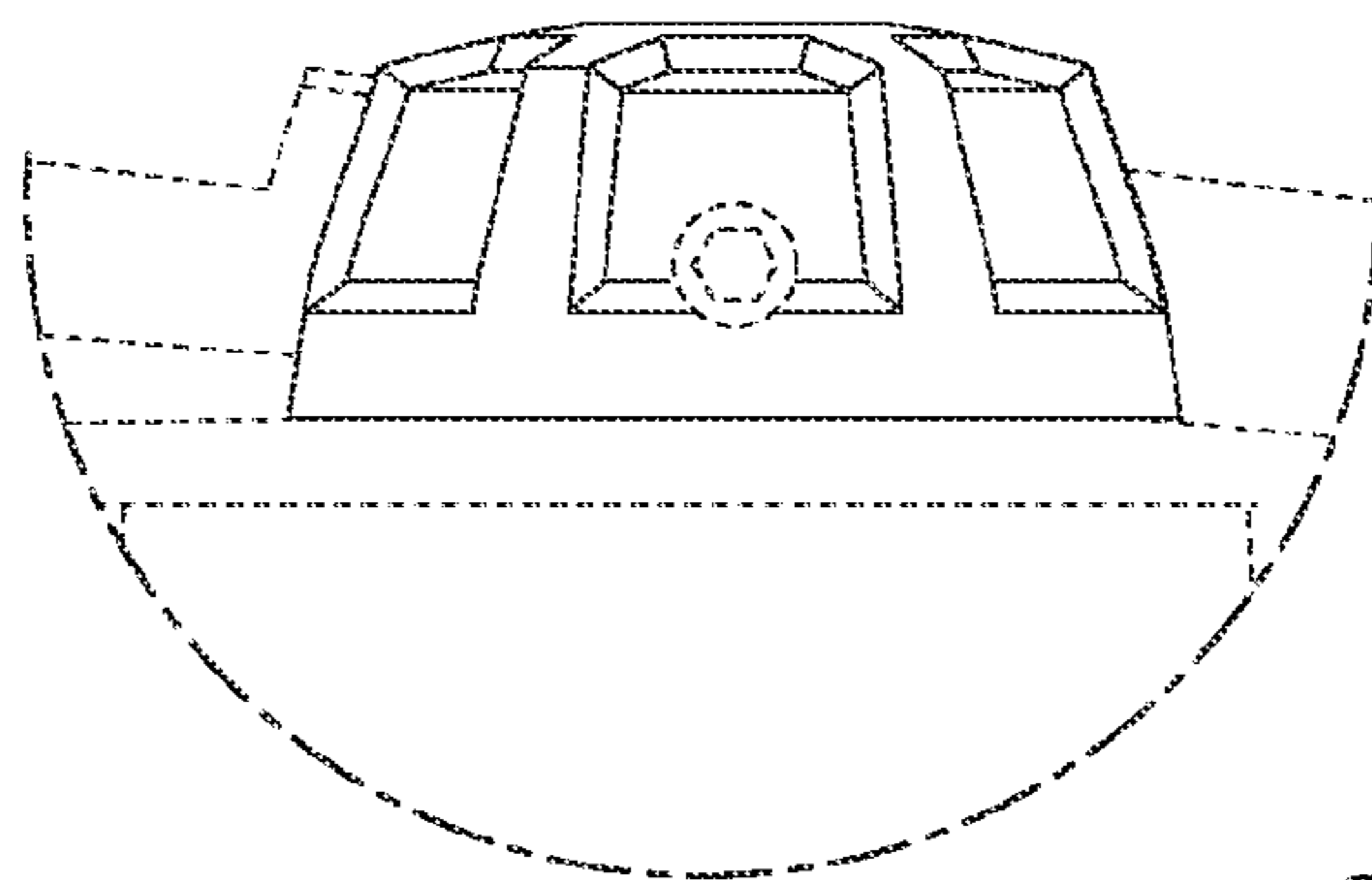


FIG. 23

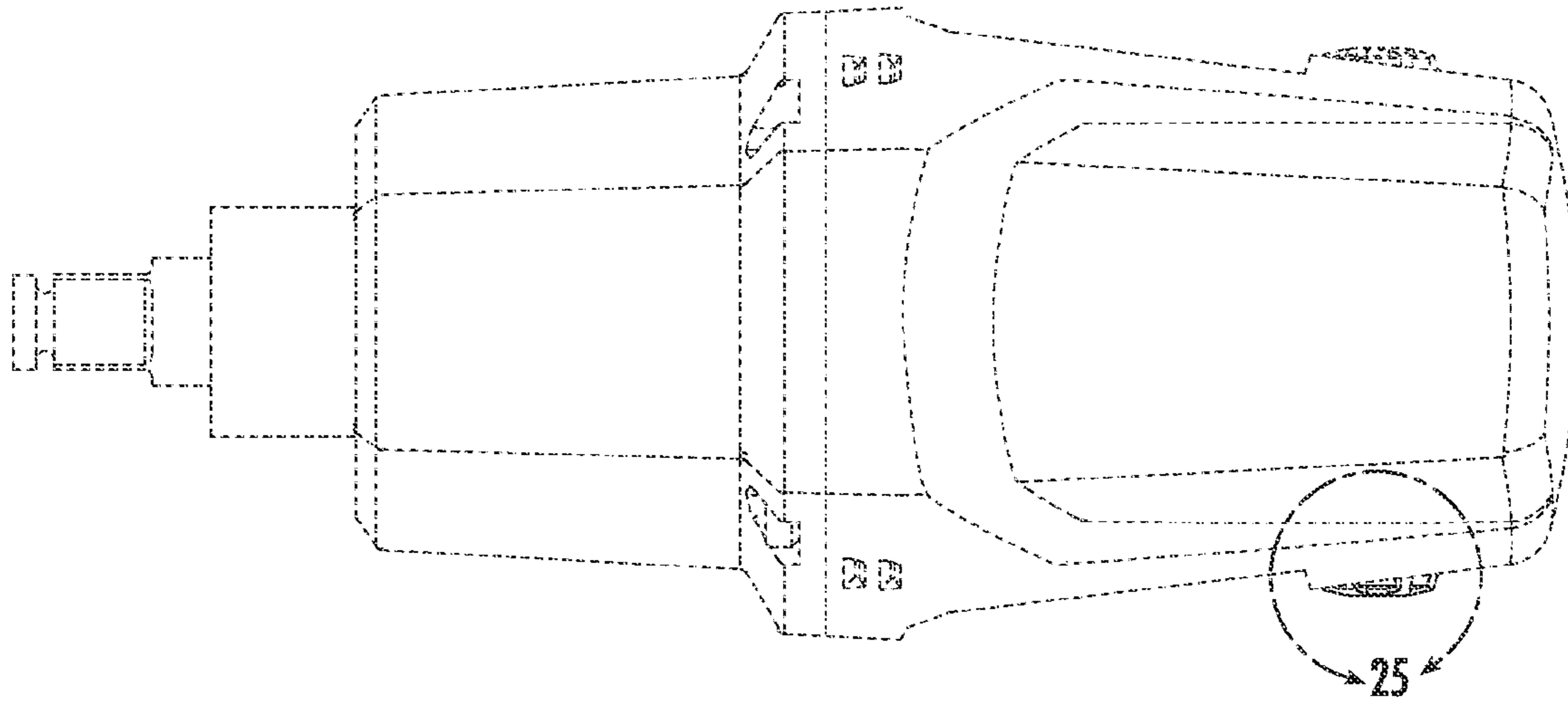


FIG. 24

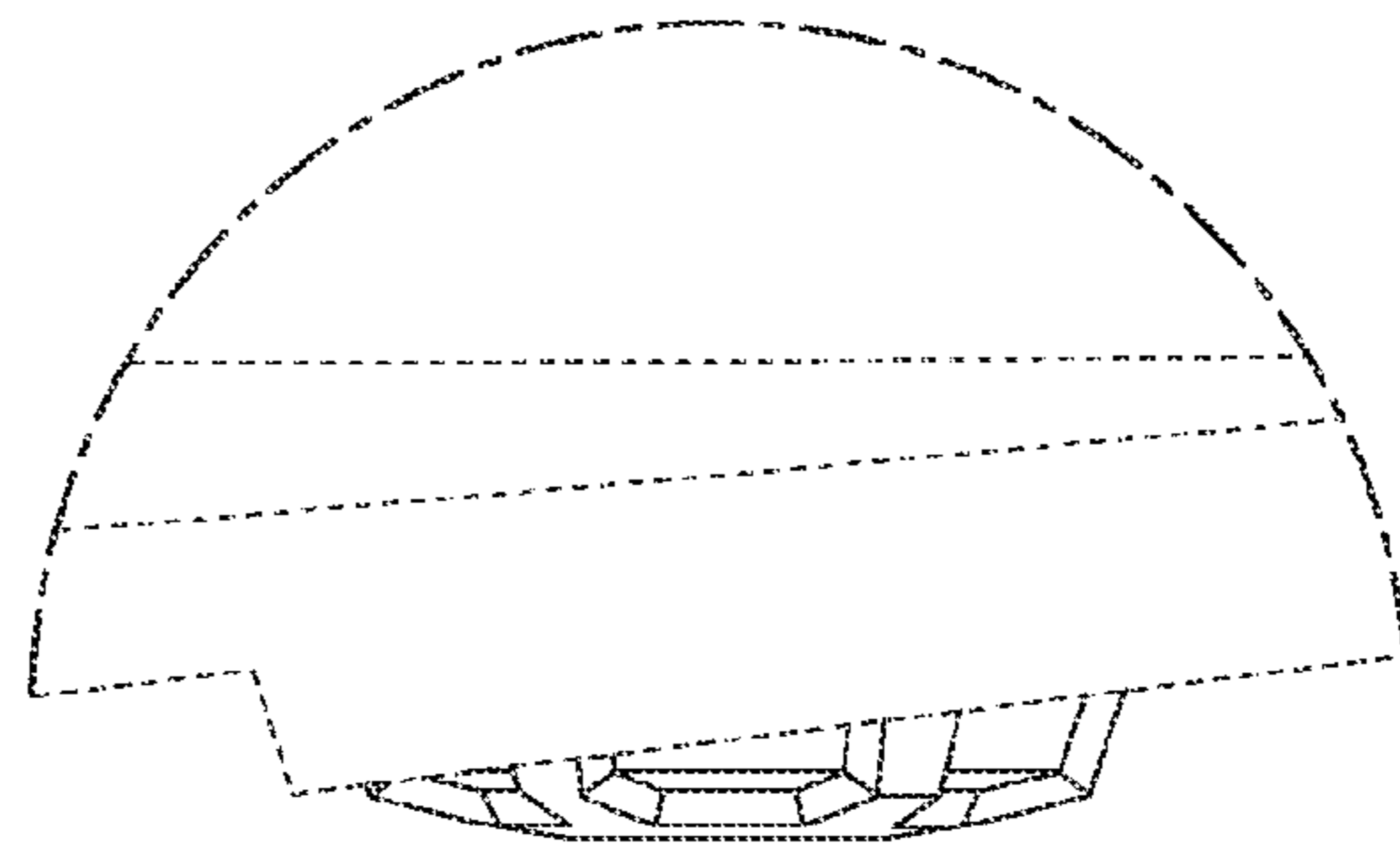


FIG. 25