



US00D620775S

(12) **United States Design Patent**
Stratford et al.

(10) **Patent No.:** **US D620,775 S**

(45) **Date of Patent:** **** *Aug. 3, 2010**

(54) **SANDER**

(75) Inventors: **Mark Stratford**, Darlington (GB);
Derek Muir, Durham (GB)

(73) Assignee: **Black & Decker Inc.**, Newark, DE (US)

(*) Notice: This patent is subject to a terminal disclaimer.

(**) Term: **14 Years**

(21) Appl. No.: **29/264,464**

(22) Filed: **Aug. 10, 2006**

(30) **Foreign Application Priority Data**

Feb. 10, 2006 (EM) 000477732

(51) **LOC (9) Cl.** **08-01**

(52) **U.S. Cl.** **D8/62**

(58) **Field of Classification Search** D8/67,
D8/62, 61, 70; D32/15, 17, 19; D4/102;
451/456, 451, 359, 358, 357, 356, 355, 364,
451/344; 144/154.5, 373; 30/475

See application file for complete search history.

(56) **References Cited**

U.S. PATENT DOCUMENTS

D413,779 S * 9/1999 Hayakawa et al. D8/62
D453,668 S * 2/2002 Pretzell D8/62
D478,261 S * 8/2003 Sham D8/62
D487,008 S * 2/2004 Andriolo D8/62
D503,600 S * 4/2005 Bian D8/62

D526,549 S * 8/2006 Aglassinger D8/62
D527,235 S * 8/2006 Aglassinger D8/62
D530,579 S * 10/2006 Waldron D8/62
D555,449 S * 11/2007 Waldron D8/62
D570,173 S * 6/2008 O'Hern D8/62
D592,025 S * 5/2009 Snowball D8/62
D598,261 S * 8/2009 Waldron D8/62
D601,874 S * 10/2009 Hayakawa et al. D8/62

* cited by examiner

Primary Examiner—Cathron C Brooks

Assistant Examiner—Austin Murphy

(74) *Attorney, Agent, or Firm*—Stephen R. Valancius; Bruce S. Shapiro

(57) **CLAIM**

The ornamental design for a sander, as shown and described.

DESCRIPTION

FIG. 1 is a rear perspective view of a sander according to the present invention;

FIG. 2 is a front view of the sander of FIG. 1;

FIG. 3 is a rear view of the sander of FIG. 1;

FIG. 4 is a right hand side view of the sander of FIG. 1;

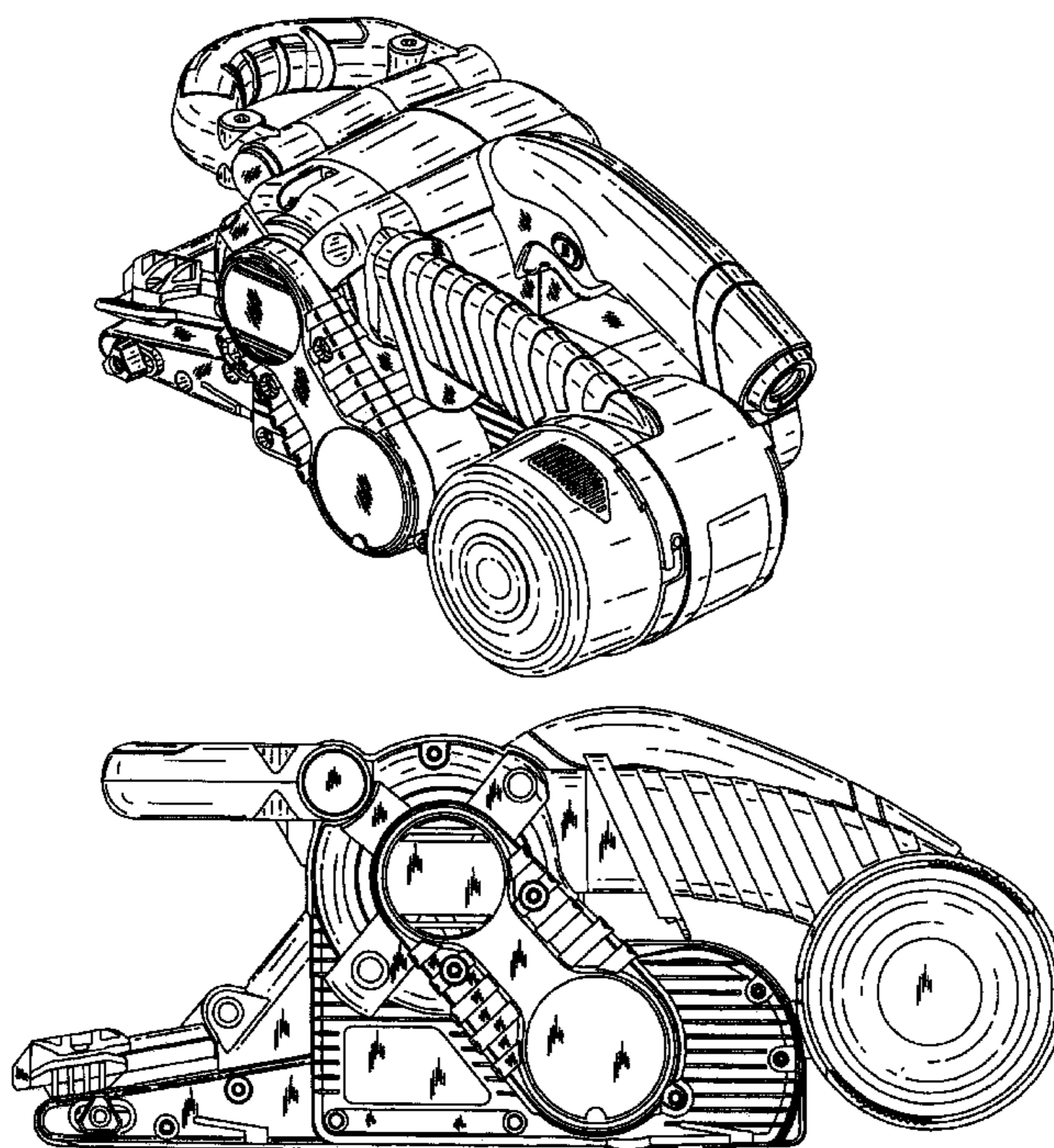
FIG. 5 is a left hand side view of the sander of FIG. 1;

FIG. 6 is a plan view of the sander of FIG. 1; and,

FIG. 7 is a bottom view of the sander of FIG. 1.

The broken lines shown in the drawings represent portions of the sander that form no part of the claimed design.

1 Claim, 6 Drawing Sheets



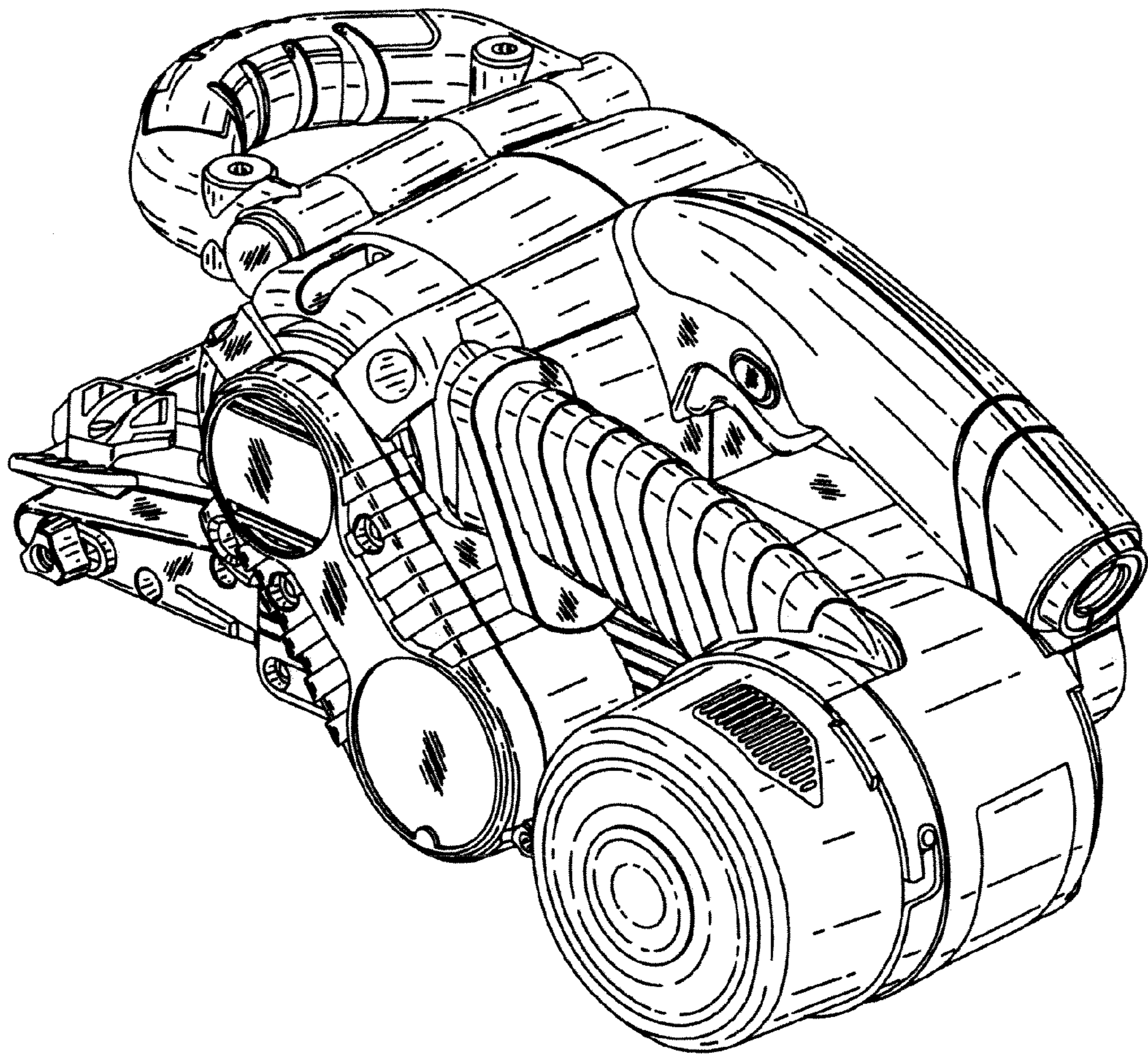


FIG. 1



FIG. 2

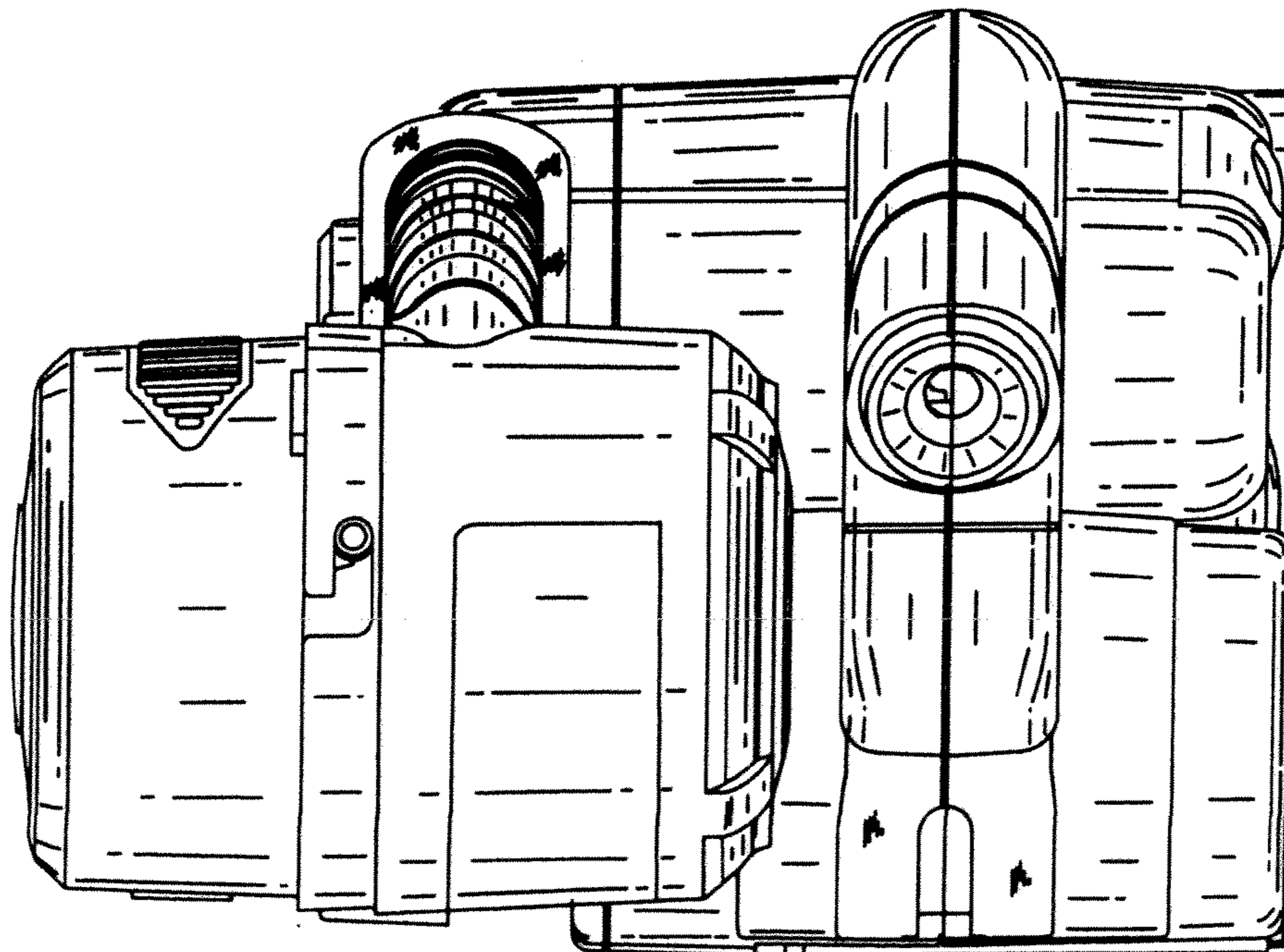


FIG. 3

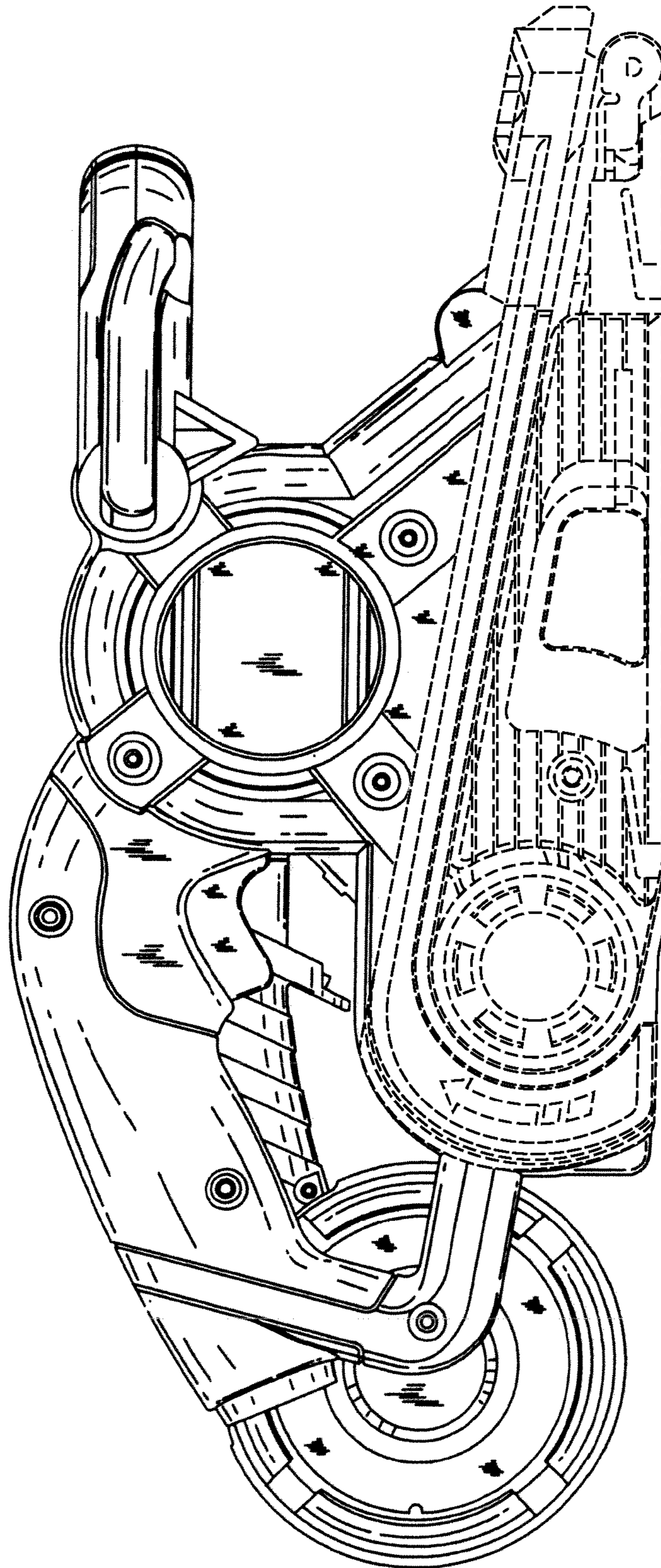


FIG.4

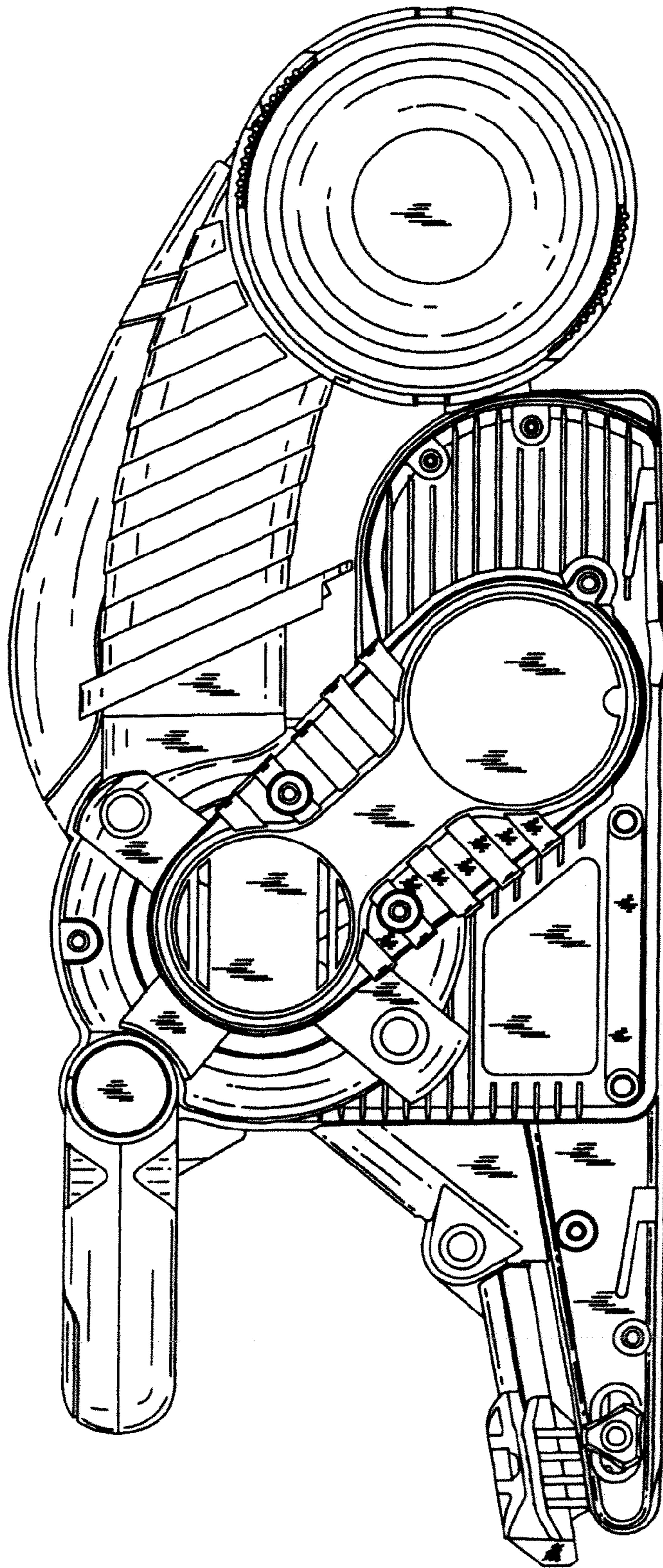


FIG.5

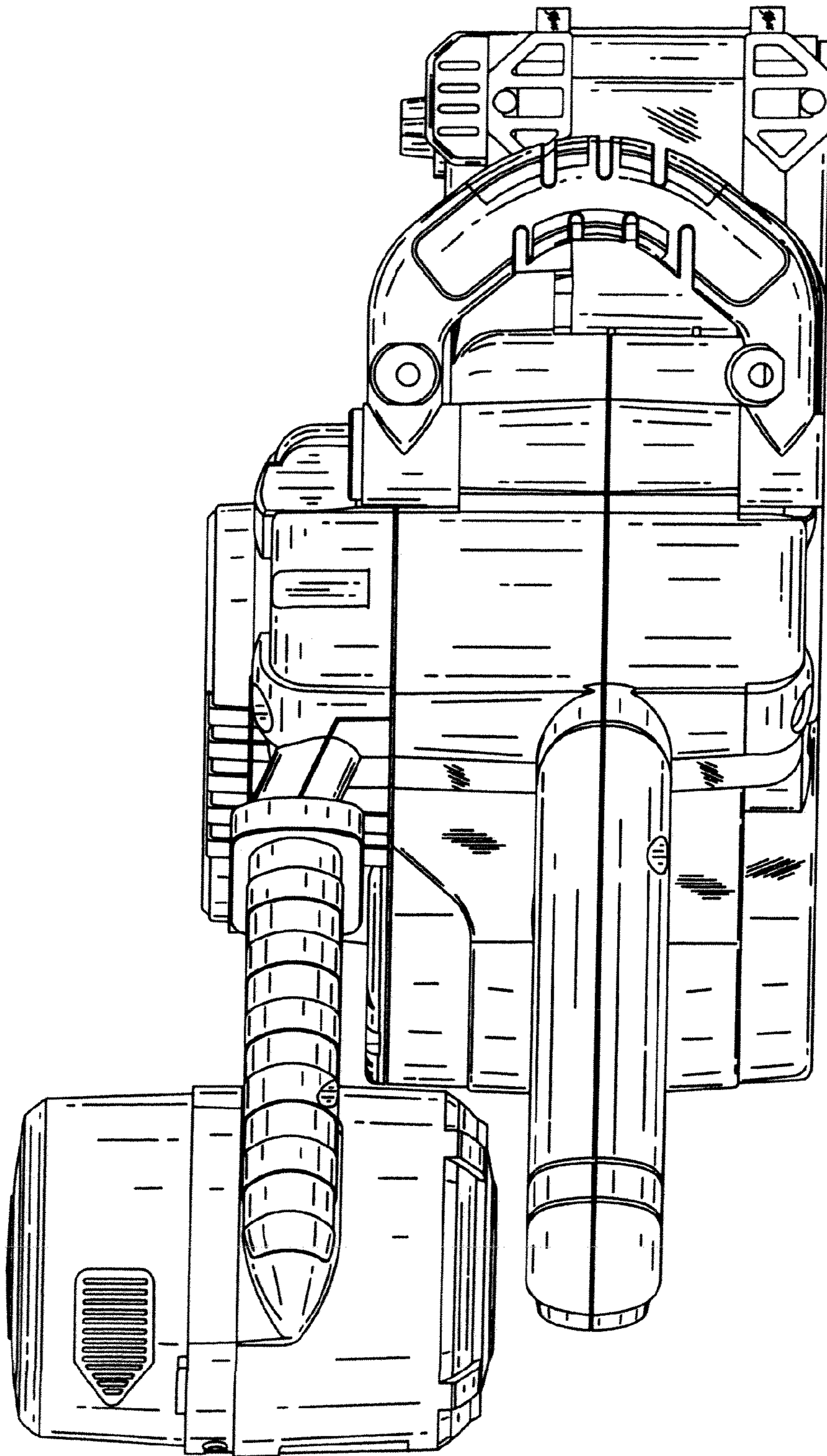


FIG. 6

