



US00D620773S

(12) **United States Design Patent**
Castro

(10) **Patent No.:** **US D620,773 S**

(45) **Date of Patent:** **** Aug. 3, 2010**

(54) **WIRE CUTTER**

(75) Inventor: **Jeffrey B. Castro**, Portland, OR (US)

(73) Assignee: **Leatherman Tool Group, Inc.**,
Portland, OR (US)

(**) Term: **14 Years**

(21) Appl. No.: **29/335,352**

(22) Filed: **Apr. 14, 2009**

(51) **LOC (9) Cl.** **08-03**

(52) **U.S. Cl.** **D8/20; D8/52**

(58) **Field of Classification Search** D8/5,
D8/16, 19, 20, 52-55, 57, 60, 64, 66, 70,
D8/90-99; D15/127, 133, 138, 139; D22/117,
D22/118; D24/146, 147; 7/118, 148; 30/142,
30/144, 165, 166.3, 272.1, 314, 320, 346,
30/346.5, 346.55, 346.56, 346.6, 349, 351,
30/355, 357

See application file for complete search history.

(56) **References Cited**

U.S. PATENT DOCUMENTS

D402,514 S *	12/1998	Killins	D8/16
D404,621 S *	1/1999	Liese	D8/16
D429,131 S *	8/2000	Rivera	D8/58
D479,970 S *	9/2003	Hutchinson	D8/88
7,020,922 B2 *	4/2006	Rivera	7/128
D519,798 S *	5/2006	Dallas	D8/20
7,039,974 B2 *	5/2006	Berg	7/128
D571,181 S	6/2008	Klecker et al.		
D584,931 S *	1/2009	Richardson	D8/19

OTHER PUBLICATIONS

Leatherman Super Tool®, Innovative Heavy-Duty Capabilities for the Pro—1 pg. <http://www.leatherman.com/multi-tools/retired-products/super-tool.aspx> website visited Mar. 23, 2009.

Leatherman Super Tool® 200, Comfortable Handles and a Sliding Locking Mechanism—1 pg. <http://www.leatherman.com/multi-tools/retired-products/super-tool-200.aspx> website visited Mar. 23, 2009.

Leatherman Super Tool® 200, Comfortable Handles and a Sliding Locking Mechanism (different view)—1 pg. <http://www.leatherman.com/multi-tools/retired-products/super-tool-200.aspx> website visited Mar. 23, 2009.

Leatherman Super Tool® 200 User Guide—2 pgs.
Gerber 48252 Carbide Cutter Insert Replacement—1 pg. http://www.amazon.com/gp/product/images/B000646X42/ref=dp_image0?ie=UTF8&n=228013&s=hi website visited Apr. 16, 2009.

* cited by examiner

Primary Examiner—Caron Veynar

Assistant Examiner—Garth Rademaker

(74) *Attorney, Agent, or Firm*—Alston & Bird LLP

(57) **CLAIM**

The ornamental design for a wire cutter, as shown and described.

DESCRIPTION

FIG. 1 is a perspective view of a wire cutter according to my new design;

FIG. 2 is a top plan view thereof;

FIG. 3 is a bottom plan view thereof;

FIG. 4 is a left side elevation view thereof;

FIG. 5 is a right side elevation view thereof;

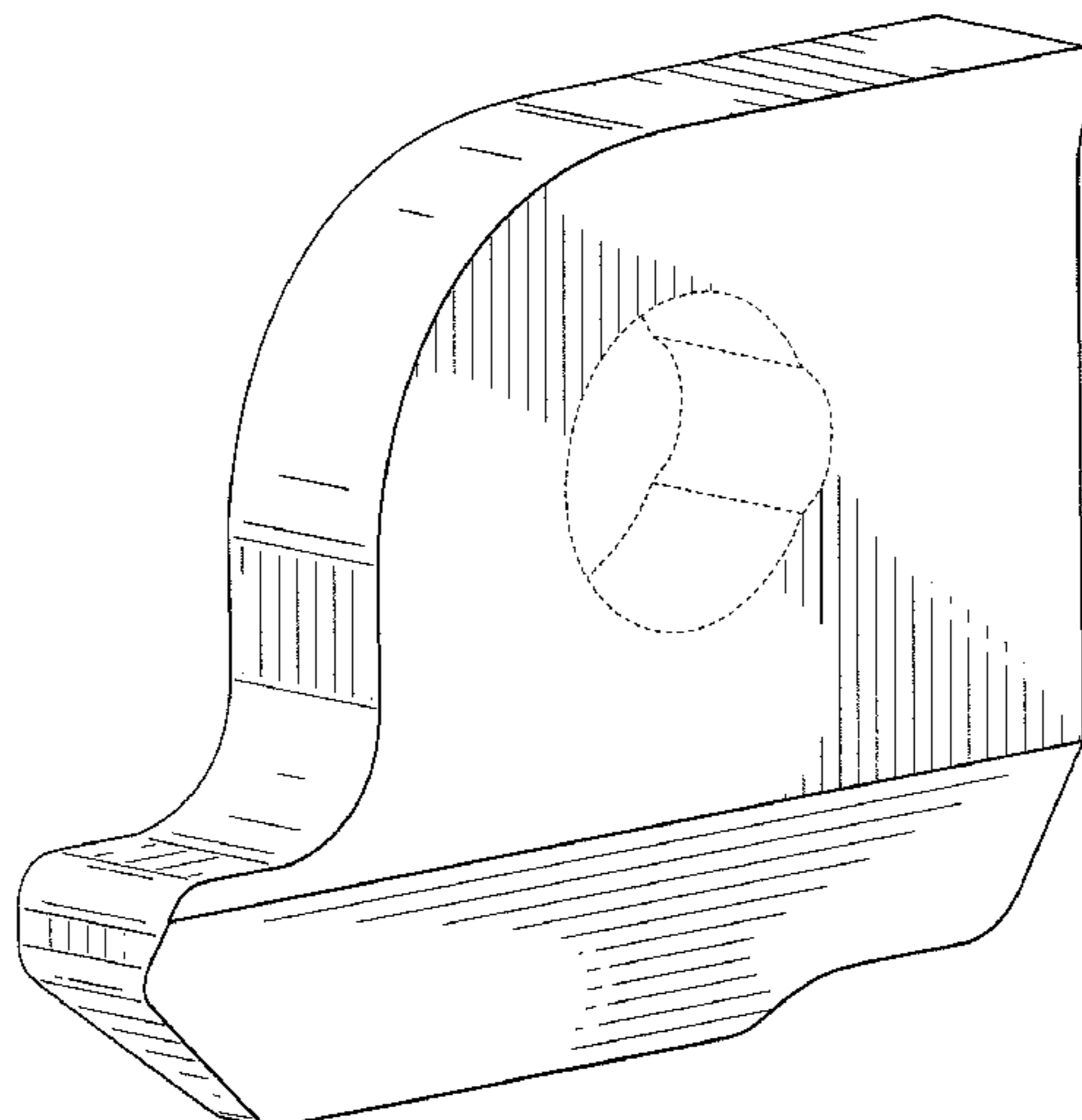
FIG. 6 is a rear elevation view thereof;

FIG. 7 is a front elevation view thereof; and,

FIG. 8 is another top plain view thereof shown with a hand tool.

The broken lines of FIGS. 1-7 define the bounds and form no part of the claimed design. The broken lines of FIG. 8 illustrate environmental structure and form no part of the claimed design.

1 Claim, 6 Drawing Sheets



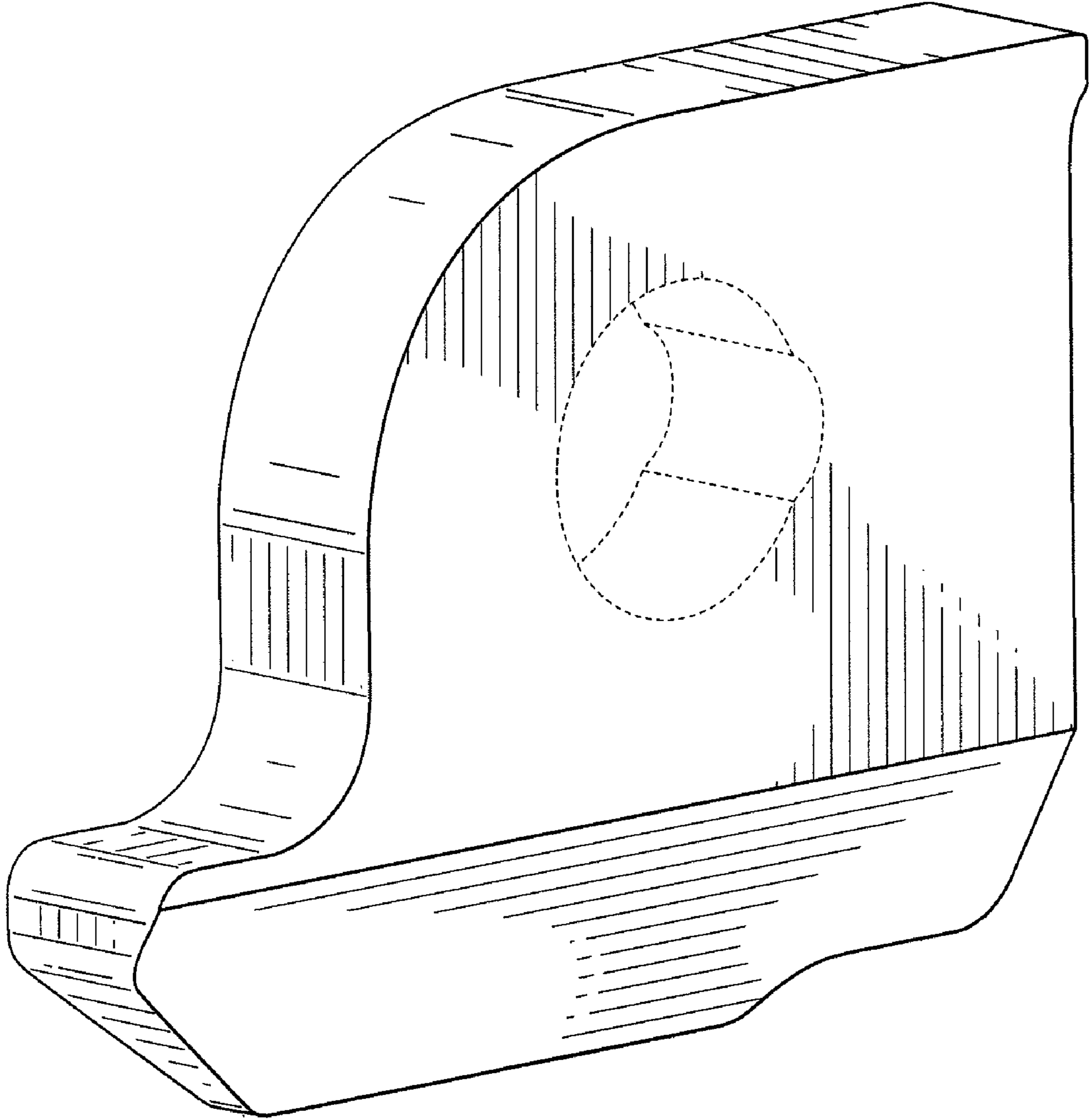


FIG. 1

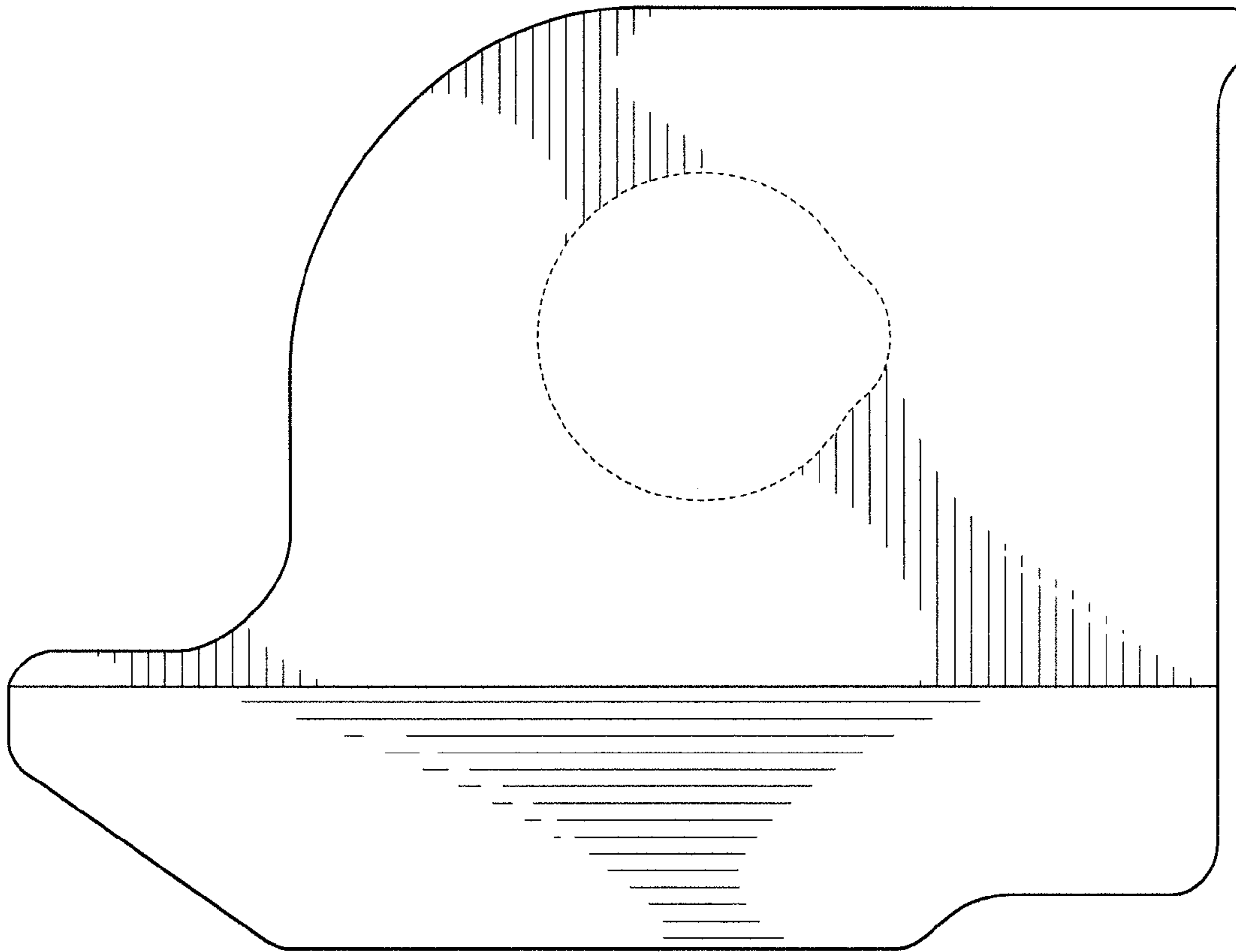


FIG. 2

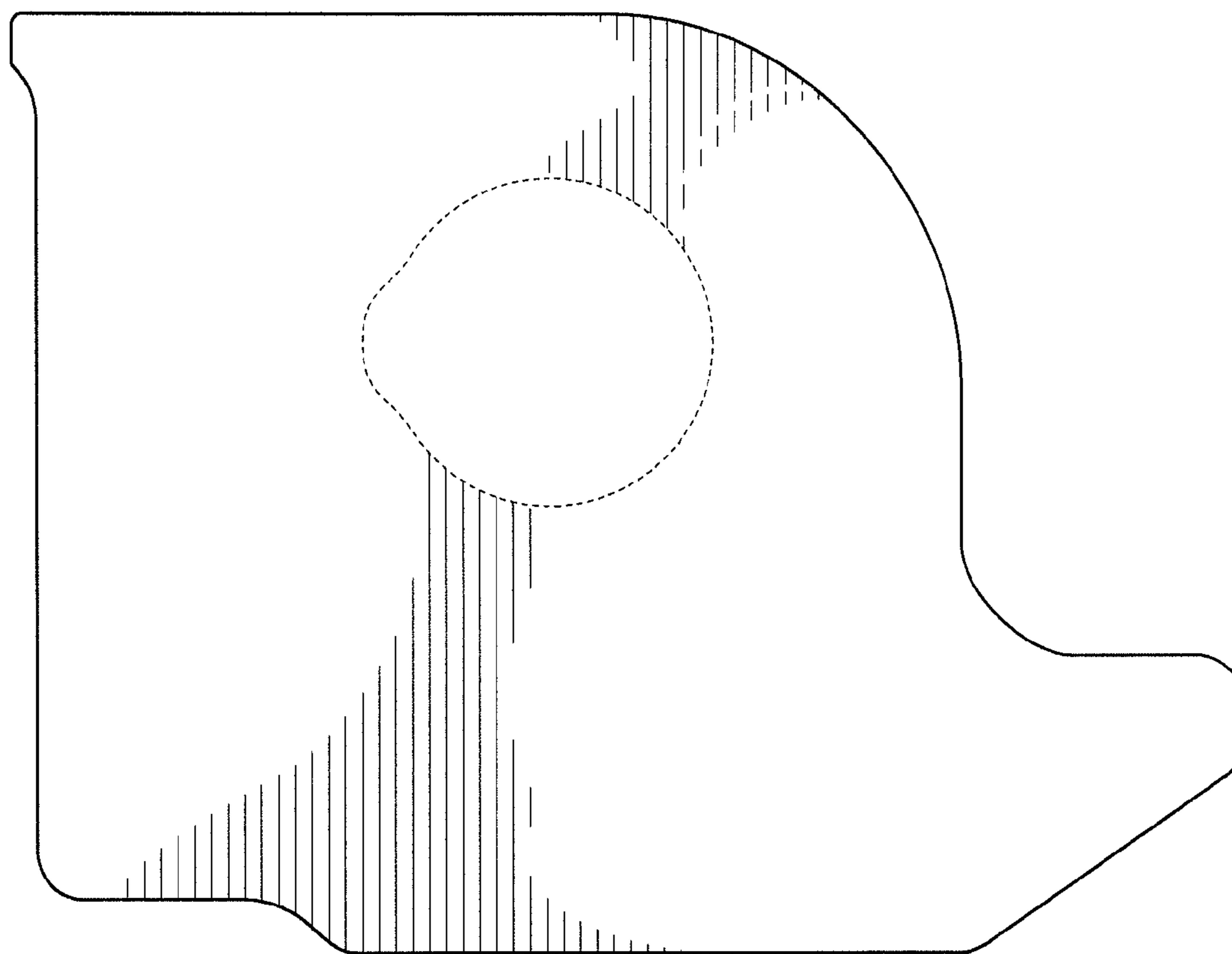


FIG. 3

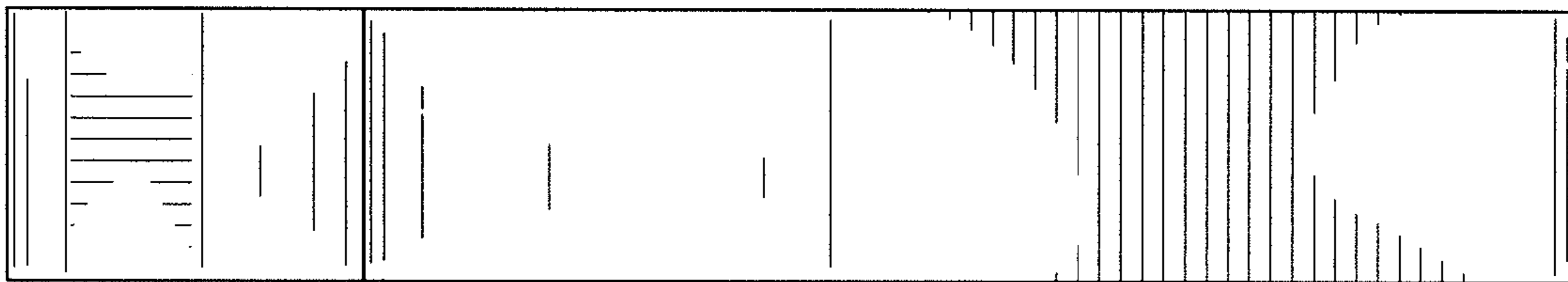


FIG. 4

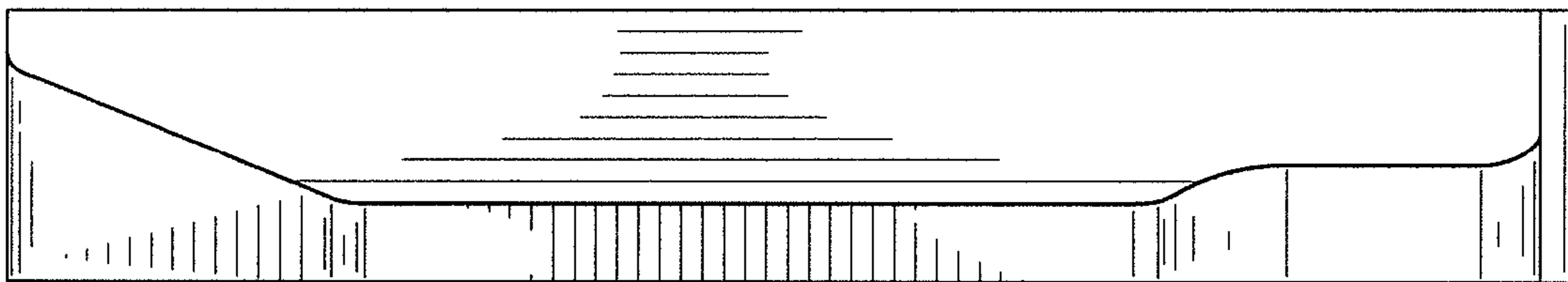


FIG. 5

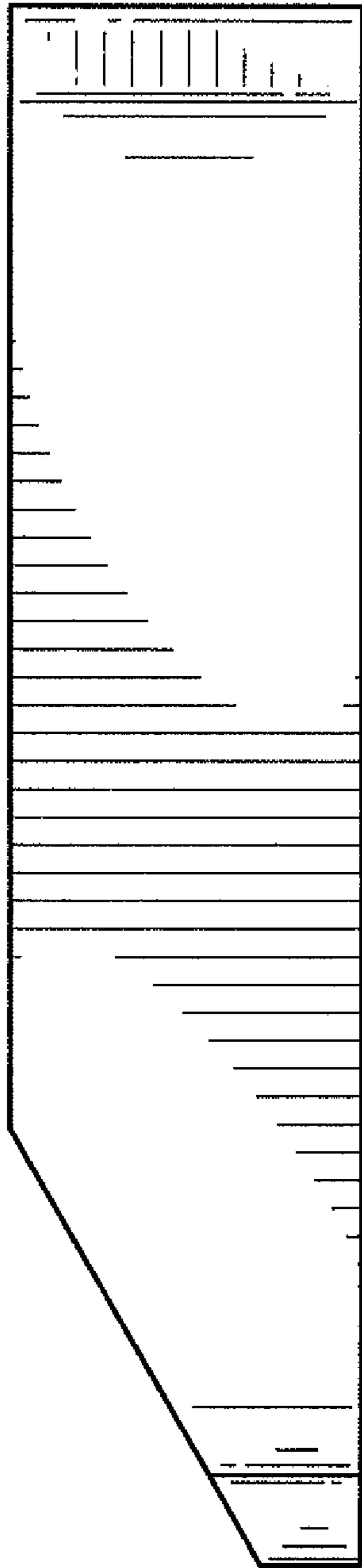


FIG. 6

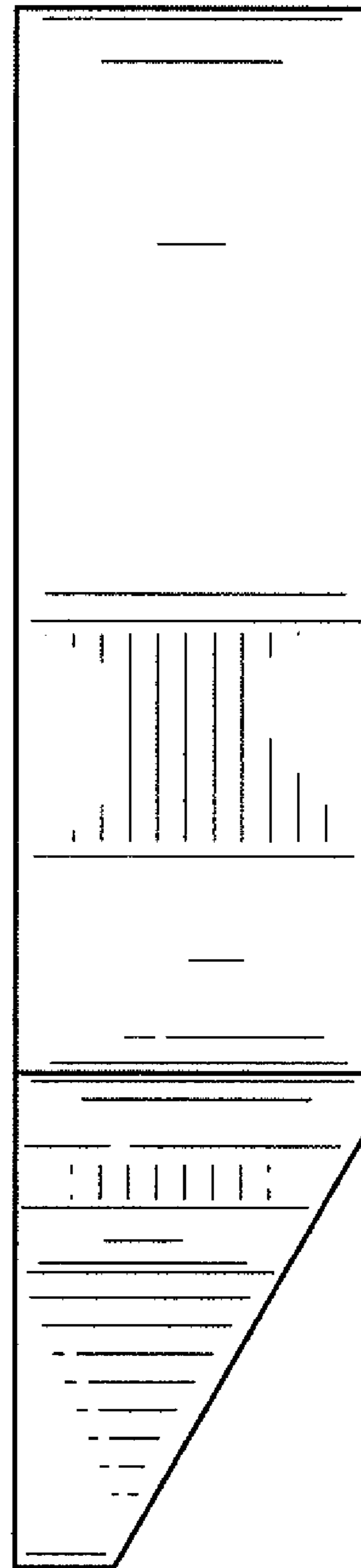


FIG. 7

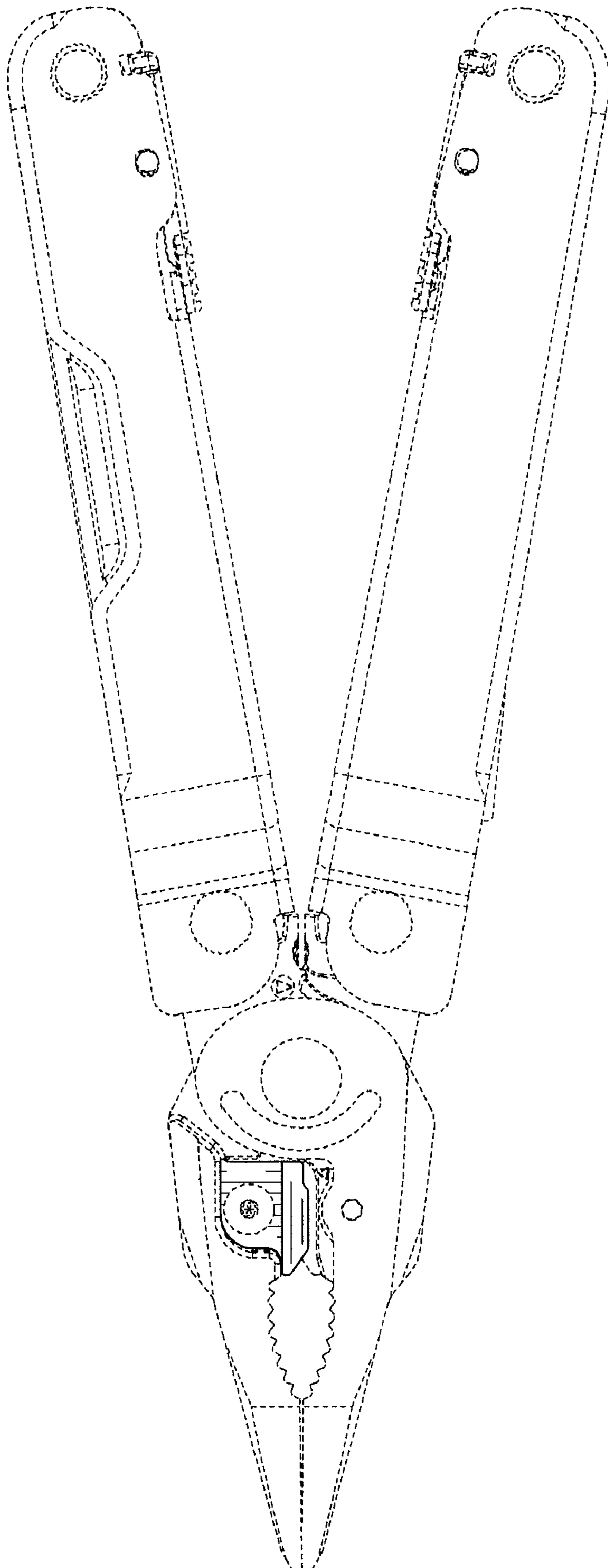


FIG. 8