



US00D620770S

(12) **United States Design Patent**
Weigand

(10) **Patent No.:** **US D620,770 S**

(45) **Date of Patent:** **** Aug. 3, 2010**

(54) **HERBICIDE APPLYING LOPPERS**

(76) **Inventor:** **Jesse C. Weigand**, 2590 Whitehall Neck Rd., Smyrna, DE (US) 19977

(**) **Term:** **14 Years**

(21) **Appl. No.:** **29/316,370**

(22) **Filed:** **Sep. 21, 2009**

(51) **LOC (9) Cl.** **08-01**

(52) **U.S. Cl.** **D8/5**

(58) **Field of Classification Search** D8/4, D8/5; 30/251, 252, 261, 262, 123.3; 47/1.7
See application file for complete search history.

(56) **References Cited**

U.S. PATENT DOCUMENTS

4,783,907	A	11/1988	Ravaux	
4,910,870	A *	3/1990	Chang	30/192
5,088,198	A	2/1992	Drusiani	
D344,219	S *	2/1994	Wensley et al.	D8/5
D356,719	S *	3/1995	Choi	D8/5
D357,390	S *	4/1995	Thompson et al.	D8/5
5,606,822	A	3/1997	Dearhammer	
D386,369	S *	11/1997	Lin	D8/5
D395,581	S *	6/1998	Chai et al.	D8/5
D405,663	S *	2/1999	Deville	D8/5
D413,052	S *	8/1999	Staton	D8/5
6,128,850	A	10/2000	Duffy	

D444,043	S *	6/2001	Choi	D8/5
D464,543	S *	10/2002	Deville	D8/5
D464,855	S *	10/2002	Clivio	D8/5
D478,255	S *	8/2003	Deville	D8/5
D494,430	S *	8/2004	Lin	D8/5
D500,941	S *	1/2005	Tatic	D8/5
D500,942	S *	1/2005	Lai	D8/5
D501,765	S *	2/2005	Tatic	D8/5
D502,068	S *	2/2005	Tatic	D8/5
D510,002	S *	9/2005	Lai	D8/5
D578,360	S *	10/2008	Nellenbach et al.	D8/4
D606,816	S *	12/2009	Deville	D8/5

* cited by examiner

Primary Examiner—Holly H Baynham

Assistant Examiner—Sheryl Lane

(74) *Attorney, Agent, or Firm*—Paul R. Martin

(57) **CLAIM**

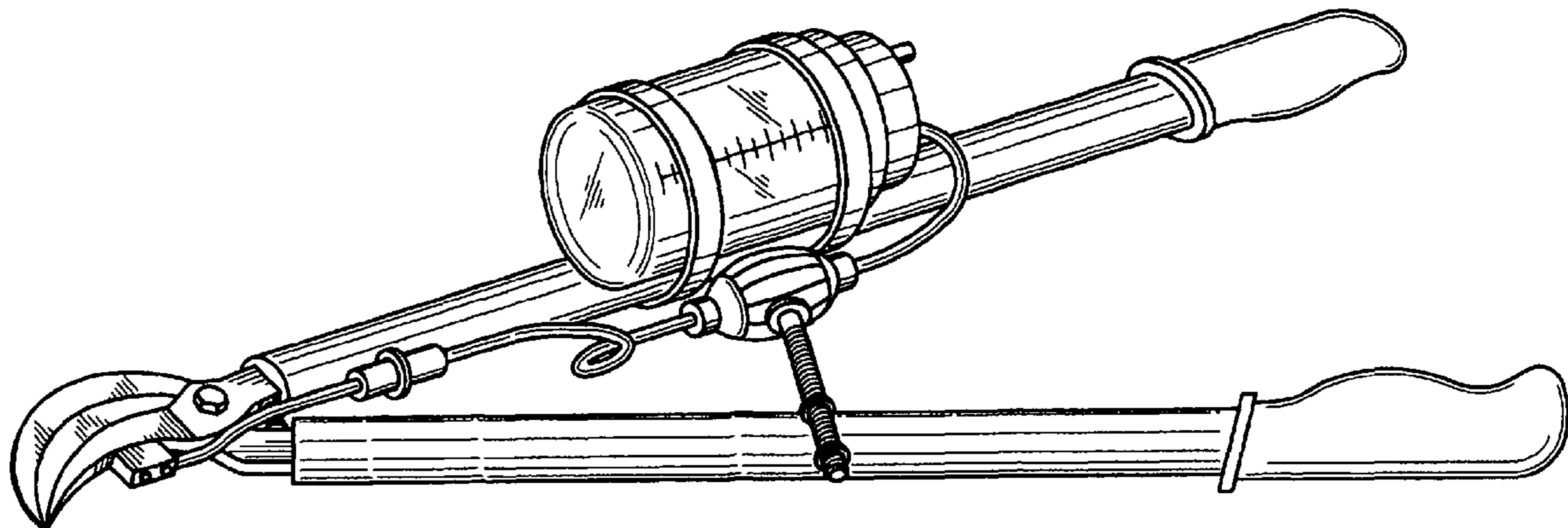
The ornamental design for herbicide applying loppers, as shown and described.

DESCRIPTION

FIG. 1 is a perspective view from the top of the loppers of this invention; and,

FIG. 2 is a perspective view from the bottom of the loppers of this invention.

1 Claim, 2 Drawing Sheets



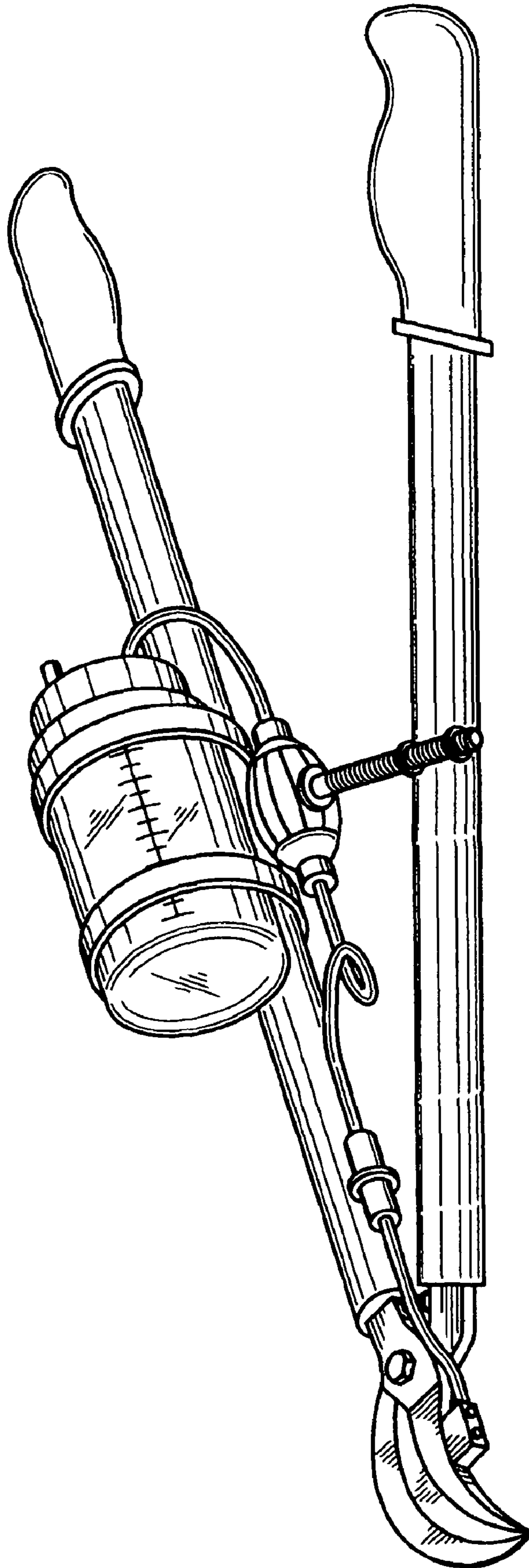


FIG. 1

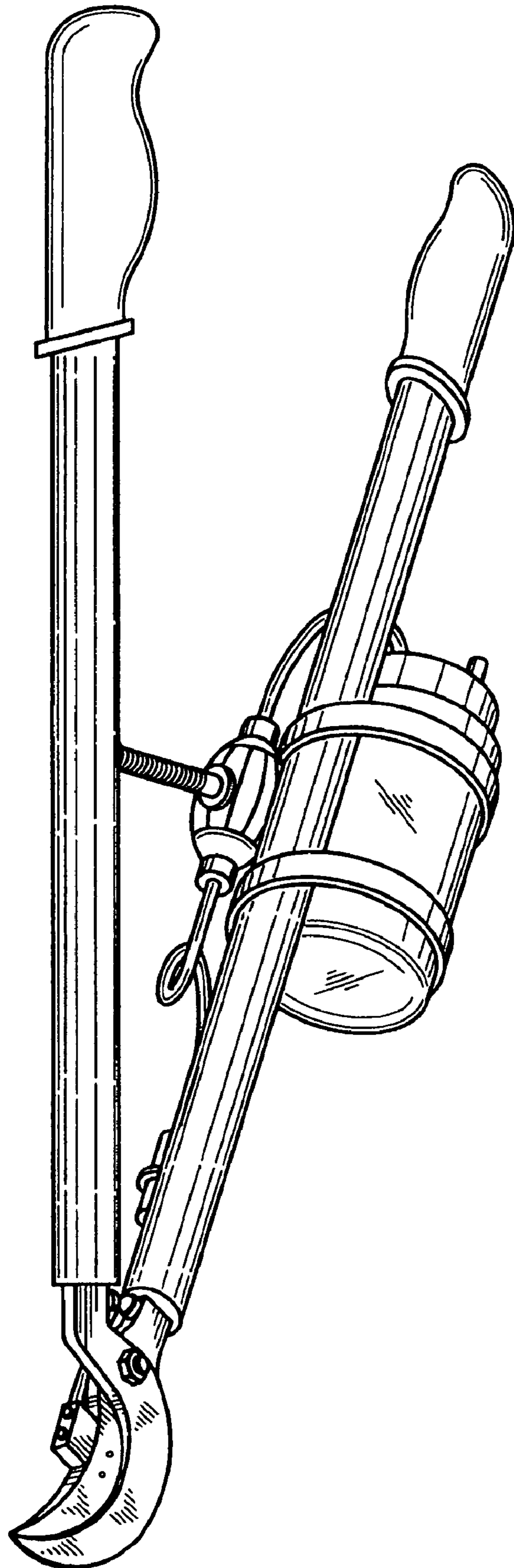


FIG. 2