

US00D620766S

(12) **United States Design Patent**
Sudia

(10) **Patent No.:** **US D620,766 S**

(45) **Date of Patent:** **** Aug. 3, 2010**

(54) **REUSABLE PIZZA CONTAINER**

(76) Inventor: **Michael T. Sudia**, 416 Antelope Ridge Way, Danville, CA (US) 94506

(**) Term: **14 Years**

(21) Appl. No.: **29/316,717**

(22) Filed: **Oct. 23, 2009**

(51) **LOC (9) Cl.** **07-07**

(52) **U.S. Cl.** **D7/629**

(58) **Field of Classification Search** D7/629,
D7/602, 630, 601; D9/426, 416, 414, 430-432;
229/406, 103.11, 178, 902, 903, 906, 199,
229/120.18, 120.13, 120.17

See application file for complete search history.

(56) **References Cited**

U.S. PATENT DOCUMENTS

4,237,171	A *	12/1980	Laage et al.	426/127
5,385,292	A *	1/1995	Labianca et al.	229/120
6,601,758	B2 *	8/2003	Lizzio	229/120
6,932,267	B2 *	8/2005	Potenza et al.	229/199

* cited by examiner

Primary Examiner—Terry A Wallace

(74) *Attorney, Agent, or Firm*—Bruce H Johnsonbaugh

(57) **CLAIM**

The ornamental design for a reusable pizza container, as shown and described.

DESCRIPTION

FIG. 1 is a perspective view of the reusable pizza container, showing the detachable top in its raised and detached position.

FIG. 2 is a perspective view of the reusable pizza container, showing the lid in its closed position.

FIG. 3 is a top plan view of the container with the lid detached.

FIG. 4 is a front elevational view of the container.

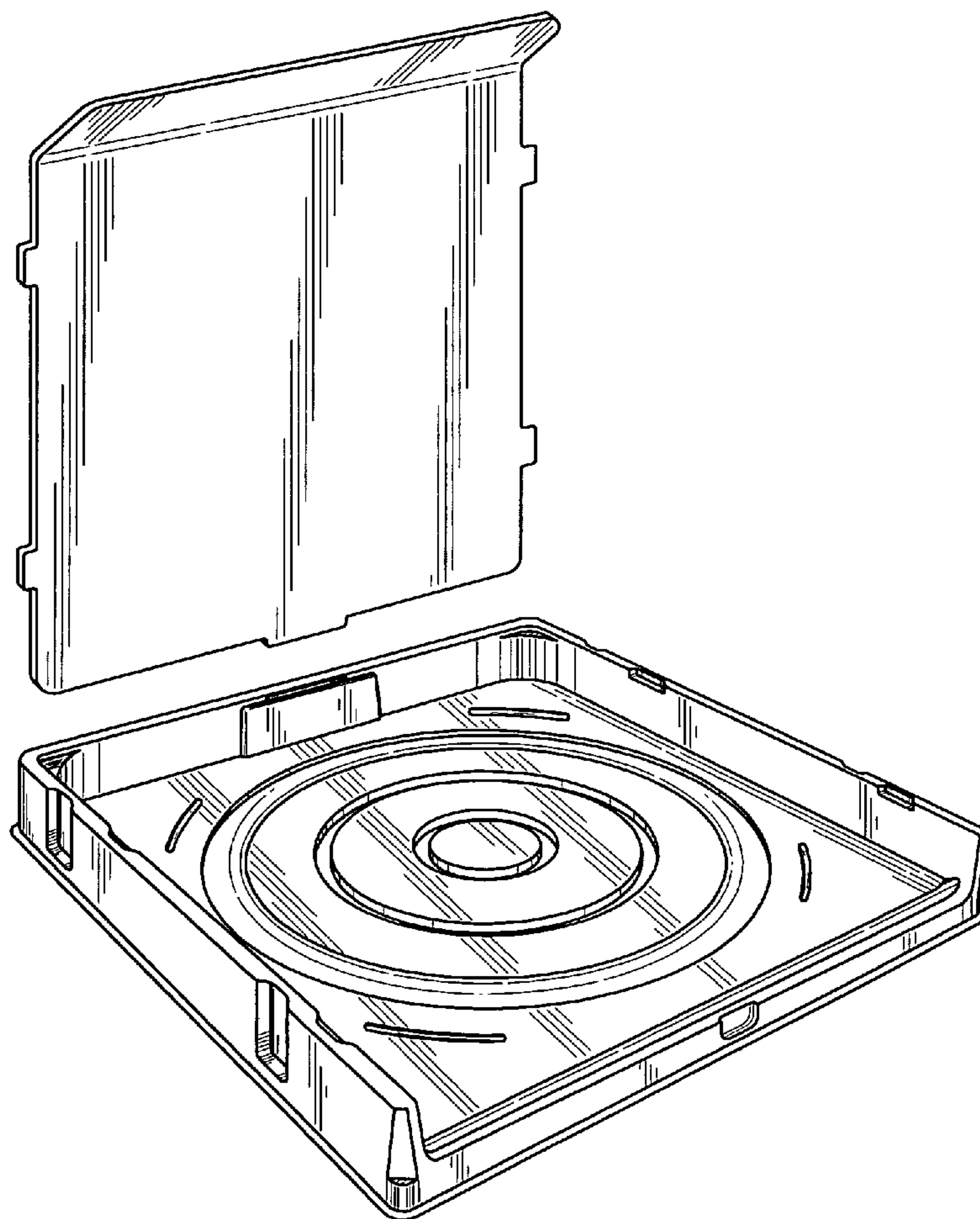
FIG. 5 is a right side elevational view of the container.

FIG. 6 is a bottom plan view of the container.

FIG. 7 is rear elevational view of the container; and,

FIG. 8 is a left side view of the container.

1 Claim, 4 Drawing Sheets



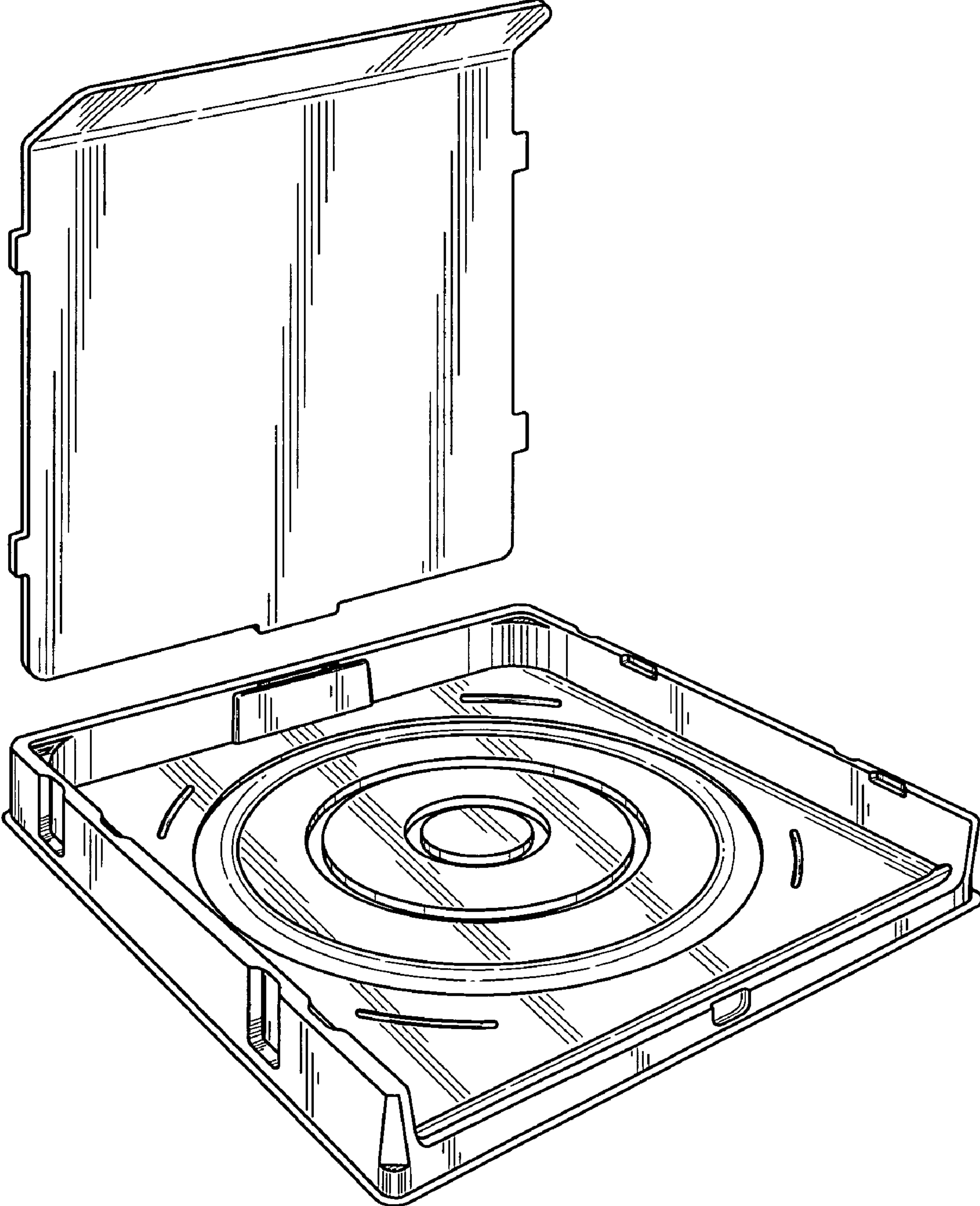


FIG. 1

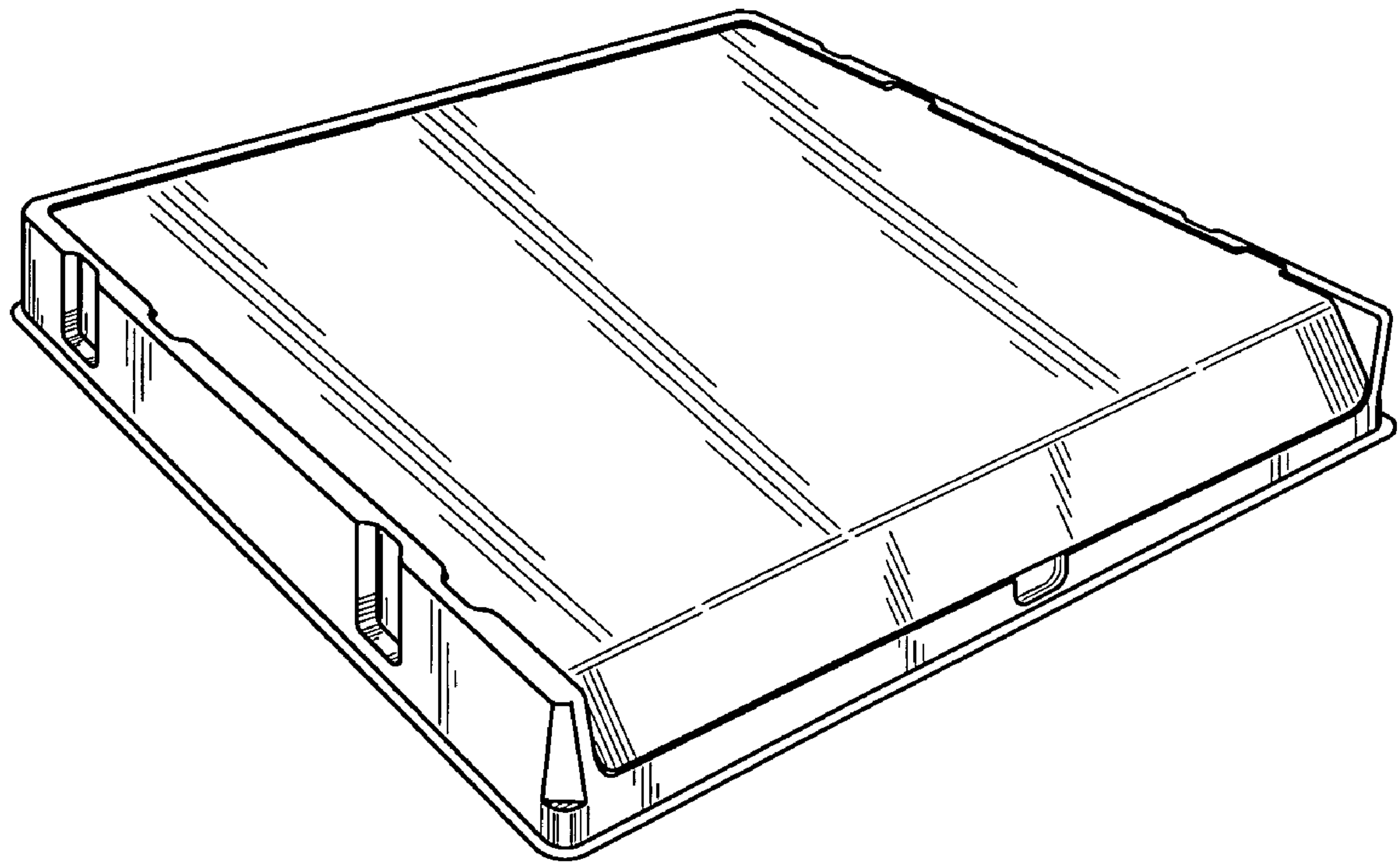


FIG. 2

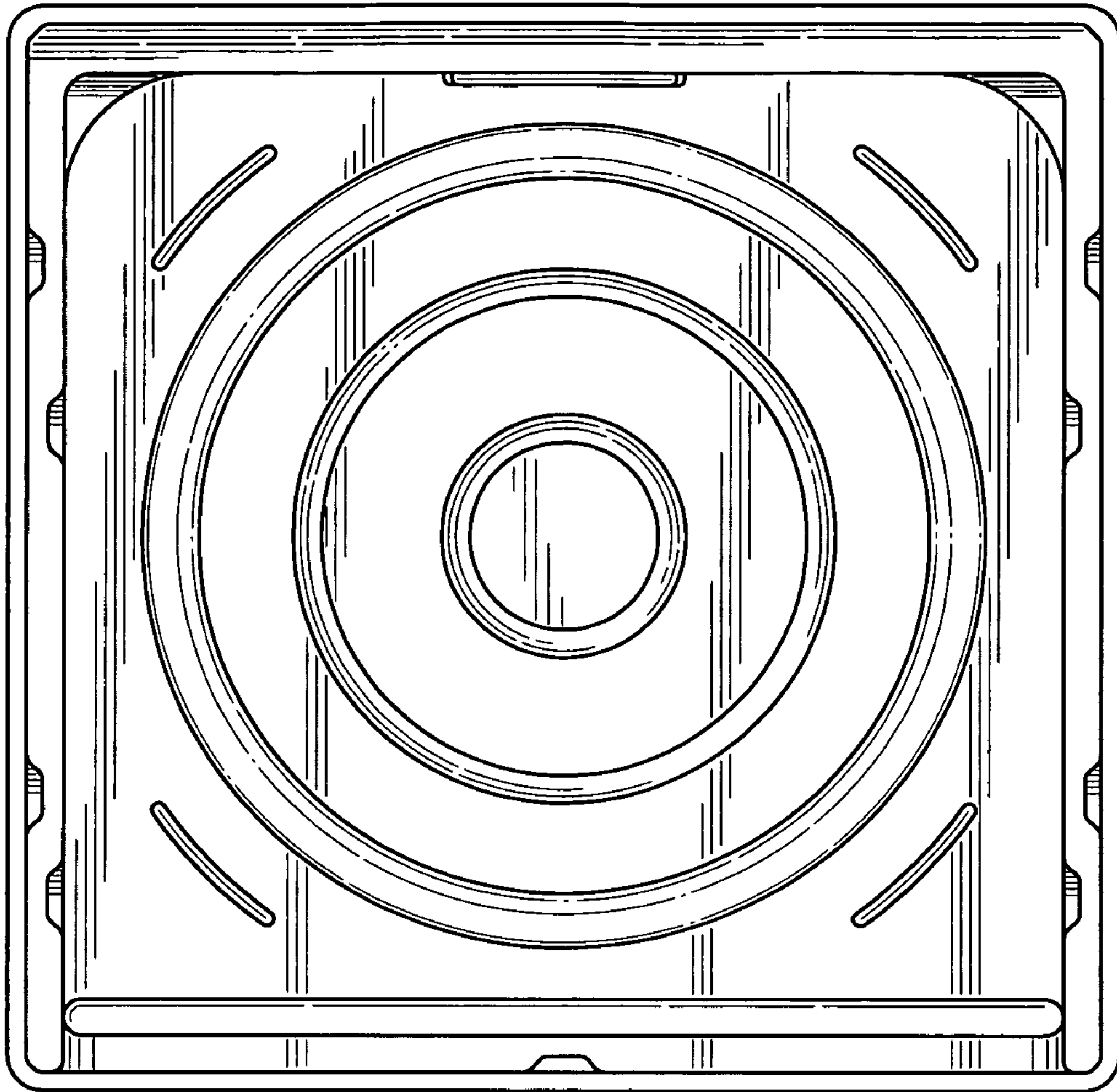


FIG. 3

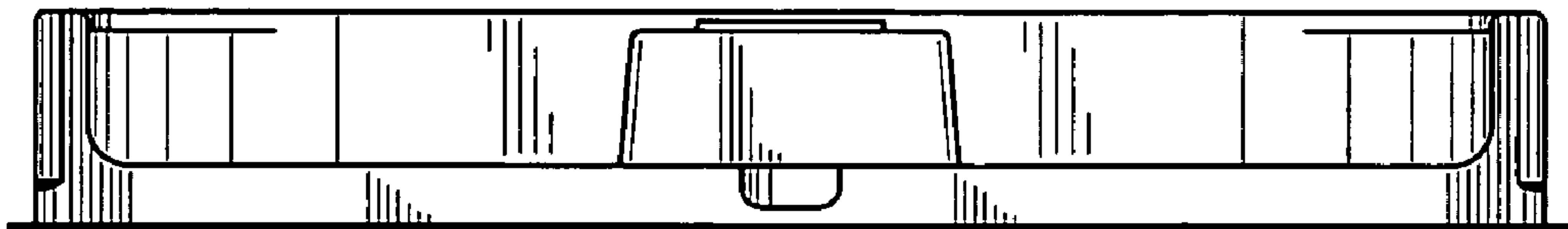


FIG. 4

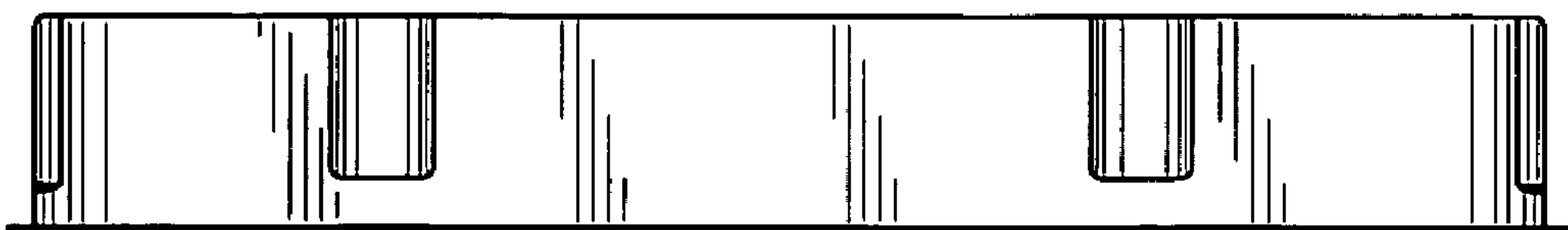


FIG. 5

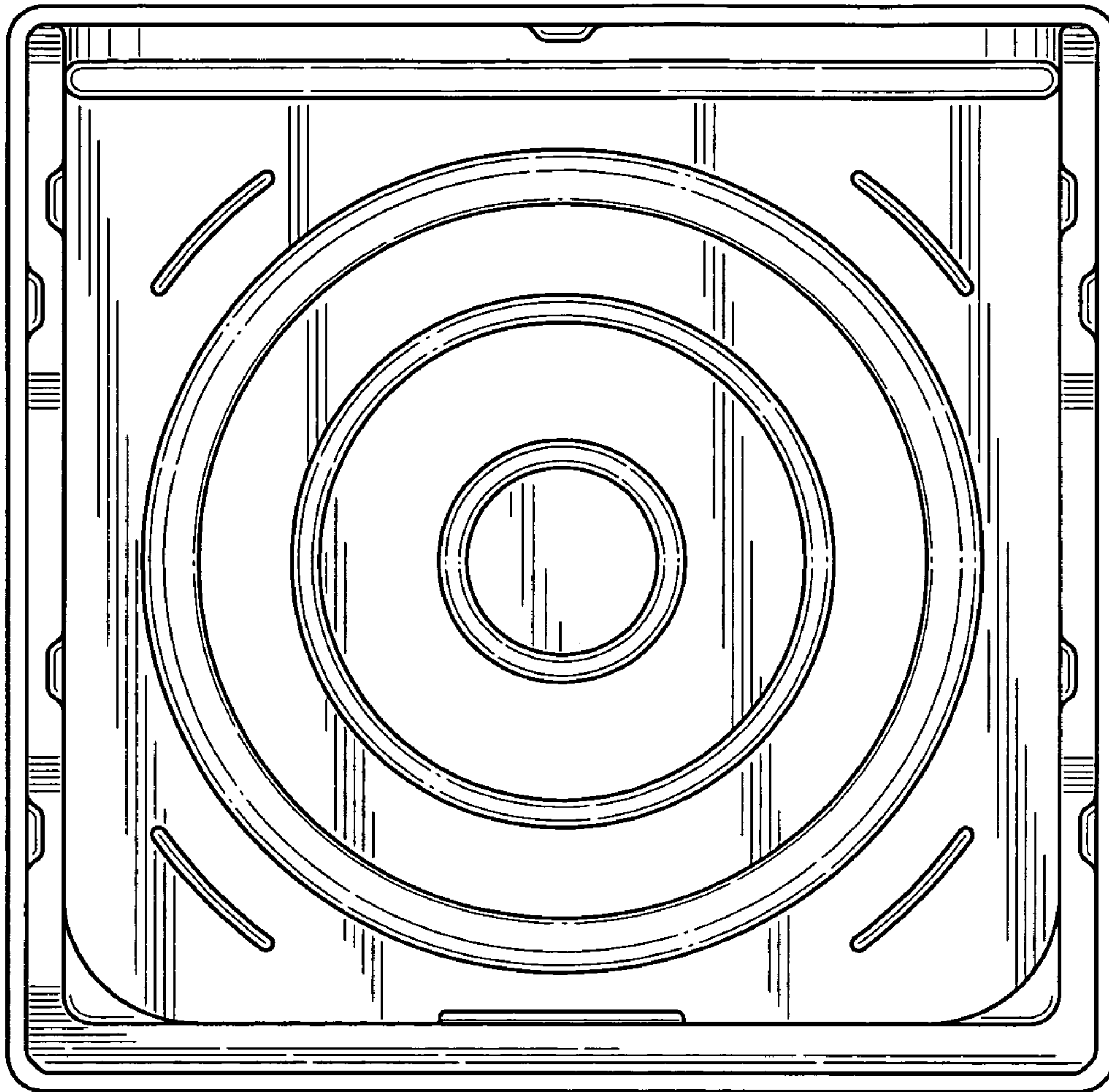


FIG. 6

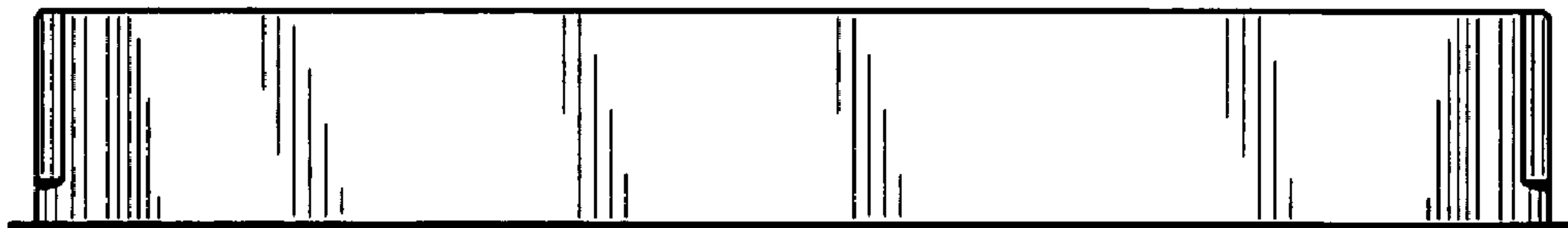


FIG. 7

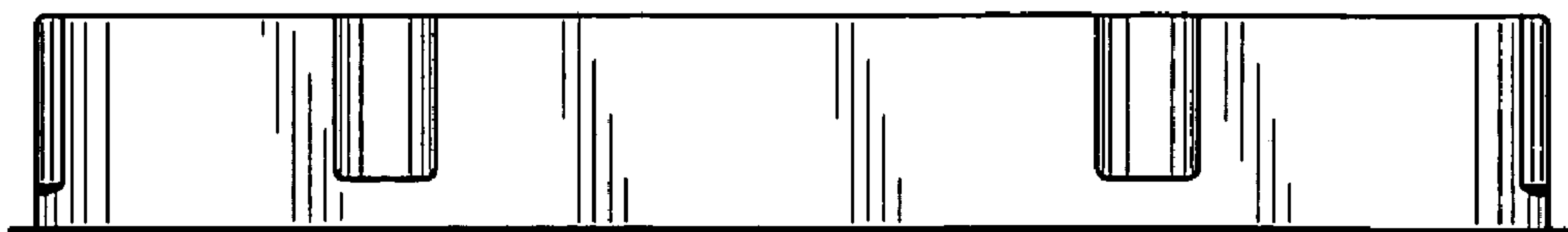


FIG. 8