



US00D620764S

(12) **United States Design Patent**
Lessells

(10) **Patent No.:** **US D620,764 S**

(45) **Date of Patent:** **** Aug. 3, 2010**

(54) **COMBINED BEVERAGE MUG AND CAN HOLDER**

Primary Examiner—Terry A Wallace
(74) *Attorney, Agent, or Firm*—Standley Law Group LLP

(76) **Inventor:** **Doug Lessells**, 4710 Raven Ct., Hilliard, OH (US) 43026

(57) **CLAIM**

The ornamental design for a combined beverage mug and can holder, as shown and described.

(**) **Term:** **14 Years**

(21) **Appl. No.:** **29/358,073**

DESCRIPTION

(22) **Filed:** **Mar. 22, 2010**

FIG. 1 is an assembled front perspective view of the combined beverage mug and can holder, with a removable cup portion shown inserted in the holder and with a beverage can shown in broken lining;

(51) **LOC (9) Cl.** **07-06**

(52) **U.S. Cl.** **D7/624.2; D7/605**

(58) **Field of Classification Search** D7/619.1–625, D7/603–608; 215/392, 393, 395, 396, 12.1, 215/12.2, 13.1; 220/737, 739, 902, 903
See application file for complete search history.

FIG. 2 is a left side elevation view;

FIG. 3 is a top plan view;

FIG. 4 is a rear elevation view;

FIG. 5 is a left side elevation view;

FIG. 6 is a bottom plan view;

FIG. 7 is a front elevation view; and,

FIG. 8 is an exploded view, corresponding to FIG. 1, with the removable cup portion shown removed from the holder.

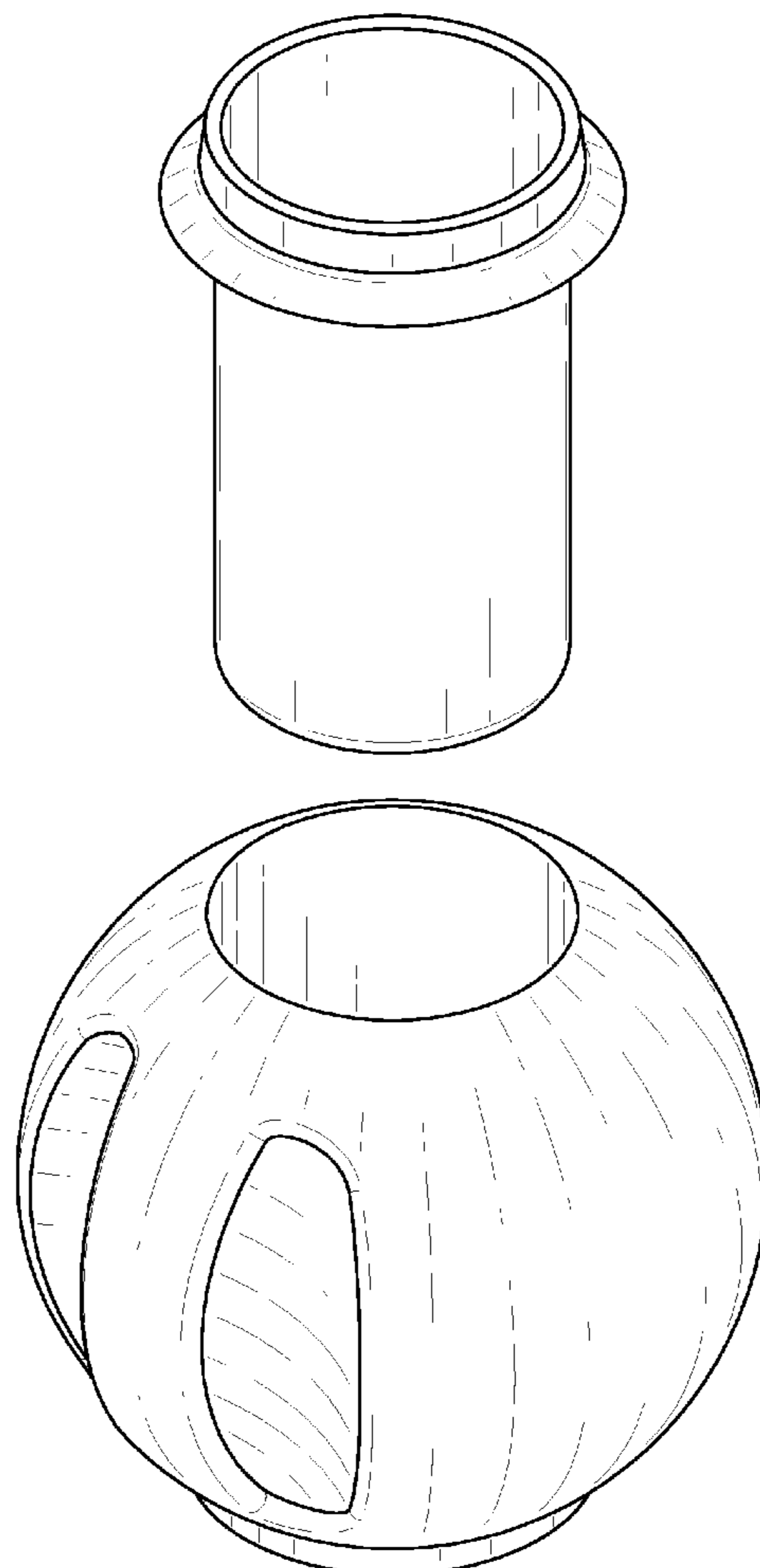
(56) **References Cited**

U.S. PATENT DOCUMENTS

- D365,727 S * 1/1996 Adams et al. D7/536
- D541,111 S * 4/2007 Morgan et al. D7/625
- 7,201,285 B2 * 4/2007 Beggins 220/902

* cited by examiner

1 Claim, 4 Drawing Sheets



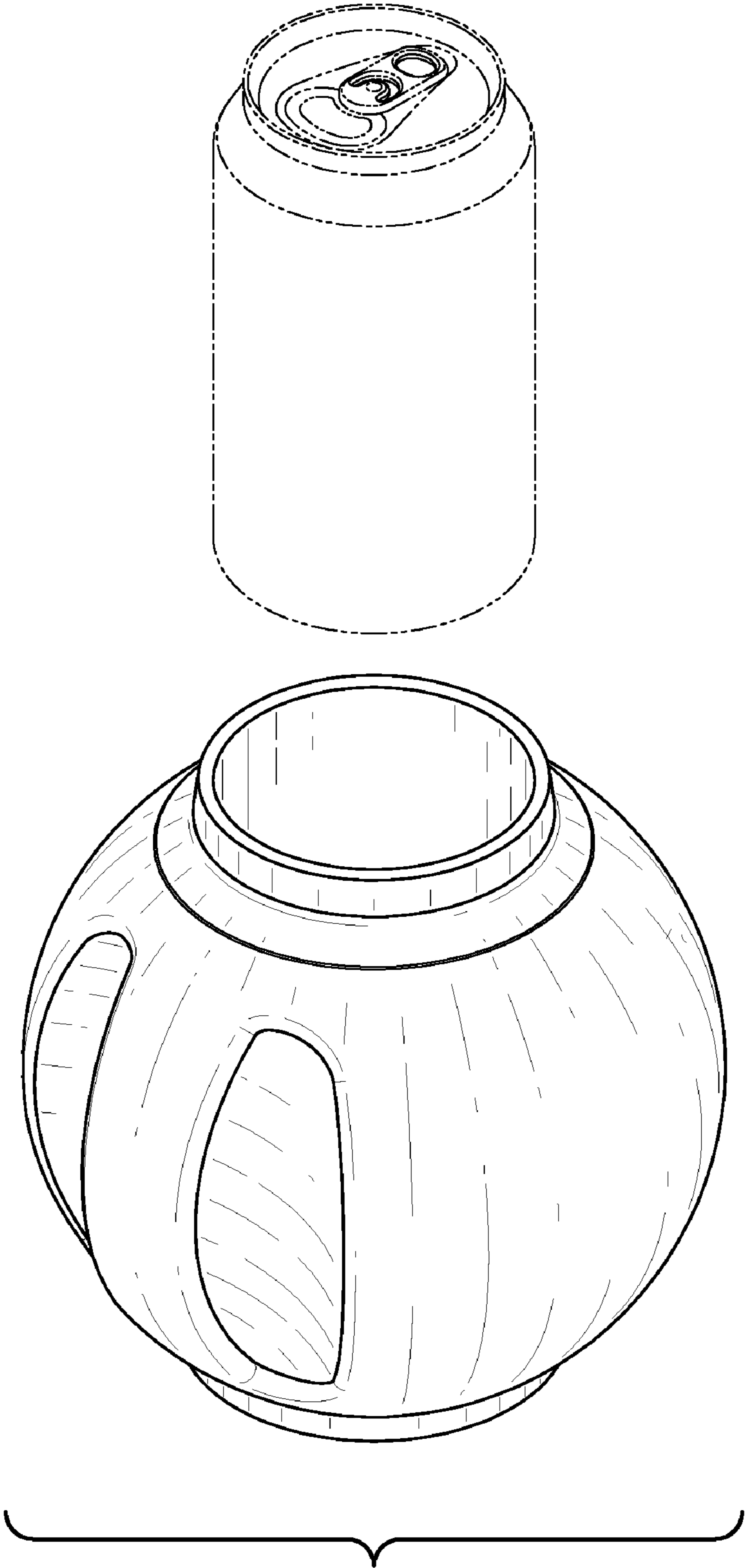


FIG-1

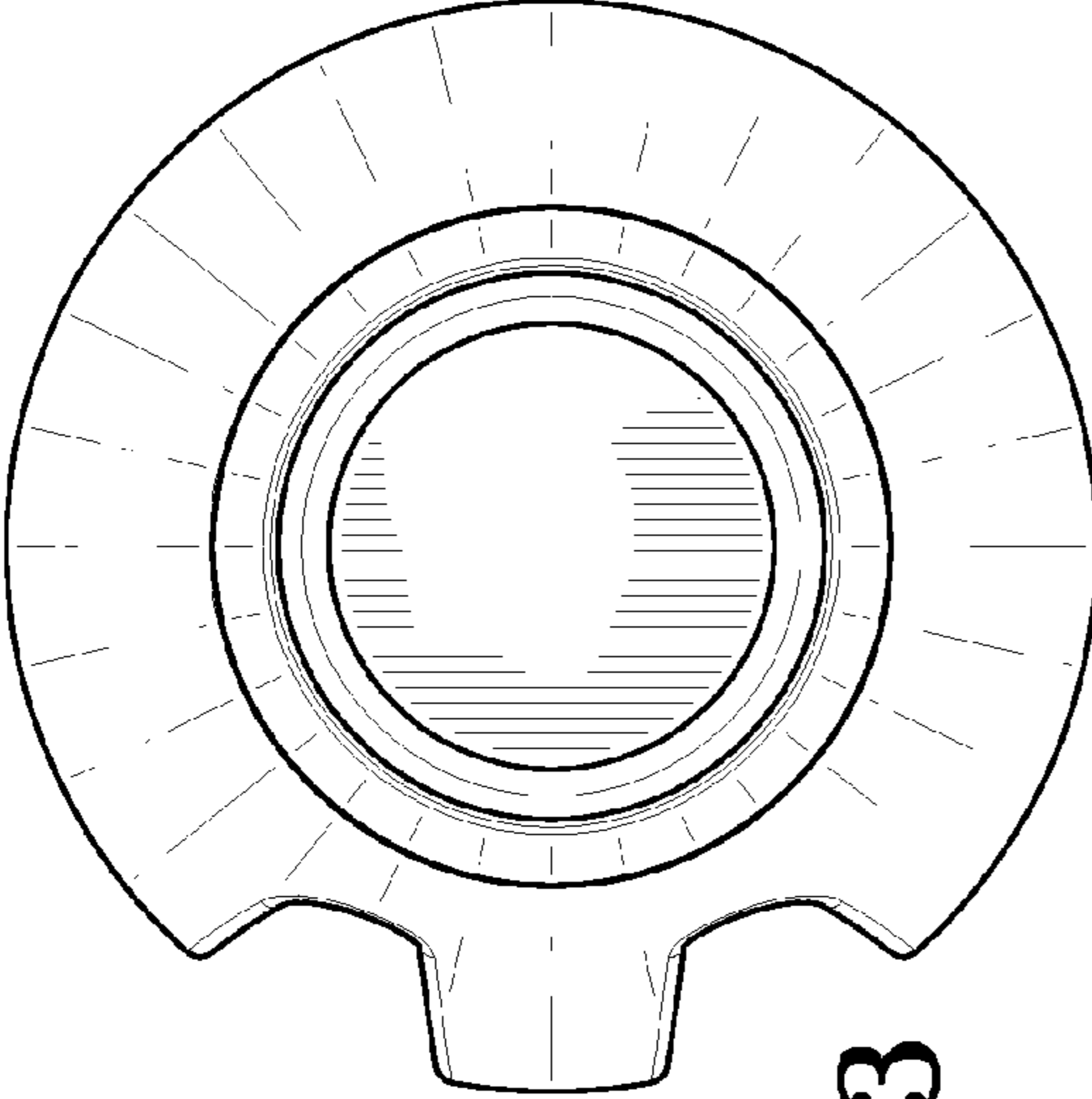


FIG-3

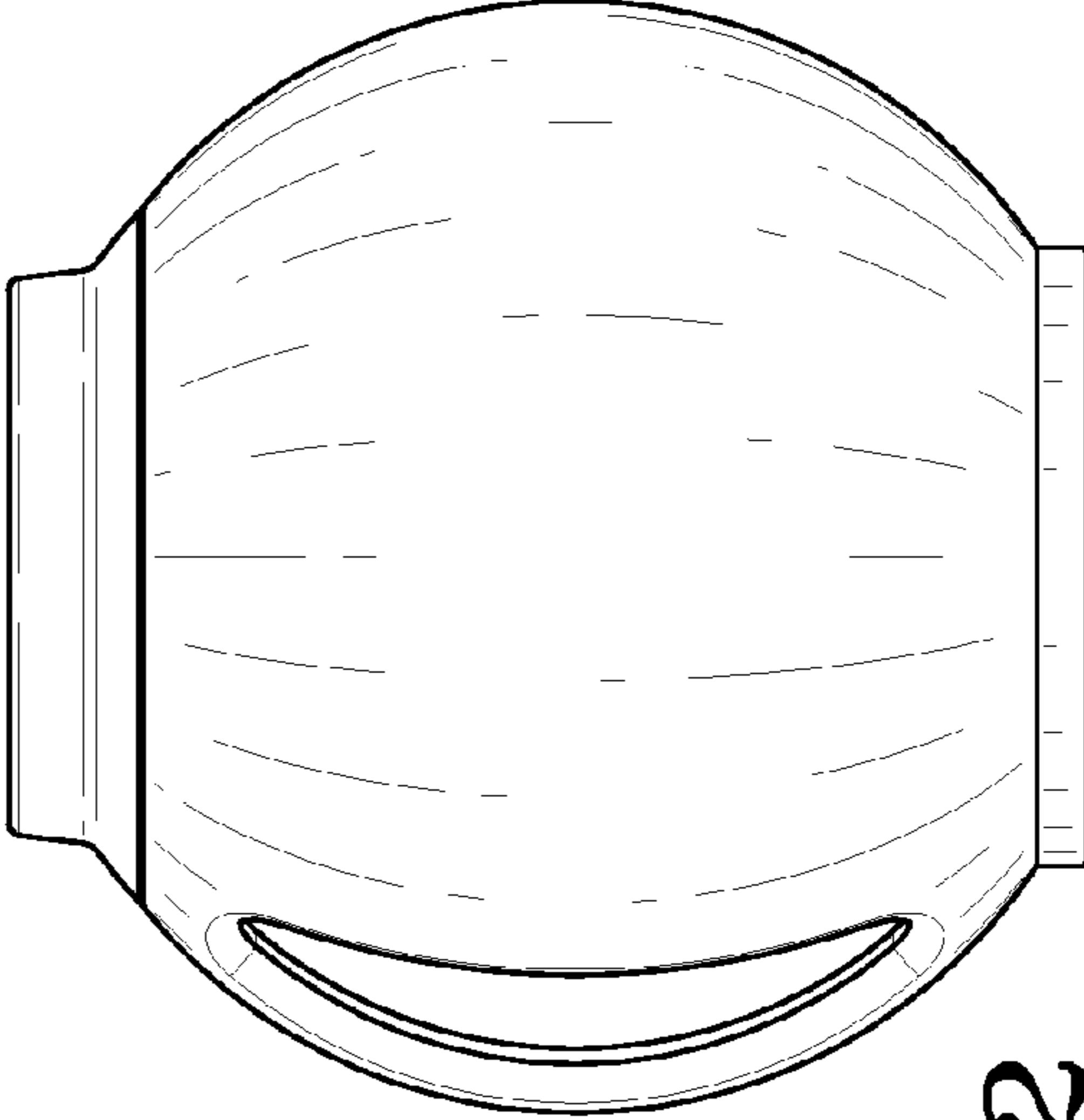


FIG-2

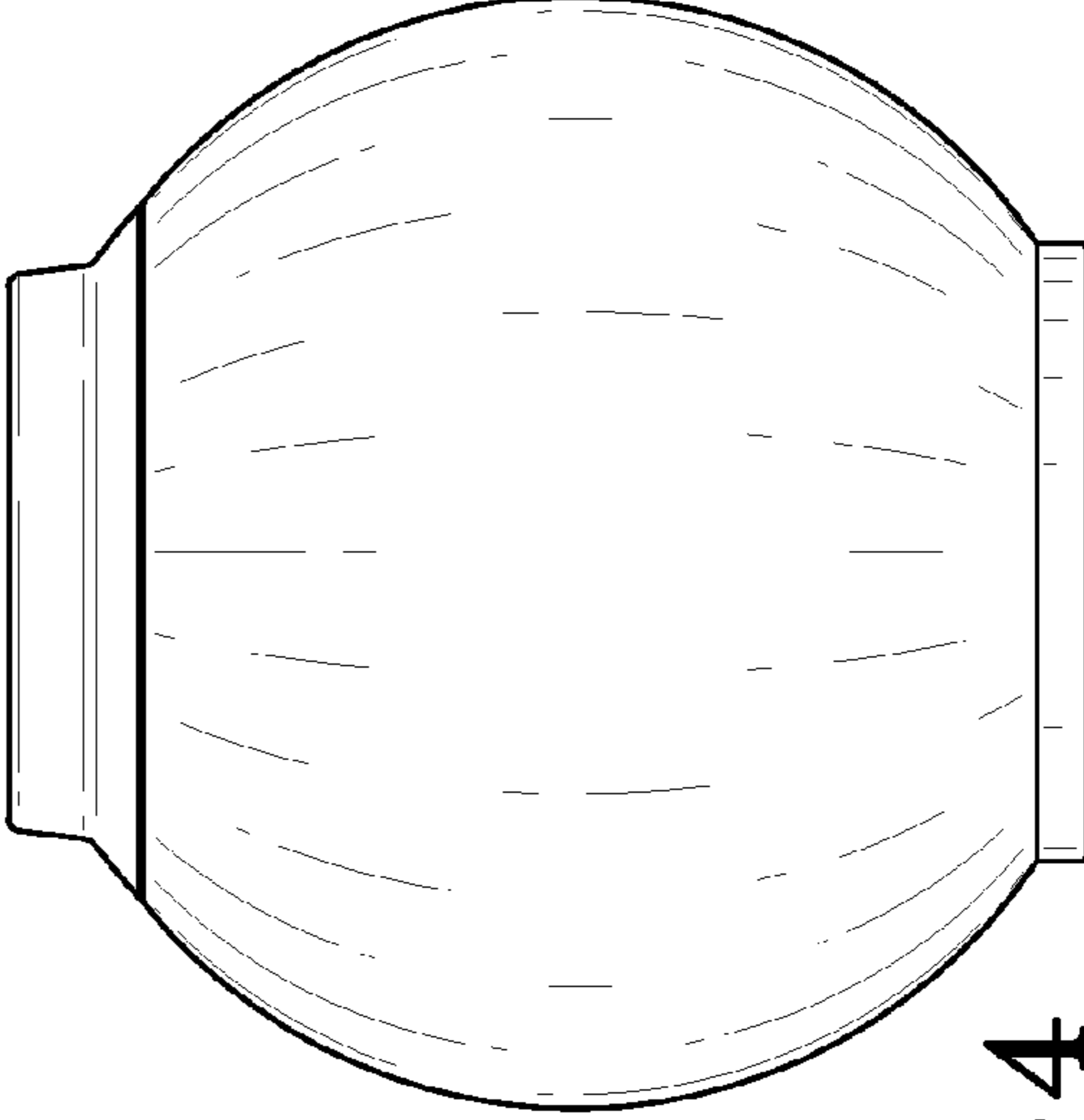


FIG-4

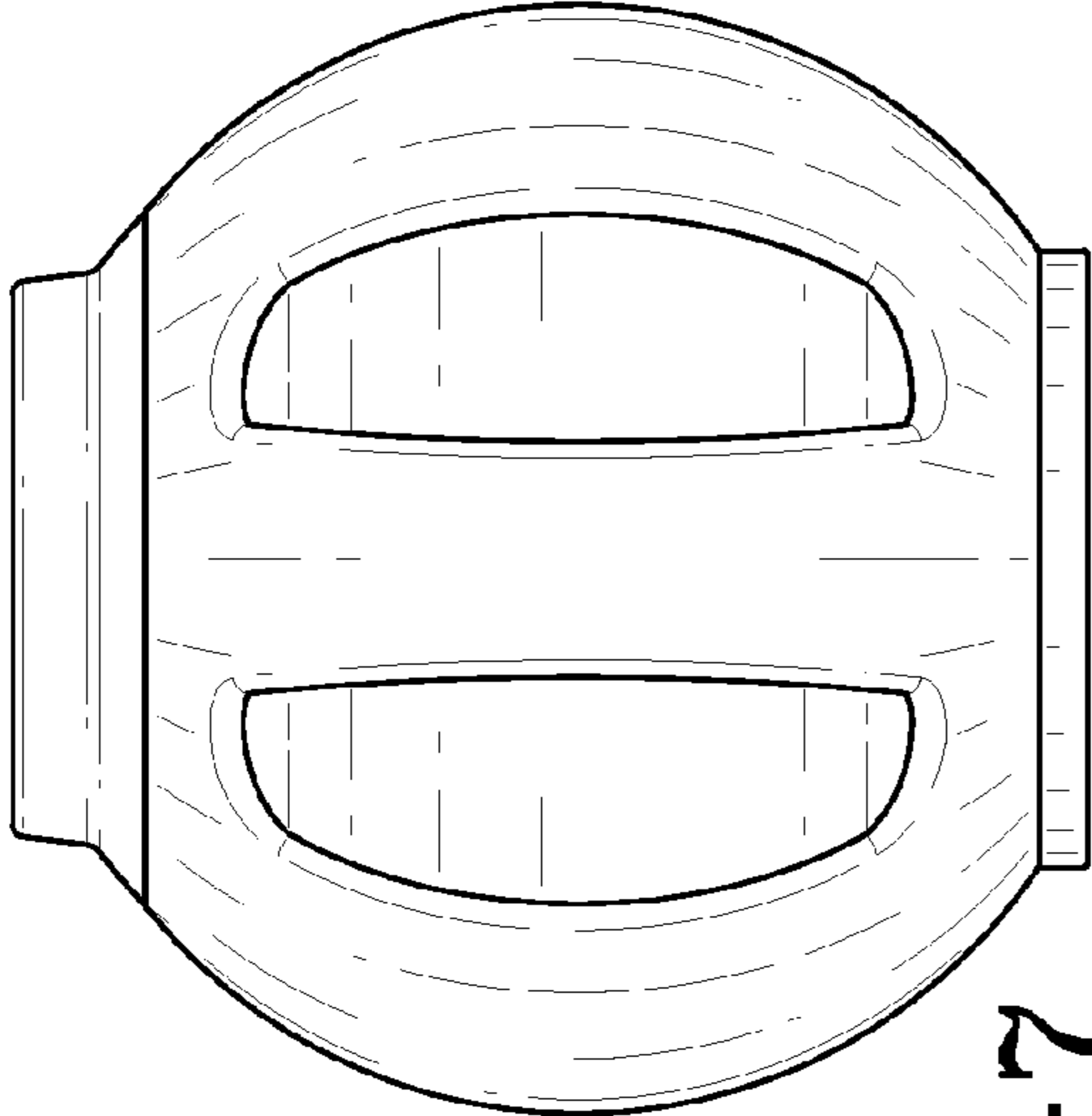


FIG-7

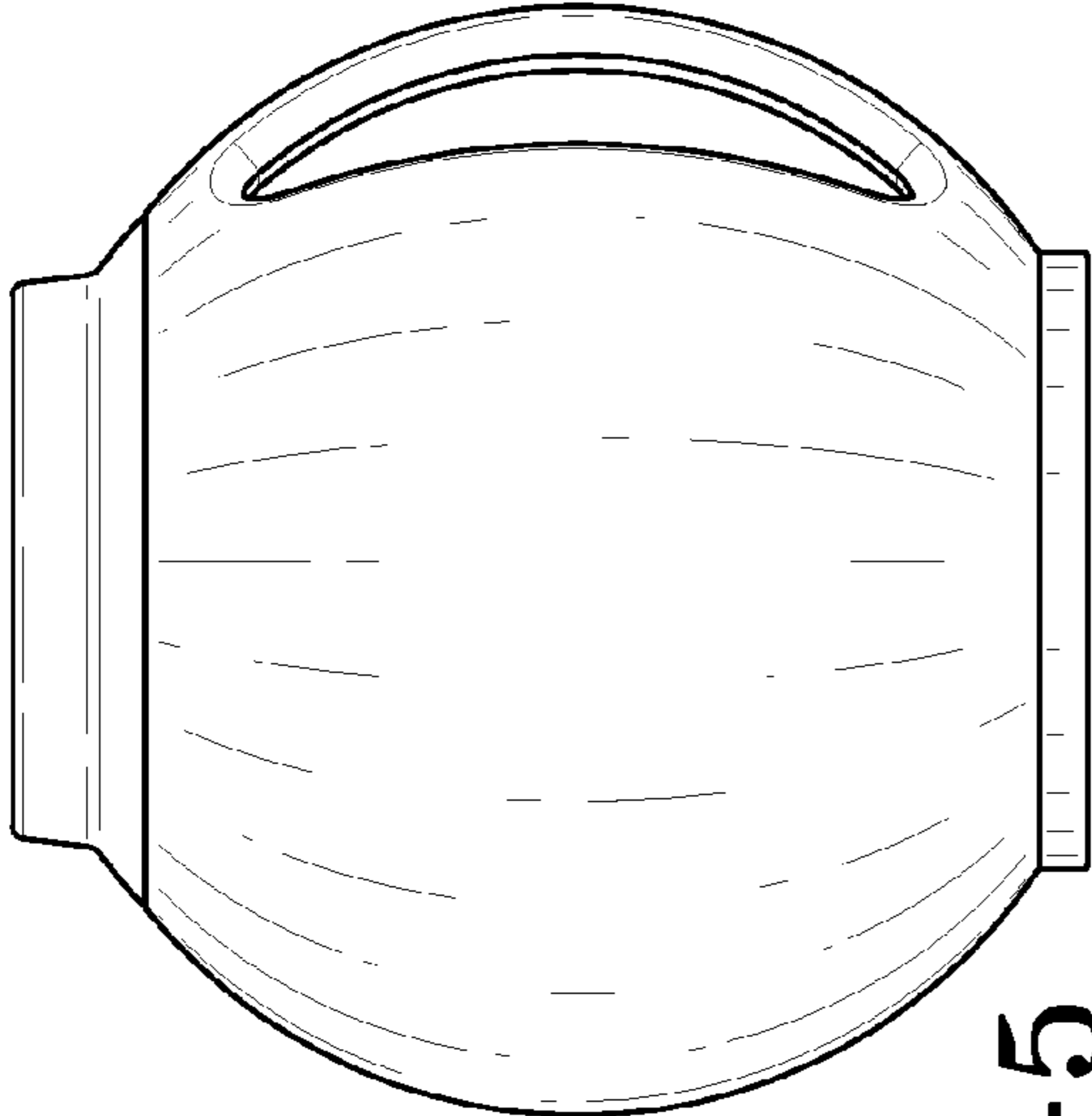


FIG-5

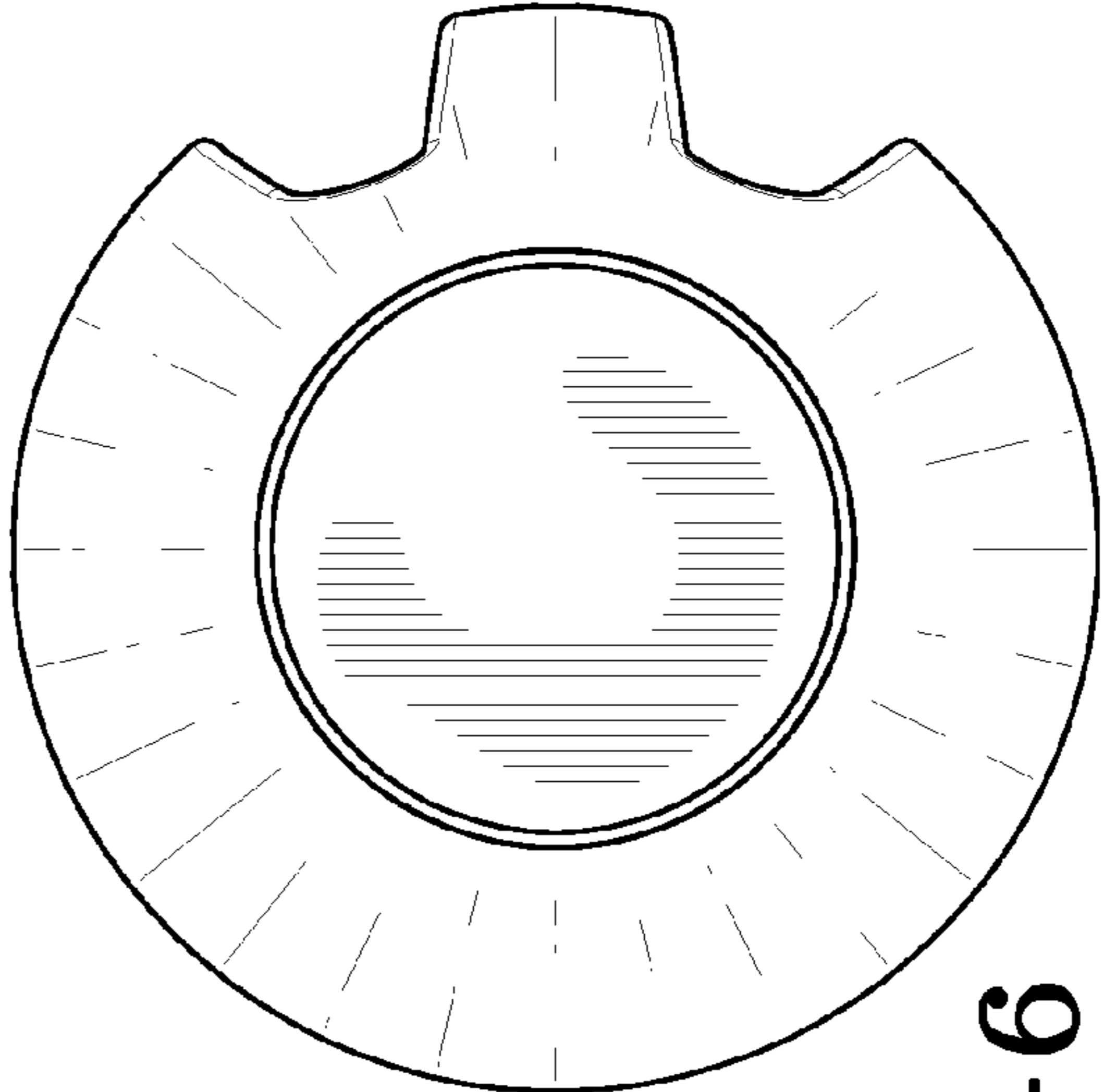


FIG-6

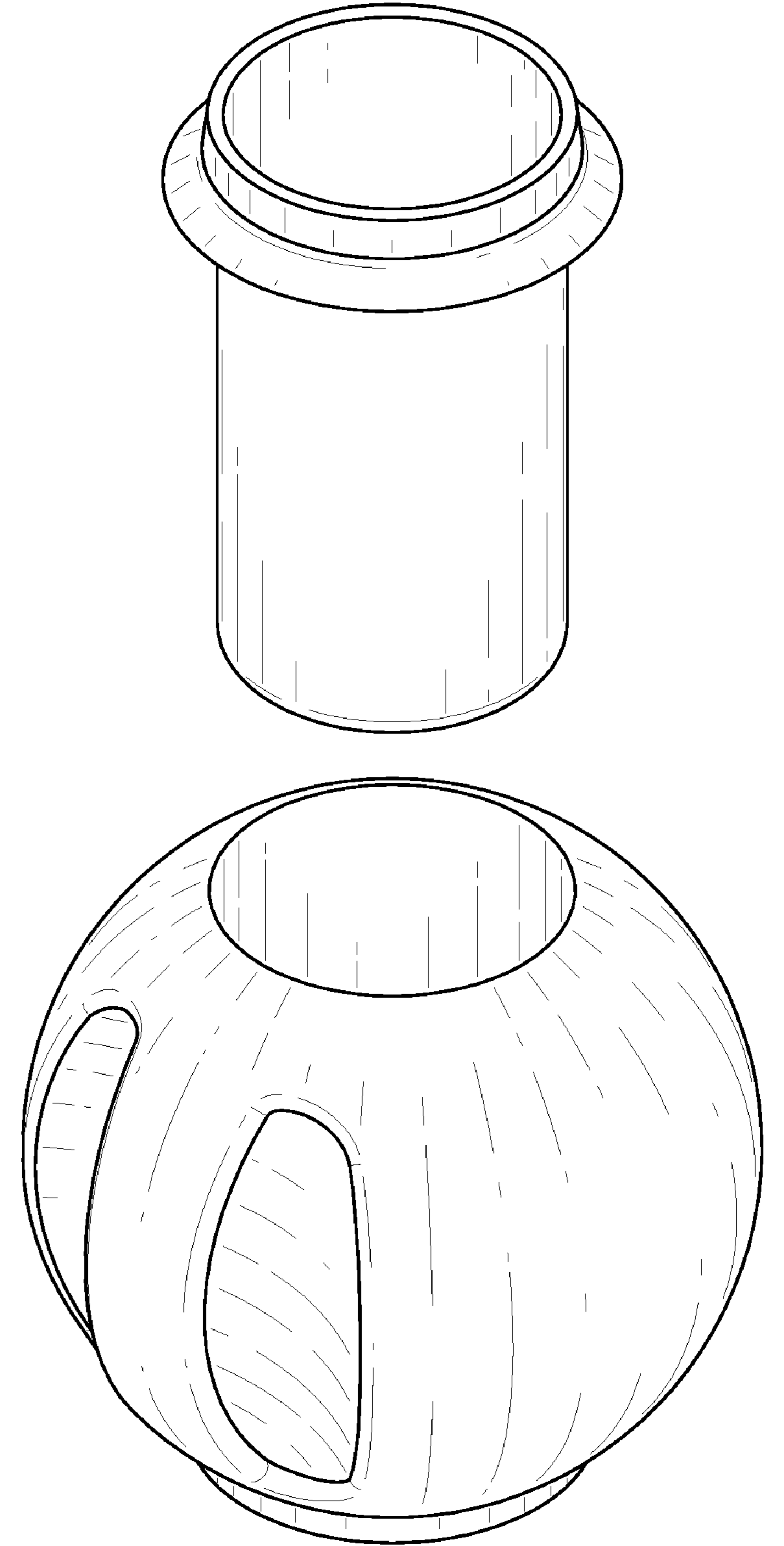


FIG-8