

US00D620762S

(12) **United States Design Patent**
Tolle

(10) **Patent No.:** **US D620,762 S**
(45) **Date of Patent:** **** Aug. 3, 2010**

(54) **COOLING UNIT**

D451,767 S * 12/2001 Kolpin D7/607
D453,893 S * 2/2002 Mount D7/608
6,478,268 B1 * 11/2002 Bidwell et al. 248/174

(75) Inventor: **Finn Tolle, Esbjerg O (DK)**

(73) Assignee: **A/S Vestfrost (DK)**

(**) Term: **14 Years**

(21) Appl. No.: **29/279,899**

(22) Filed: **May 10, 2007**

(30) **Foreign Application Priority Data**

Mar. 6, 2007 (EM) 000683107

(51) **LOC (9) Cl.** **07-01**

(52) **U.S. Cl.** **D7/605**

(58) **Field of Classification Search** D7/605-608;
62/457.1-457.9, 246-254, 256; 312/114,
312/234.1, 116, 117, 119, 138, 139.2; D6/450,
D6/440, 448, 470-472

See application file for complete search history.

(56) **References Cited**

U.S. PATENT DOCUMENTS

4,724,682 A * 2/1988 Flum et al. 62/462
5,048,305 A * 9/1991 Taub 62/372
5,596,880 A * 1/1997 Welker et al. 62/372
D429,120 S * 8/2000 Mount D7/608
D434,610 S * 12/2000 Mount D7/608

* cited by examiner

Primary Examiner—Terry A Wallace

(74) *Attorney, Agent, or Firm*—St. Onge Steward Johnston & Reens LLC

(57) **CLAIM**

The ornamental design for cooling unit, as shown and described.

DESCRIPTION

FIG. 1 is a front perspective view of a cooling unit in accordance with the new design;

FIG. 2 is a top and left internal side perspective view thereof;

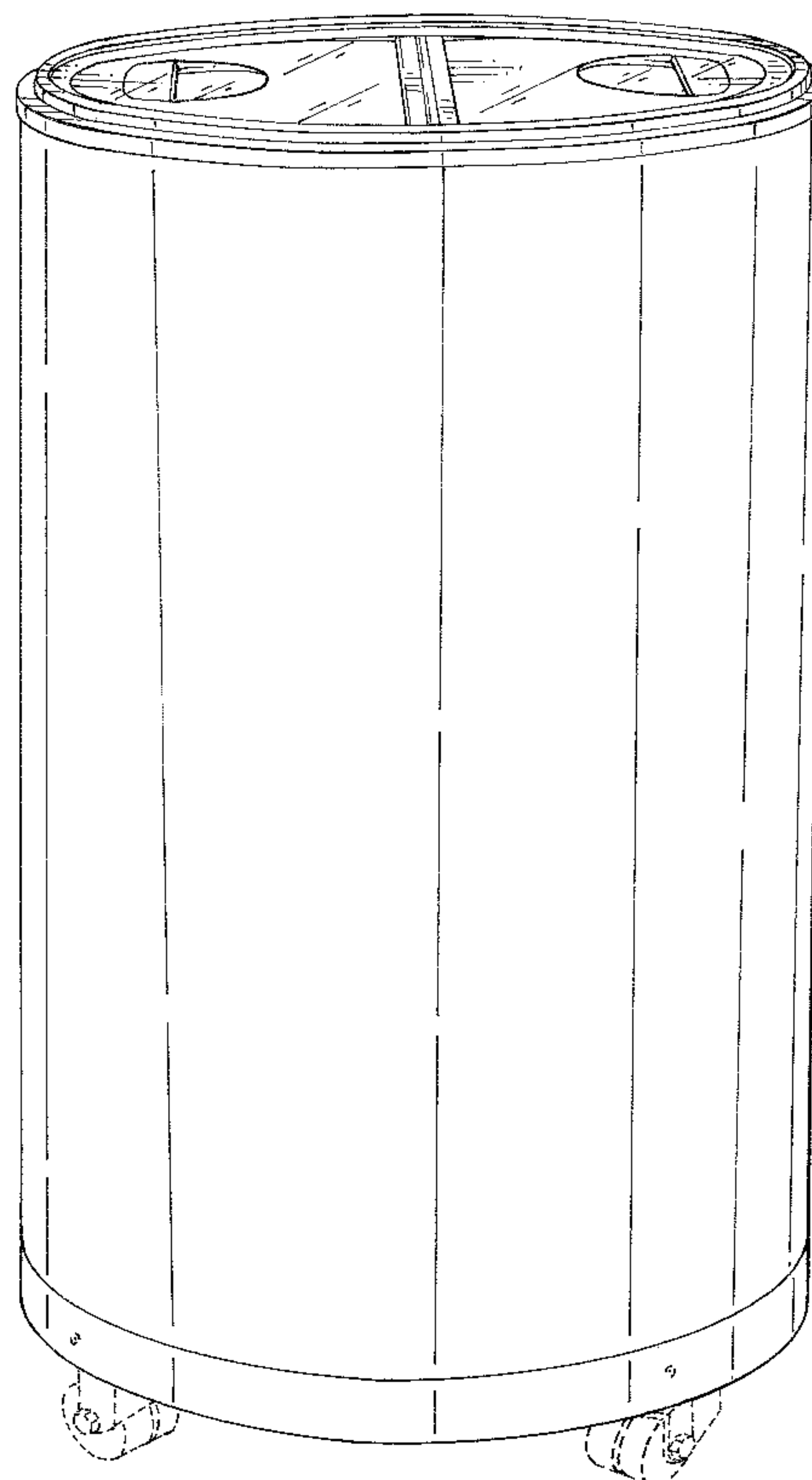
FIG. 3 is a partial top and rear internal side perspective view thereof;

FIG. 4 is a top and left internal side perspective view thereof; and,

FIG. 5 is a partial top and rear internal side perspective view thereof.

The broken lines in FIGS. 1, 2, 3, and 4 illustrate aspects of the design that form no part of the claim.

1 Claim, 5 Drawing Sheets



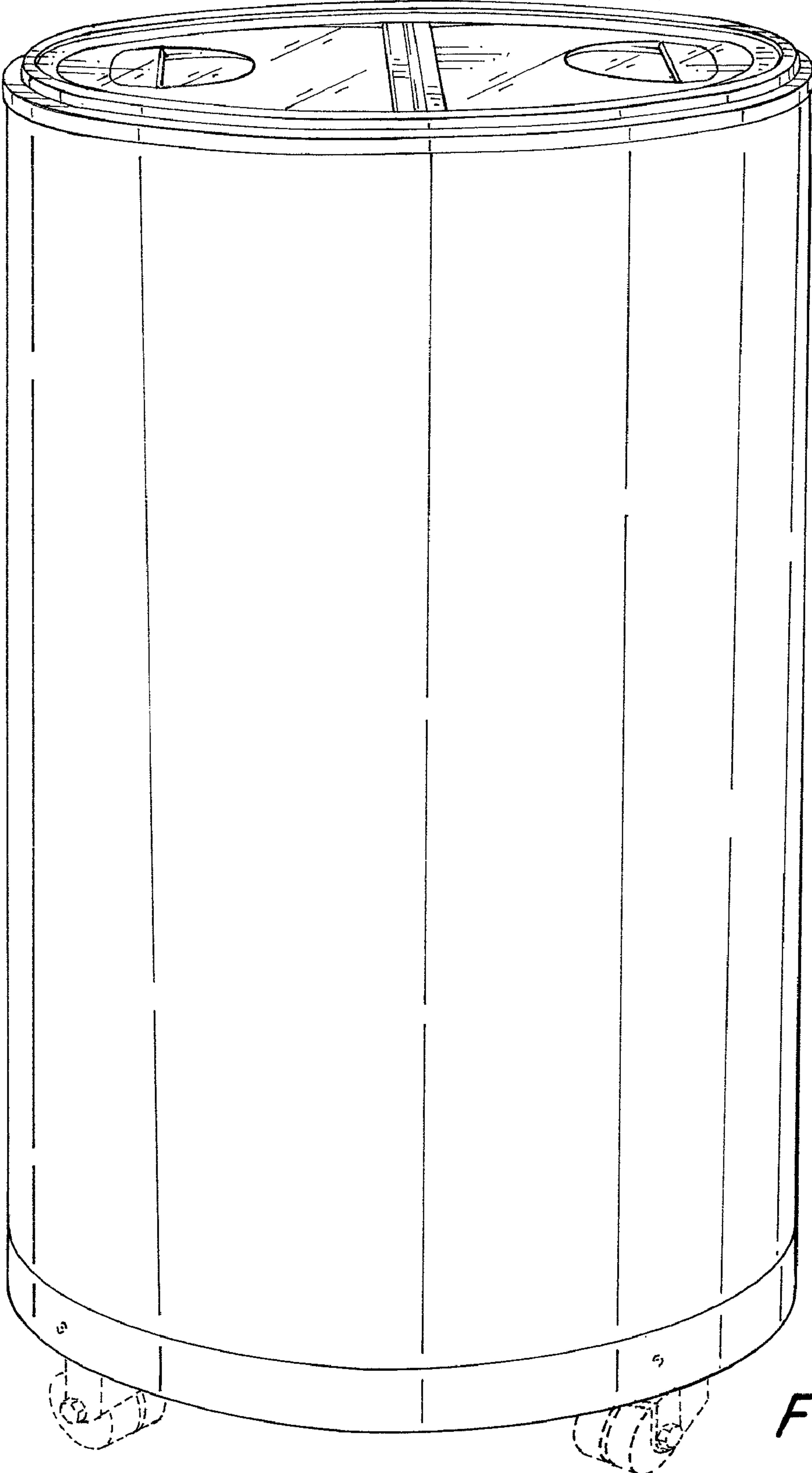


FIG. 1

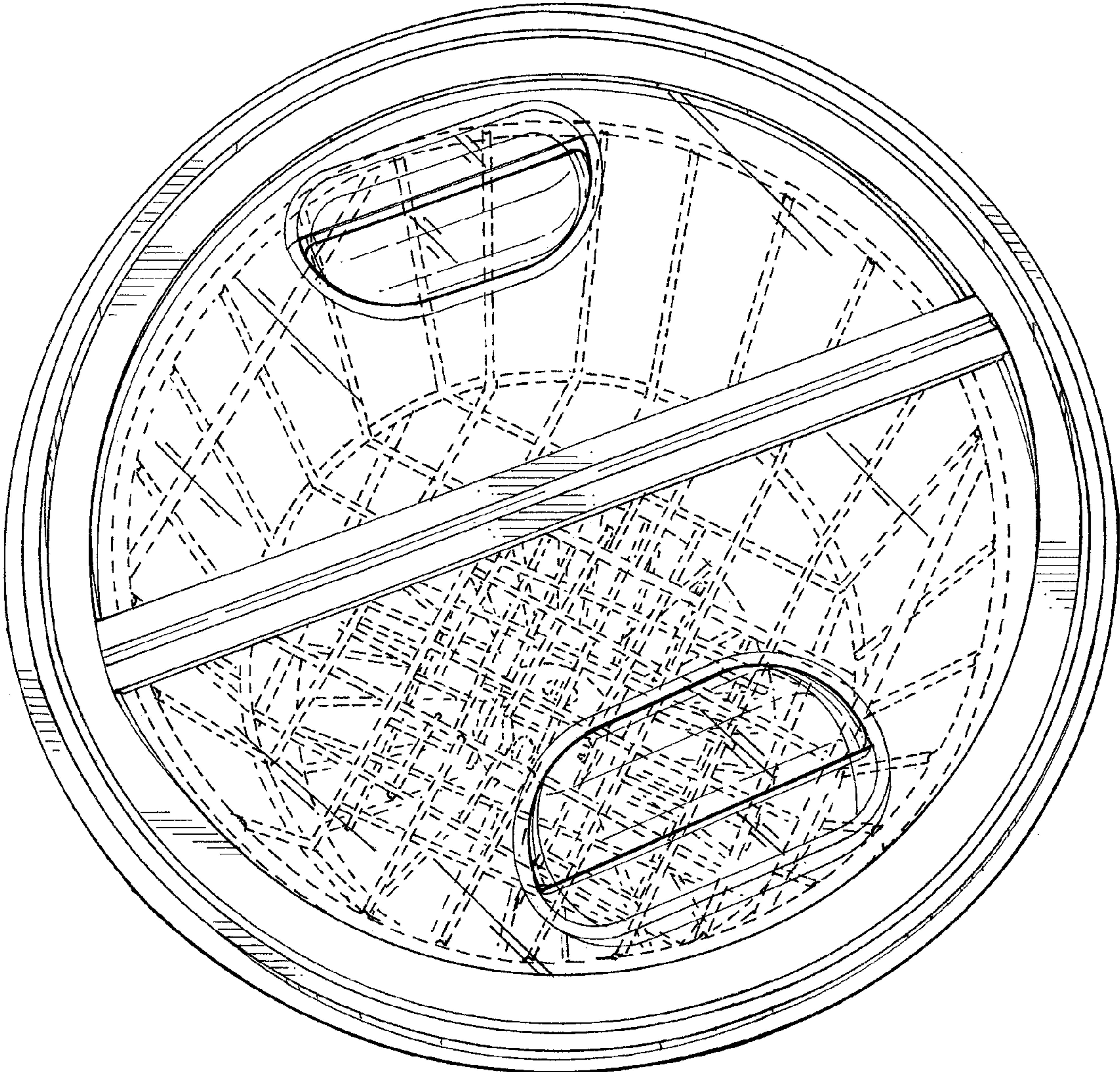


FIG. 2

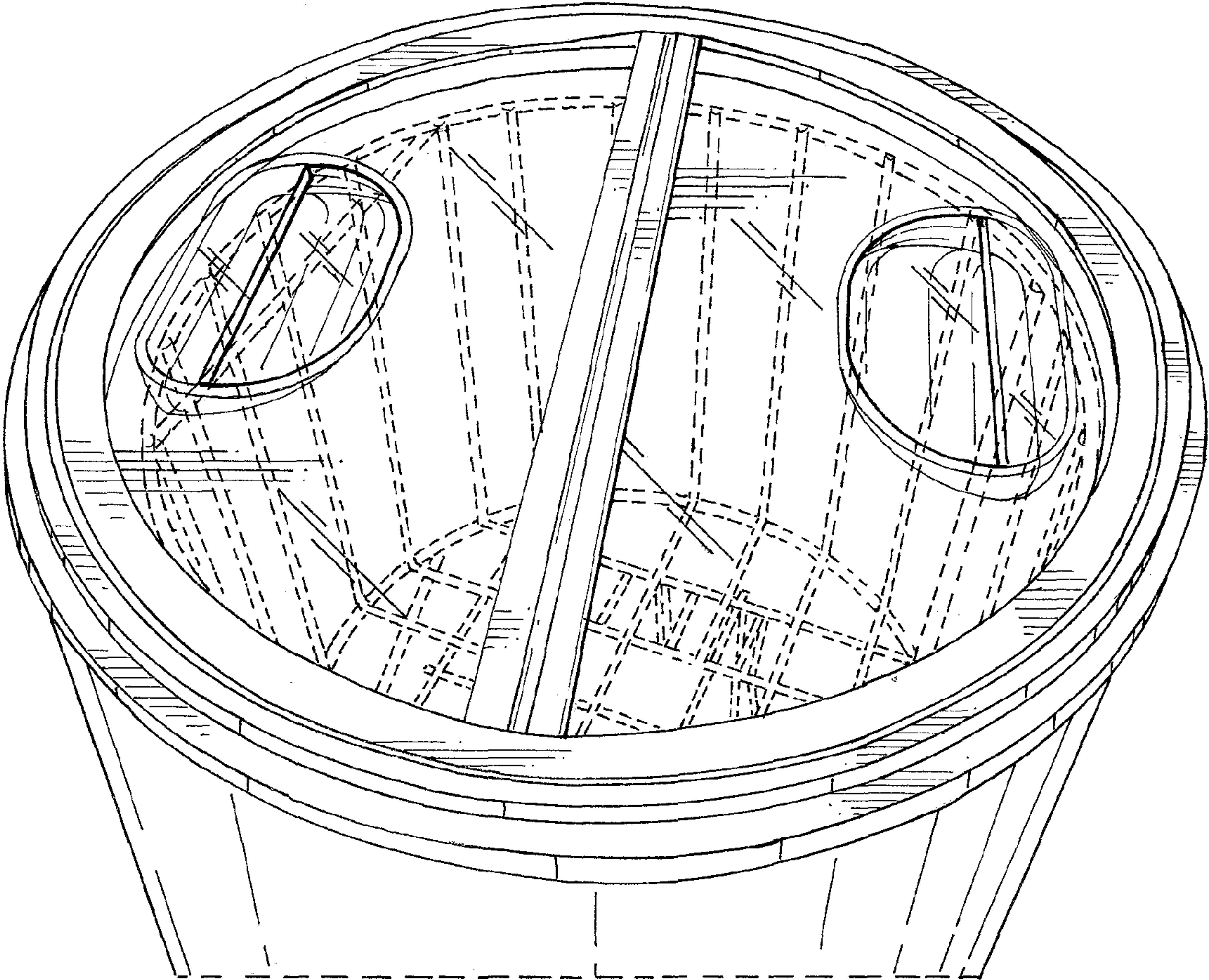


FIG. 3

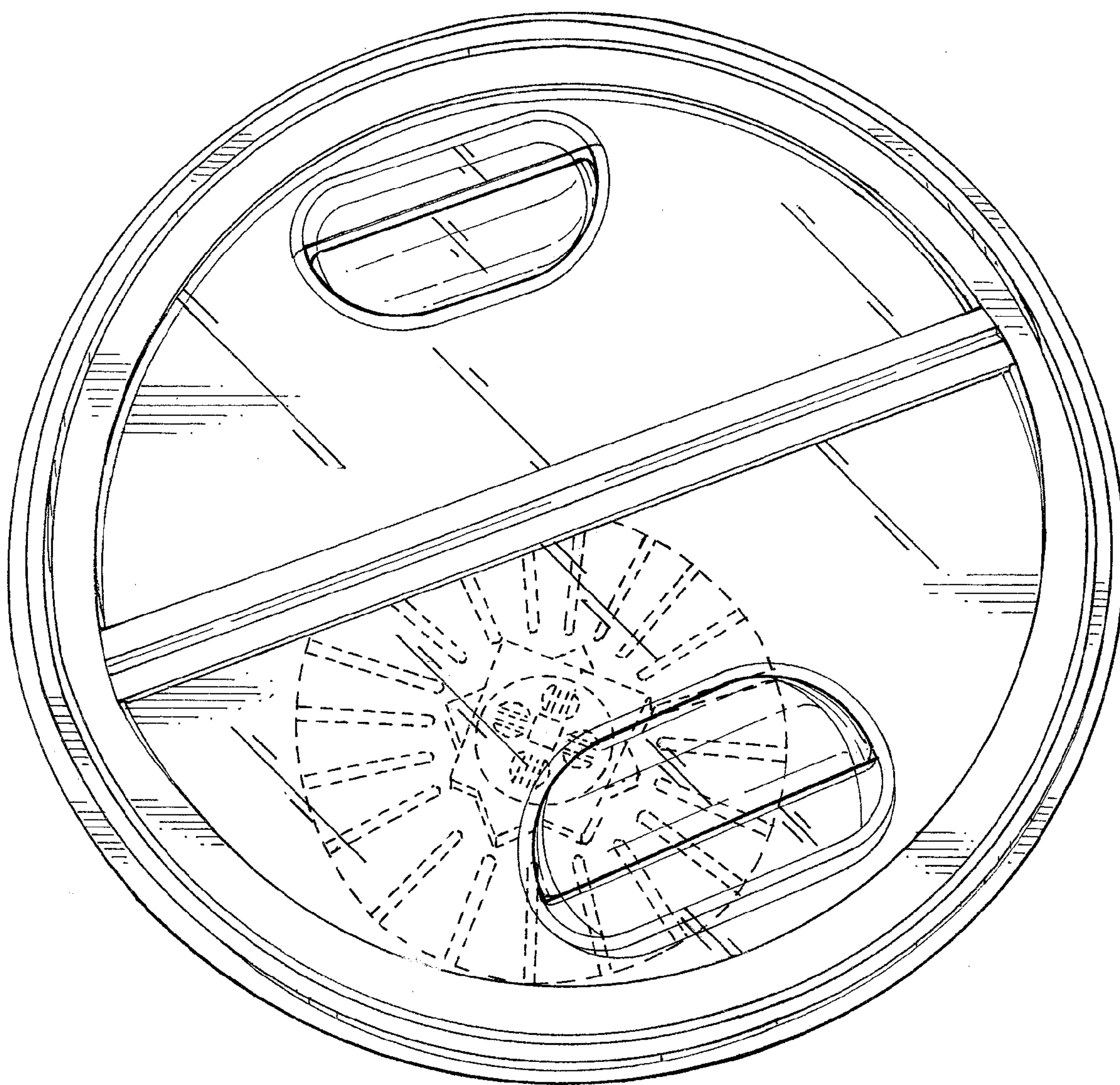


FIG. 4

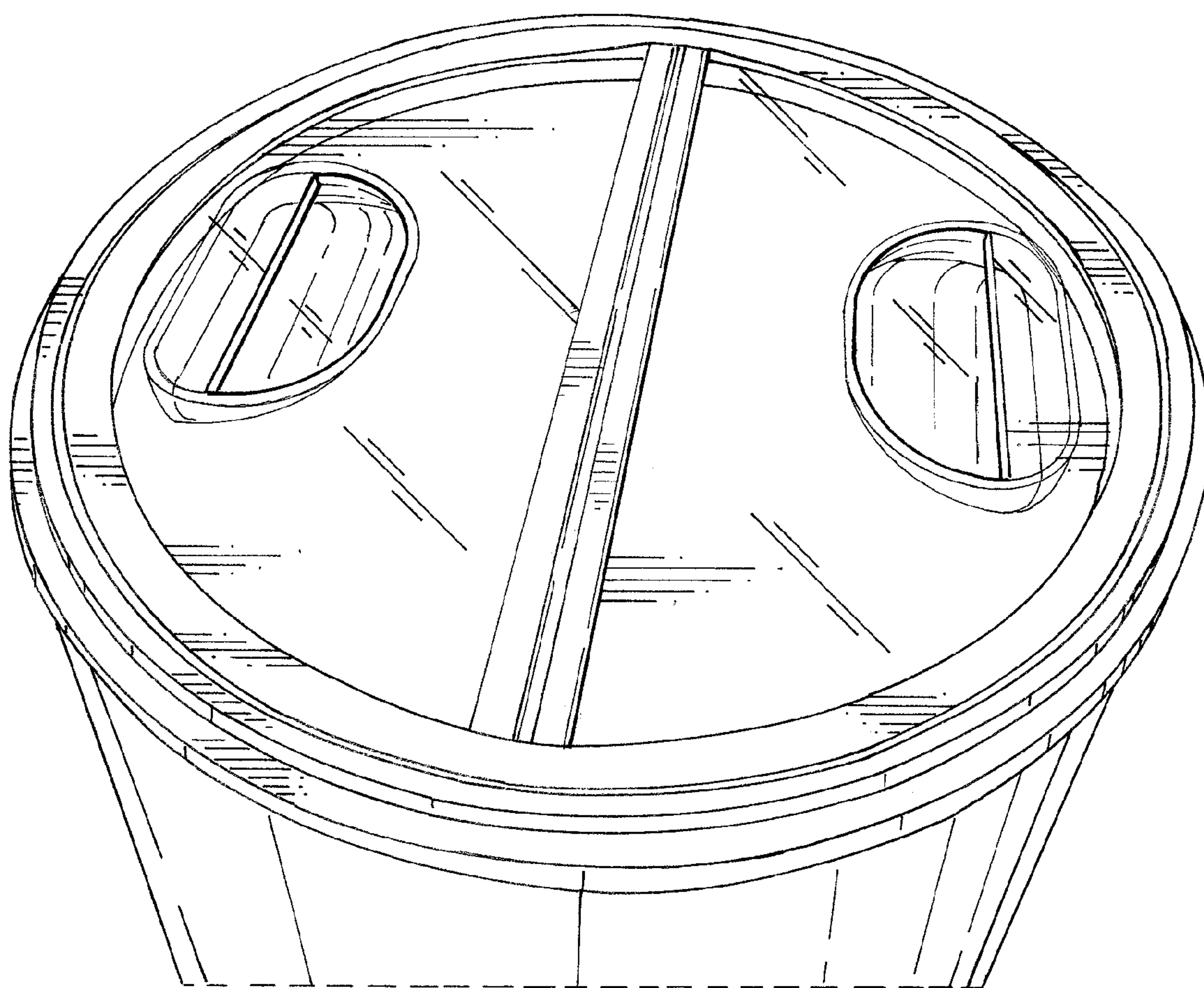


FIG. 5