



US00D620760S

(12) **United States Design Patent**
Wang Chen

(10) **Patent No.:** **US D620,760 S**

(45) **Date of Patent:** **** Aug. 3, 2010**

(54) **CUP**

(75) Inventor: **Tsai-Hsieh Wang Chen**, Taipei (TW)

(73) Assignee: **Cha Cha Th é Culture International Company Limited**, Taipei (TW)

(**) Term: **14 Years**

(21) Appl. No.: **29/353,419**

(22) Filed: **Jan. 8, 2010**

(51) **LOC (9) Cl.** **07-01**

(52) **U.S. Cl.** **D7/533**

(58) **Field of Classification Search** D7/509,
D7/533, 536, 510, 511; 220/713, 703, 715,
220/592.16, 592.17; 215/10
See application file for complete search history.

(56) **References Cited**

U.S. PATENT DOCUMENTS

2,770,956	A *	11/1956	Achtziger	215/10
D184,518	S *	3/1959	Folley	D7/536
D212,110	S *	8/1968	Ketcham	D7/533
D219,048	S *	10/1970	Gulotta	D7/536
D225,076	S *	11/1972	Person	D7/533

D511,937	S *	11/2005	Liu	D7/533
D551,023	S *	9/2007	Natalino et al.	D7/533
D561,536	S *	2/2008	Virgilio	D7/536
D562,636	S *	2/2008	Weber	D7/536
D569,192	S *	5/2008	Bodum	D7/536
D598,711	S *	8/2009	Franco	D7/505
D598,713	S *	8/2009	Luft	D7/533

* cited by examiner

Primary Examiner—Marianne Pandozzi

(74) *Attorney, Agent, or Firm*—Chun-Ming Shih

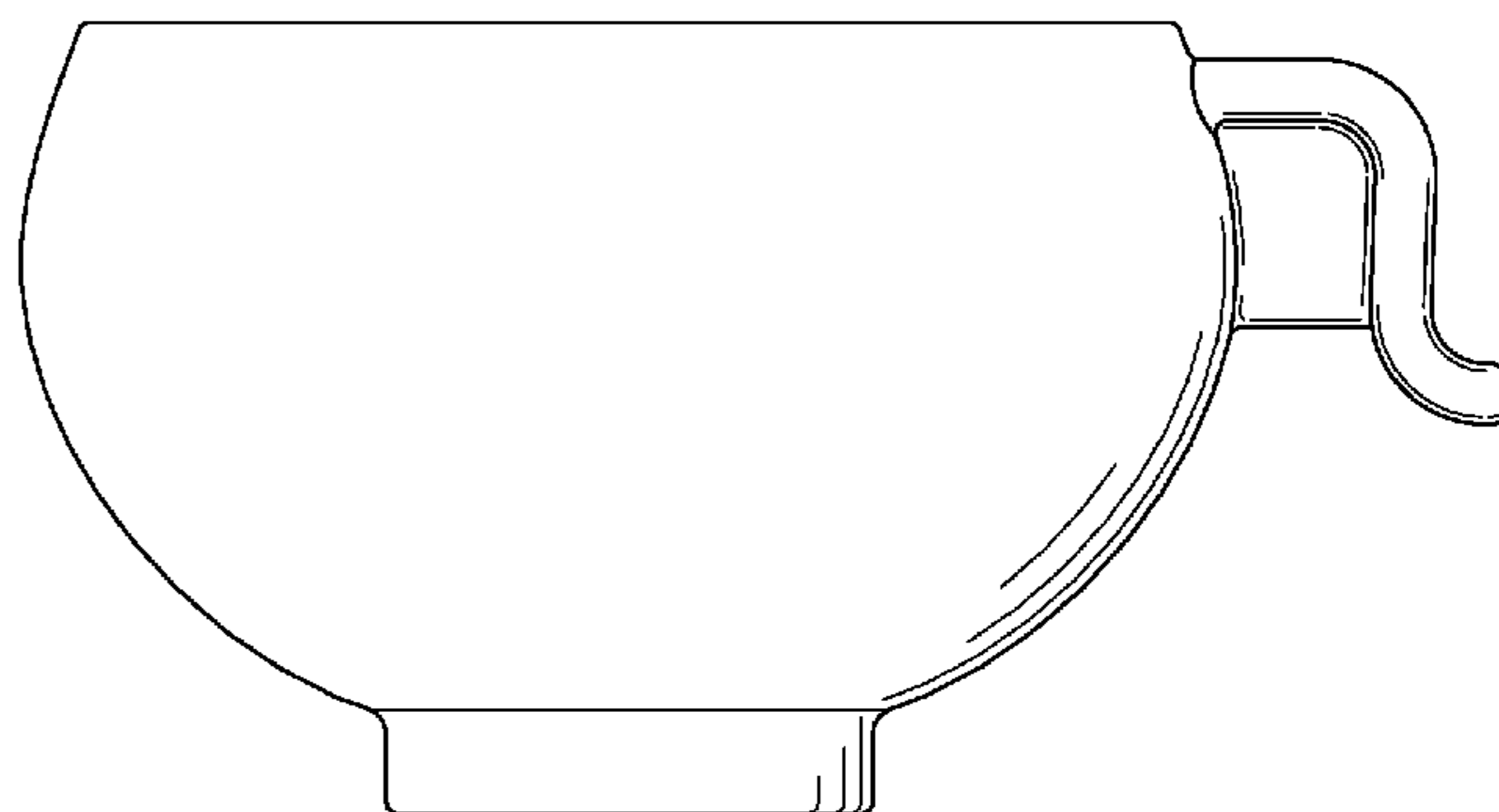
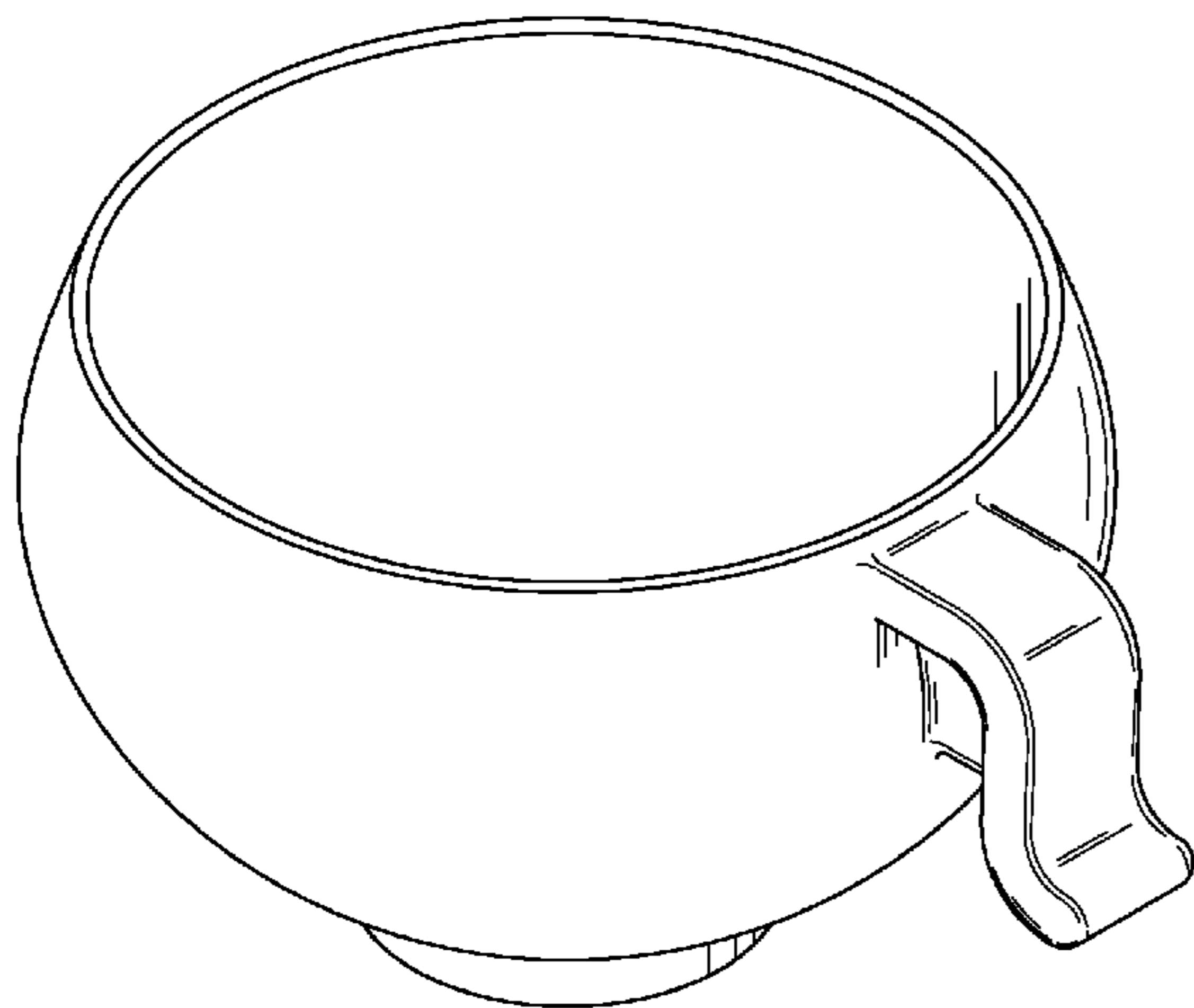
(57) **CLAIM**

The ornamental design for a cup, as shown and described.

DESCRIPTION

FIG. 1 is a perspective view of a cup showing my design;
FIG. 2 is a front elevational view thereof;
FIG. 3 is a left side elevational view thereof
FIG. 4 is a right side elevational view thereof;
FIG. 5 is a top plan view thereof;
FIG. 6 is a bottom plan view thereof; and,
FIG. 7 is a rear elevational view thereof.

1 Claim, 7 Drawing Sheets



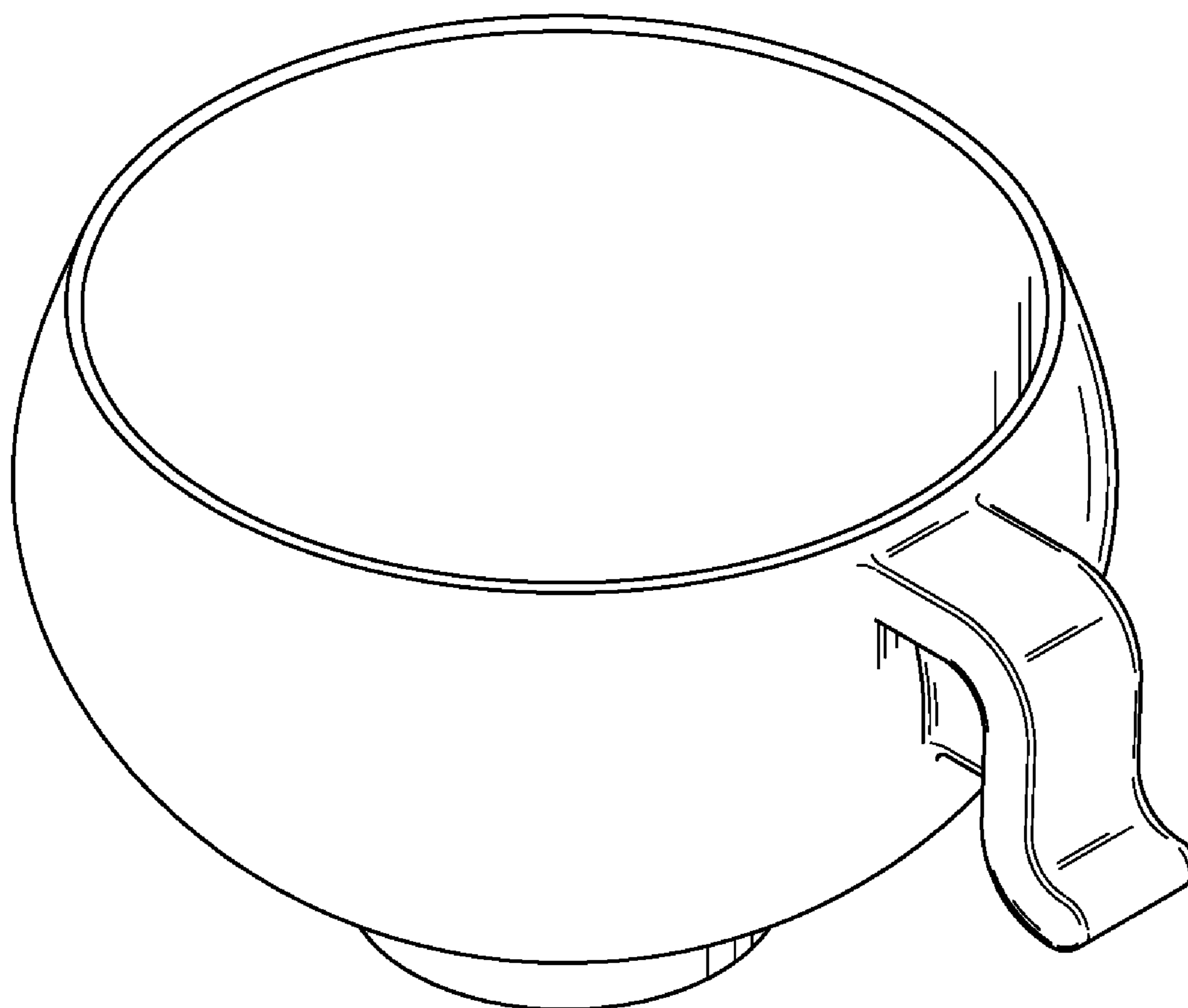


FIG. 1

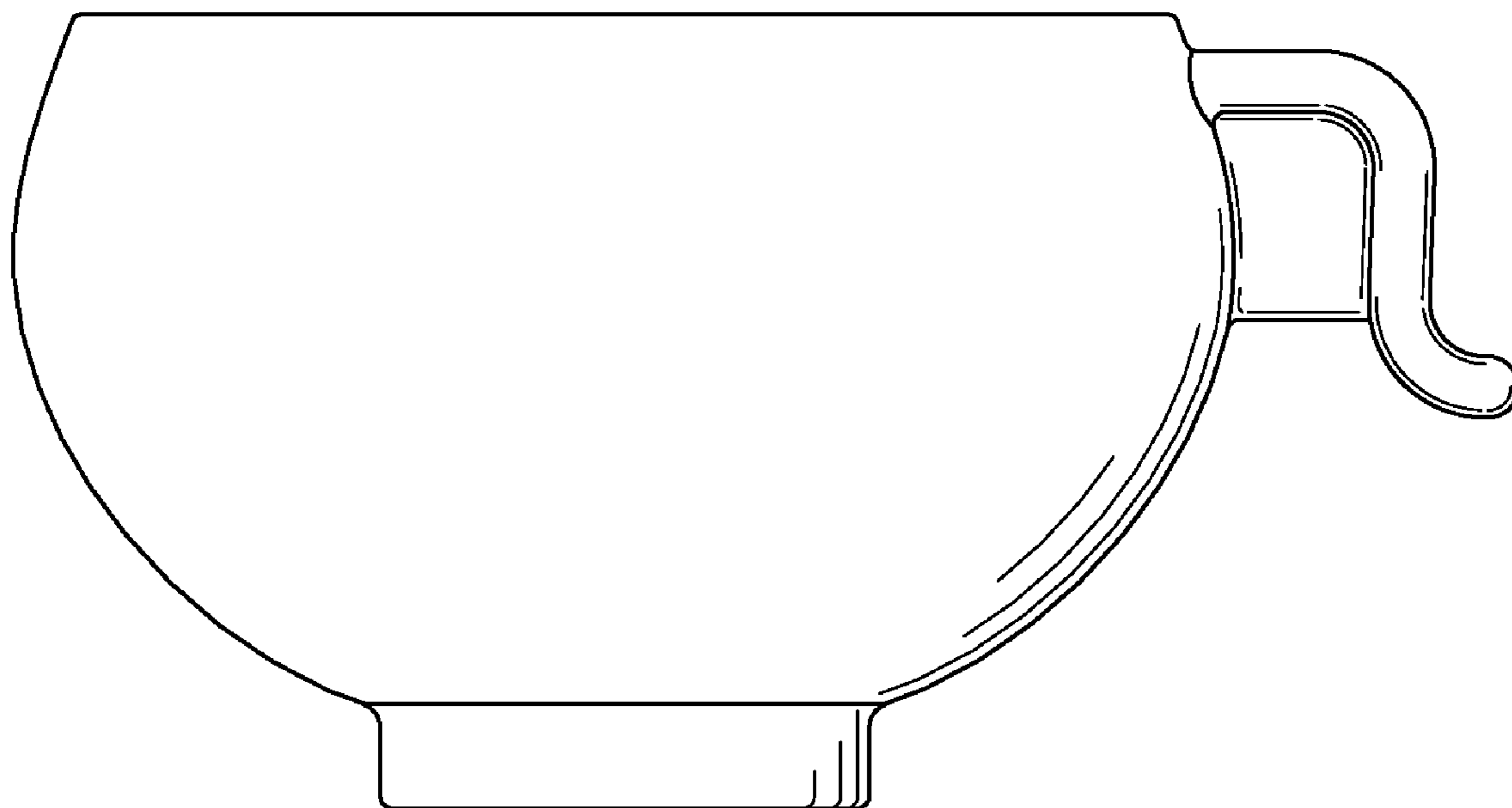


FIG. 2

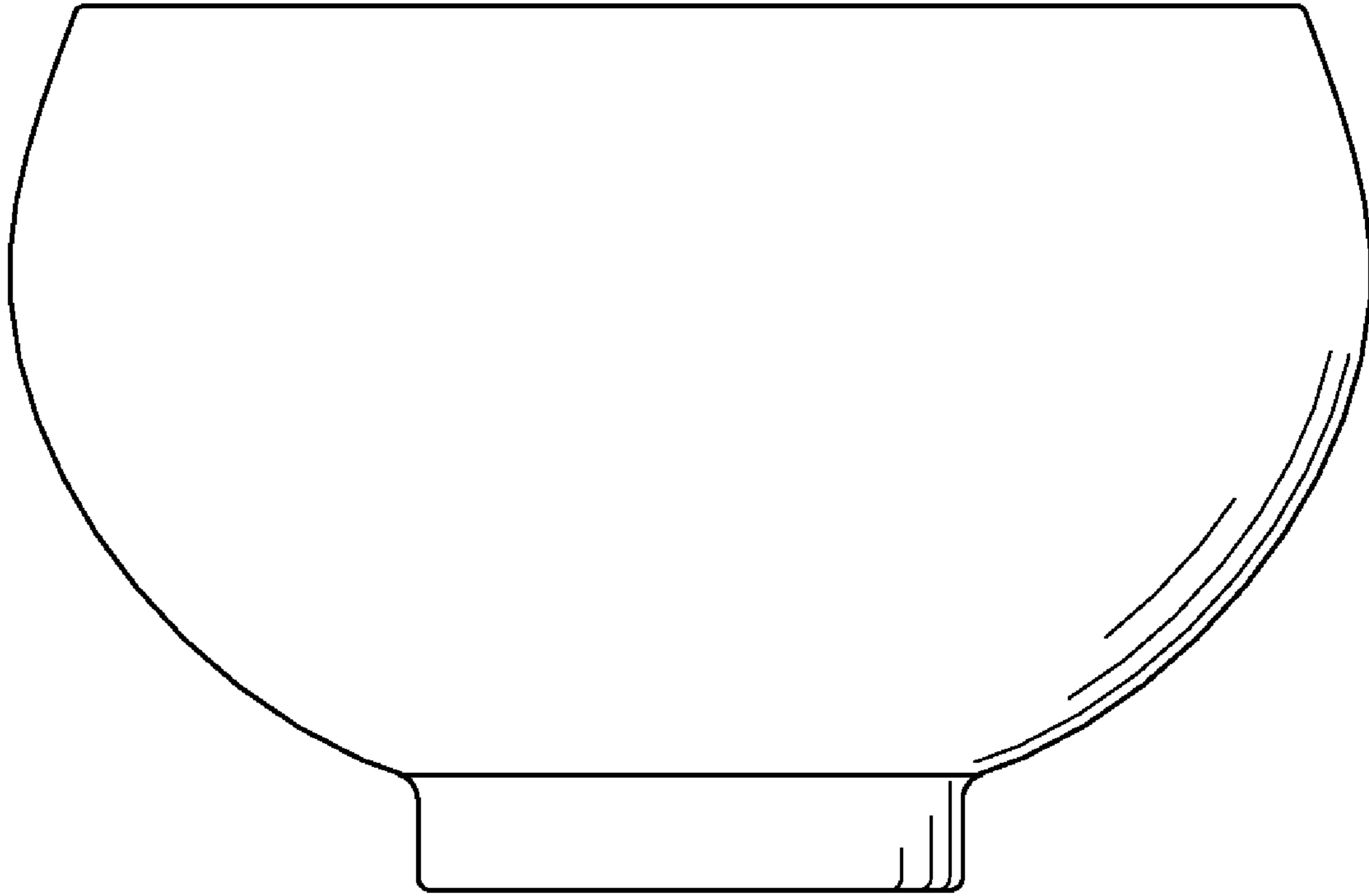


FIG. 3

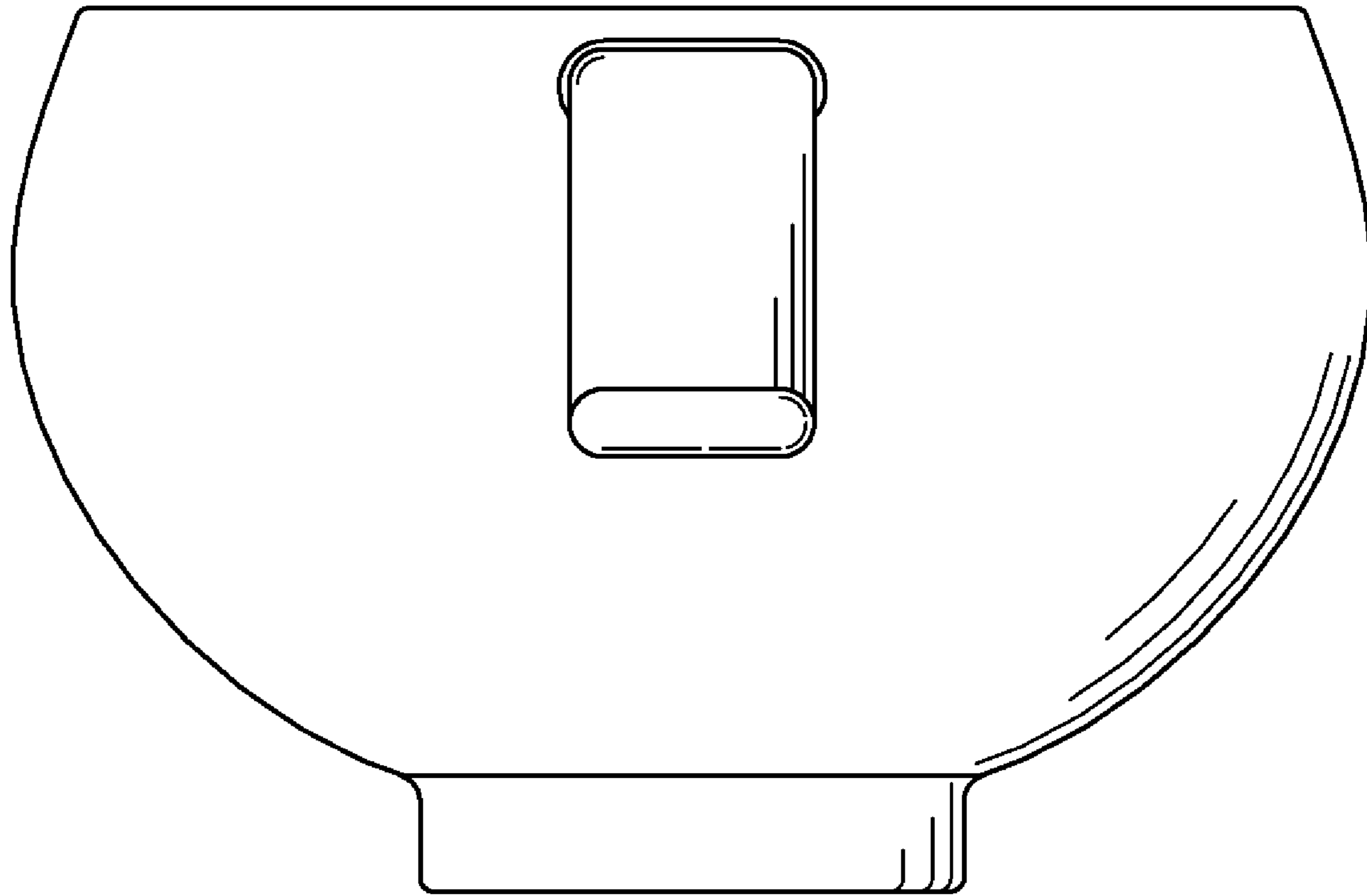


FIG. 4

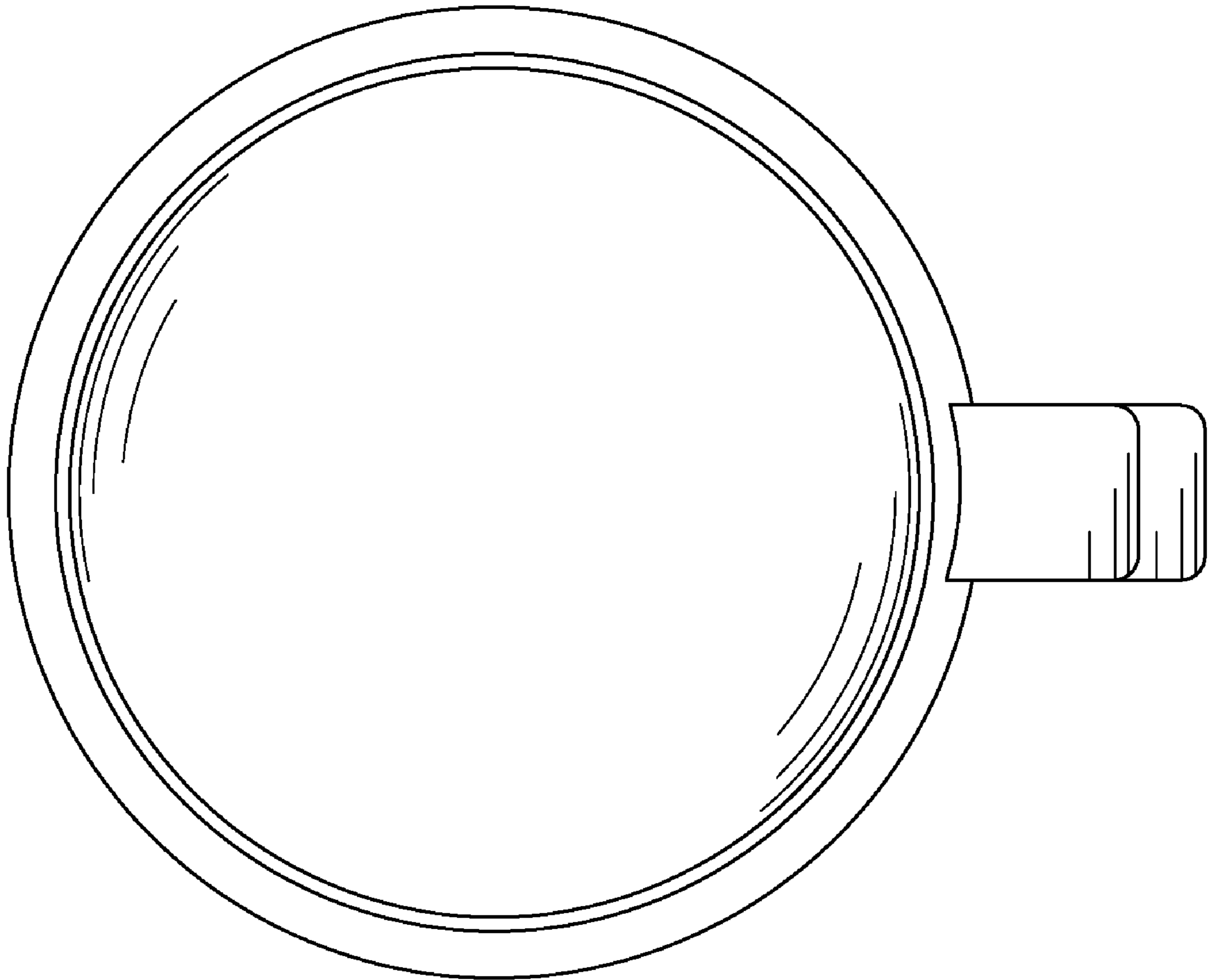


FIG. 5

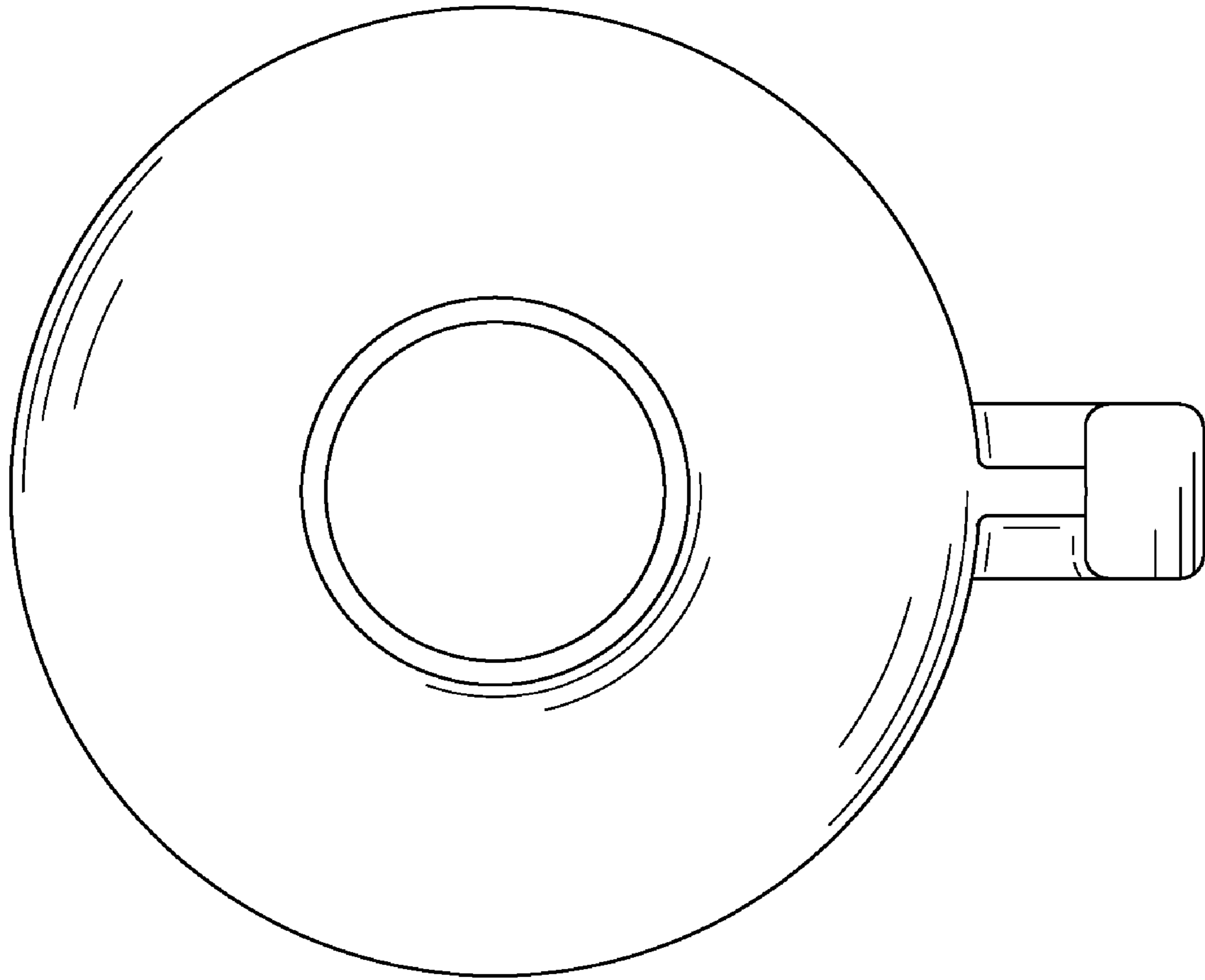


FIG. 6

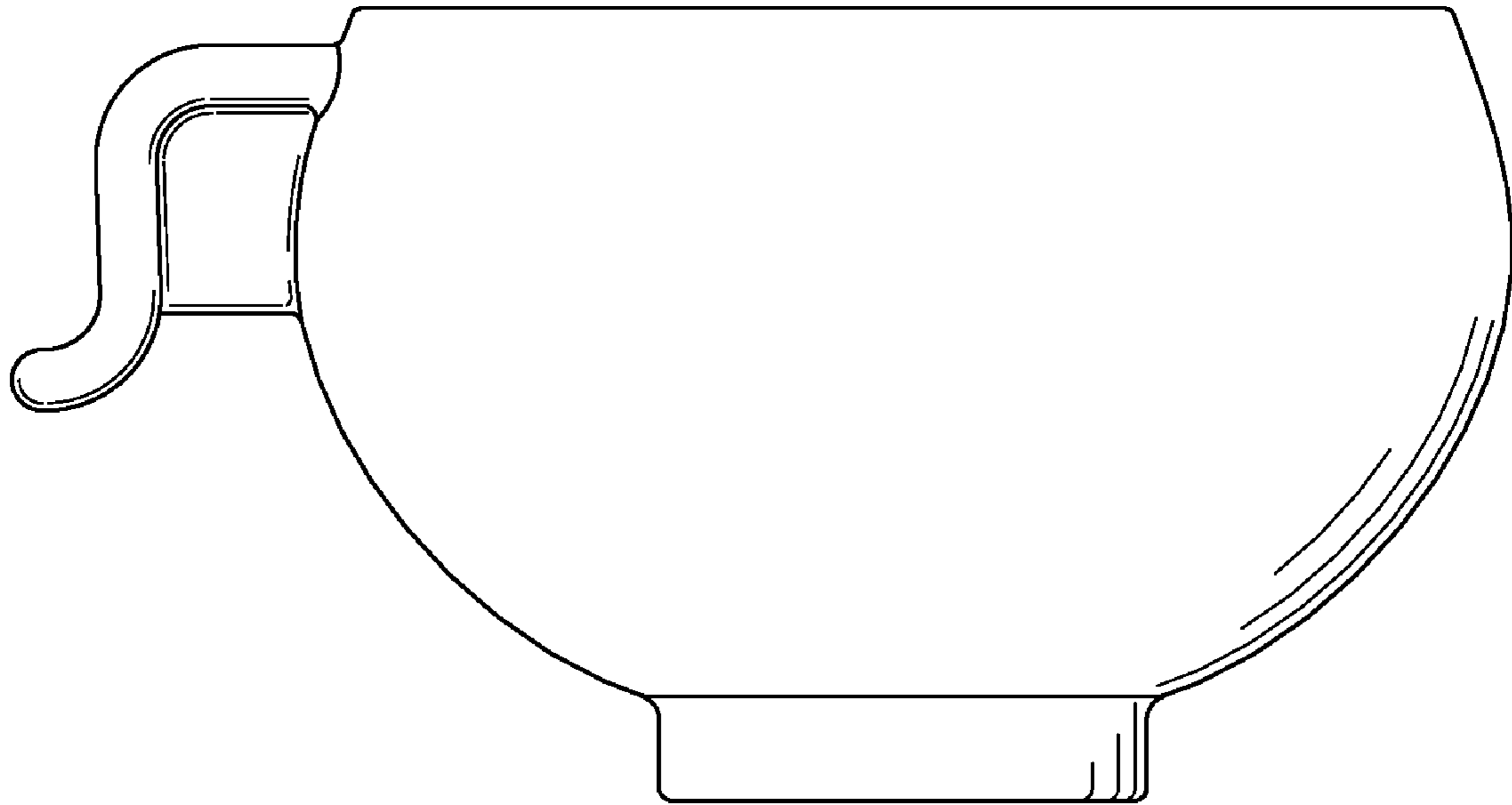


FIG. 7