



US00D620750S

(12) **United States Design Patent**
Lee

(10) **Patent No.:** **US D620,750 S**
(45) **Date of Patent:** **** Aug. 3, 2010**

(54) **COOKING TRAY**

(75) Inventor: **Karl O. Lee**, Downers Grove, IL (US)

(73) Assignee: **Supreme Cooking Systems, Inc.**,
Downers Grove, IL (US)

(**) Term: **14 Years**

(21) Appl. No.: **29/344,319**

(22) Filed: **Sep. 28, 2009**

Related U.S. Application Data

(63) Continuation of application No. 11/075,248, filed on
Mar. 8, 2005.

(51) **LOC (9) Cl.** **07-02**

(52) **U.S. Cl.** **D7/402**

(58) **Field of Classification Search** D7/362-363,
D7/365, 367, 402, 409, 354, 357.359; 99/339-340,
99/422, 447-448; 126/211, 40, 214 R; 220/573.1
See application file for complete search history.

(56) **References Cited**

U.S. PATENT DOCUMENTS

224,625	A	2/1880	Ashcroft	
D34,508	S *	5/1901	Griswold, Jr.	D7/402
712,988	A	11/1902	Warren	
1,105,663	A	6/1911	Notman	
1,275,301	A	8/1916	Pickup	
1,563,026	A	11/1925	Hollands	
2,198,647	A *	4/1940	Wolcott	99/340
D178,084	S *	6/1956	Reed et al.	D7/359
2,786,929	A	3/1957	Michaelis	
D183,086	S *	6/1958	Collins et al.	D7/409
3,279,453	A	10/1966	Norehad	
3,344,735	A	10/1967	Kochman	
D215,514	S *	10/1969	Betzer	D7/363
3,615,146	A *	10/1971	Reaben	99/339
D227,028	S *	5/1973	Behm	D7/359
D248,208	S *	6/1978	Miller	D7/357
D248,815	S *	8/1978	Mizoguchi	D7/409
D251,176	S *	2/1979	Lewis	D7/359
D269,586	S *	7/1983	Allgeyer et al.	D7/359

D277,254	S *	1/1985	Matsuhisa	D7/359
D303,481	S	9/1989	Savell	
D312,747	S *	12/1990	Keung	D7/367
5,131,320	A *	7/1992	Jensen et al.	99/422

(Continued)

FOREIGN PATENT DOCUMENTS

FR 2655830 6/1991

(Continued)

OTHER PUBLICATIONS

“Supreme Griddle Pan” Retrieved from internet: <http://site.supremecookingsystems.com/>. retrieved on Feb. 4, 2010.*

Primary Examiner—Ruth McInroy

(57) **CLAIM**

The ornamental design for a cooking tray, as shown and described.

DESCRIPTION

FIG. 1 is a perspective view as seen from the top, rear and left-side perspective view of a cooking tray showing my new design;

FIG. 2 is a top plan view thereof;

FIG. 3 is a bottom, rear and left-side perspective view thereof;

FIG. 4 is a bottom plan view thereof;

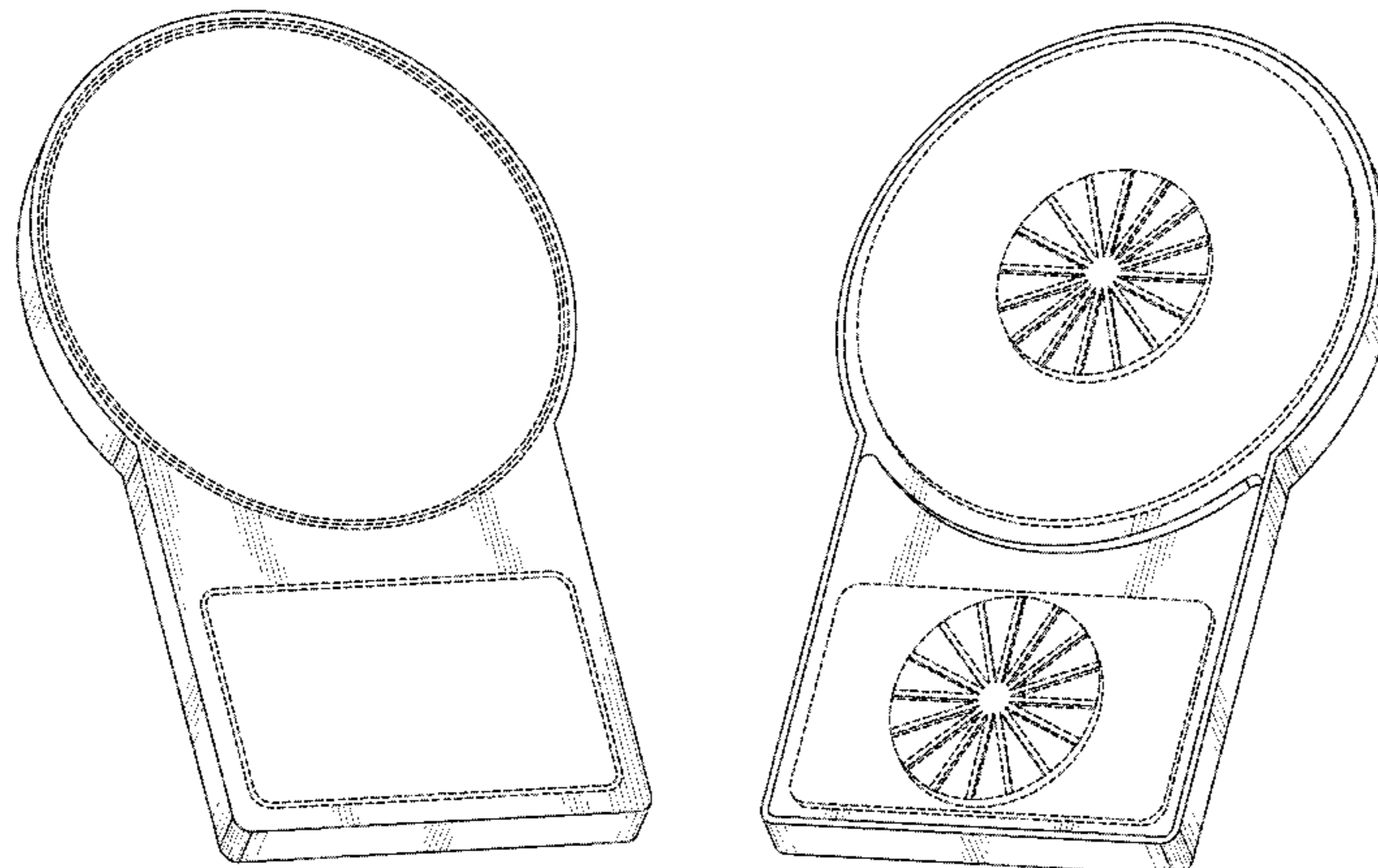
FIG. 5 is a right side elevation view thereof; the left side being a mirror image;

FIG. 6 is a front elevation view thereof; and,

FIG. 7 is a rear elevation view thereof.

The burner grate mounts and cooking surfaces shown in broken lines are for illustrative purposes only and form no part of the claimed design.

1 Claim, 5 Drawing Sheets



US D620,750 S

Page 2

U.S. PATENT DOCUMENTS

5,497,696 A * 3/1996 Coudurier et al. 99/422
D373,285 S * 9/1996 Coroama et al. D7/359
5,967,022 A * 10/1999 Moschella 99/339
D420,851 S 2/2000 Wagner et al.
D442,426 S 5/2001 Garber et al.
D458,797 S 6/2002 Kellermann
D508,818 S 8/2005 Hawkins et al.
6,990,893 B2 * 1/2006 Cheng 99/422

D570,154 S * 6/2008 Wang D7/359
D580,700 S * 11/2008 Corcoran D7/354
D586,612 S * 2/2009 Rae D7/354
D588,399 S * 3/2009 Vrbanek D7/359
2006/0201497 A1 * 9/2006 Lee 126/211

FOREIGN PATENT DOCUMENTS

GB 2127280 4/1984

* cited by examiner

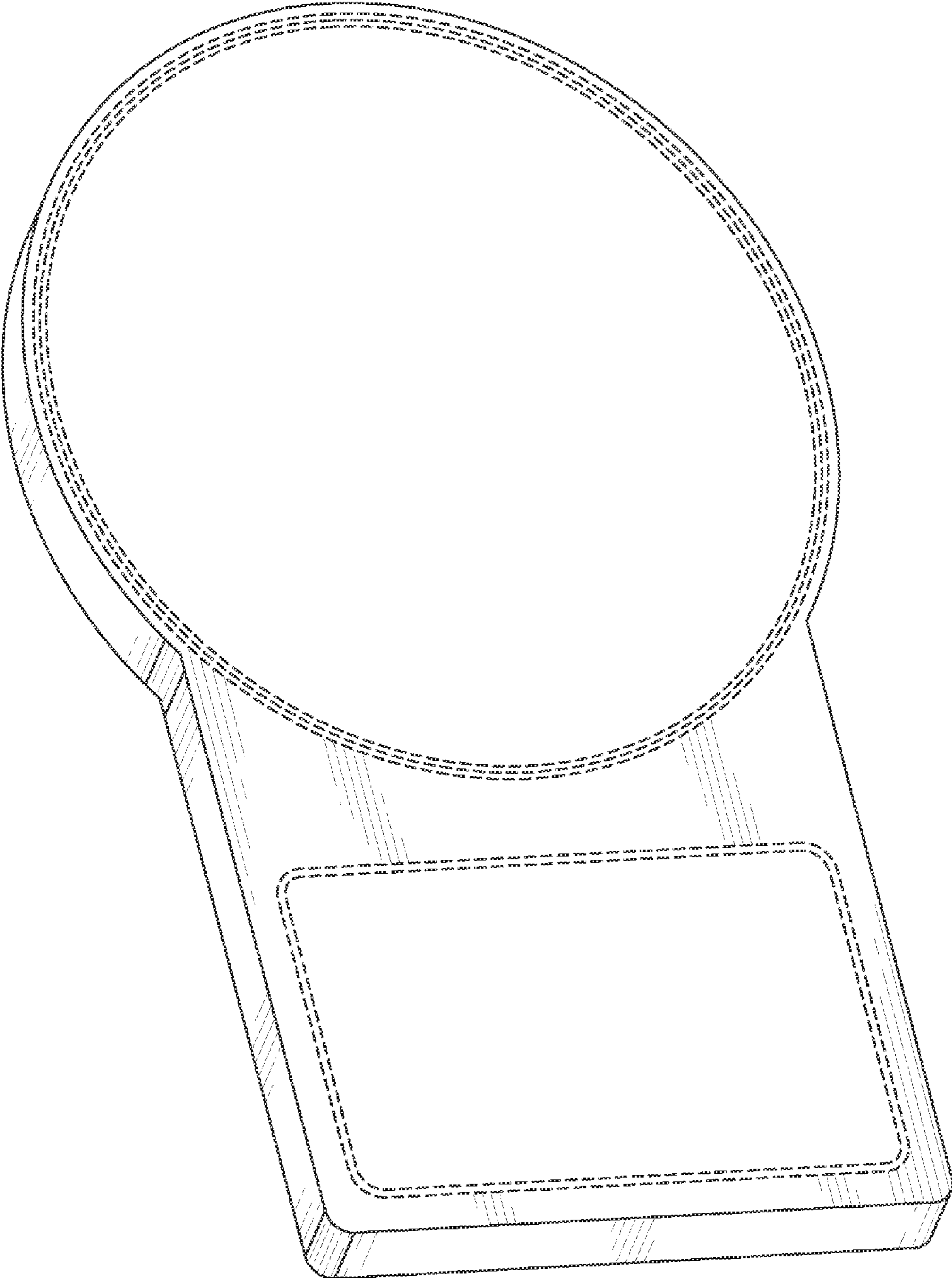


FIG. 1

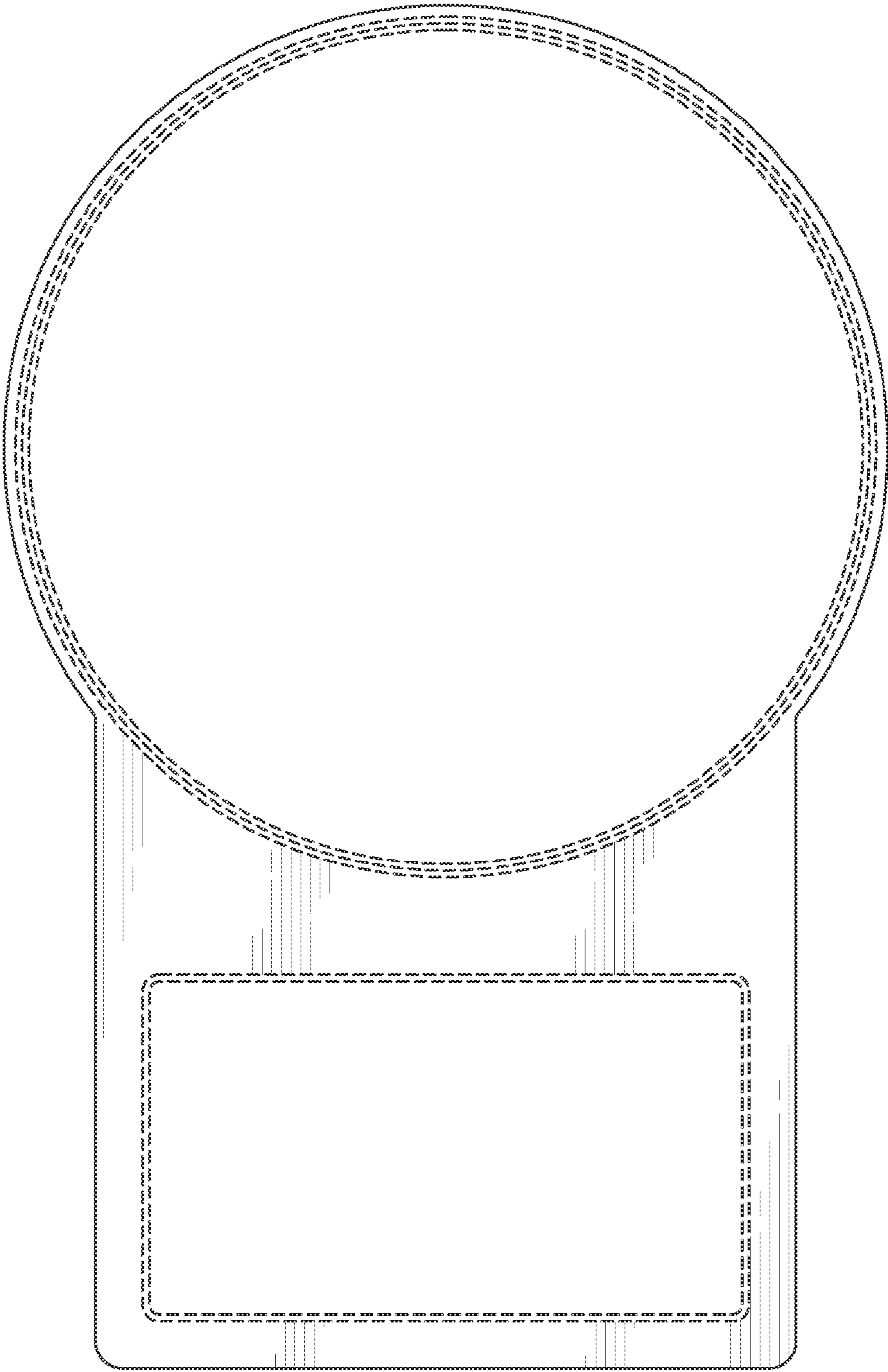


FIG. 2

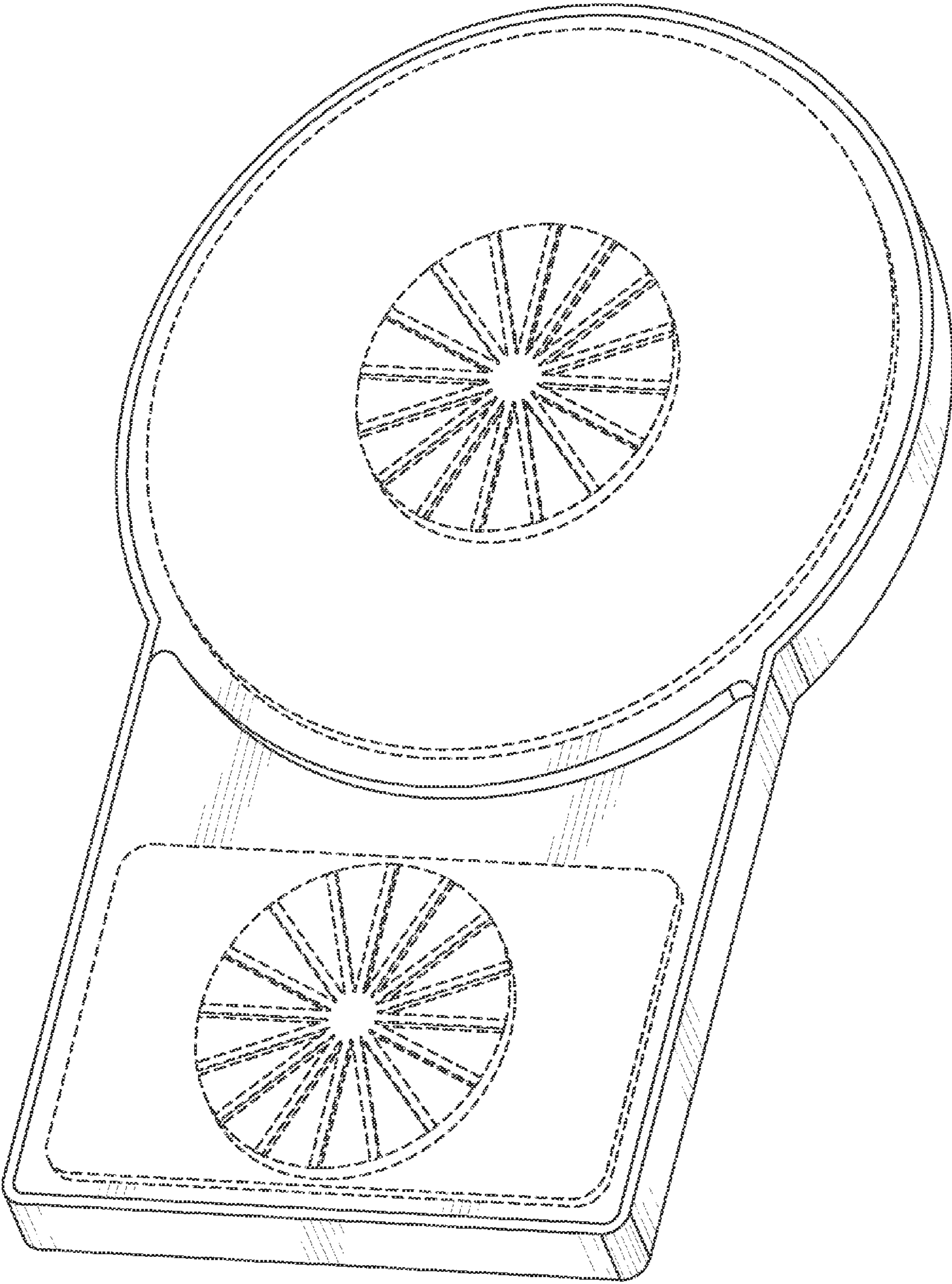


FIG. 3

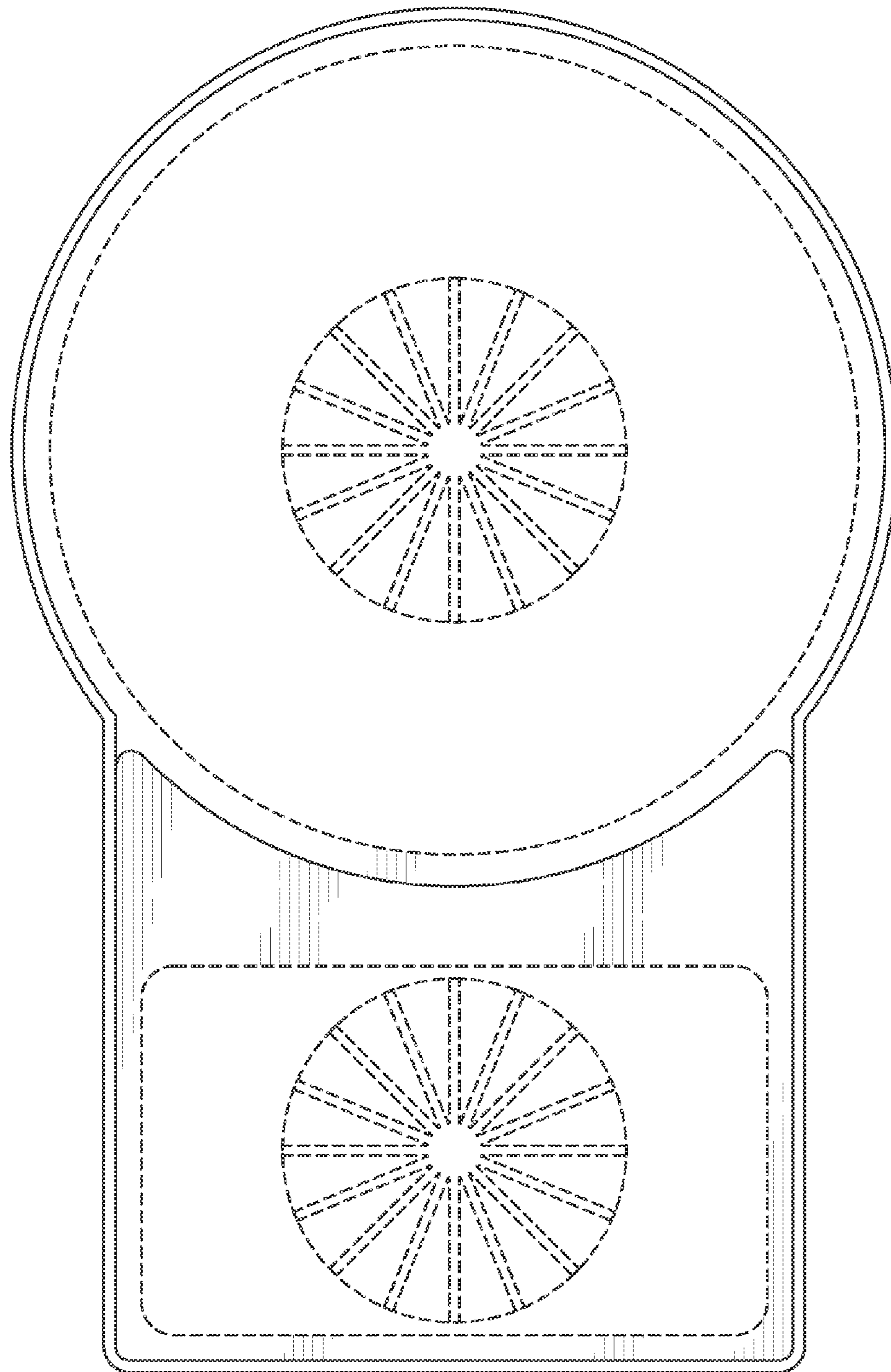


FIG. 4

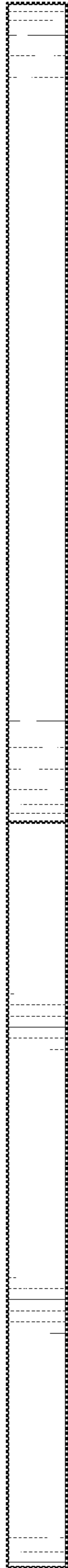


FIG. 5



FIG. 6

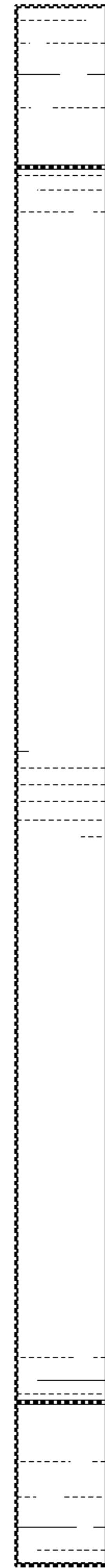


FIG. 7