



US00D620748S

(12) **United States Design Patent**
Munari

(10) **Patent No.:** **US D620,748 S**

(45) **Date of Patent:** **** Aug. 3, 2010**

(54) **COOKWARE HANDLE**

(75) Inventor: **Marco Munari**, Cardano Al Campo (IT)

(73) Assignee: **La Termoplastico F.B.M. - S.R.L.**,
Serpio (IT)

(**) Term: **14 Years**

(21) Appl. No.: **29/331,306**

(22) Filed: **Jan. 23, 2009**

(30) **Foreign Application Priority Data**

Jul. 25, 2008 (EM) 000976717

(51) **LOC (9) Cl.** **07-02**

(52) **U.S. Cl.** **D7/394**

(58) **Field of Classification Search** D7/354-361,
D7/391, 393, 394; D8/300, 301, 305, 307,
D8/308, 310, 311, 312, 316, 319, 320; 220/752;
16/110.1, 402, 410, 412, 414, 417, 433, 441-443;
D3/318; D4/129

See application file for complete search history.

(56) **References Cited**

U.S. PATENT DOCUMENTS

D391,444 S * 3/1998 Munari D7/394
D444,345 S * 7/2001 Rae D7/394
D470,011 S * 2/2003 Munari D7/394

D496,557 S * 9/2004 Munari D7/394
D510,231 S * 10/2005 Coudurier D7/393
D525,079 S * 7/2006 Munari D7/394
D561,524 S * 2/2008 Munari D7/394
D584,920 S * 1/2009 Munari D7/394

* cited by examiner

Primary Examiner—Philip S Hyder

Assistant Examiner—Cynthia M Chin

(74) *Attorney, Agent, or Firm*—Ladas and Parry LLP

(57) **CLAIM**

I claim the design for a cookware handle, as shown and described.

DESCRIPTION

FIG. 1 is a bottom view of my new design for a cookware handle;

FIG. 2 is a side elevation view thereof (the opposite side view being symmetrical);

FIG. 3 is a top plan view thereof;

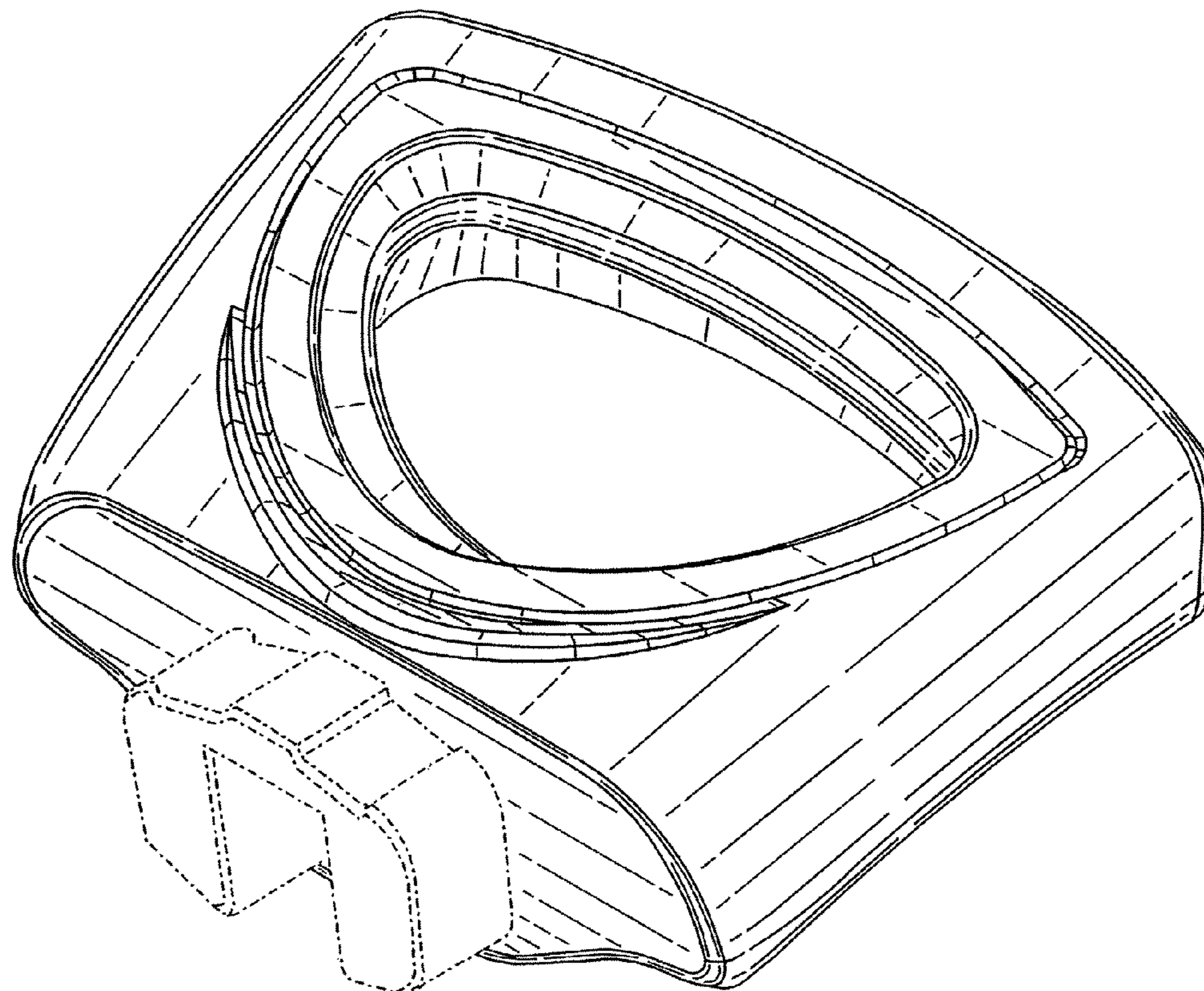
FIG. 4 is a front elevation view thereof;

FIG. 5 is a rear elevation view thereof; and,

FIG. 6 is a top/side elevation view thereof.

Features shown in broken lines show environmental structure and form no part of the claimed design.

1 Claim, 4 Drawing Sheets



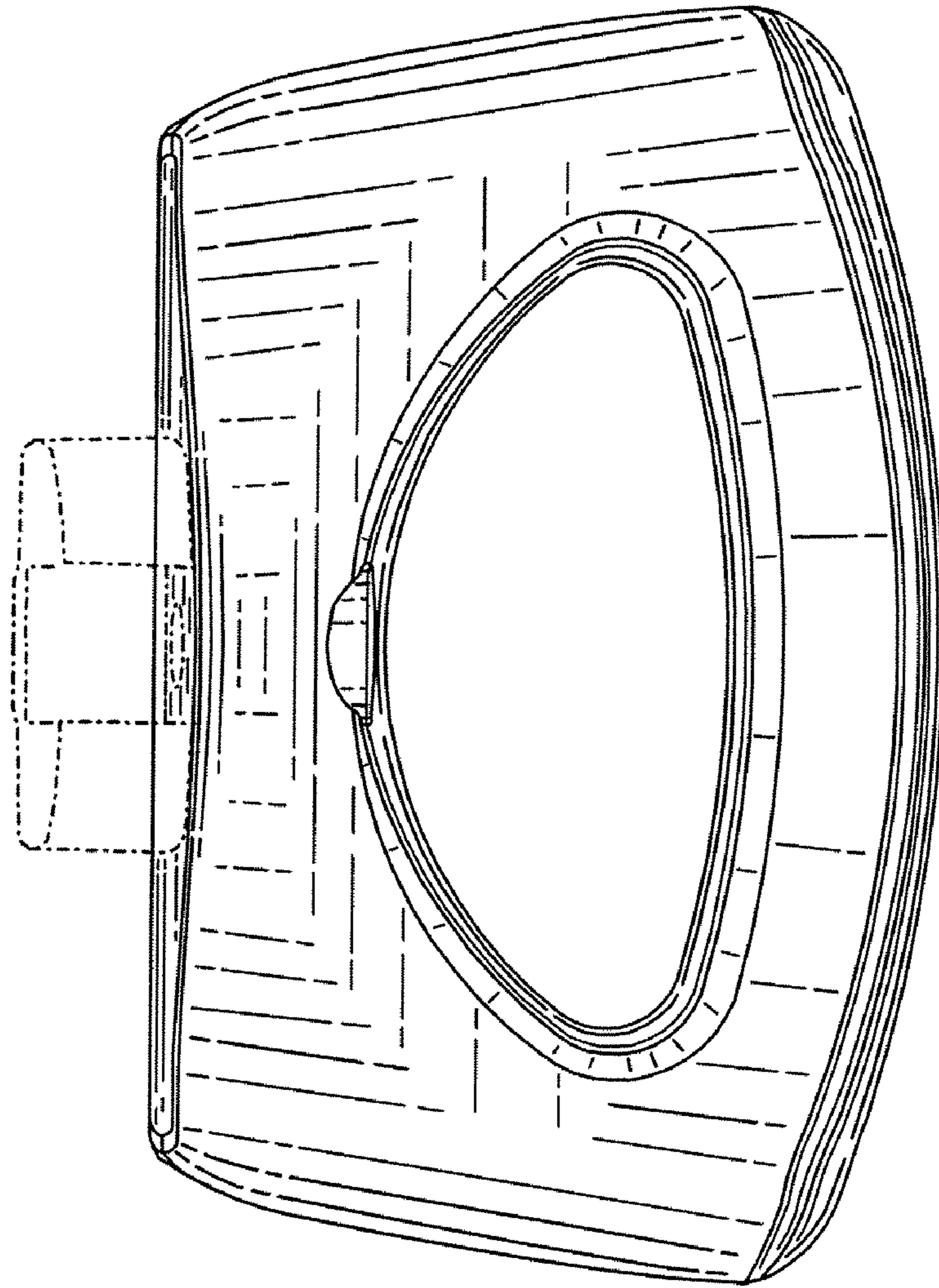


FIG. 1

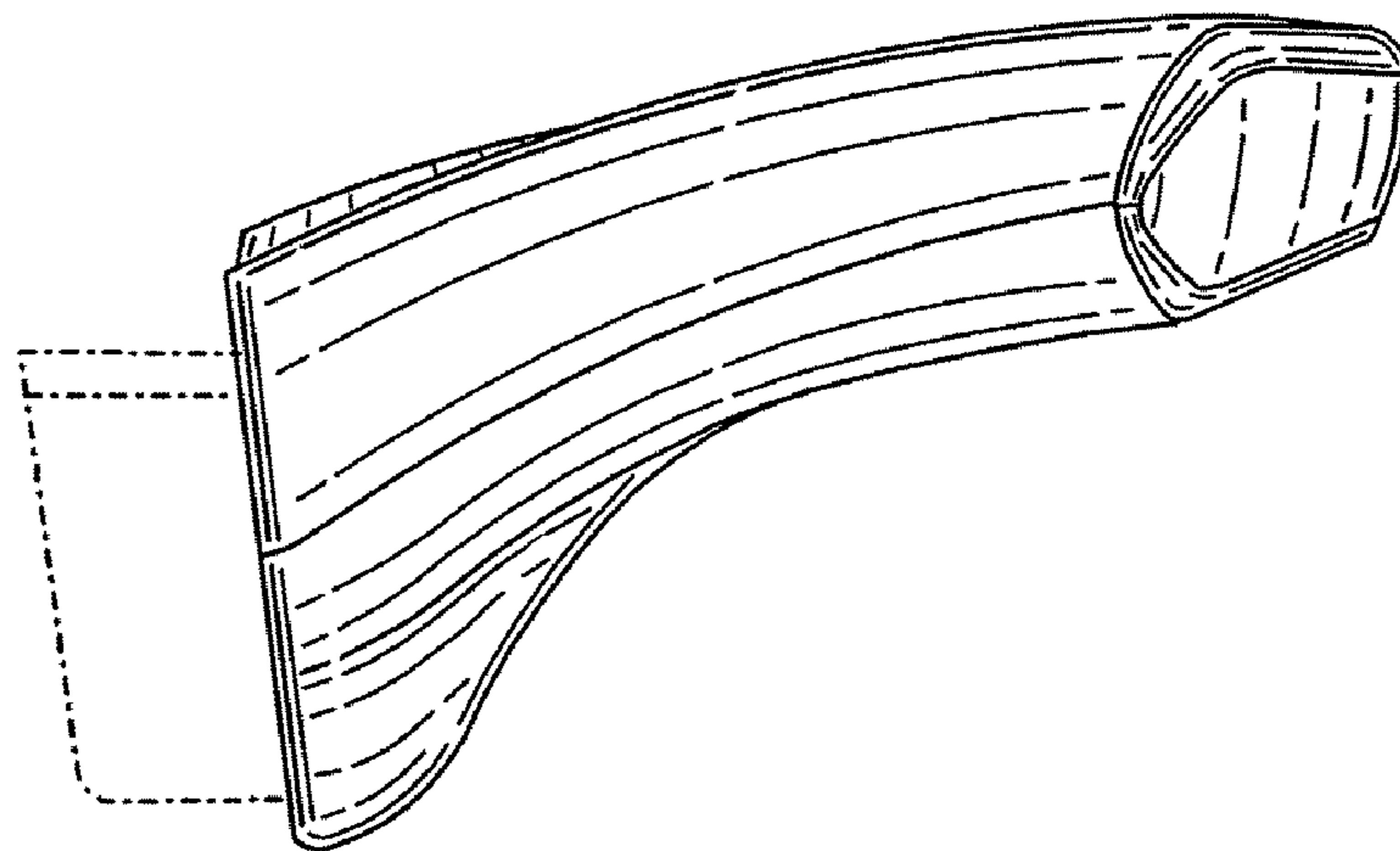


FIG. 2

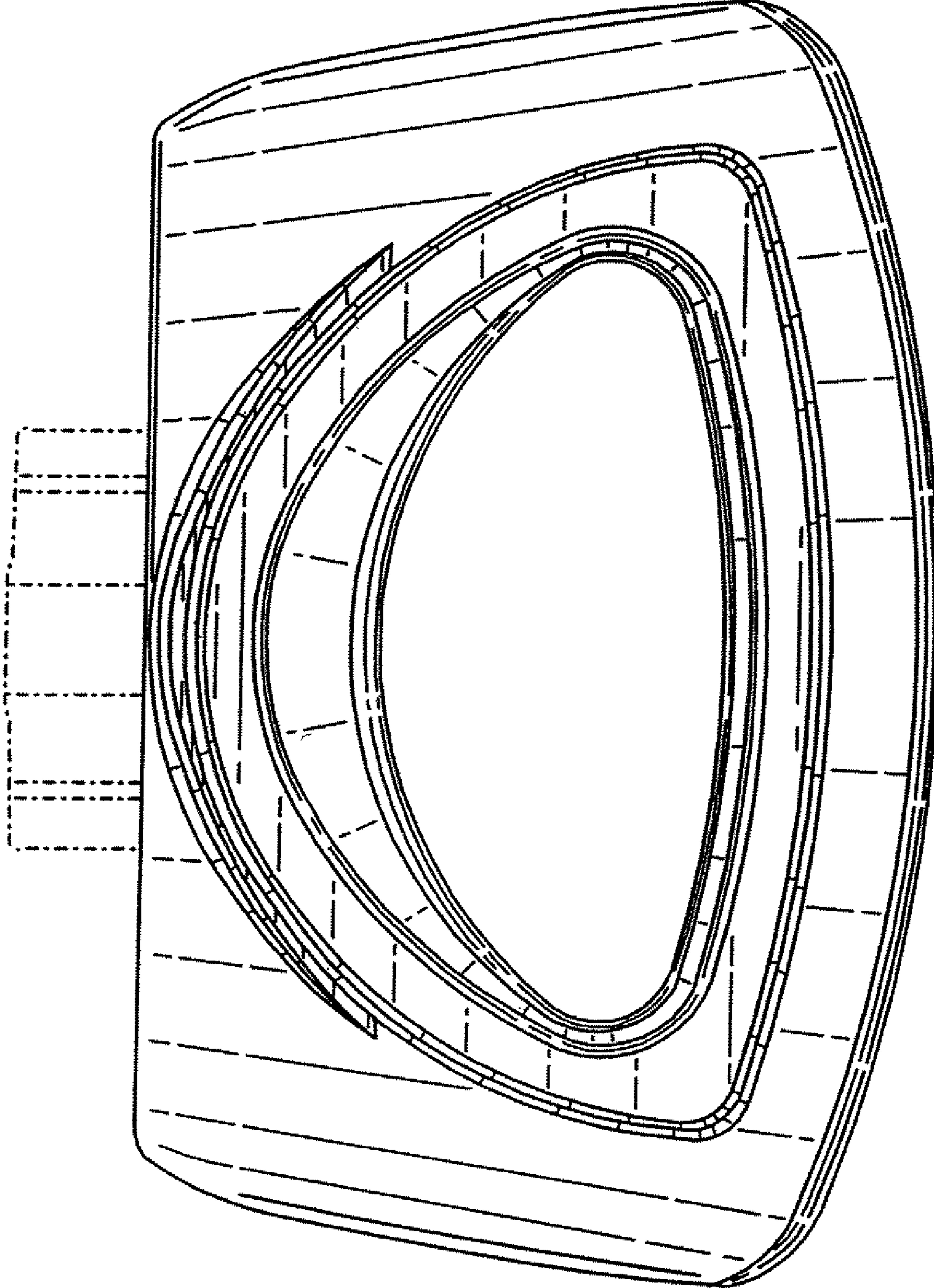


FIG. 3

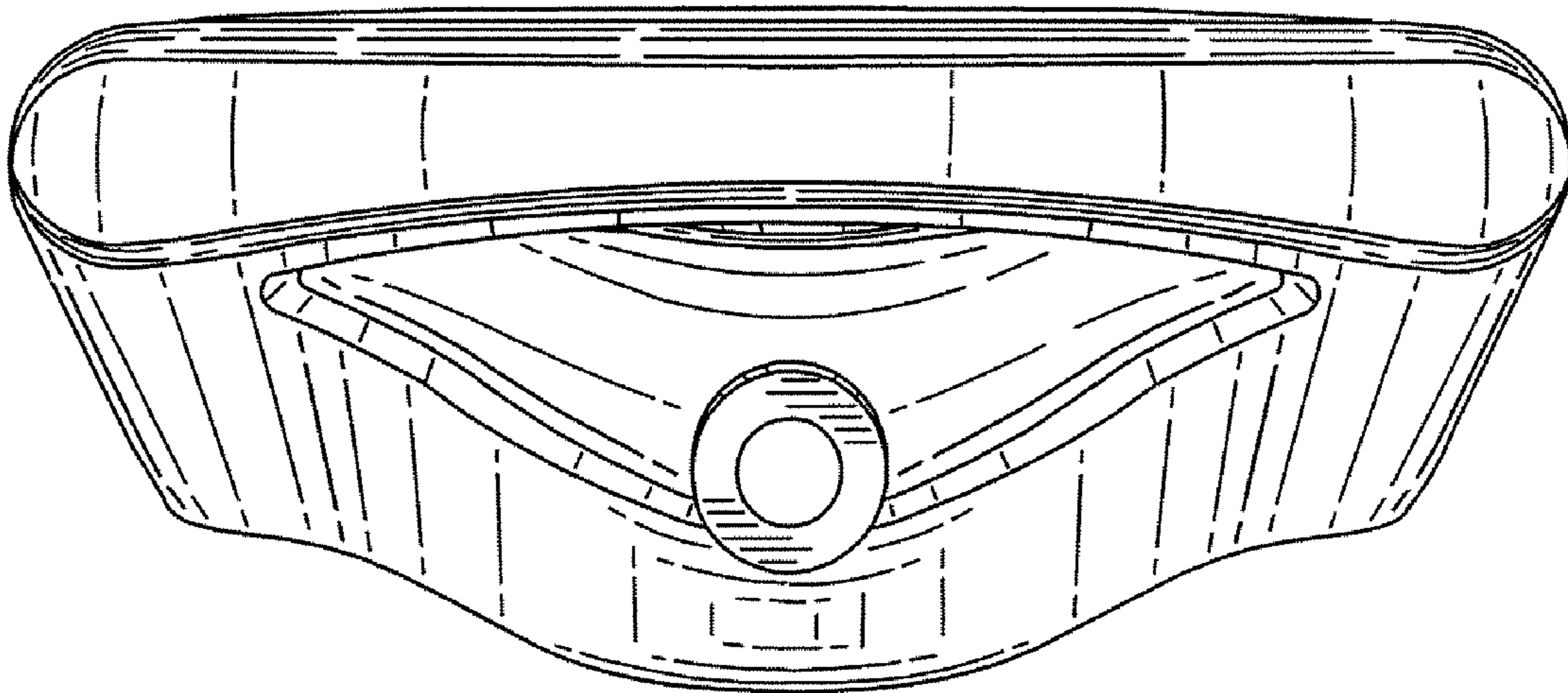


FIG. 4

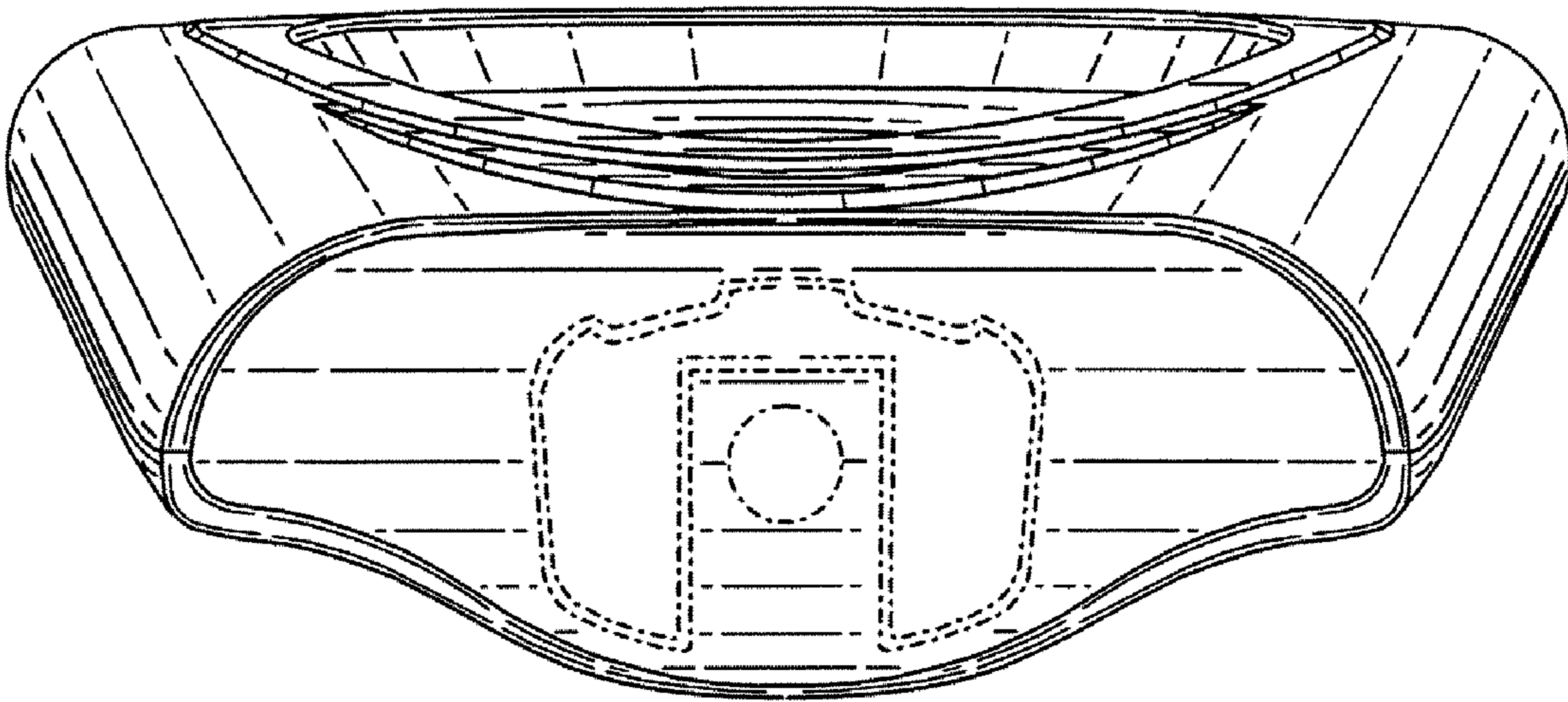


FIG. 5

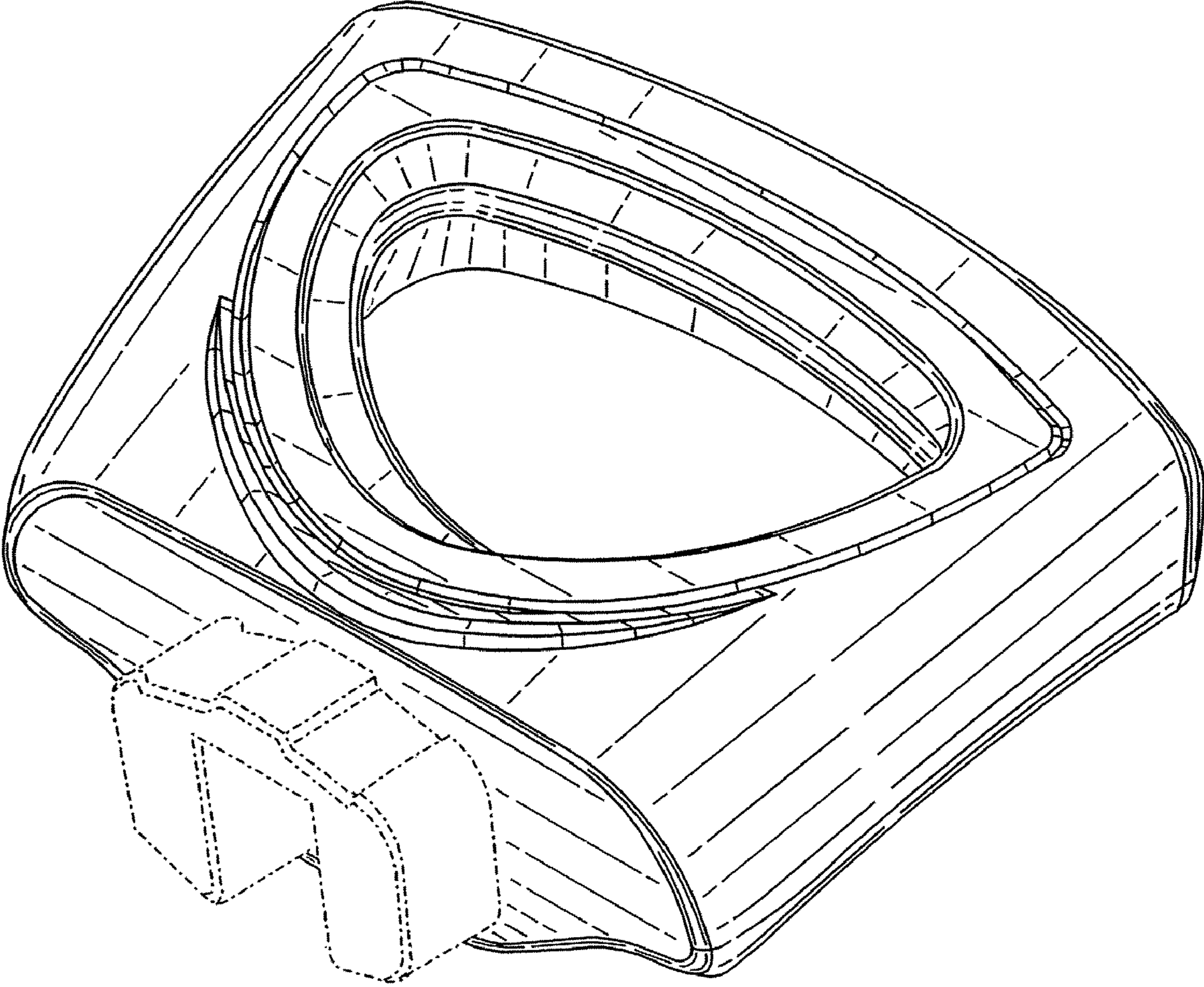


FIG. 6

UNITED STATES PATENT AND TRADEMARK OFFICE
CERTIFICATE OF CORRECTION

PATENT NO. : D620,748 S
APPLICATION NO. : 29/331306
DATED : August 3, 2010
INVENTOR(S) : Marco Munari

Page 1 of 1

It is certified that error appears in the above-identified patent and that said Letters Patent is hereby corrected as shown below:

Title page, item (73) assignee: "Serpio" should read --Arsago Seprio--.

Signed and Sealed this
Nineteenth Day of July, 2011

A handwritten signature in black ink that reads "David J. Kappos". The signature is written in a cursive, slightly slanted style.

David J. Kappos
Director of the United States Patent and Trademark Office