



US00D620747S

(12) **United States Design Patent**
Taketani et al.

(10) **Patent No.:** **US D620,747 S**

(45) **Date of Patent:** **** Aug. 3, 2010**

(54) **CONTAINER LID**

(75) Inventors: **Hiroshi Taketani**, Toyonaka (JP);
Nobuhiro Iwamura, Toyonaka (JP)

(73) Assignee: **Takeya USA, Inc.**, Huntington Beach,
CA (US)

(**) Term: **14 Years**

(21) Appl. No.: **29/343,276**

(22) Filed: **Sep. 10, 2009**

(51) **LOC (9) Cl.** **07-02**

(52) **U.S. Cl.** **D7/392.1**

(58) **Field of Classification Search** D7/300,
D7/302, 303, 309, 316–319, 392, 392.1, 396.1,
D7/396.2, 397, 398, 399, 511, 533, 629;
D9/434, 435, 436, 443, 447, 449, 450; 215/200;
220/200, 203.04, 203.05, 203.06, 203.09,
220/212.5, 700, 711, 715; 222/568–570,
222/470–474, 475.1, 517

See application file for complete search history.

(56) **References Cited**

U.S. PATENT DOCUMENTS

| | | | | |
|---------------|---------|-----------|-------|---------|
| D110,559 S * | 7/1938 | Bernhardt | | D7/392 |
| D112,150 S * | 11/1938 | Pershall | | D7/392 |
| D114,536 S * | 5/1939 | Hacmac | | D7/392 |
| D116,511 S * | 9/1939 | Bernhardt | | D7/392 |
| D119,501 S * | 3/1940 | Moss | | D7/392 |
| D121,154 S * | 6/1940 | Bernhardt | | D7/392 |
| 2,272,798 A * | 2/1942 | Hacmac | | 222/517 |
| D141,351 S * | 5/1945 | Bernhardt | | D7/392 |
| 2,676,472 A * | 4/1954 | Prisk | | 222/473 |
| D203,211 S * | 12/1965 | Brocken | | D7/392 |
| D204,896 S * | 5/1966 | Scheessel | | D7/392 |
| 4,051,984 A * | 10/1977 | Ho | | 222/471 |
| D258,712 S * | 3/1981 | Jacobson | | D7/317 |

| | | | | |
|---------------|---------|-----------------|-------|----------|
| D344,428 S * | 2/1994 | Ancona et al. | | D7/318 |
| 5,344,037 A | 9/1994 | Favre | | |
| 5,413,257 A * | 5/1995 | Amberger et al. | | 222/472 |
| D376,065 S * | 12/1996 | Ito et al. | | D7/319 |
| D420,545 S * | 2/2000 | Huang | | D7/318 |
| D436,800 S * | 1/2001 | Nowak et al. | | D7/392.1 |
| 6,206,221 B1 | 3/2001 | Bando et al. | | |
| D448,995 S * | 10/2001 | McDonald | | D9/449 |
| D473,092 S * | 4/2003 | Heiberg et al. | | D7/319 |
| 7,243,816 B2 | 7/2007 | Aochi | | |
| 7,275,653 B2 | 10/2007 | Tedford, Jr. | | |
| D562,623 S * | 2/2008 | Nybakke | | D7/392 |
| D568,680 S * | 5/2008 | Hsu | | D7/397 |
| D586,178 S * | 2/2009 | Ku | | D7/392.1 |
| D600,063 S * | 9/2009 | Harbutt et al. | | D7/319 |

* cited by examiner

Primary Examiner—Cynthia M Chin

(74) *Attorney, Agent, or Firm*—Klein, O’Neill & Singh, LLP

(57) **CLAIM**

The ornamental design for a container lid, as shown and described.

DESCRIPTION

FIG. 1 is perspective view of a container lid of the present invention;

FIG. 2 is a top plan view of FIG. 1;

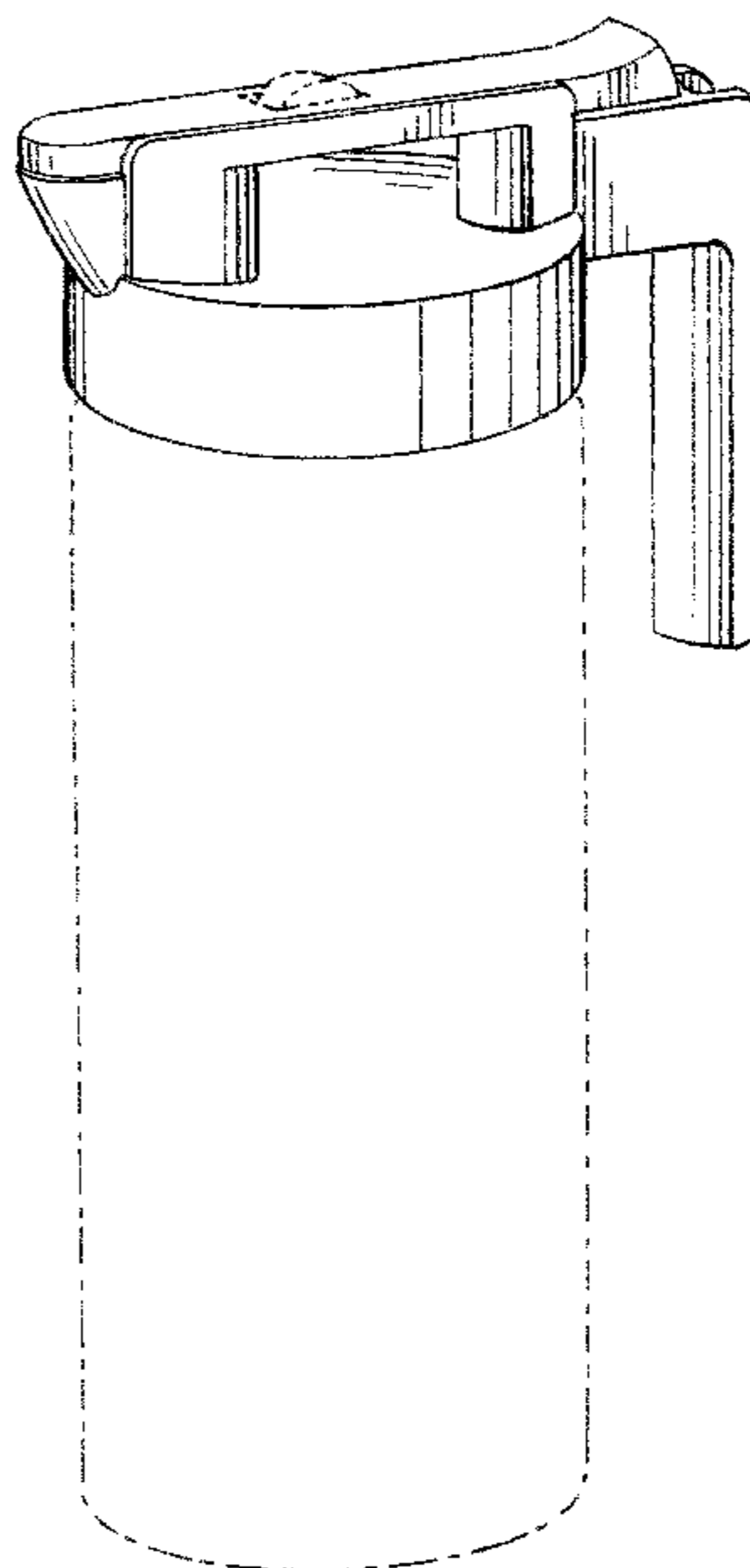
FIG. 3 is a side view of FIG. 1, the other side view being a mirror image thereof;

FIG. 4 is a front elevational view of FIG. 1; and,

FIG. 5 is a rear elevational view of FIG. 1.

The broken line portions of the drawings are for the purpose of illustrating the environment in which the article embodying the design is used and forms no part of the claimed design.

1 Claim, 3 Drawing Sheets



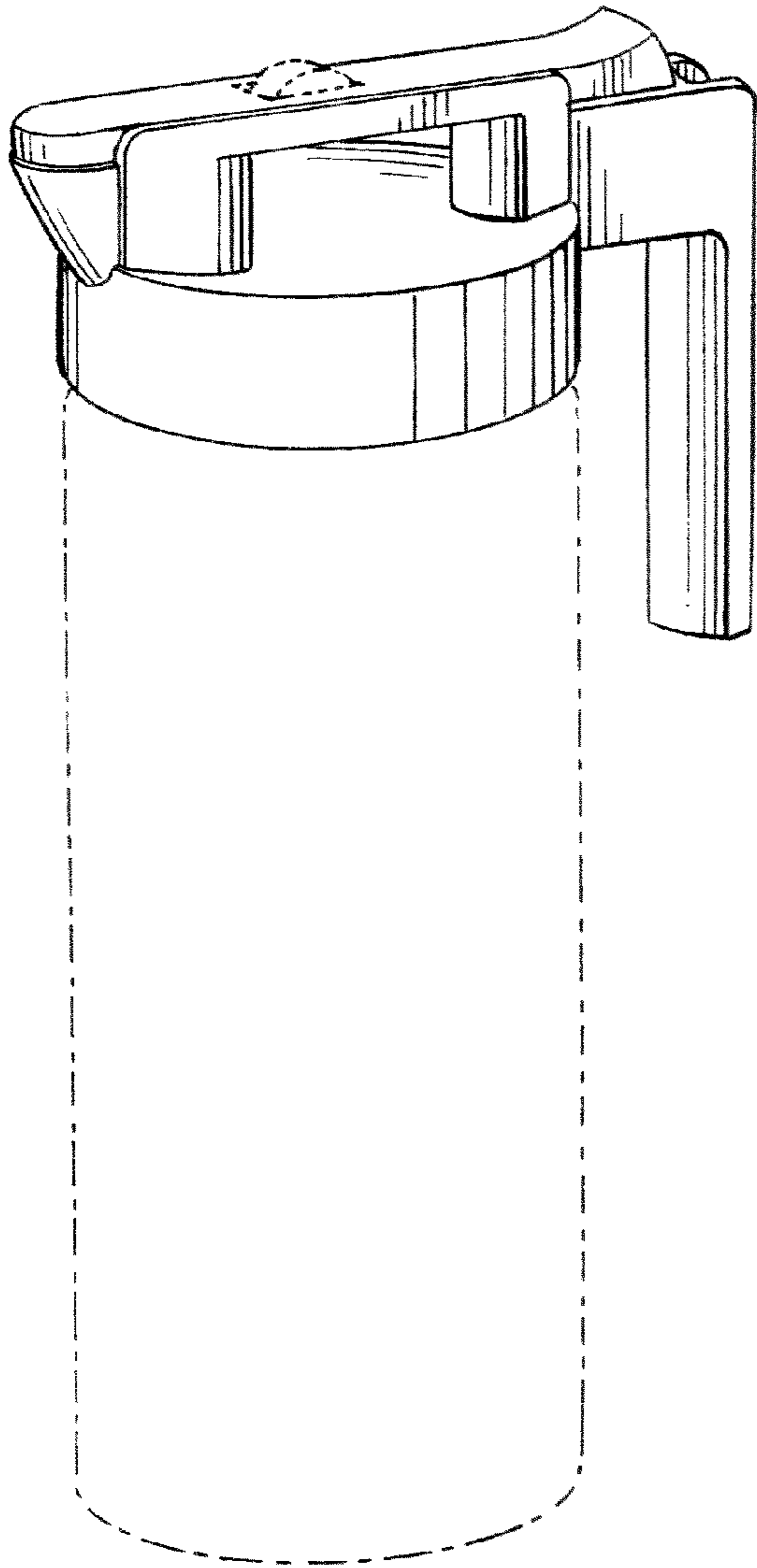


FIG. 1

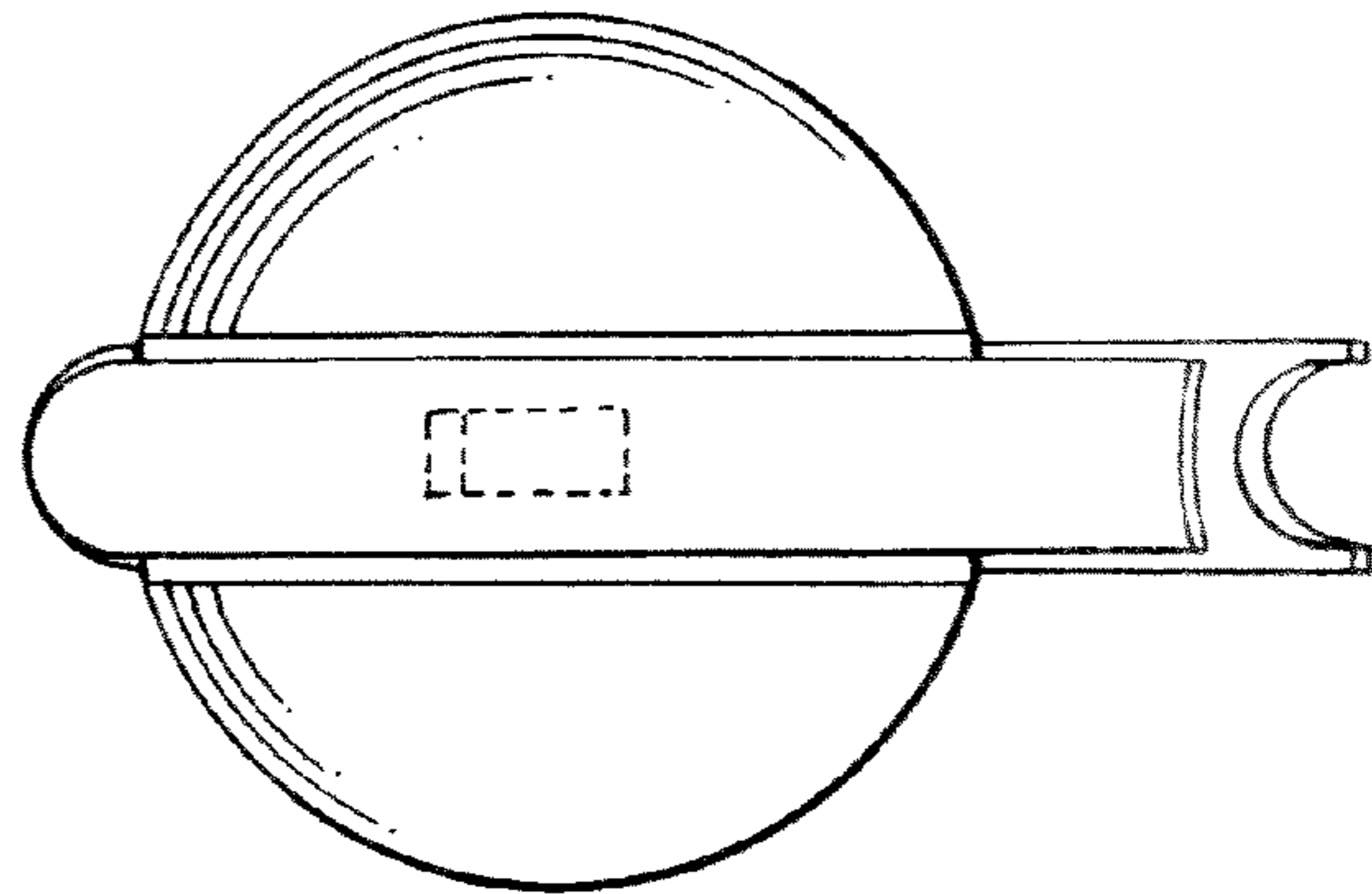


FIG. 2

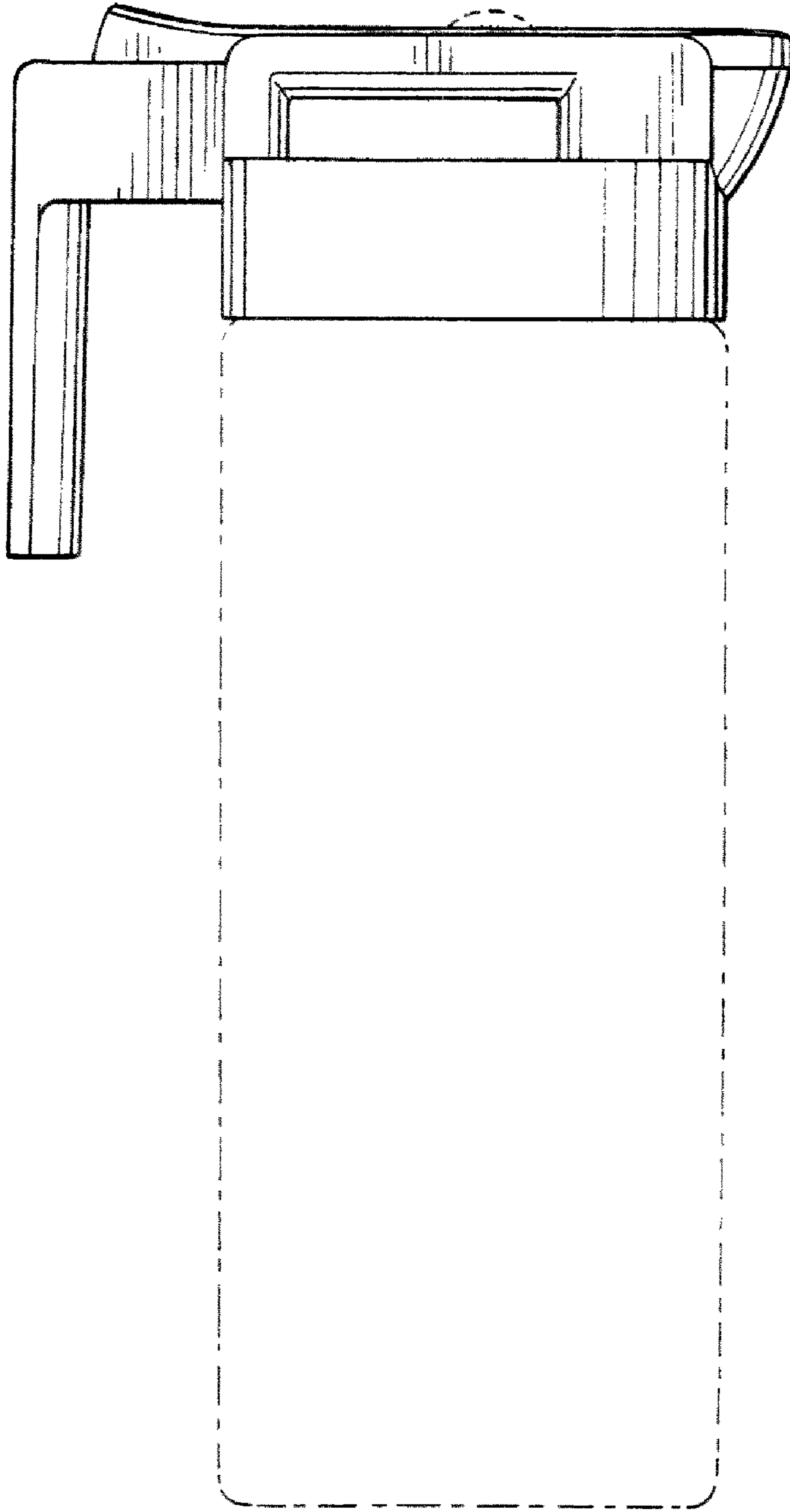


FIG. 3

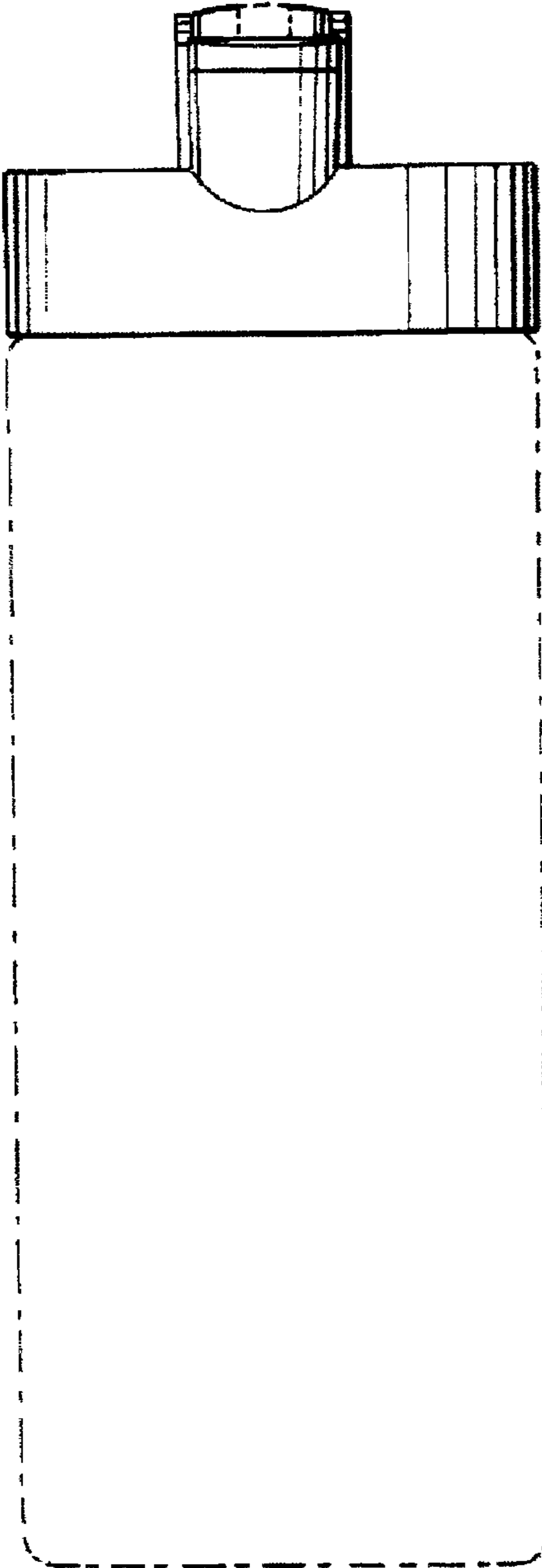


FIG. 4

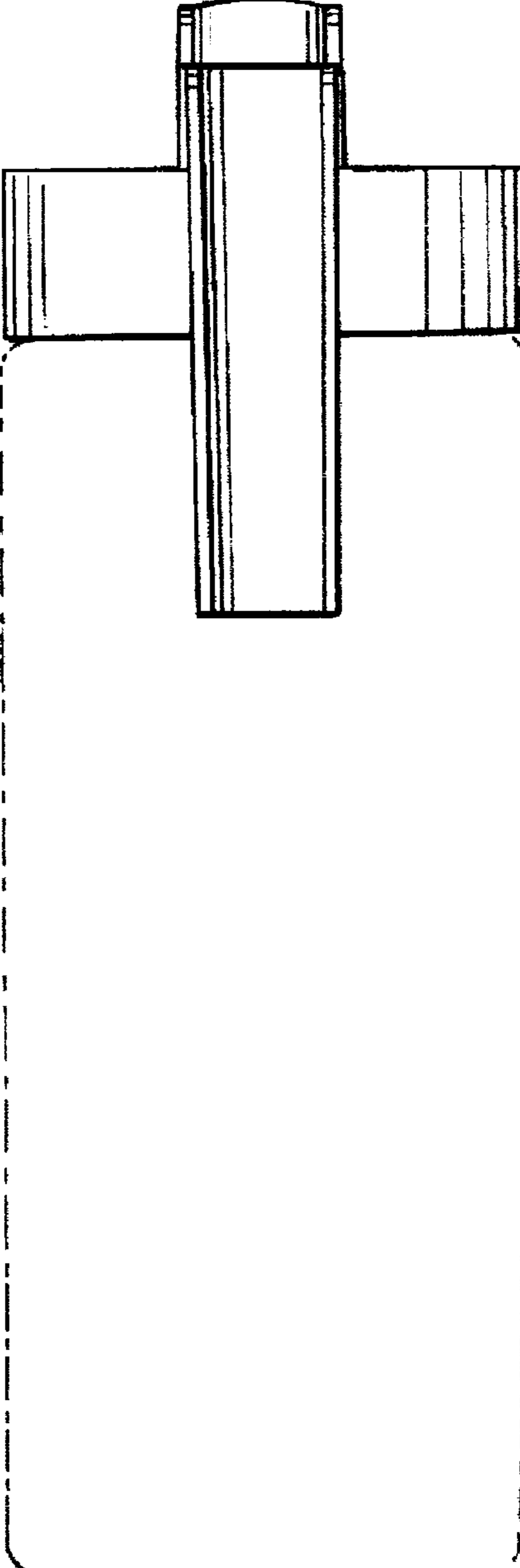


FIG. 5