



US00D620746S

(12) **United States Design Patent**
Hsiao et al.

(10) **Patent No.:** **US D620,746 S**
(45) **Date of Patent:** **** Aug. 3, 2010**

(54) **ELECTRIC FRYING PAN**

(75) Inventors: **Chi Sheng Hsiao**, Taipei County (TW);
Yuzhen Huang, Fujian Province (CN)

(73) Assignee: **Tsann Kuen (Zhangzhou) Enterprise Co., Ltd.**, Zhangzhou (CN)

(**) Term: **14 Years**

(21) Appl. No.: **29/355,451**

(22) Filed: **Feb. 8, 2010**

(51) **LOC (9) Cl.** **07-02**

(52) **U.S. Cl.** **D7/362; D7/354**

(58) **Field of Classification Search** D7/323,
D7/330-331, 337, 339, 347, 350-367, 378-384,
D7/391-395, 402, 542-545, 560; 99/324-325,
99/329 R, 330-339, 372, 375, 400, 412-413,
99/425; 219/432-433, 438-441, 620-622,
219/725-730; 220/203.1, 203.07, 203.09,
220/298, 303, 316, 356.1, 573.1-574, 769,
220/912; 426/438, 441

See application file for complete search history.

(56) **References Cited**

U.S. PATENT DOCUMENTS

- D321,625 S * 11/1991 Dobson et al. D7/360
- 5,656,188 A * 8/1997 Janowiak et al. 219/438
- D412,263 S * 7/1999 Jozancy D7/354
- D414,982 S * 10/1999 Hopkins et al. D7/362

- D430,454 S * 9/2000 Garber et al. D7/354
- D451,335 S * 12/2001 Rossman D7/360
- D514,882 S * 2/2006 Marshall et al. D7/402
- D542,592 S * 5/2007 Lubowicki D7/362
- D557,975 S * 12/2007 Yu D7/365
- D591,553 S * 5/2009 Garman et al. D7/363

* cited by examiner

Primary Examiner—Stella M Reid

Assistant Examiner—Ricky Pham

(74) *Attorney, Agent, or Firm*—Rabin & Berdo, P.C.

(57) **CLAIM**

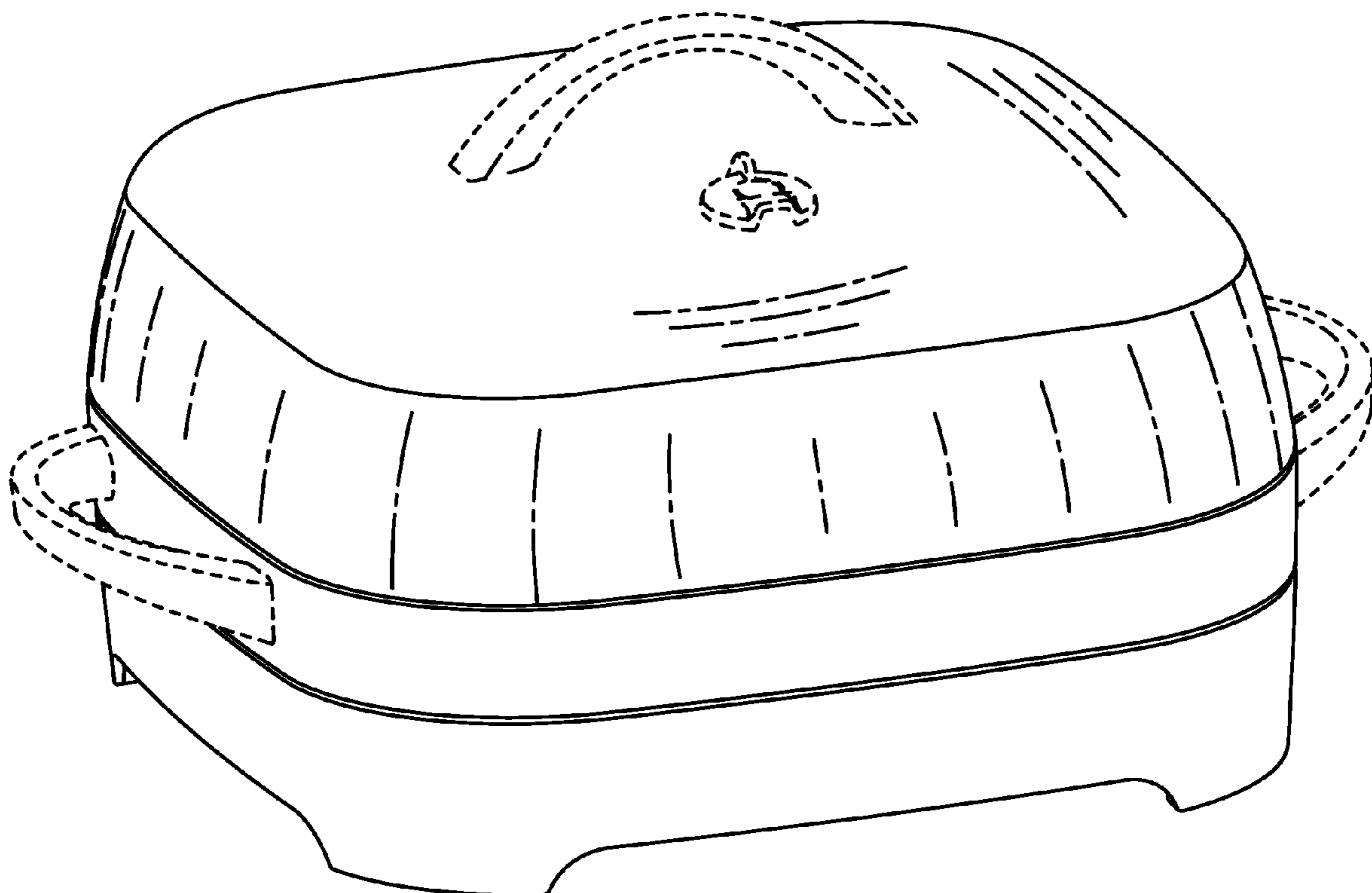
The ornamental design for an electric frying pan, as shown and described.

DESCRIPTION

FIG. 1 is a front view thereof;
 FIG. 2 is a back view thereof;
 FIG. 3 is a left side view thereof;
 FIG. 4 is a right side view thereof;
 FIG. 5 is a top plan view thereof;
 FIG. 6 is a bottom plan view thereof; and,
 FIG. 7 is a top front right perspective view of an electric frying pan showing our new design.

The broken lines in the drawings are for illustrative purposes only and form no part of the claimed design.

1 Claim, 7 Drawing Sheets



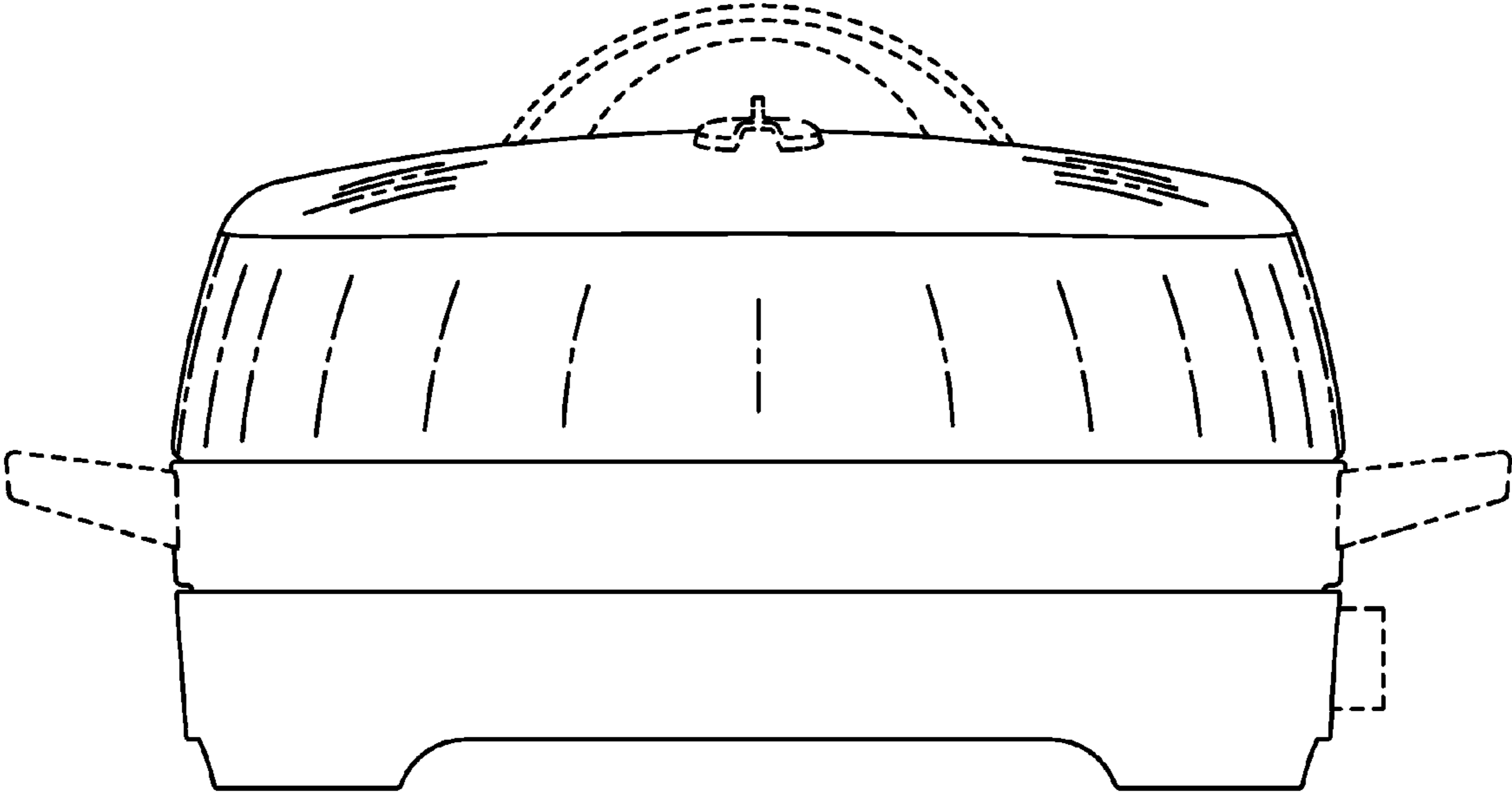


FIG.1

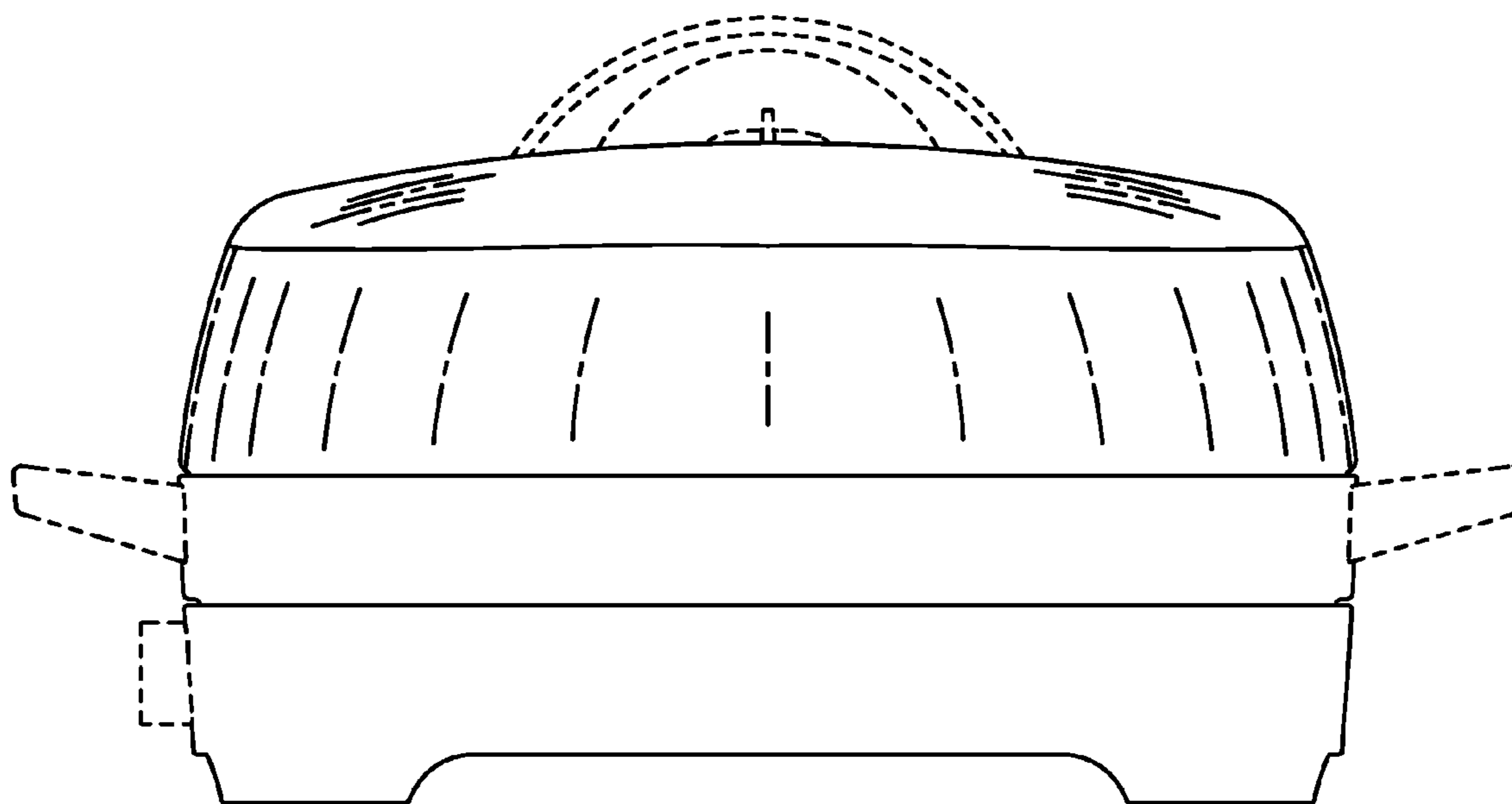


FIG. 2

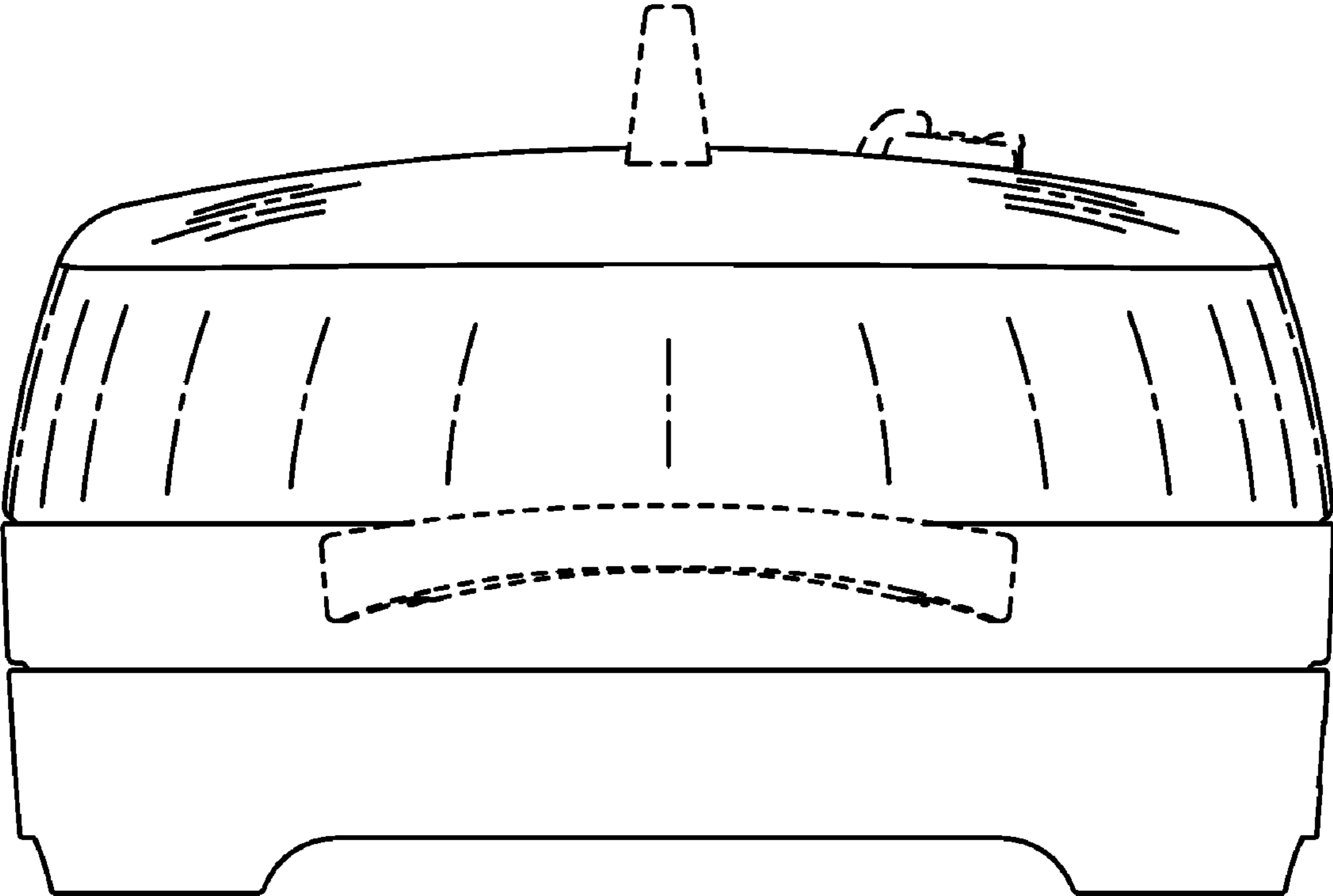


FIG. 3

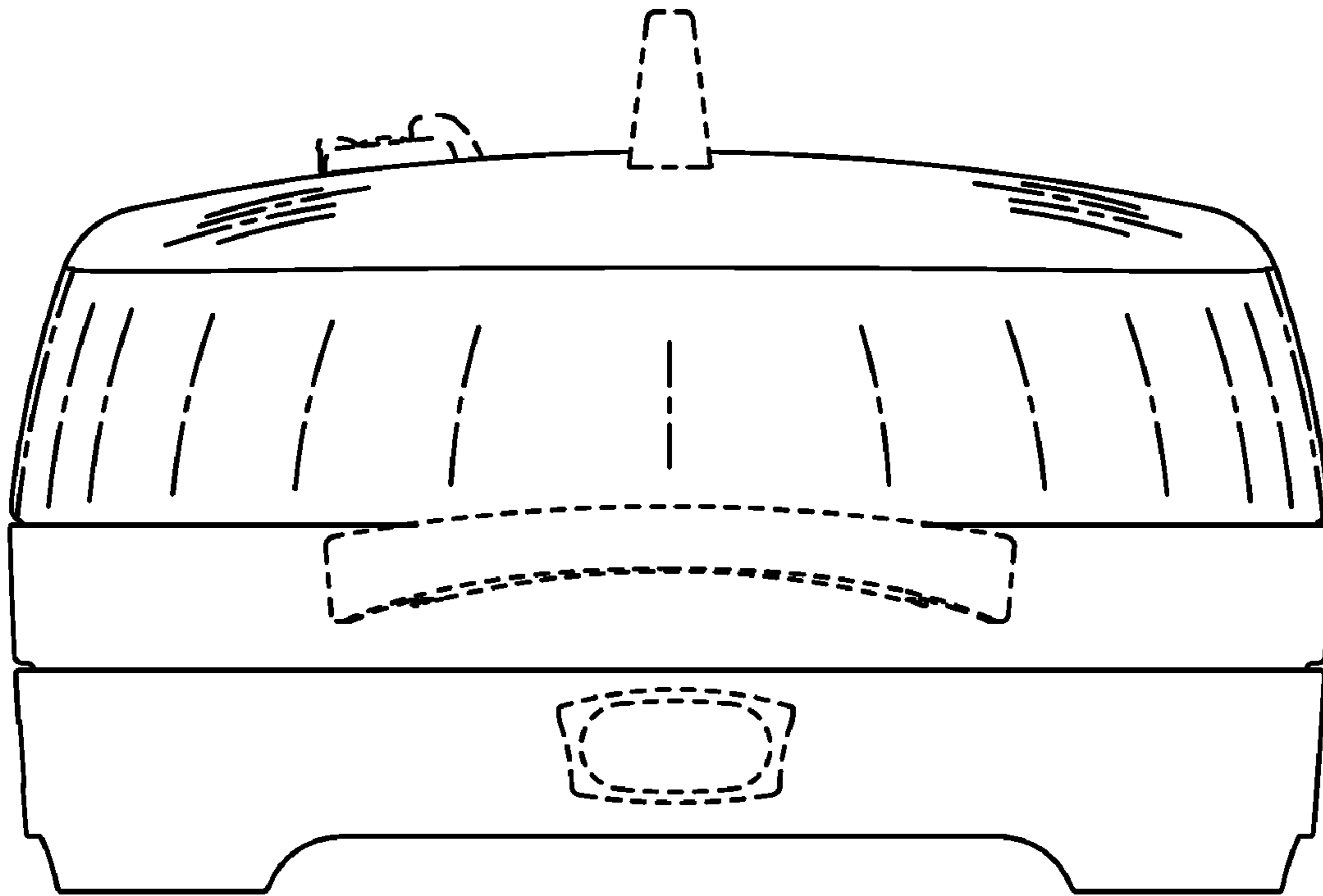


FIG. 4

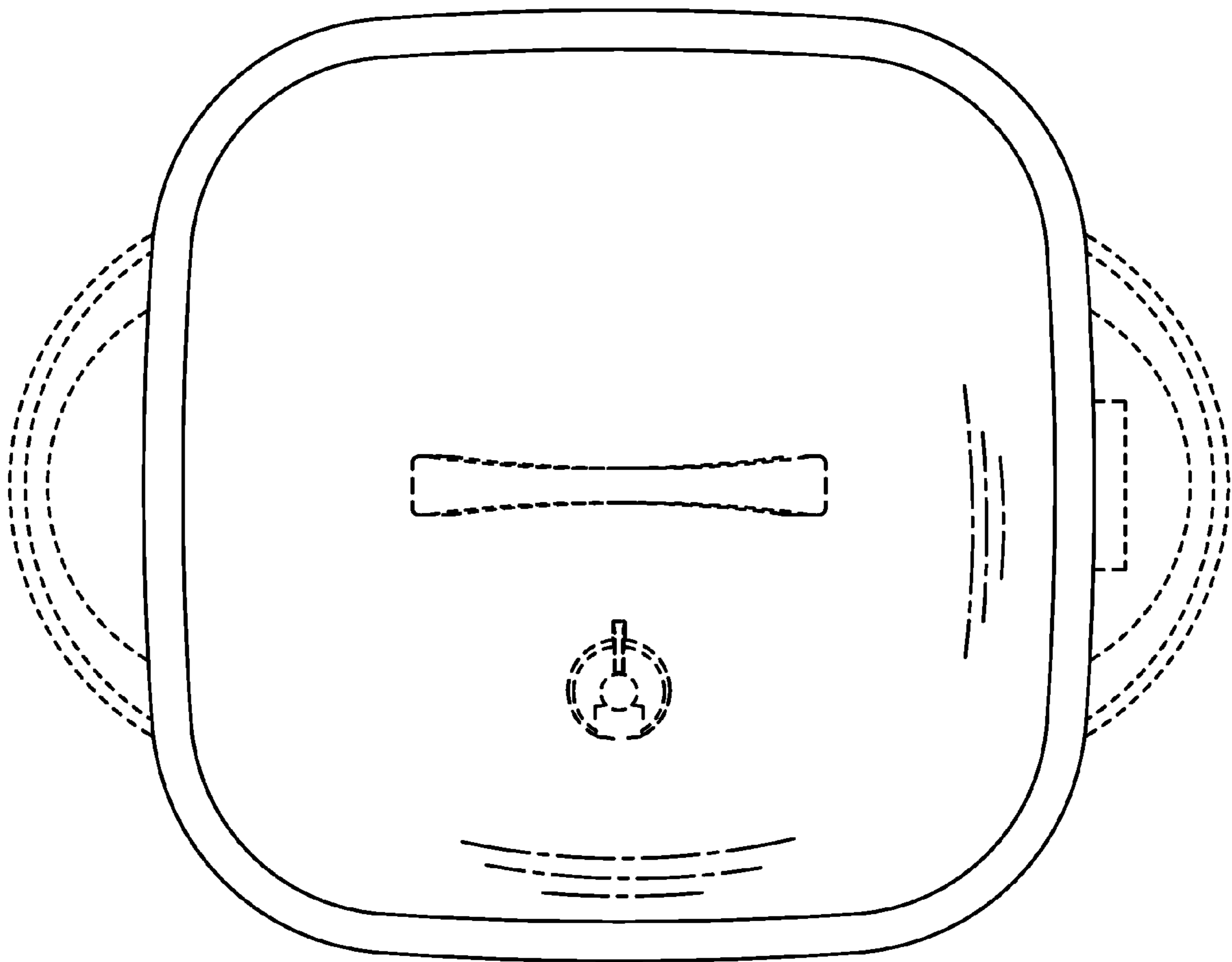


FIG. 5

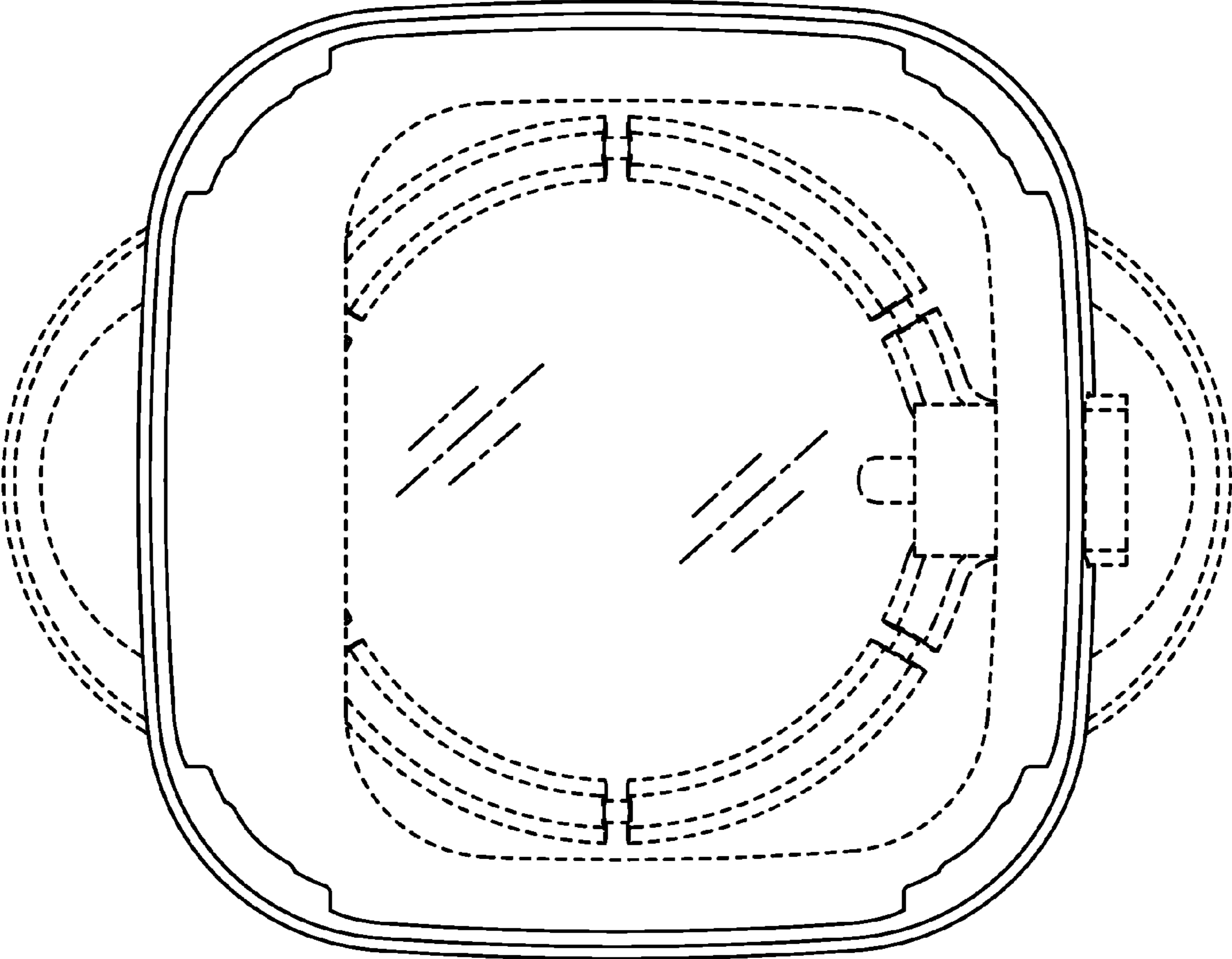


FIG.6

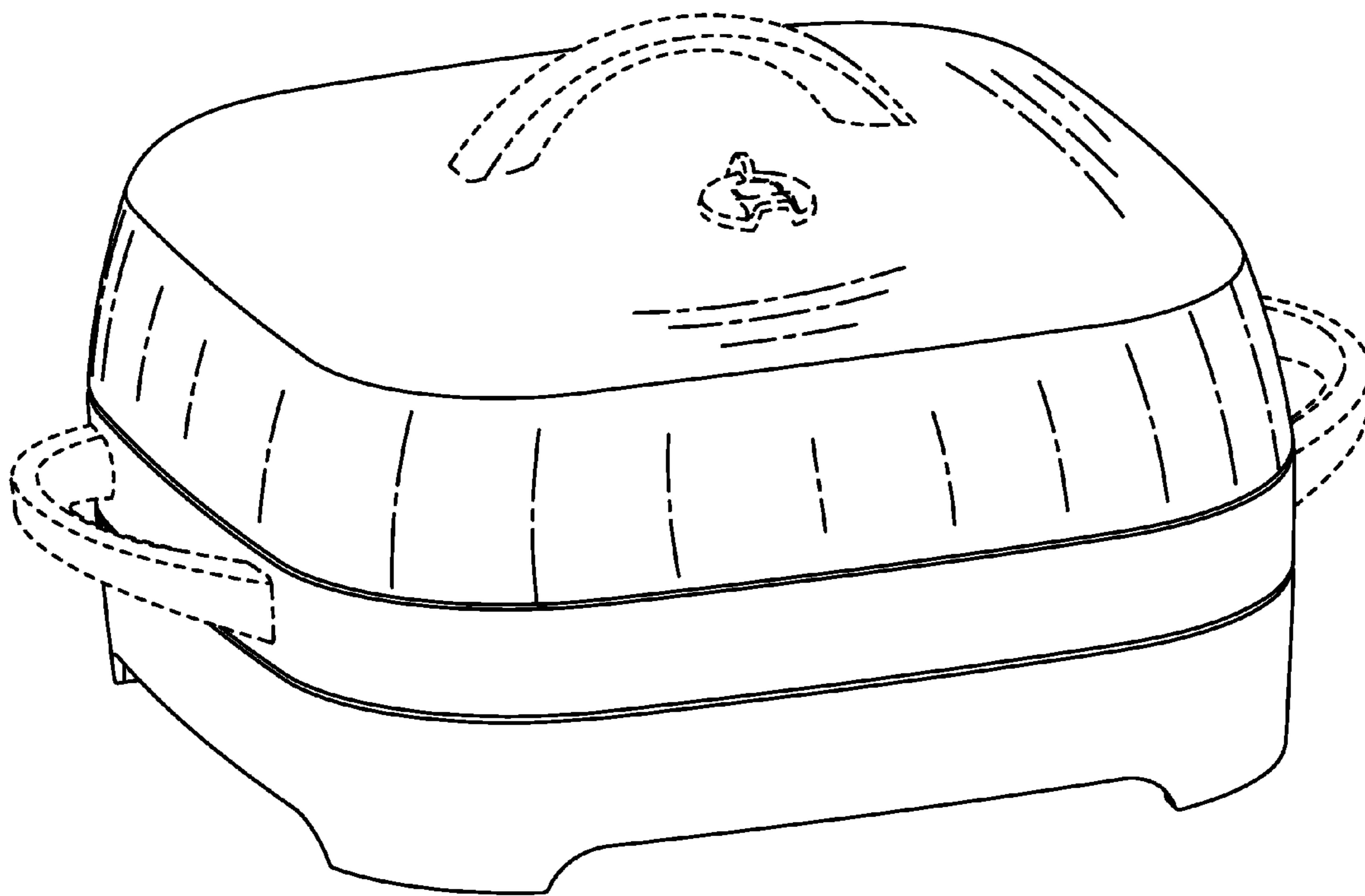


FIG. 7