



US00D620745S

(12) **United States Design Patent**
Lavy

(10) **Patent No.:** **US D620,745 S**

(45) **Date of Patent:** **** Aug. 3, 2010**

(54) **COUNTERTOP GRILL**

(76) **Inventor:** **Danny Lavy**, 775 Lexington Avenue,
Westmont, Quebec (CA) H3Y 1K9

(**) **Term:** **14 Years**

(21) **Appl. No.:** **29/355,345**

(22) **Filed:** **Feb. 5, 2010**

(51) **LOC (9) Cl.** **07-02**

(52) **U.S. Cl.** **D7/357; D7/352**

(58) **Field of Classification Search** D7/323,
D7/328-332, 334-341, 347-349, 350.3, 351-363,
D7/609; D23/343; 99/219, 331, 339-340,
99/349, 369, 372-375, 385-386, 389, 392,
99/425, 444, 446, 466, 601, 618, 620; 219/524-525,
219/620-622, 732-734

See application file for complete search history.

(56) **References Cited**

U.S. PATENT DOCUMENTS

D439,796 S *	4/2001	Edwards et al.	D7/352
D455,598 S *	4/2002	Pai	D7/337
D498,113 S *	11/2004	Zhang	D7/332
D503,868 S *	4/2005	Pai	D7/337
D506,636 S *	6/2005	Schulte et al.	D7/337
D532,642 S *	11/2006	Wilgus	D7/337
D533,008 S *	12/2006	Macri et al.	D7/332
D547,848 S *	7/2007	Grady et al.	D23/343
D589,294 S *	3/2009	Averty	D7/356

* cited by examiner

Primary Examiner—Caron Veynar

Assistant Examiner—Ricky Pham

(74) *Attorney, Agent, or Firm*—Husch Blackwell Sanders
Welsh & Katz

(57) **CLAIM**

The ornamental design for a countertop grill, as shown and described.

DESCRIPTION

FIG. 1 is a front perspective view of a closed countertop grill showing my new design;

FIG. 2 is a front perspective view of the first embodiment of the countertop grill shown in FIG. 1 in an open configuration;

FIG. 3 is a front perspective view of the second embodiment of the countertop grill shown in FIG. 1 in an open configuration;

FIG. 4 is a front elevational view of the countertop grill shown in FIG. 1;

FIG. 5 is a rear elevational view of the countertop grill shown in FIG. 1;

FIG. 6 is a left side elevational view of the countertop grill shown in FIG. 1, the right side being a mirror image of the left side; and,

FIG. 7 is a top plan view of the countertop grill shown in FIG. 1, a bottom plan view not being shown as it is devoid of ornamentation.

The broken lines shown in the Figures are used for illustrative purposes only and form no part of the claimed design.

1 Claim, 5 Drawing Sheets

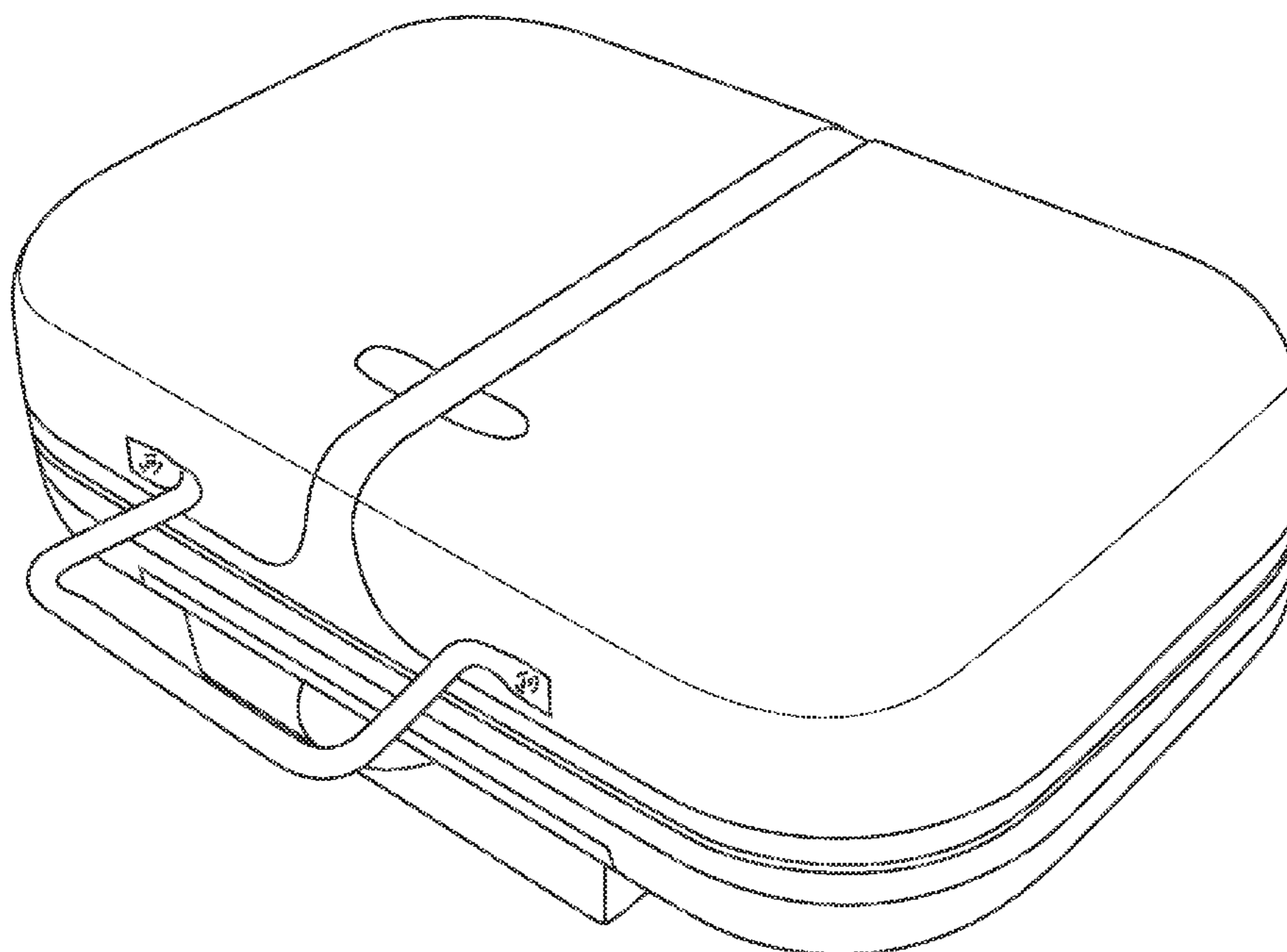


Fig. 1

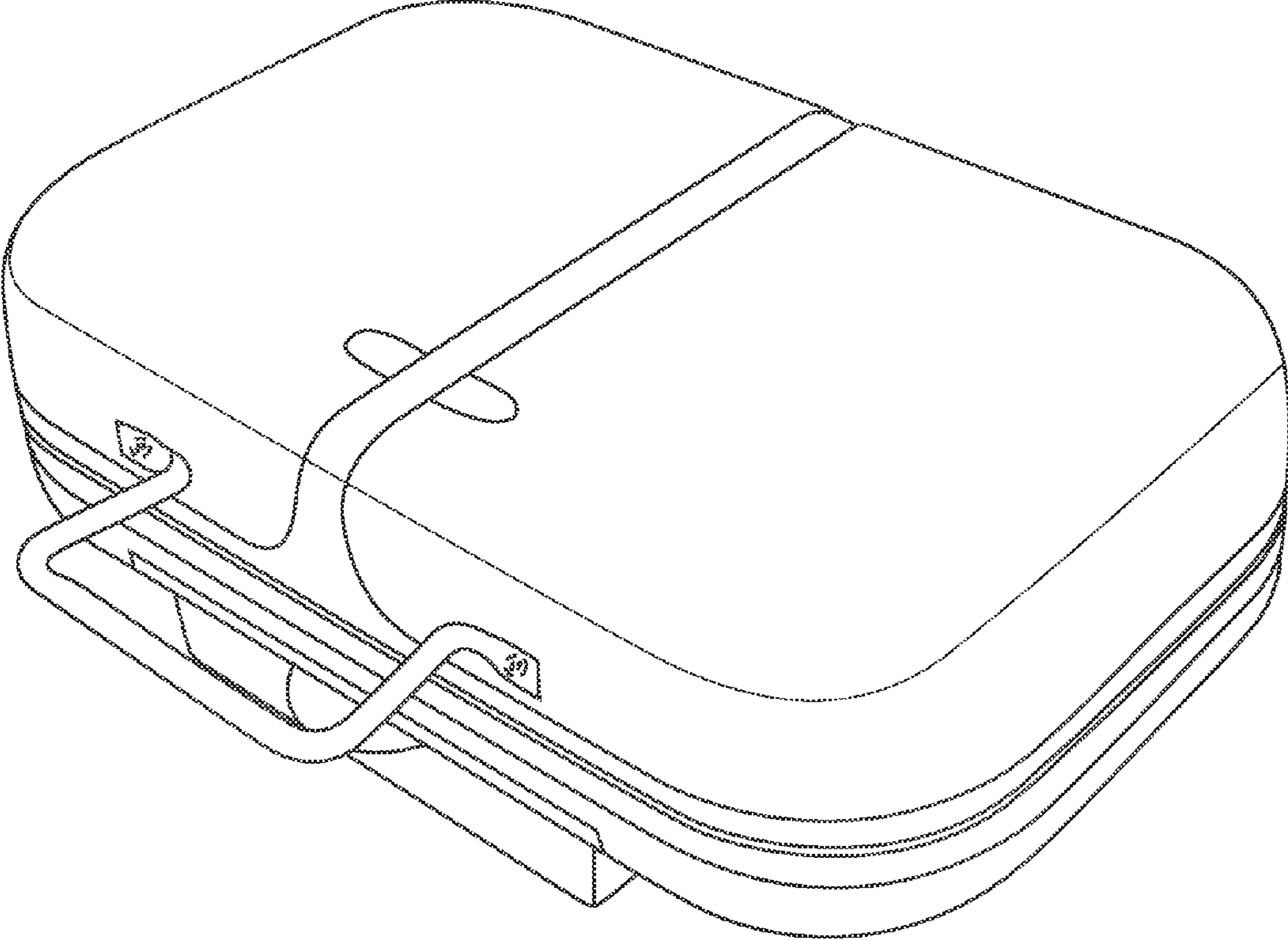


Fig. 2

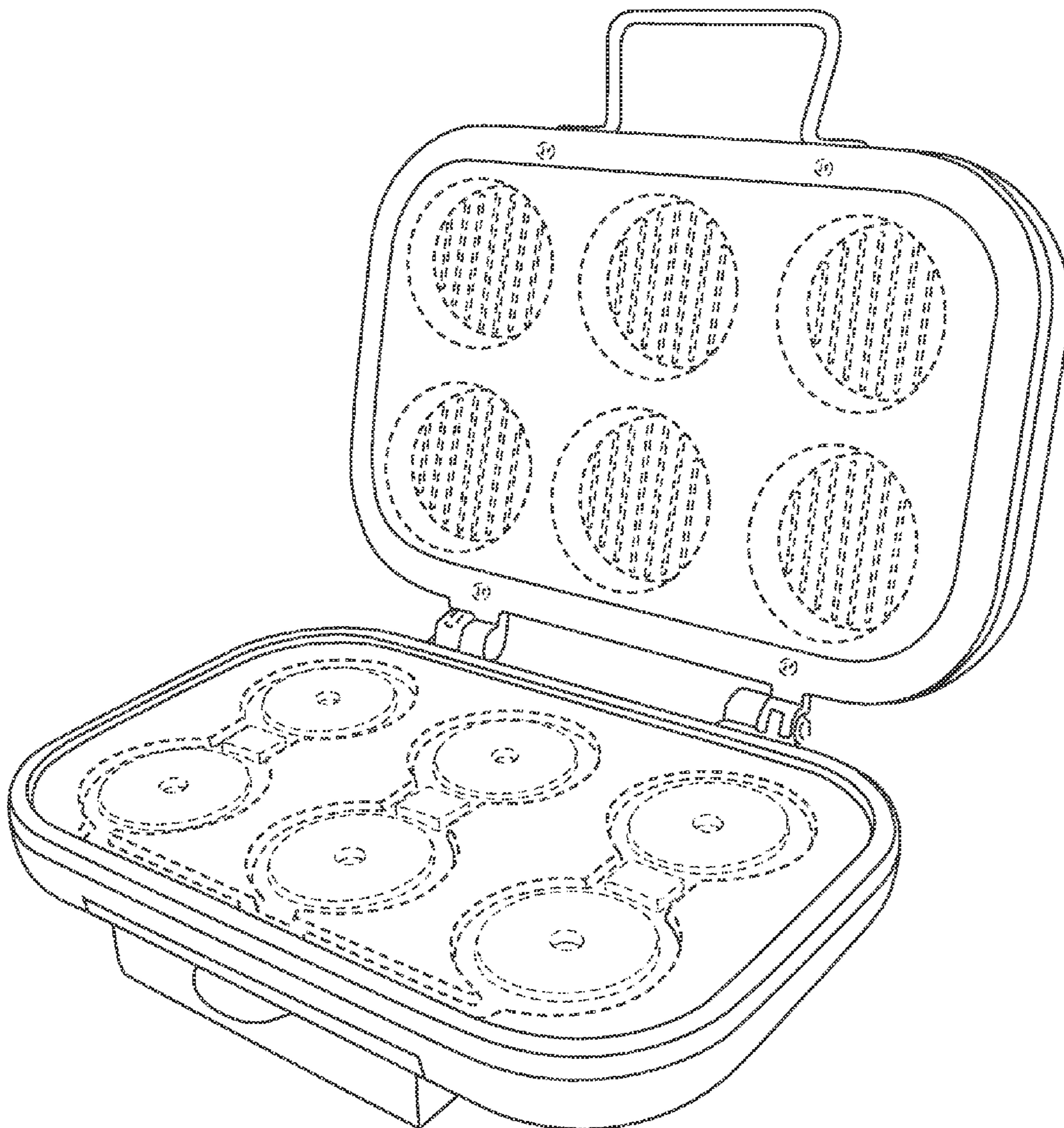


Fig. 3

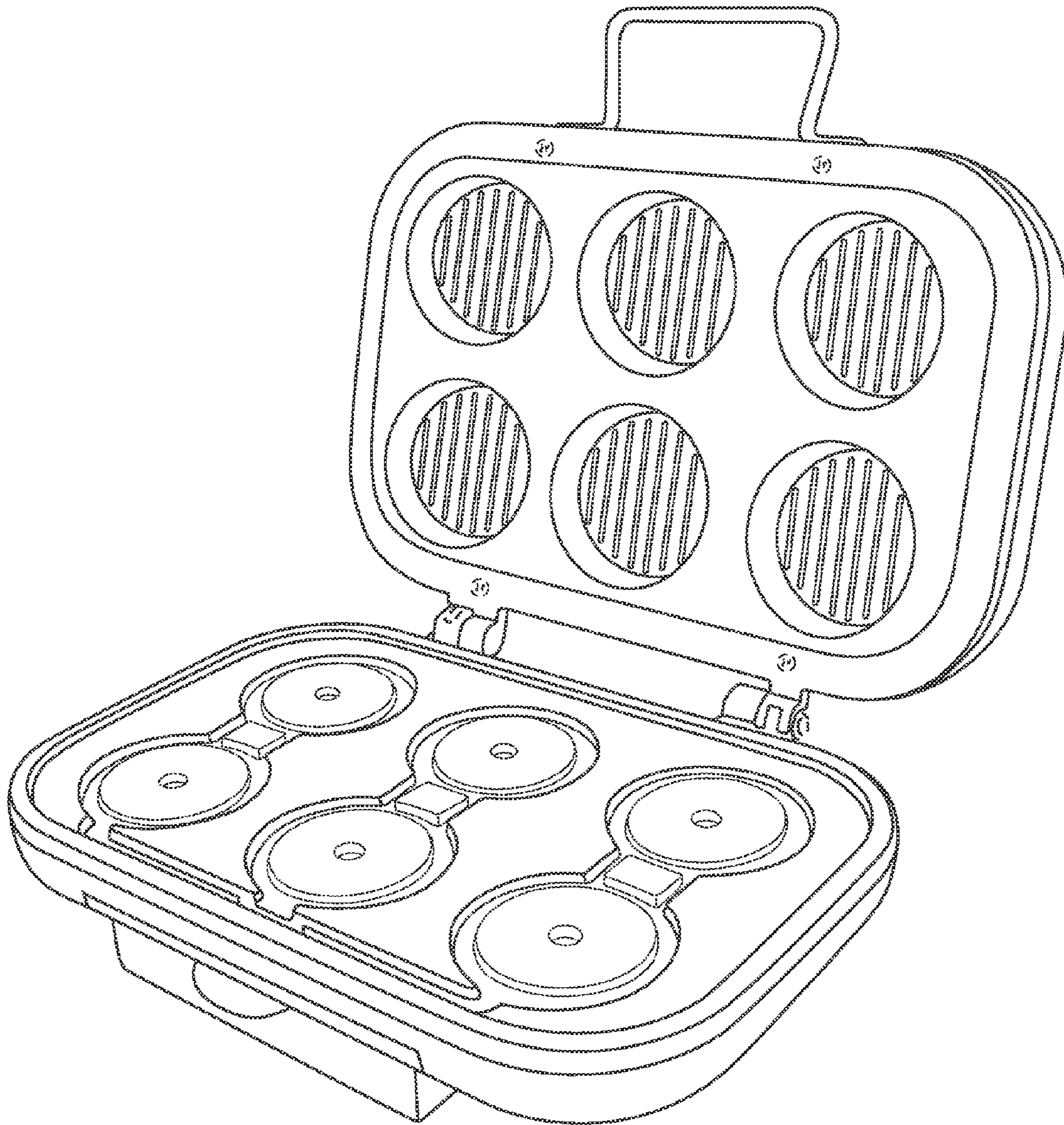


Fig. 4

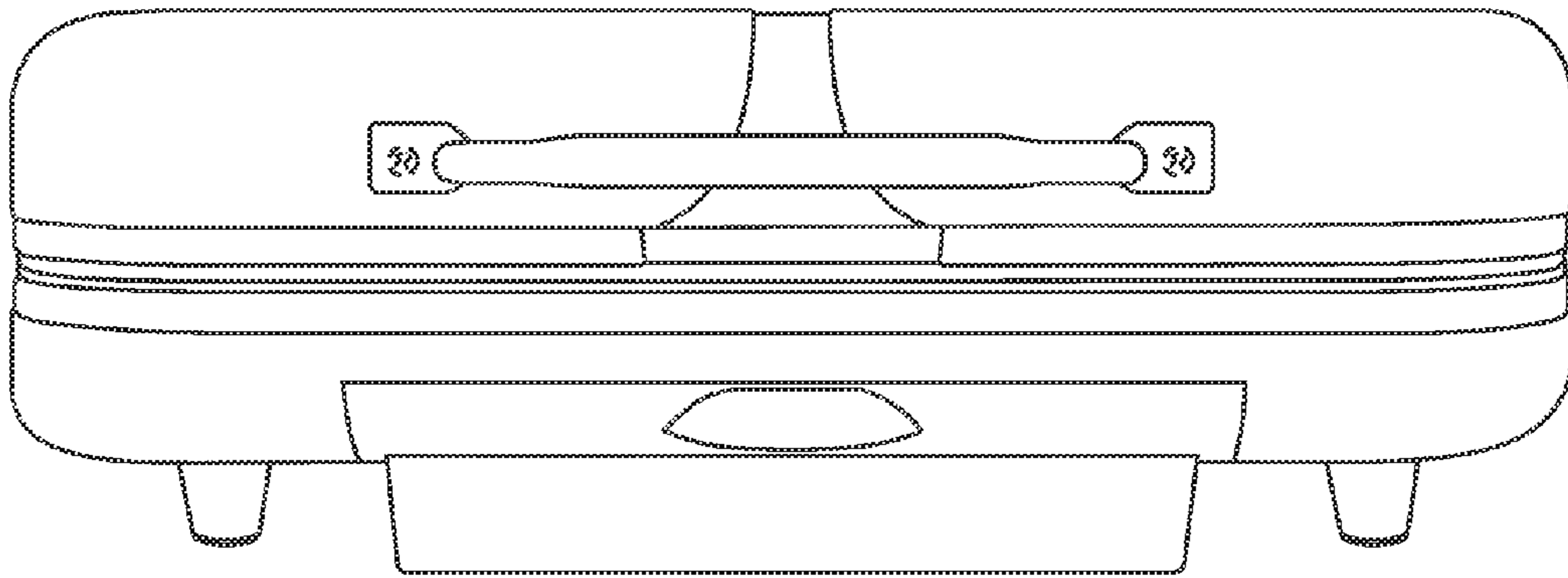


Fig. 5

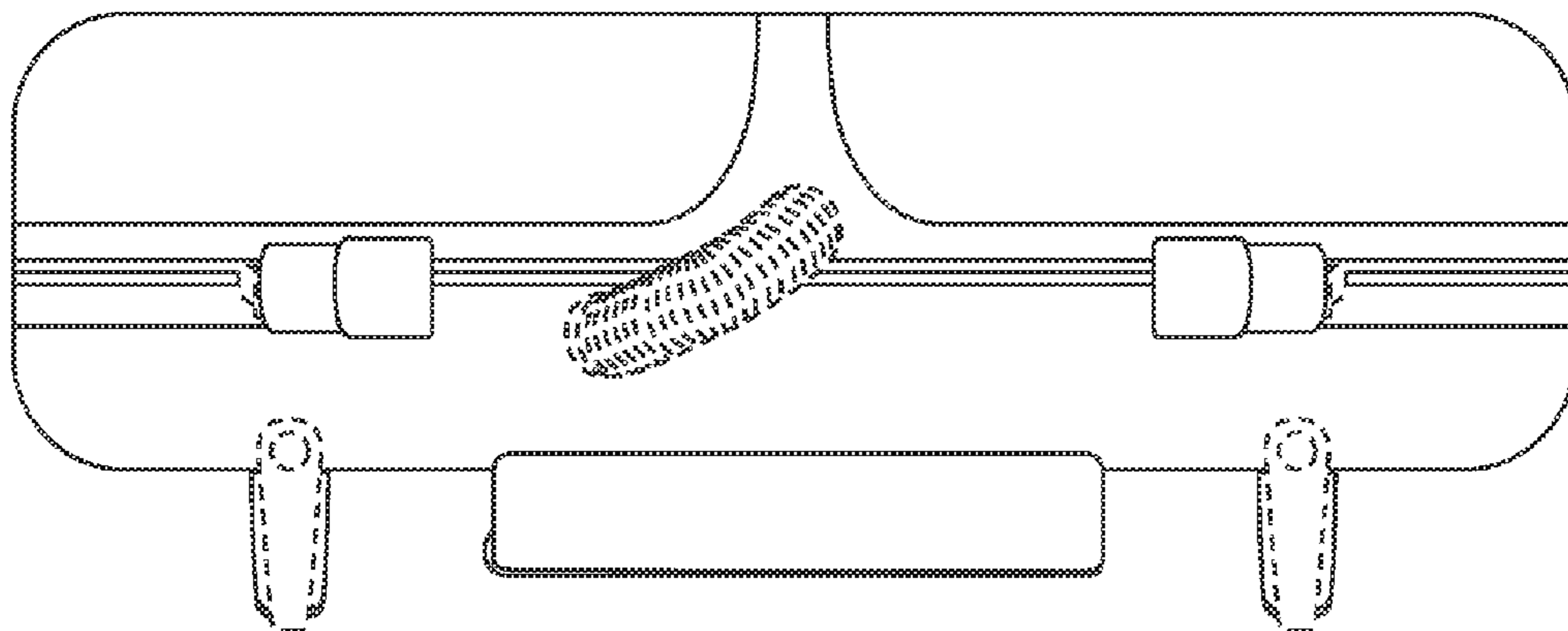


Fig. 6

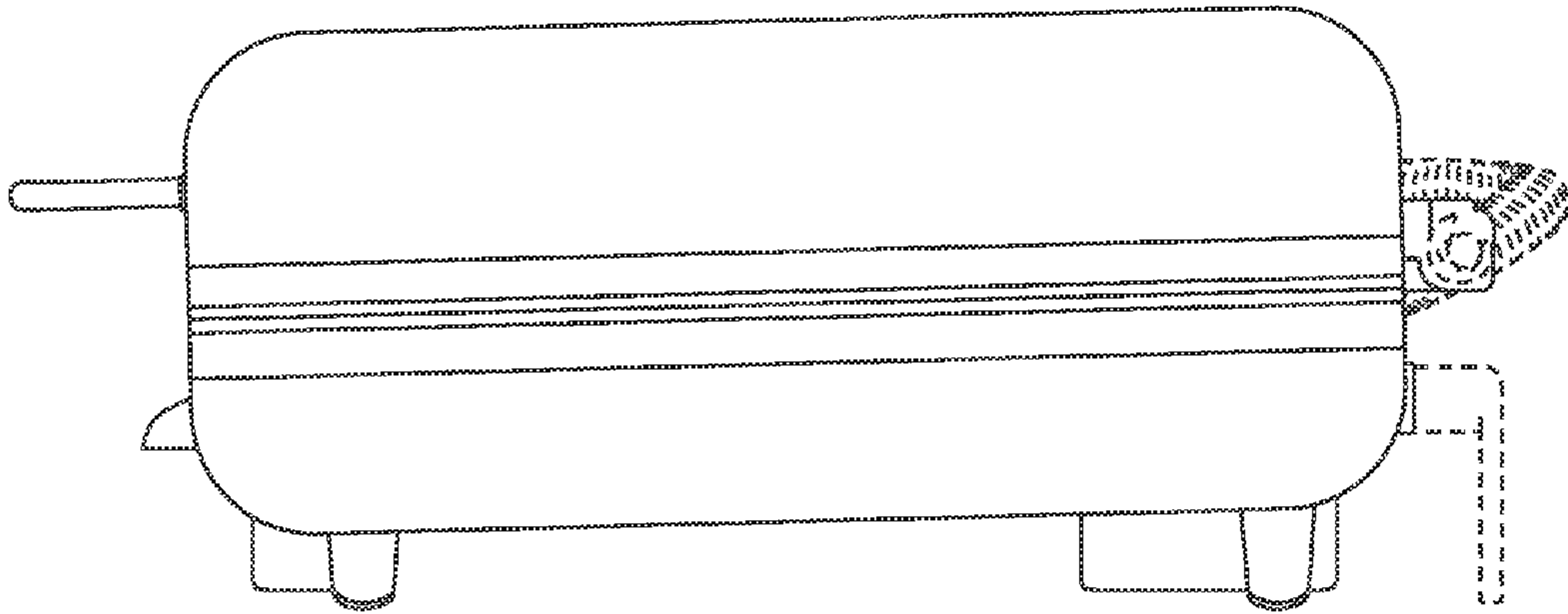


Fig. 7

