



US00D620743S

(12) **United States Design Patent**
Hsiao

(10) **Patent No.:** **US D620,743 S**

(45) **Date of Patent:** **** Aug. 3, 2010**

(54) **ELECTRIC RICE COOKER**

D542,095 S * 5/2007 Orent et al. D7/560
D575,578 S * 8/2008 Ball D7/360
D608,136 S * 1/2010 Choi D7/354

(75) Inventor: **Chi Sheng Hsiao**, Taipei County (TW)

(73) Assignee: **Tsann Kuen (Zhangzhou) Enterprise Co., Ltd.**, Zhangzhou (CN)

* cited by examiner

(**) Term: **14 Years**

Primary Examiner—Caron Veynar

Assistant Examiner—Ricky Pham

(74) *Attorney, Agent, or Firm*—Rabin & Berdo, P.C.

(21) Appl. No.: **29/354,535**

(57) **CLAIM**

(22) Filed: **Jan. 26, 2010**

The ornamental design for an electric rice cooker, as shown and described.

(51) **LOC (9) Cl.** **07-02**

(52) **U.S. Cl.** **D7/354**

(58) **Field of Classification Search** D7/323,
D7/330–331, 339, 347, 350–367, 378–379,
D7/383–384, 391–395, 542–545, 560; 99/324–325,
99/329 R, 330–339, 400, 412–413, 425; 219/432–433,
219/438–441, 620–622, 725–730; 220/203.1,
220/203.07, 203.09, 298, 303, 316, 356.1,
220/573.1–574, 769; 426/438, 441
See application file for complete search history.

DESCRIPTION

FIG. 1 is a front view thereof;
FIG. 2 is a back view thereof;
FIG. 3 is a left side view thereof;
FIG. 4 is a right side view thereof;
FIG. 5 is a top plan view thereof;
FIG. 6 is a bottom plan view thereof; and,
FIG. 7 is a top front right perspective view of an electric rice cooker showing my new design.

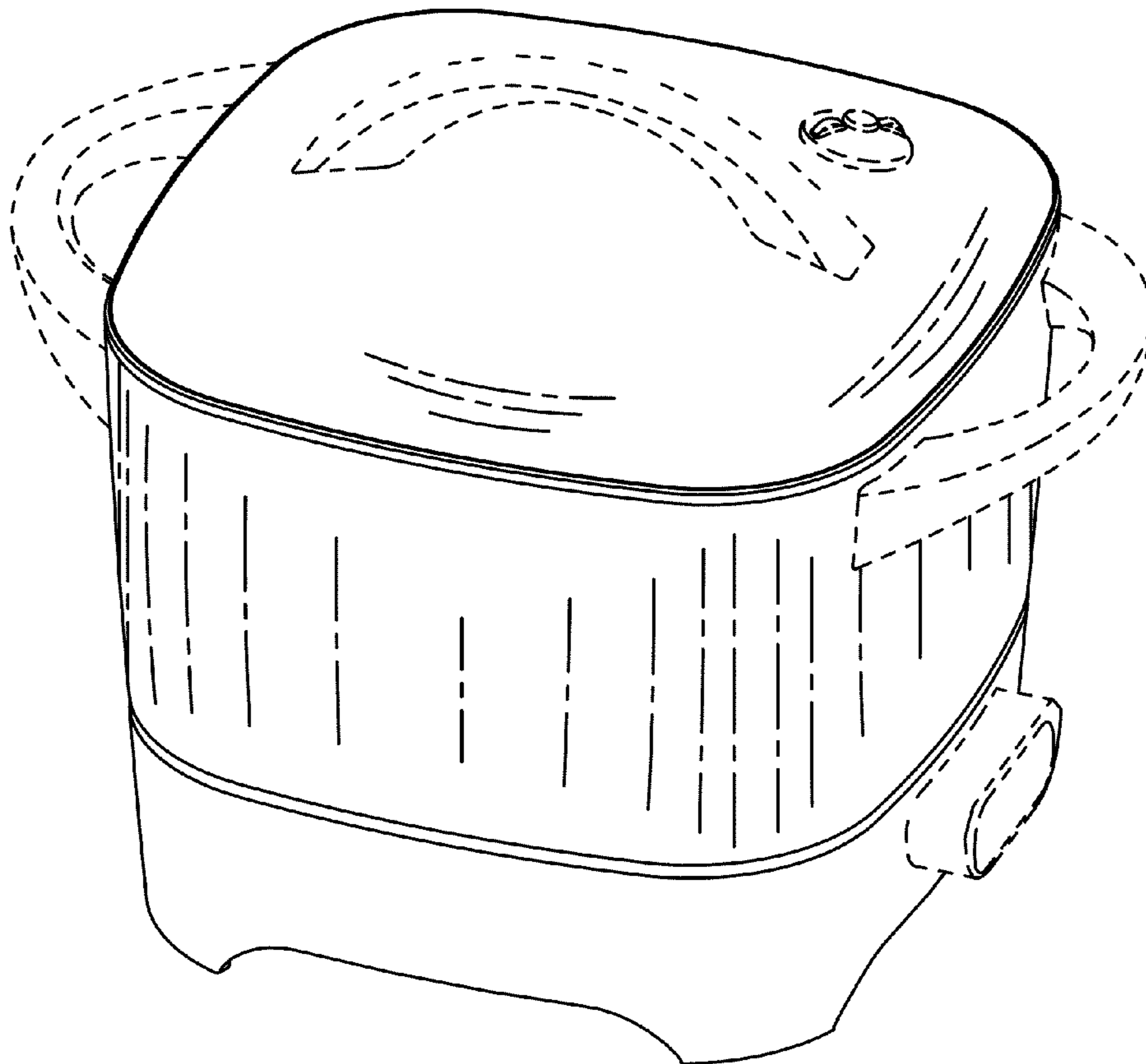
The broken lines in the drawings are for illustrative purposes only and form no part of the claimed design.

(56) **References Cited**

U.S. PATENT DOCUMENTS

D360,804 S * 8/1995 Hamada et al. D7/354
D412,263 S * 7/1999 Jozancy D7/354
D474,937 S * 5/2003 Josancy D7/354
D528,853 S * 9/2006 Lloyd D7/354

1 Claim, 7 Drawing Sheets



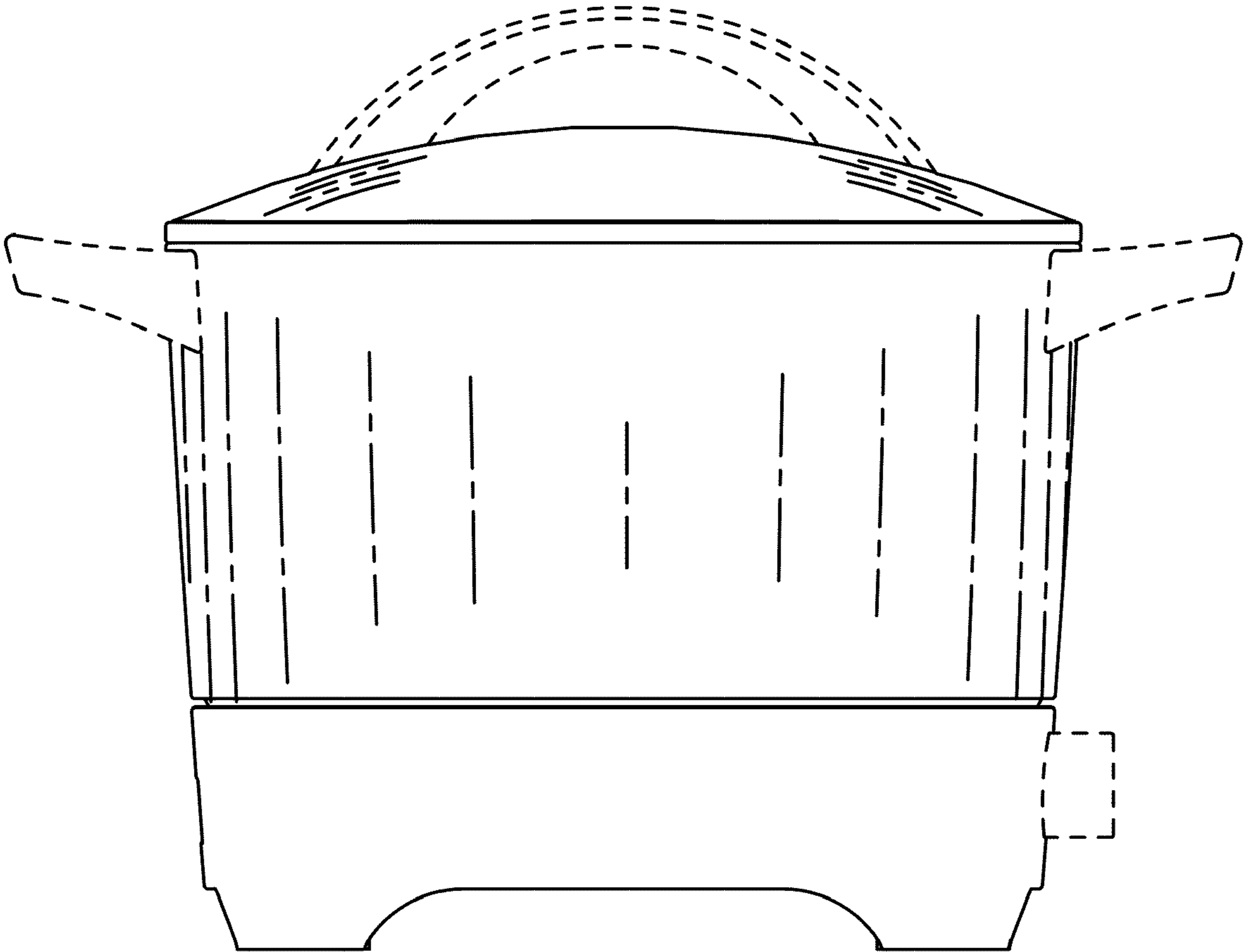


FIG. 1

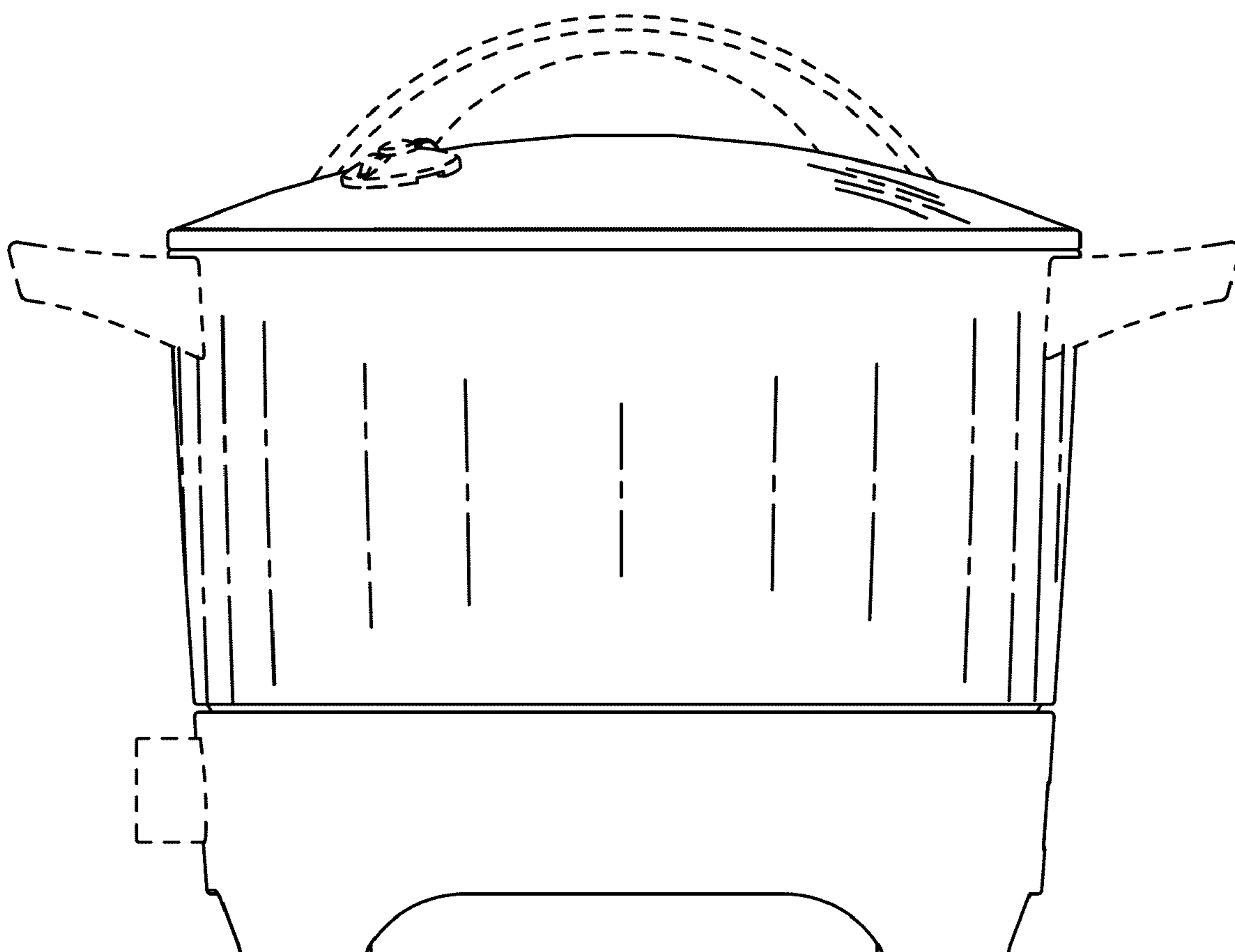


FIG. 2

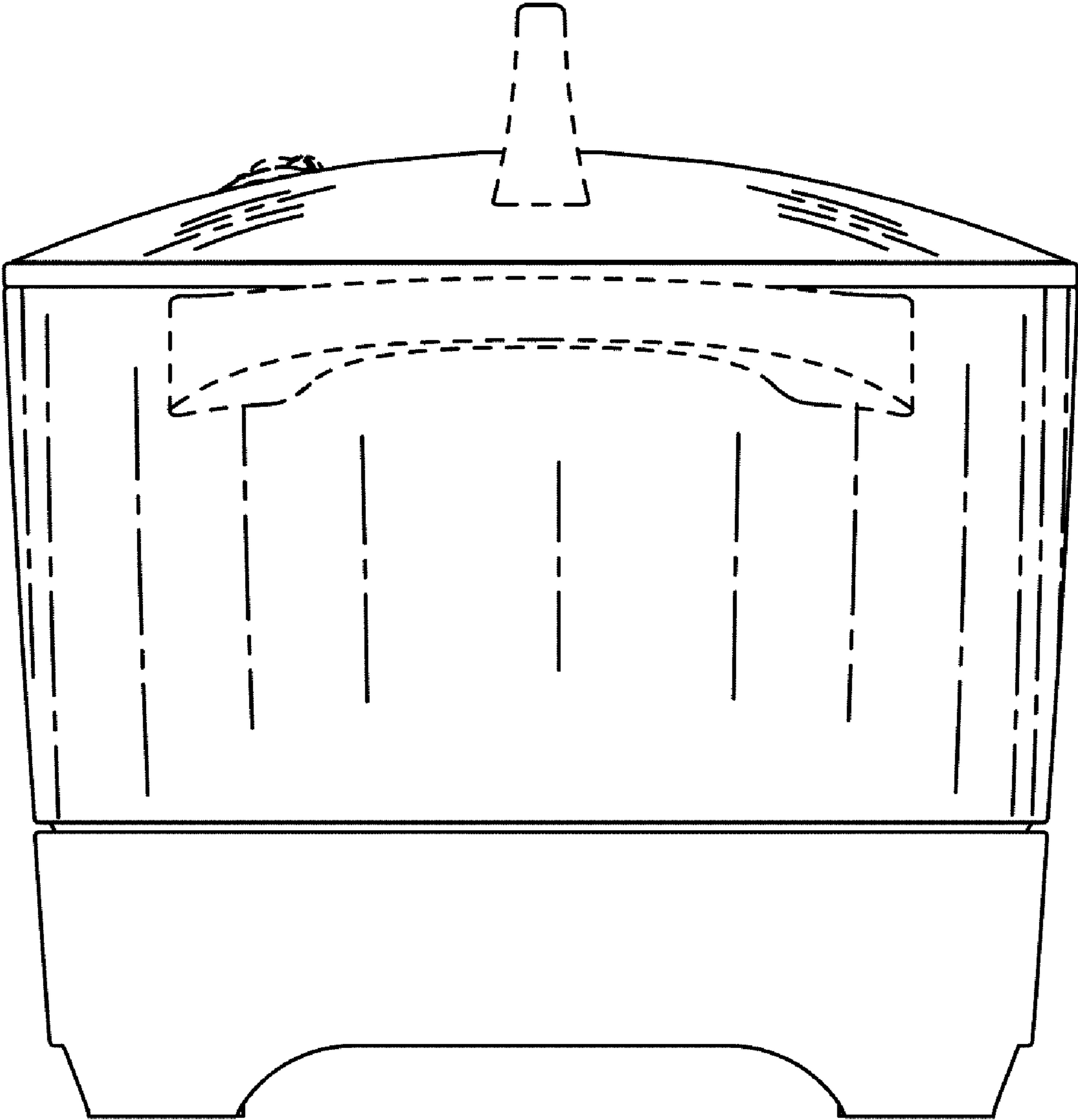


FIG. 3

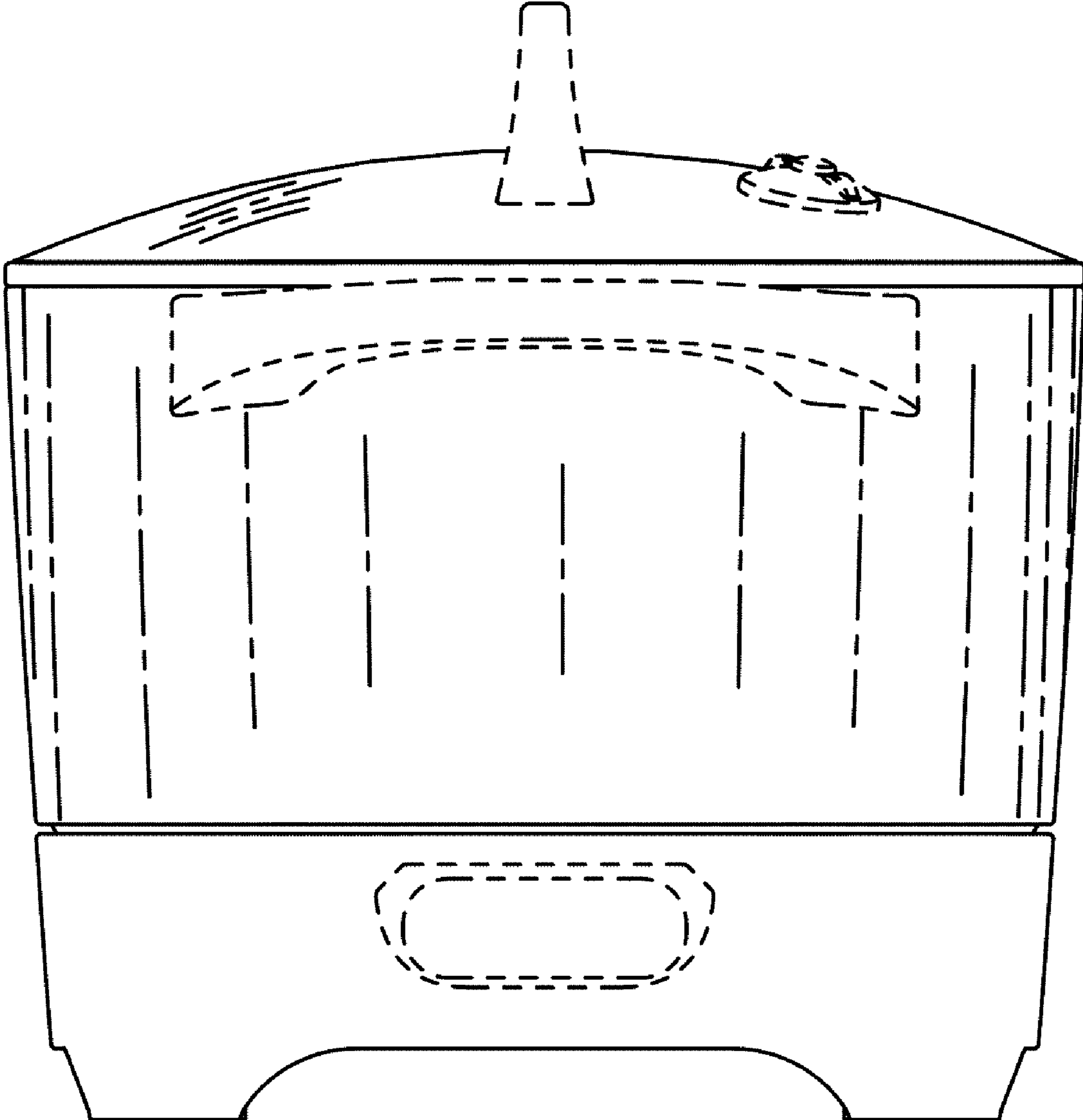


FIG. 4

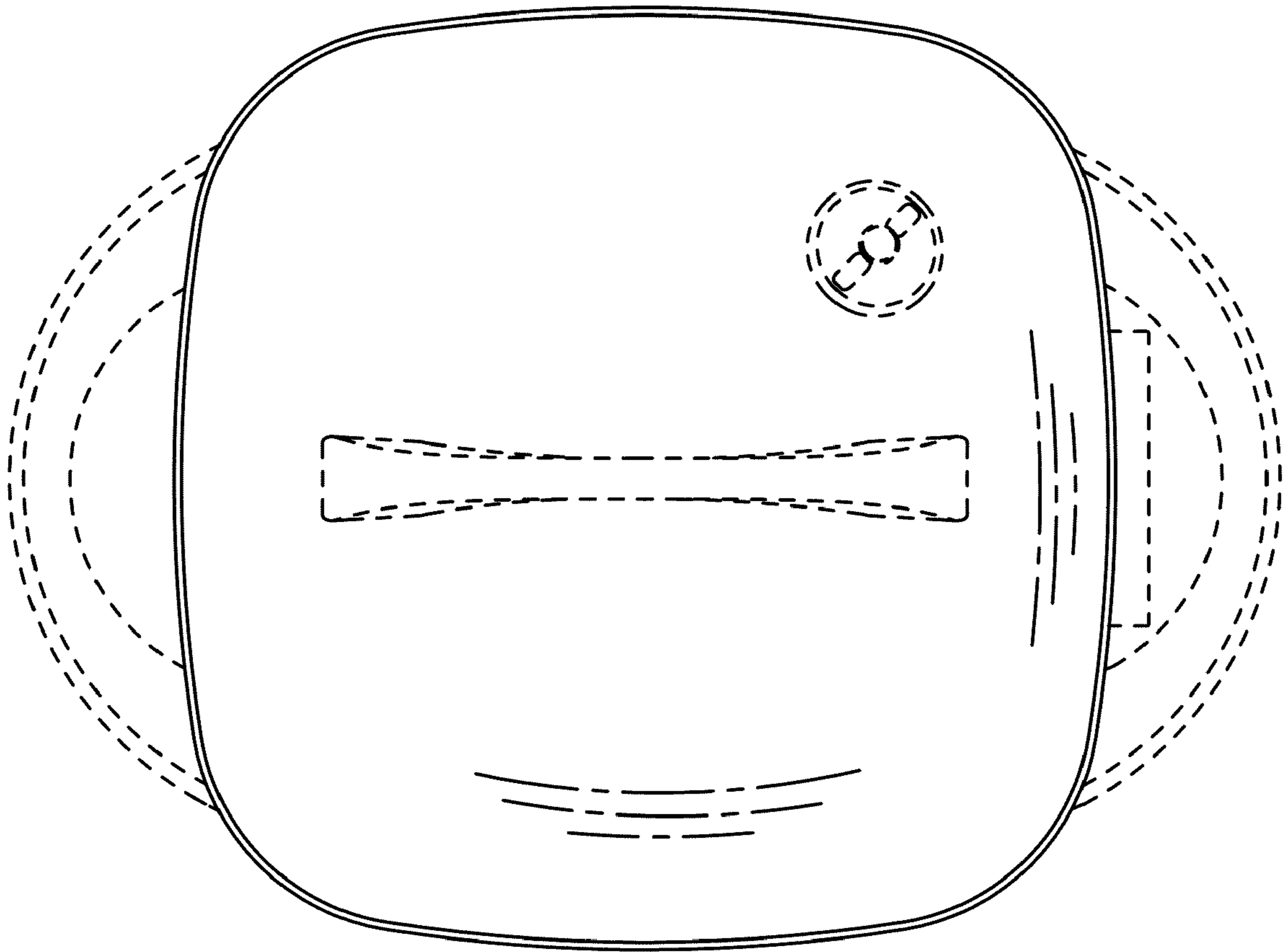


FIG. 5

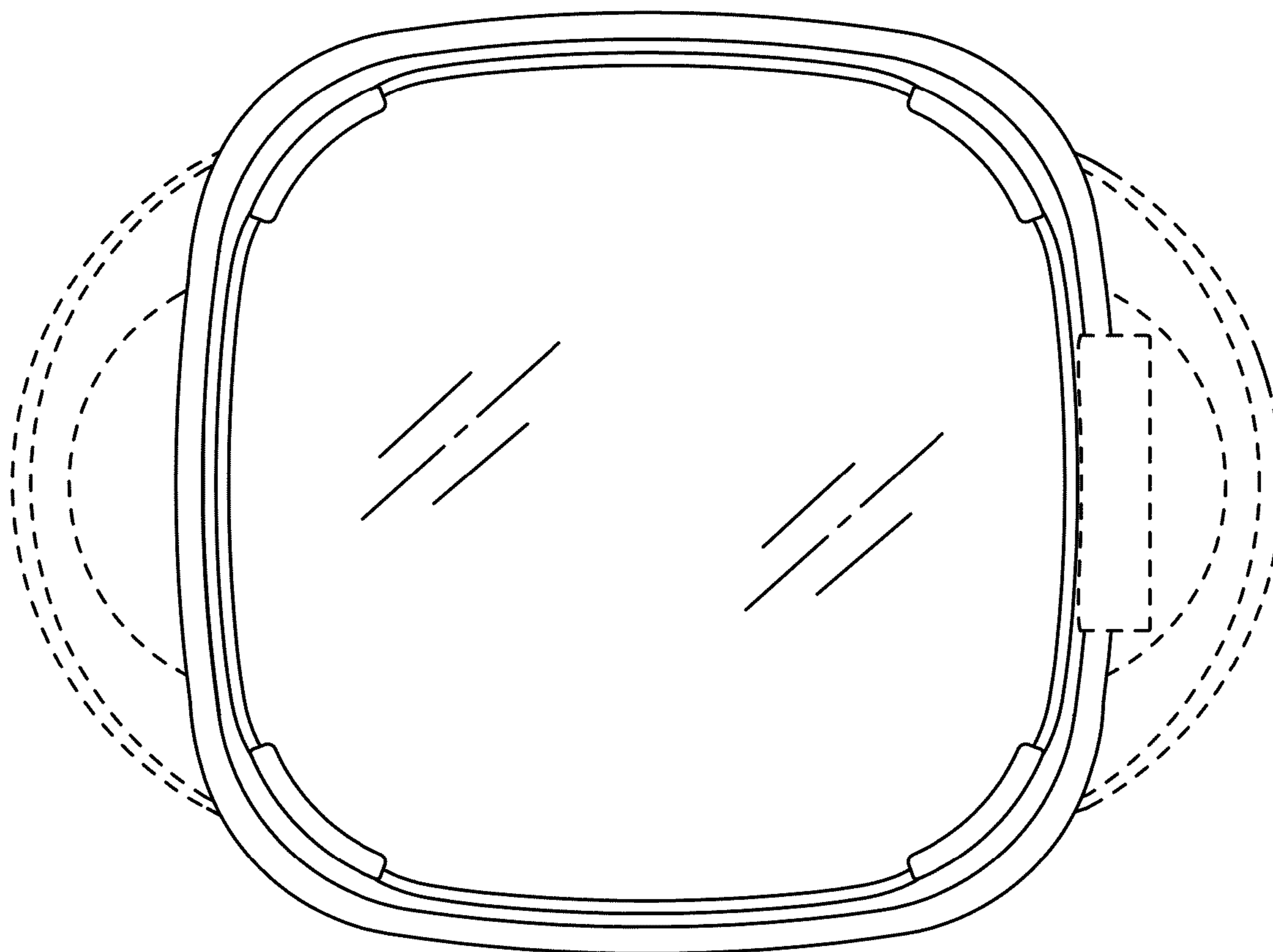


FIG.6

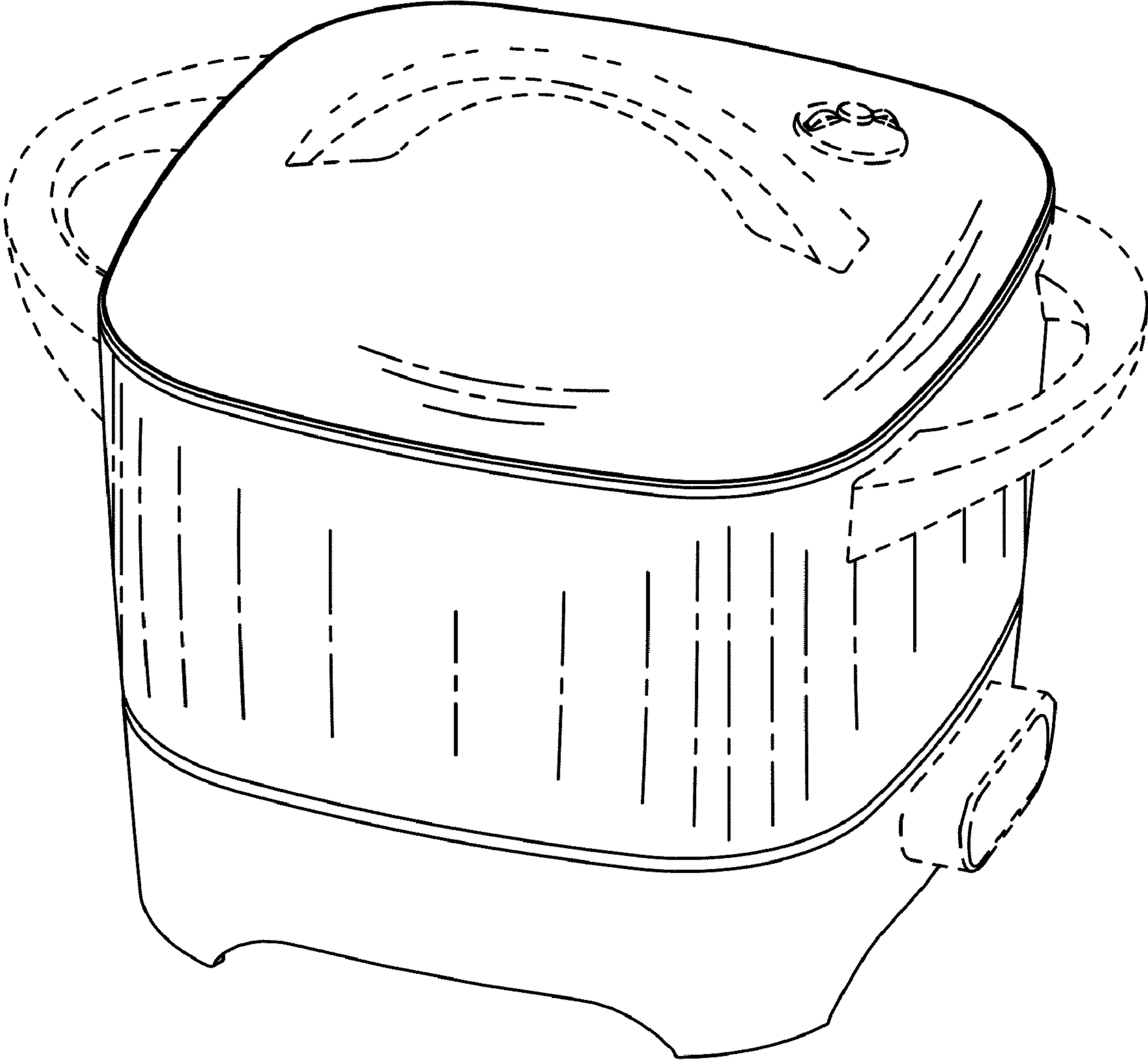


FIG. 7