



US00D620740S

(12) **United States Design Patent**  
**Black et al.**

(10) **Patent No.:** **US D620,740 S**

(45) **Date of Patent:** **\*\* Aug. 3, 2010**

(54) **COMFORTER WITH POSITIONED TEXT**

(76) Inventors: **Michael Black**, 2681 W. Kinneville Rd.,  
Leslie, MI (US) 49251; **Bryan Joseph**,  
1160 Hannah Ct., Benton Harbor, MI  
(US) 49025; **Thomas Benson**, 4599  
Mistywood Dr., Okemos, MI (US) 46864

(\*\*) Term: **14 Years**

(21) Appl. No.: **29/356,094**

(22) Filed: **Feb. 19, 2010**

(51) **LOC (9) Cl.** ..... **06-09**

(52) **U.S. Cl.** ..... **D6/603**

(58) **Field of Classification Search** ..... D6/595,  
D6/596, 601, 602, 603, 605; 5/482, 485,  
5/488-491, 494-502, 907

See application file for complete search history.

(56) **References Cited**

**U.S. PATENT DOCUMENTS**

2,679,056 A \* 5/1954 Simpson ..... 5/485  
D260,593 S \* 9/1981 Dolinar et al. .... D6/602  
5,153,957 A \* 10/1992 Price, Sr. .... 5/500

5,655,236 A \* 8/1997 Murray ..... 5/495  
D388,997 S \* 1/1998 Trower ..... D6/602  
2008/0047063 A1\* 2/2008 Jay ..... 5/482

\* cited by examiner

*Primary Examiner*—Janice E Seeger

(74) *Attorney, Agent, or Firm*—Fitch, Even, Tabin &  
Flannery; John M. Naber

(57) **CLAIM**

I claim the ornamental design for a comforter with positioned  
text, substantially as shown and described.

**DESCRIPTION**

FIG. 1 is a perspective view of a comforter with positioned  
text of the present invention.

FIG. 2 is a top view thereof.

FIG. 3 is a side view thereof.

FIG. 4 is a side view thereof.

FIG. 5 is a front view thereof.

FIG. 6 is a front view thereof; and,

FIG. 7 is a bottom view thereof.

**1 Claim, 5 Drawing Sheets**

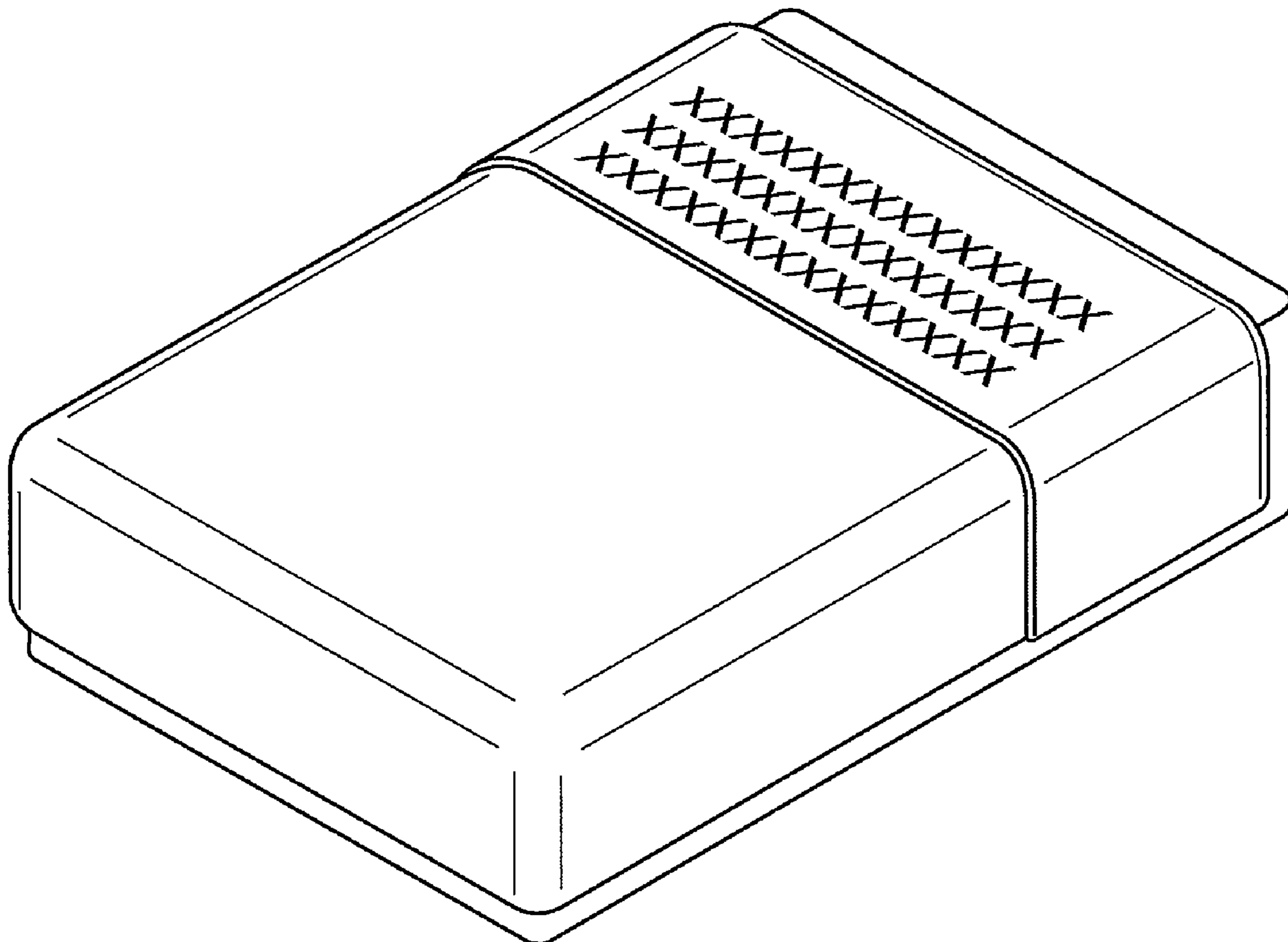
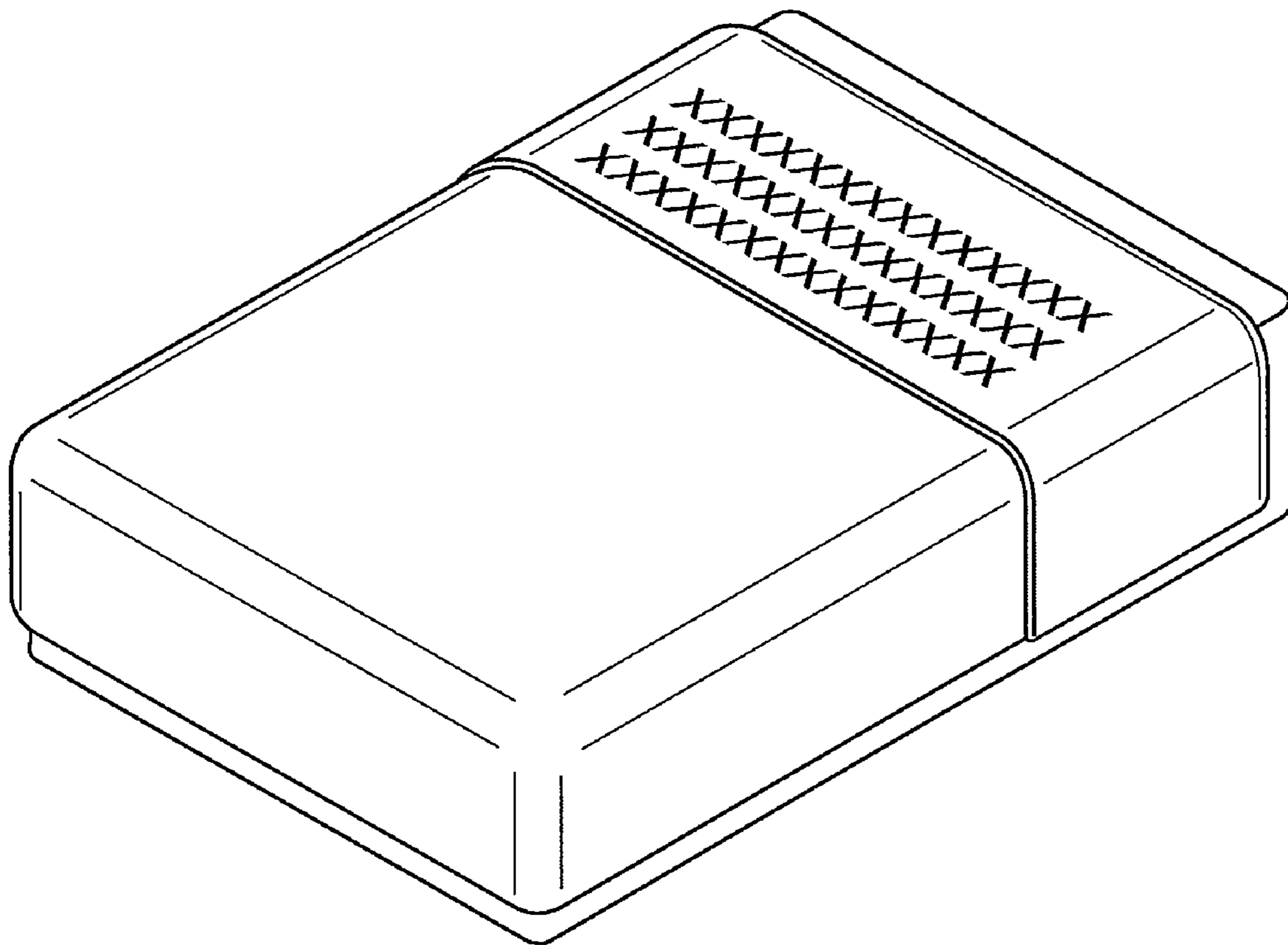
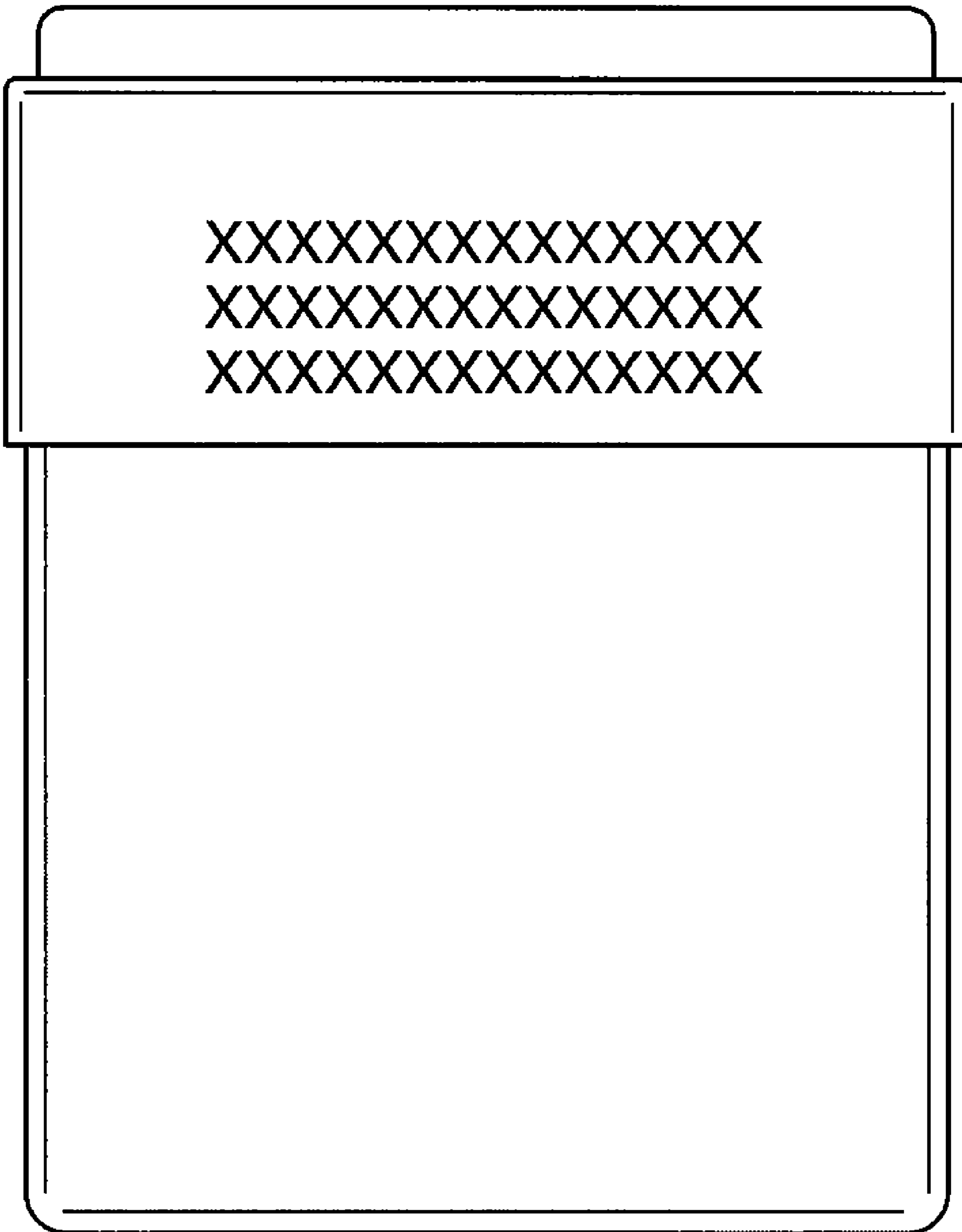


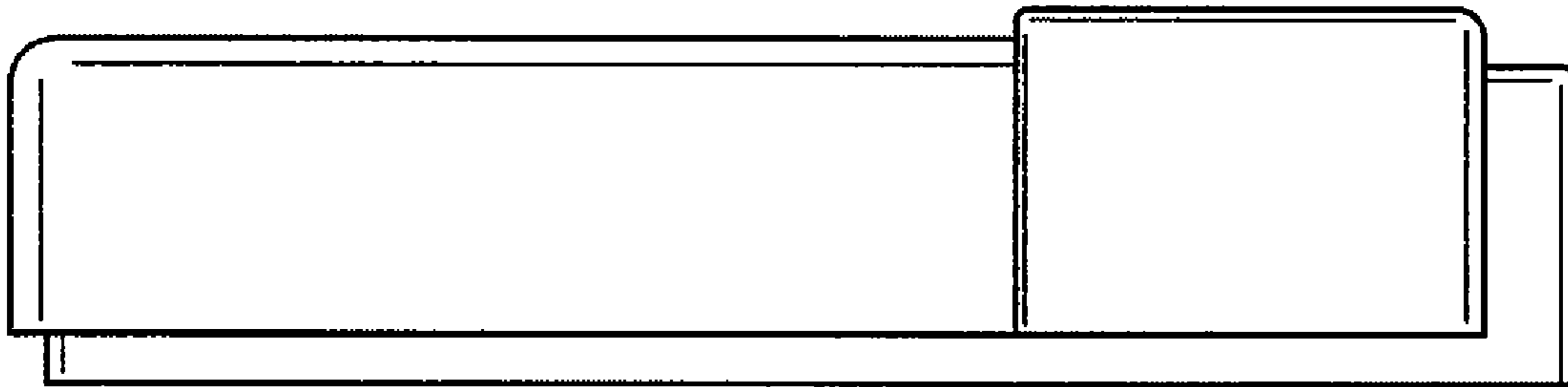
FIGURE 1



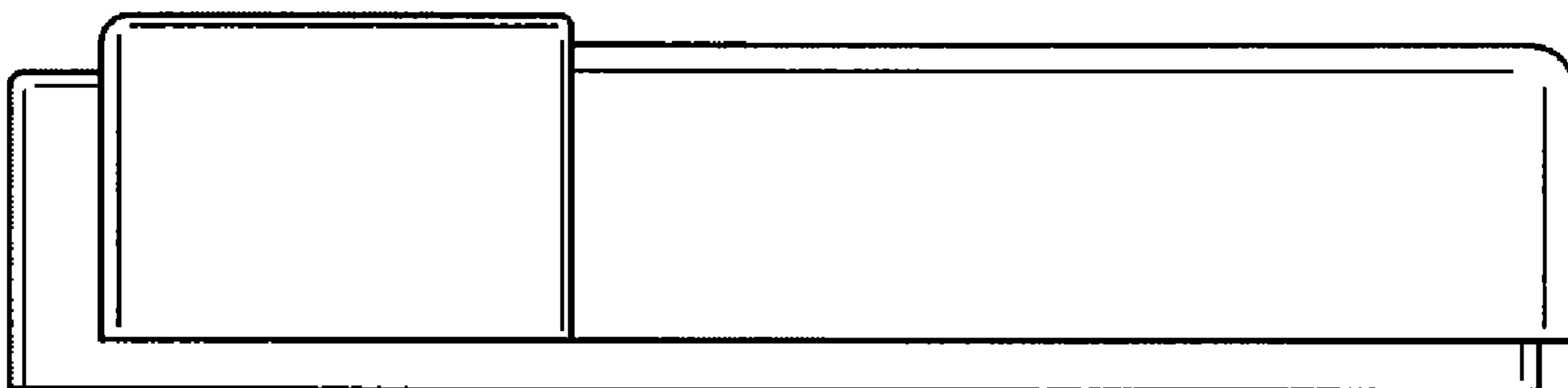
# FIGURE 2



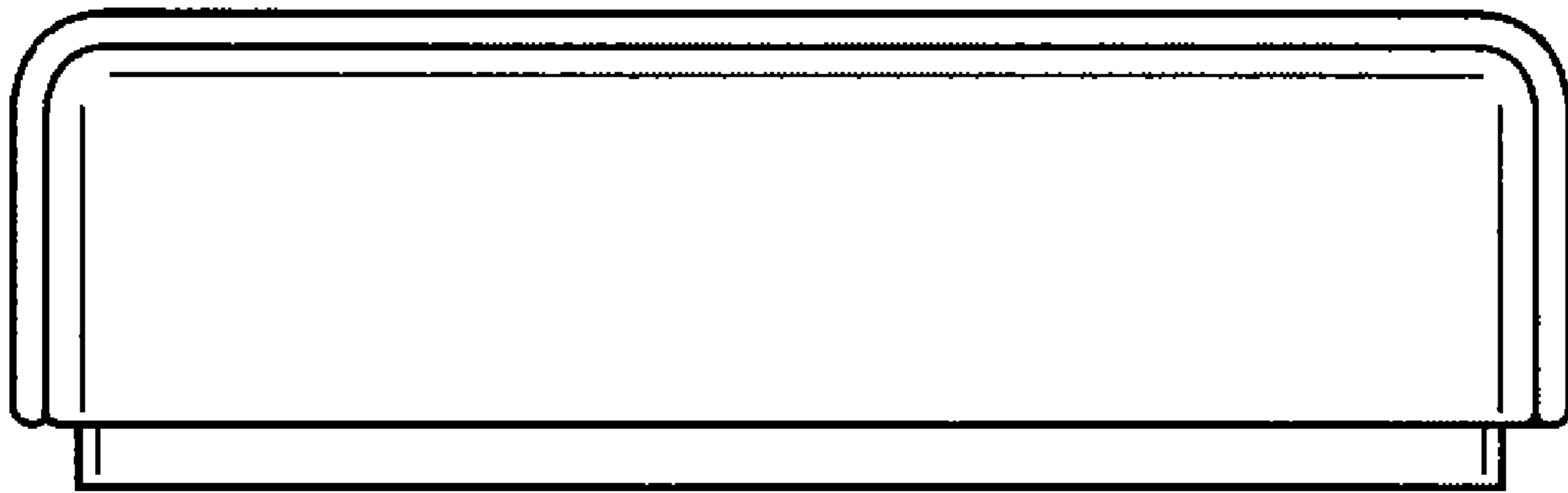
**FIGURE 3**



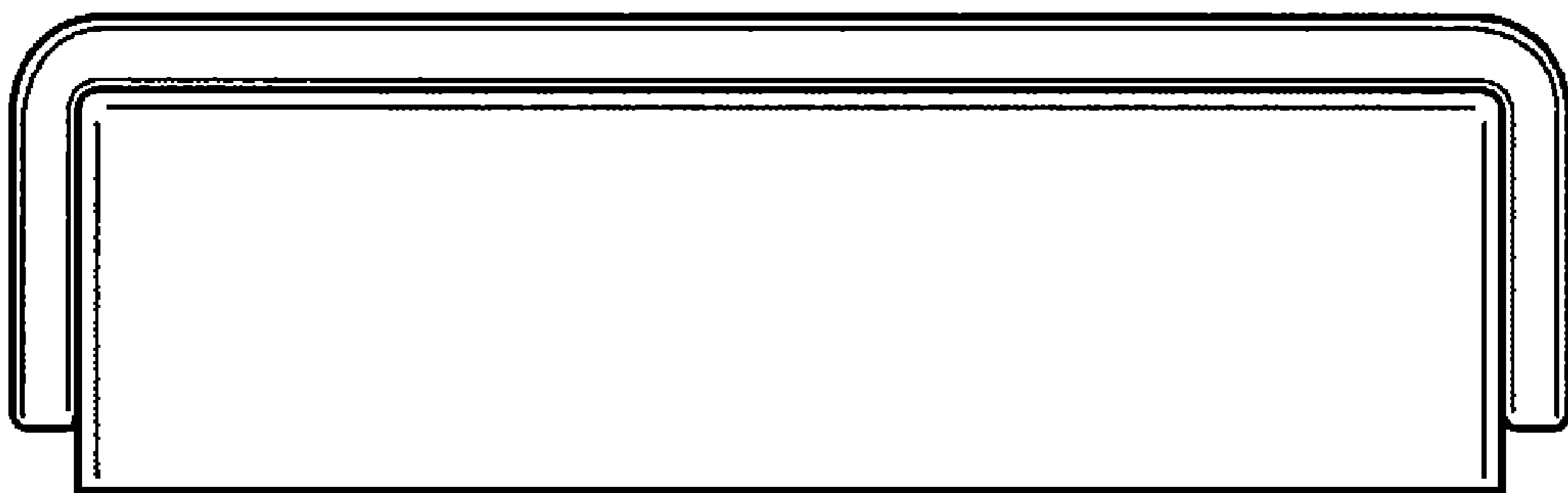
**FIGURE 4**



# FIGURE 5



# FIGURE 6



# FIGURE 7

