



US00D620737S

(12) **United States Design Patent**
Nakaoka et al.

(10) **Patent No.:** **US D620,737 S**
(45) **Date of Patent:** **** Aug. 3, 2010**

(54) **SHELF**

(75) Inventors: **Christine H. Nakaoka**, New York, NY (US); **Norman P. Roberts**, New York, NY (US)

(73) Assignee: **Nakaoka / Roberts LLC**, New York, NY (US)

(**) Term: **14 Years**

(21) Appl. No.: **29/340,260**

(22) Filed: **Jul. 15, 2009**

(51) **LOC (9) Cl.** **06-04**

(52) **U.S. Cl.** **D6/574**

(58) **Field of Classification Search** D6/518-524,
D6/548-550, 574; D8/300, 303, 315-321,
D8/349, 354, 363, 373, 380; 108/28-29;
211/13.1, 16, 60.1, 100, 86.01, 87.01, 88.01,
211/88.04, 105.1-105.2, 123, 182, 181.1;
248/176, 176.1, 251, 302, 309.1; 16/110.1,
16/412, 415; 242/570, 590, 595-598

See application file for complete search history.

(56) **References Cited**

U.S. PATENT DOCUMENTS

D91,067 S * 11/1933 Watkins D6/574

D159,022 S * 6/1950 Guild D6/574
D225,779 S * 1/1973 Viviano et al. D6/570
D275,348 S * 9/1984 Olson D6/574
D277,149 S * 1/1985 Hind D6/574
D546,103 S * 7/2007 Eyman et al. D6/574
D547,585 S * 7/2007 Netto et al. D6/574
D553,408 S * 10/2007 Kubota D6/553

* cited by examiner

Primary Examiner—Brian N Vinson

(74) *Attorney, Agent, or Firm*—Levenfeld Pearlstein, LLC

(57) **CLAIM**

The ornamental design for a shelf, as shown and described.

DESCRIPTION

FIG. 1 is a front perspective view of a shelf embodying the principles of our new design;

FIG. 2 is a front view thereof;

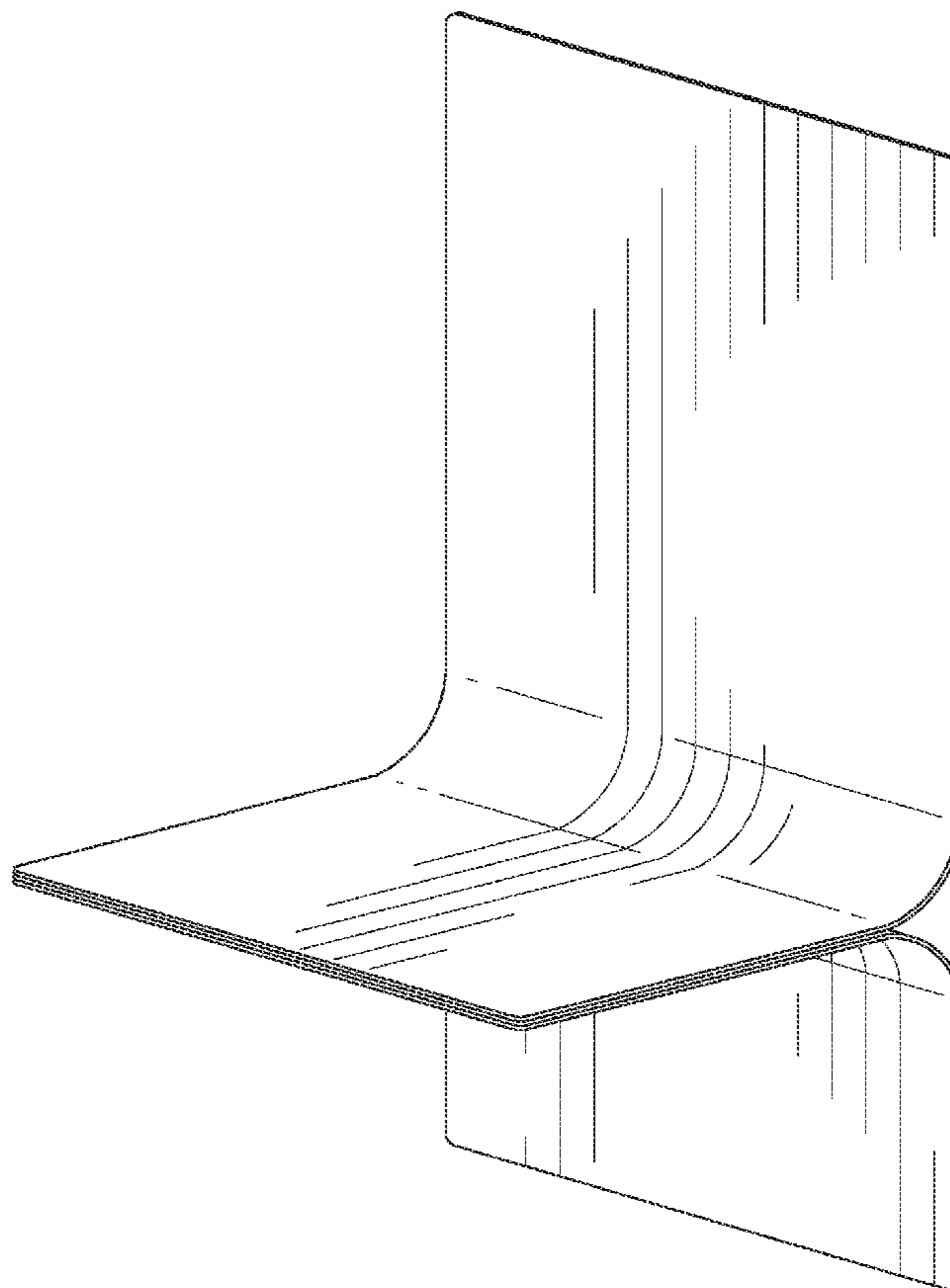
FIG. 3 is a rear view thereof;

FIG. 4 is a top view thereof, the bottom view being a mirror image thereof; and,

FIG. 5 is a side view thereof, the opposite side being a mirror image thereof.

The broken line showing of hanging elements in FIGS. 3, 4 and 5 form no part of the claimed design.

1 Claim, 4 Drawing Sheets



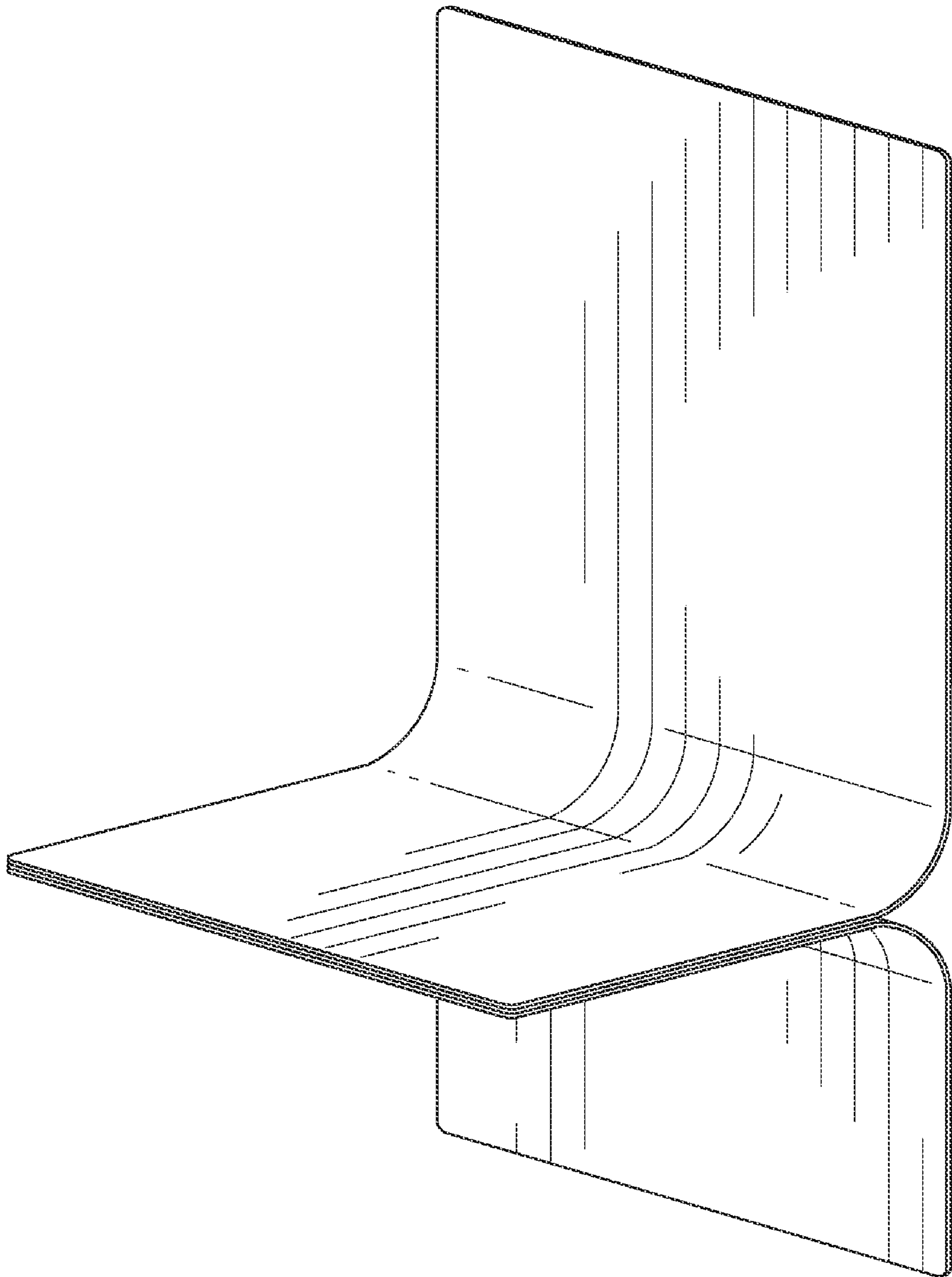


FIG. 1



FIG. 2

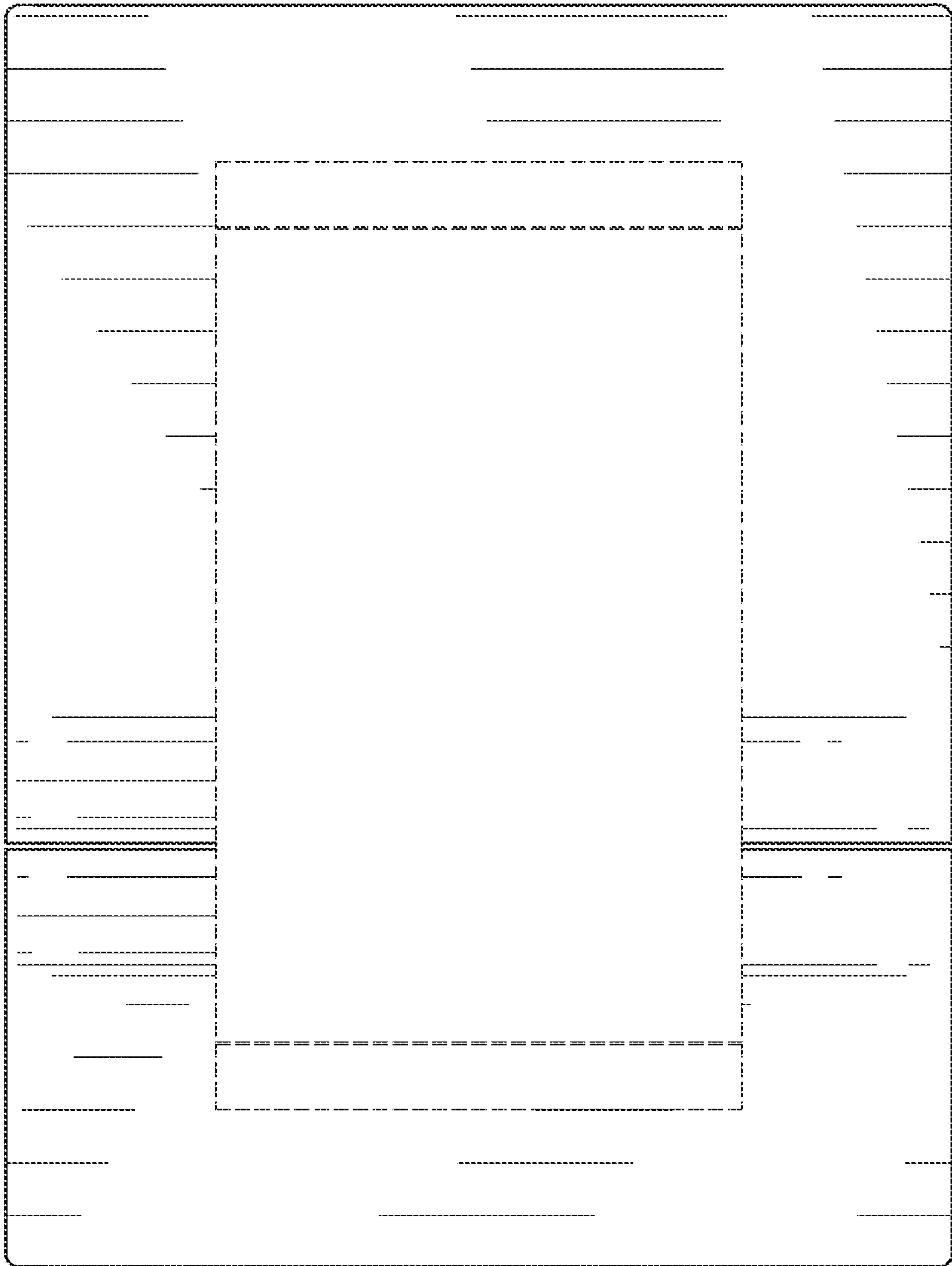


FIG. 3

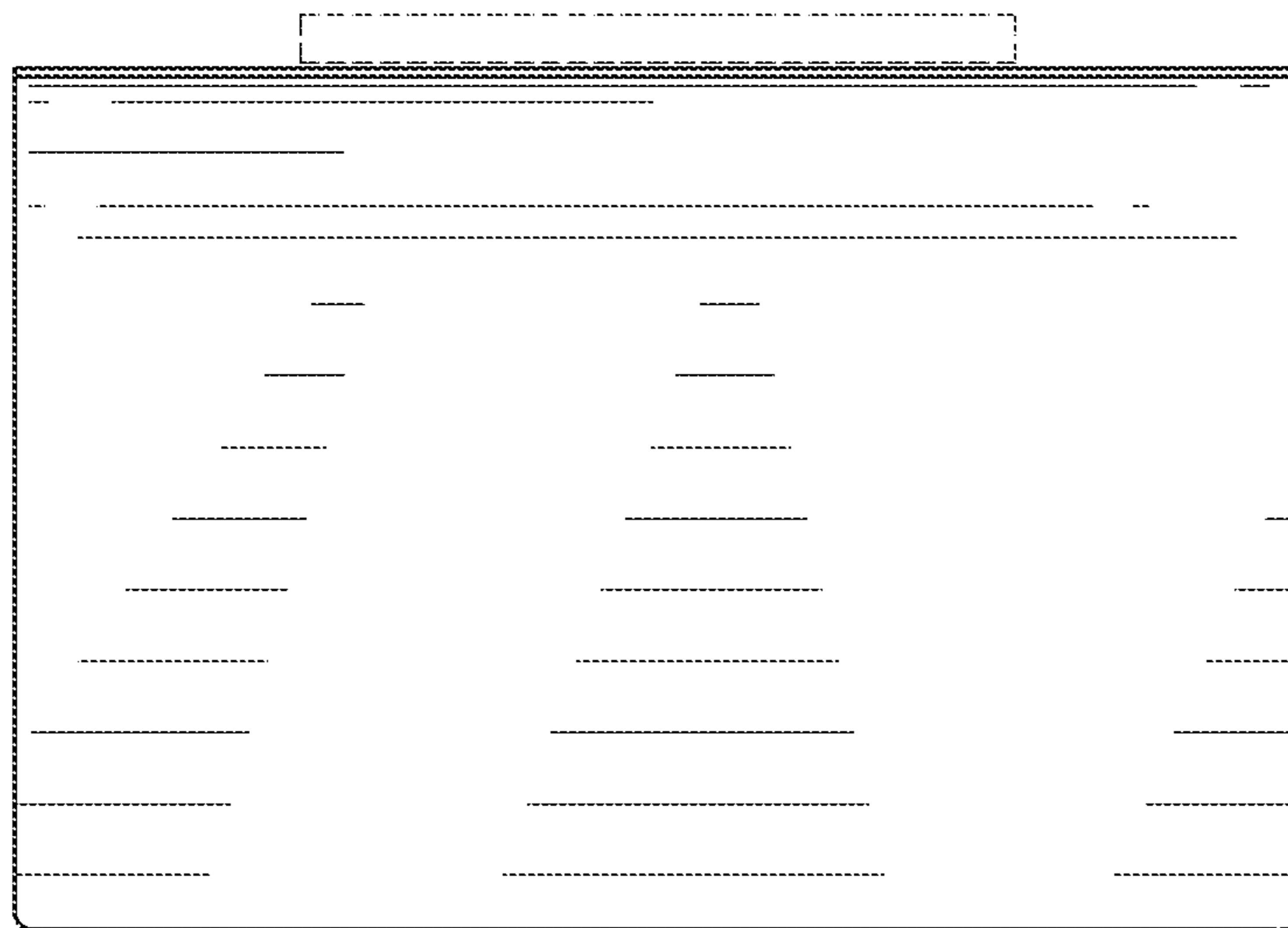


FIG. 4

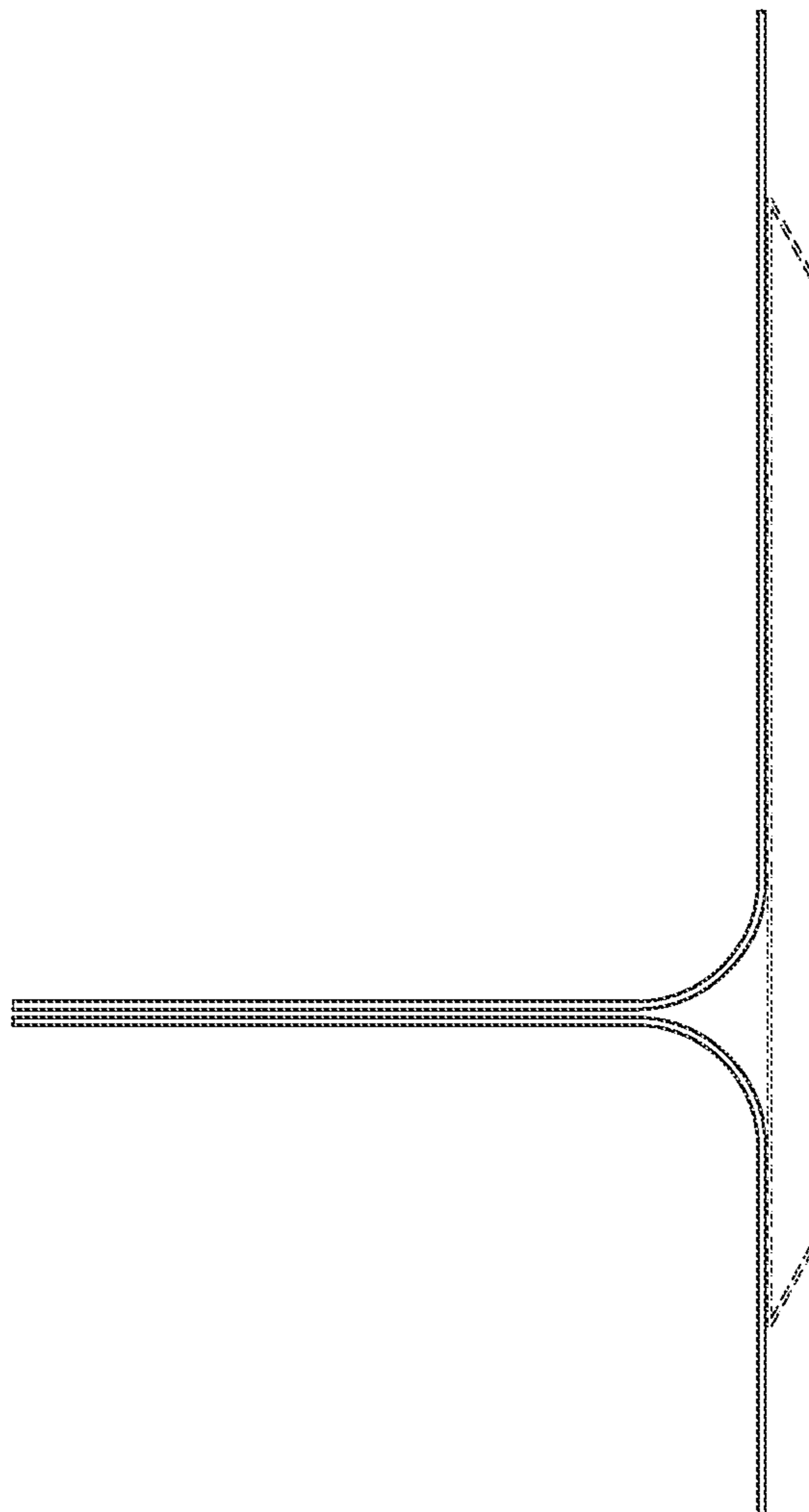


FIG. 5