



US00D620735S

(12) **United States Design Patent**  
**Schmidt et al.**

(10) **Patent No.:** **US D620,735 S**

(45) **Date of Patent:** **\*\* Aug. 3, 2010**

(54) **BRACKET WITH LOCKING MECHANISM FOR A FLUID DISPENSER**

D569,669 S \* 5/2008 Nichols et al. .... D6/545

\* cited by examiner

(75) Inventors: **Laurie Schmidt**, Dallas, TX (US); **John Wiseman**, Lewisville, TX (US)

*Primary Examiner*—Brian N Vinson

(74) *Attorney, Agent, or Firm*—Howison & Arnott, L.L.P.

(73) Assignee: **Sports Solutions, Inc.**, Dallas, TX (US)

(57) **CLAIM**

(\*\*) Term: **14 Years**

The ornamental design for a bracket with locking mechanism for a fluid dispenser, as shown and described.

(21) Appl. No.: **29/354,901**

**DESCRIPTION**

(22) Filed: **Jan. 29, 2010**

(51) **LOC (9) Cl.** ..... **23-02**

FIG. 1 is a top, front, and right side perspective view of bracket with locking mechanism for a fluid dispenser showing our new design;

(52) **U.S. Cl.** ..... **D6/545**

FIG. 2 is a front elevational view thereof;

(58) **Field of Classification Search** ..... D6/542–545, D6/553, 567, 574; 206/77.1; 211/13.1, 86.01, 211/87.01; 221/14, 92, 649, 146.1, 146.2, 221/105; 222/281–282; D23/225

FIG. 3 is a right side elevational view thereof;

FIG. 4 is a left side elevational view thereof;

See application file for complete search history.

FIG. 5 is a rear elevational view thereof;

FIG. 6 is a top plan view thereof;

(56) **References Cited**

FIG. 7 is a bottom plan view thereof; and,

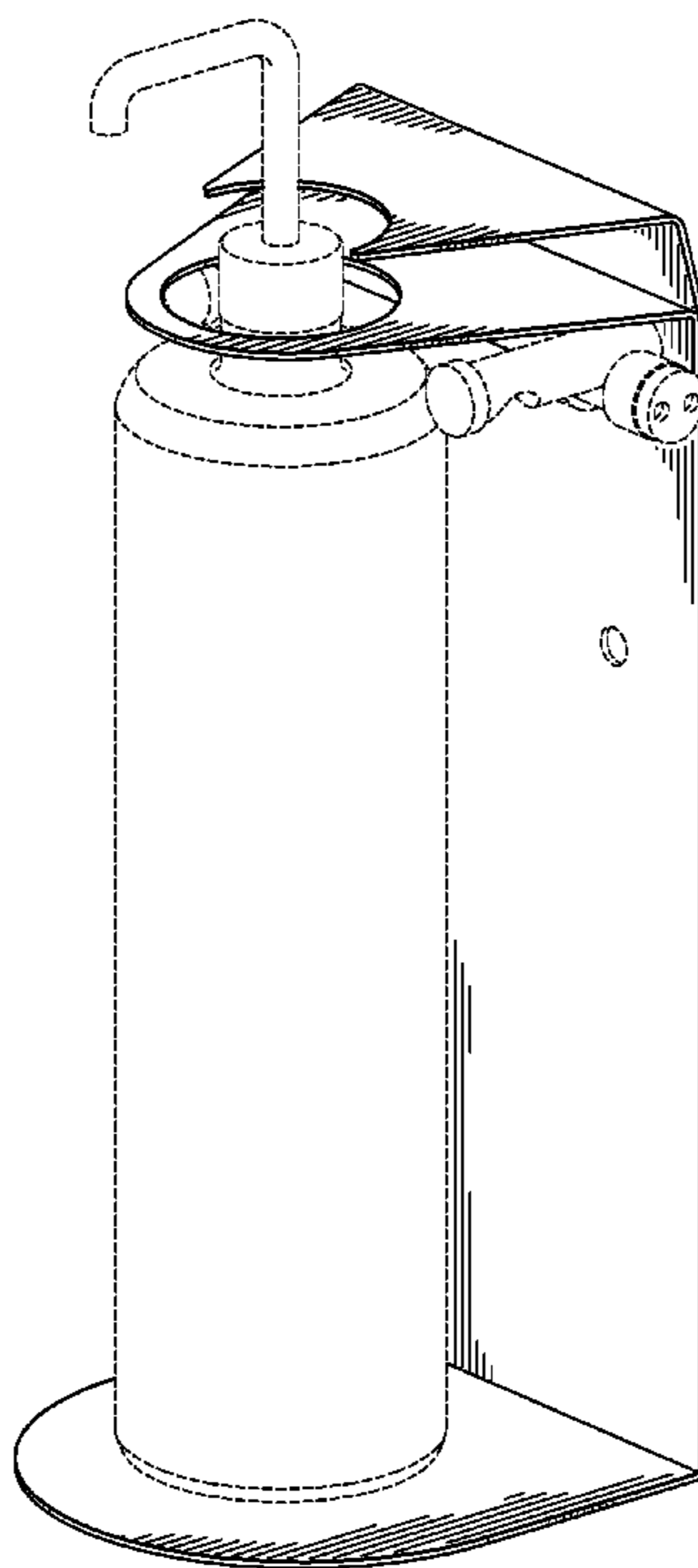
**U.S. PATENT DOCUMENTS**

FIG. 8 is a bottom front, and right side perspective view thereof.

3,229,858	A *	1/1966	Lesh	.....	D23/225
D328,216	S *	7/1992	Steed	.....	D6/567
D336,196	S *	6/1993	Gilchrist, Jr.	.....	D6/567
D385,287	S *	10/1997	Westcott	.....	D6/567
6,345,723	B1 *	2/2002	Blake et al.	.....	D6/545
D533,742	S *	12/2006	Matthews et al.	.....	D6/545
D547,988	S *	8/2007	Baker et al.	.....	D6/545

The broken-line disclosure of a fluid dispenser in the views is understood to be for illustrative purposes only and forms no part of the claimed design, while the remaining broken-line disclosure is understood to represent portions of the article in which the claimed design is embodied, but which form no part of the claimed design.

**1 Claim, 7 Drawing Sheets**



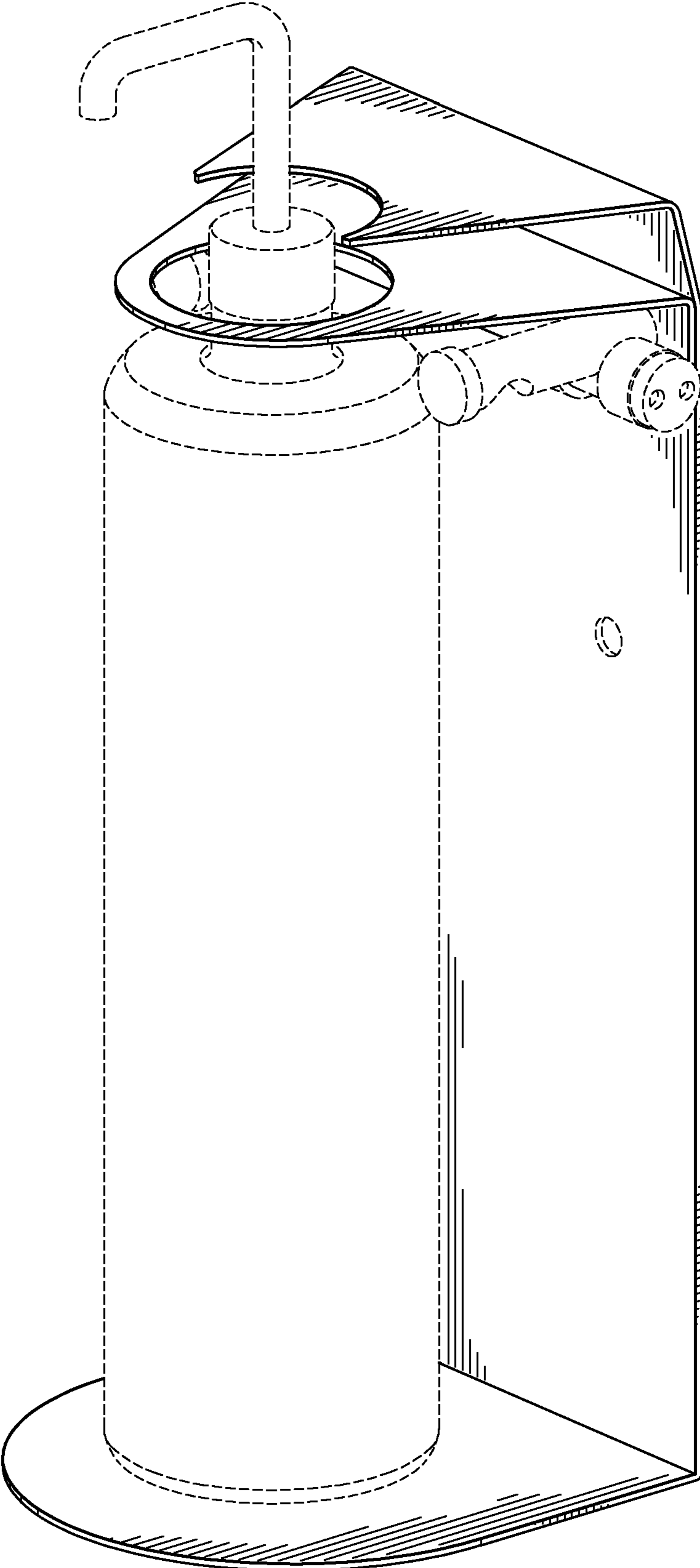


FIG. 1

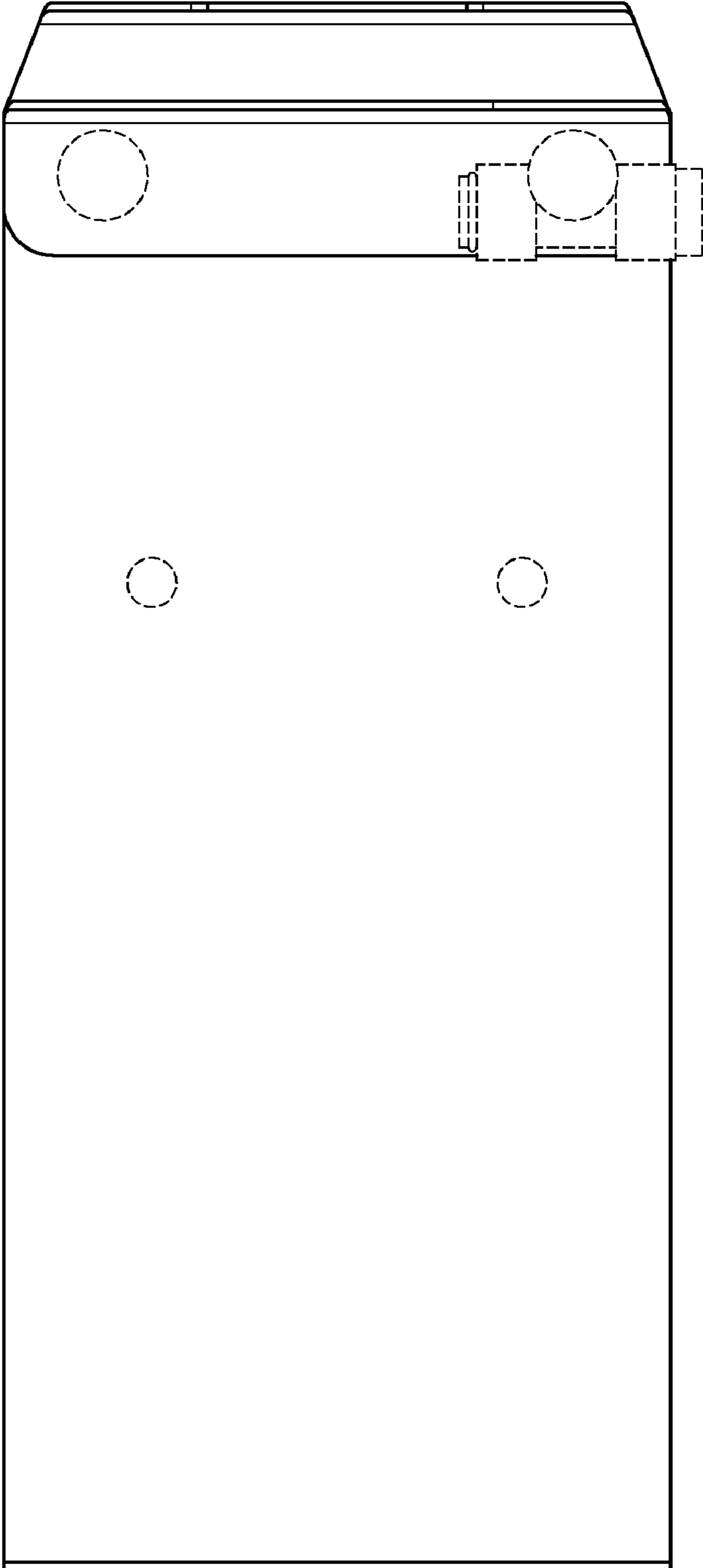


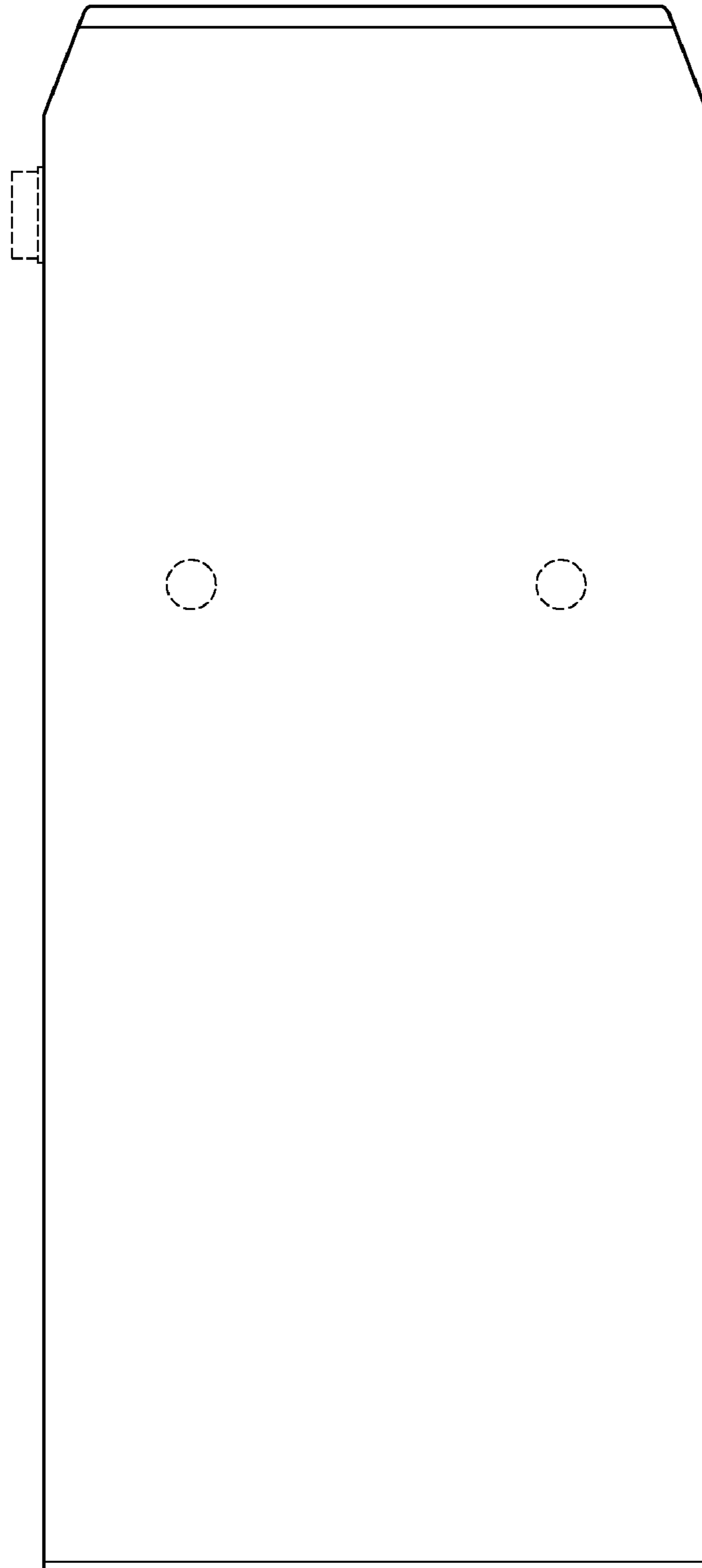
FIG. 2



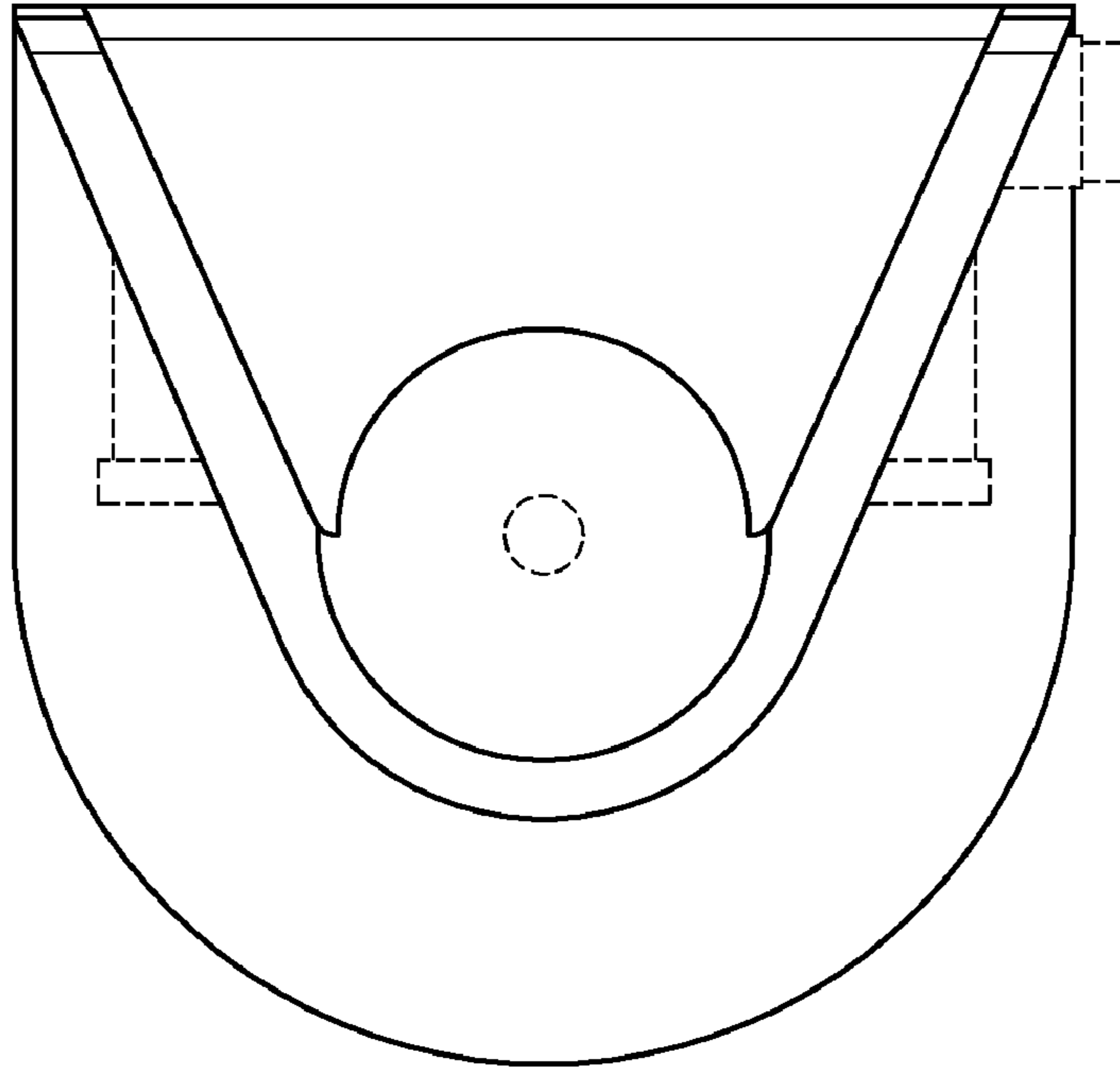
*FIG. 3*



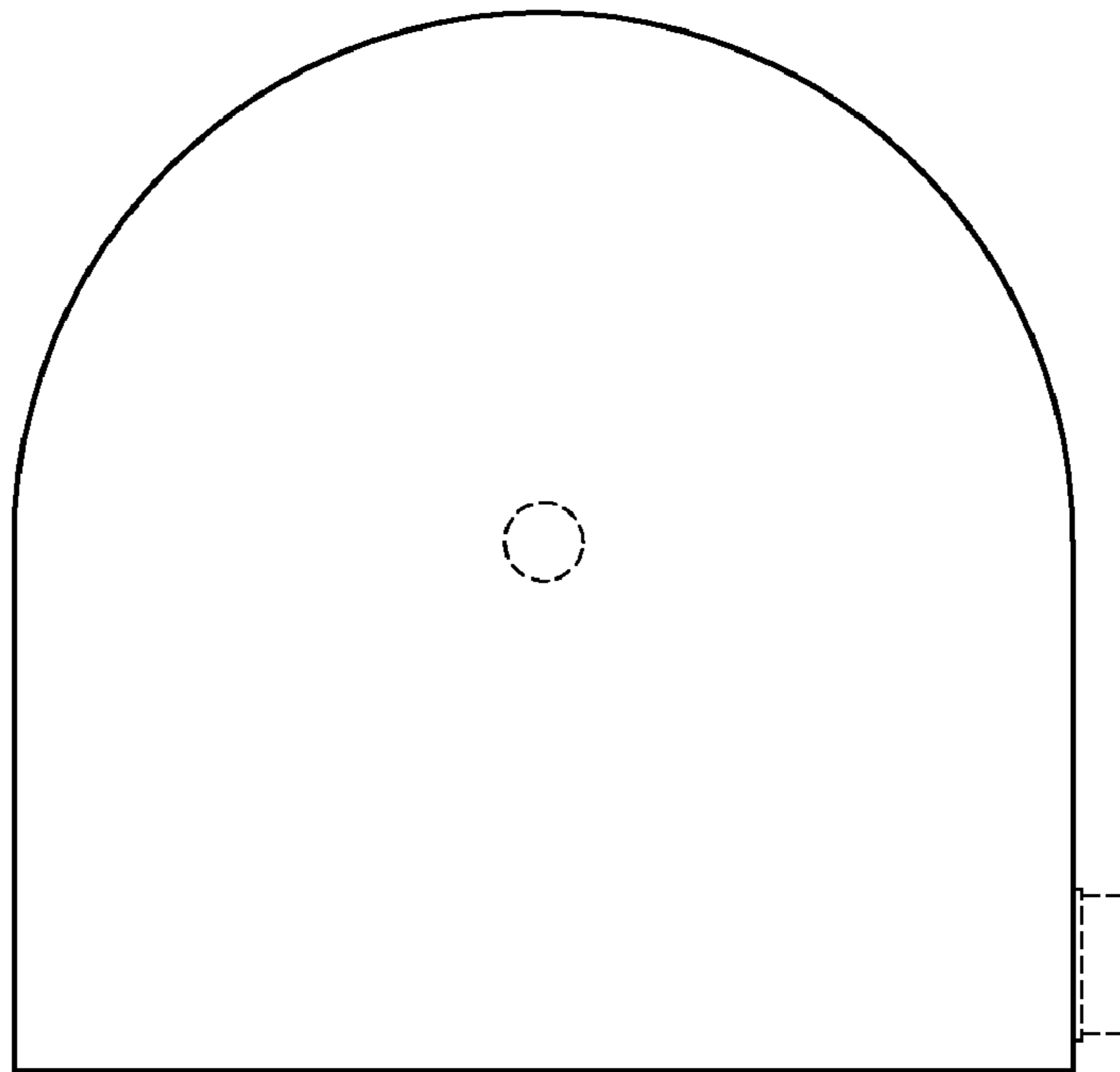
*FIG. 4*



*FIG. 5*



*FIG. 6*



*FIG. 7*

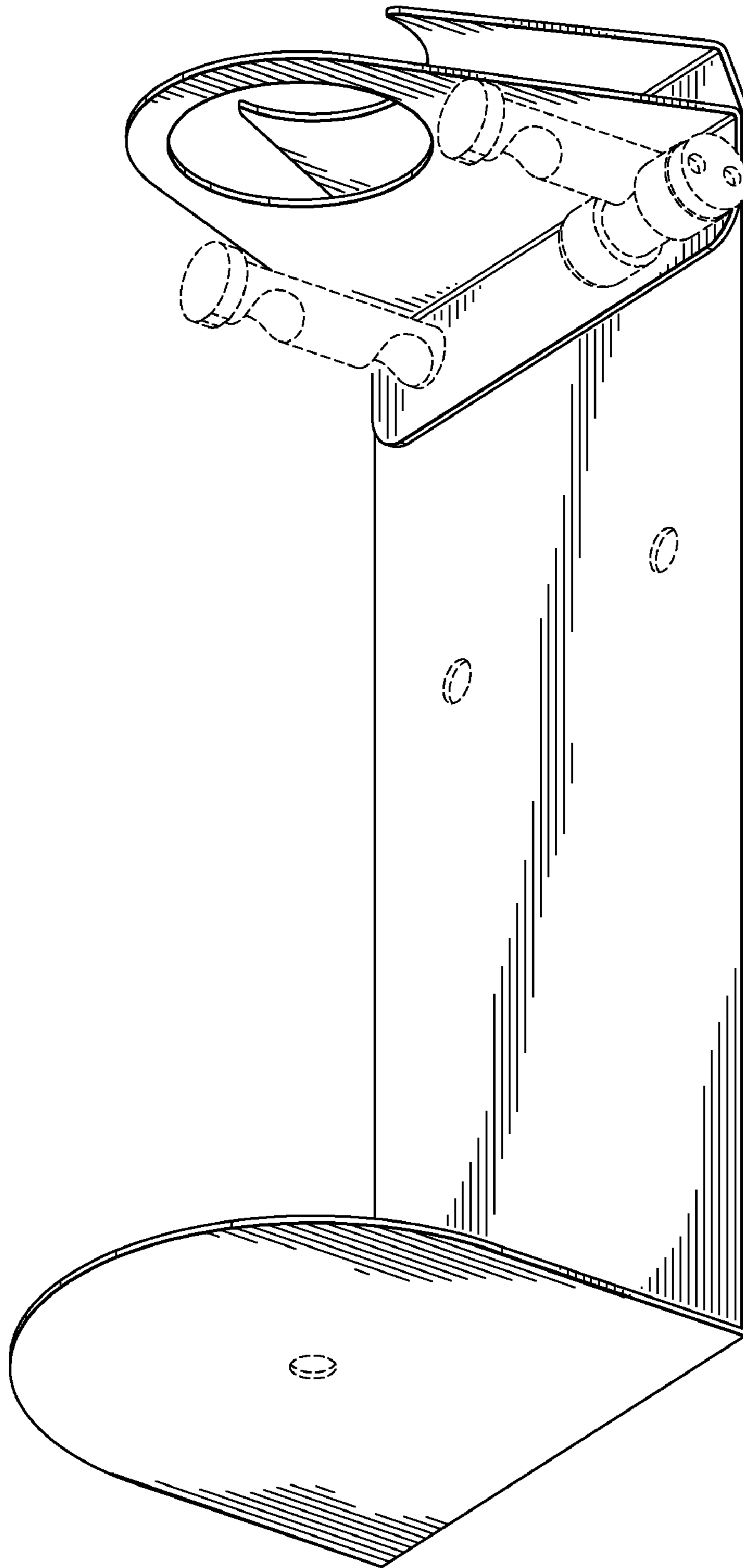


FIG. 8