



US00D620734S

(12) **United States Design Patent**
Leffall

(10) **Patent No.:** **US D620,734 S**

(45) **Date of Patent:** **** Aug. 3, 2010**

(54) **RESTROOM CUP HOLDER**

(76) **Inventor:** **Edward Leffall**, 928 N. Oxford Ave.,
#109, Los Angeles, CA (US) 90029

(**) **Term:** **14 Years**

(21) **Appl. No.:** **29/342,815**

(22) **Filed:** **Sep. 1, 2009**

(51) **LOC (9) Cl.** **23-02**

(52) **U.S. Cl.** **D6/535**

(58) **Field of Classification Search** D6/535,
D6/531, 540, 524, 553, 567, 525, 532, 536,
D6/537; 206/426; 211/13.1, 85.12, 70.7,
211/71.01, 74, 75, 86.01, 87.01; 248/309.1,
248/311.2, 312.1, 314

See application file for complete search history.

(56) **References Cited**

U.S. PATENT DOCUMENTS

2,893,675	A *	7/1959	Smith et al.	248/311.2
3,036,717	A	5/1962	Jhonson		
D277,149	S *	1/1985	Hind	D6/535
D293,532	S *	1/1988	Sussman	D6/531
D358,070	S *	5/1995	Sharpe	D6/531
D375,858	S *	11/1996	Sharpe	D6/531
D380,919	S *	7/1997	Goodman et al.	D6/537
5,934,637	A	8/1999	Robinson		
D436,478	S *	1/2001	Mahlmann	D6/535
D443,159	S *	6/2001	Ferrer Beltran	D6/537

6,273,005	B1	8/2001	Whermeyer		
D450,512	S *	11/2001	Gottwald	D6/535
D453,646	S *	2/2002	Gottwald	D6/535
6,568,133	B1	5/2003	Rodgers		
D478,757	S *	8/2003	Hoernig	D6/535
D551,481	S	9/2007	Loveless		

* cited by examiner

Primary Examiner—Brian N Vinson

(74) *Attorney, Agent, or Firm*—KB Patents; Luca D'Ottone

(57) **CLAIM**

The ornamental design for a restroom cup holder, as shown and described.

DESCRIPTION

FIG. 1 is a top, front, and left side perspective view of a restroom cup holder showing my new design;

FIG. 2 is a top, rear, and right side perspective view thereof;

FIG. 3 is a bottom, front, and right side perspective view thereof;

FIG. 4 is a front perspective view thereof;

FIG. 5 is a right side perspective view thereof;

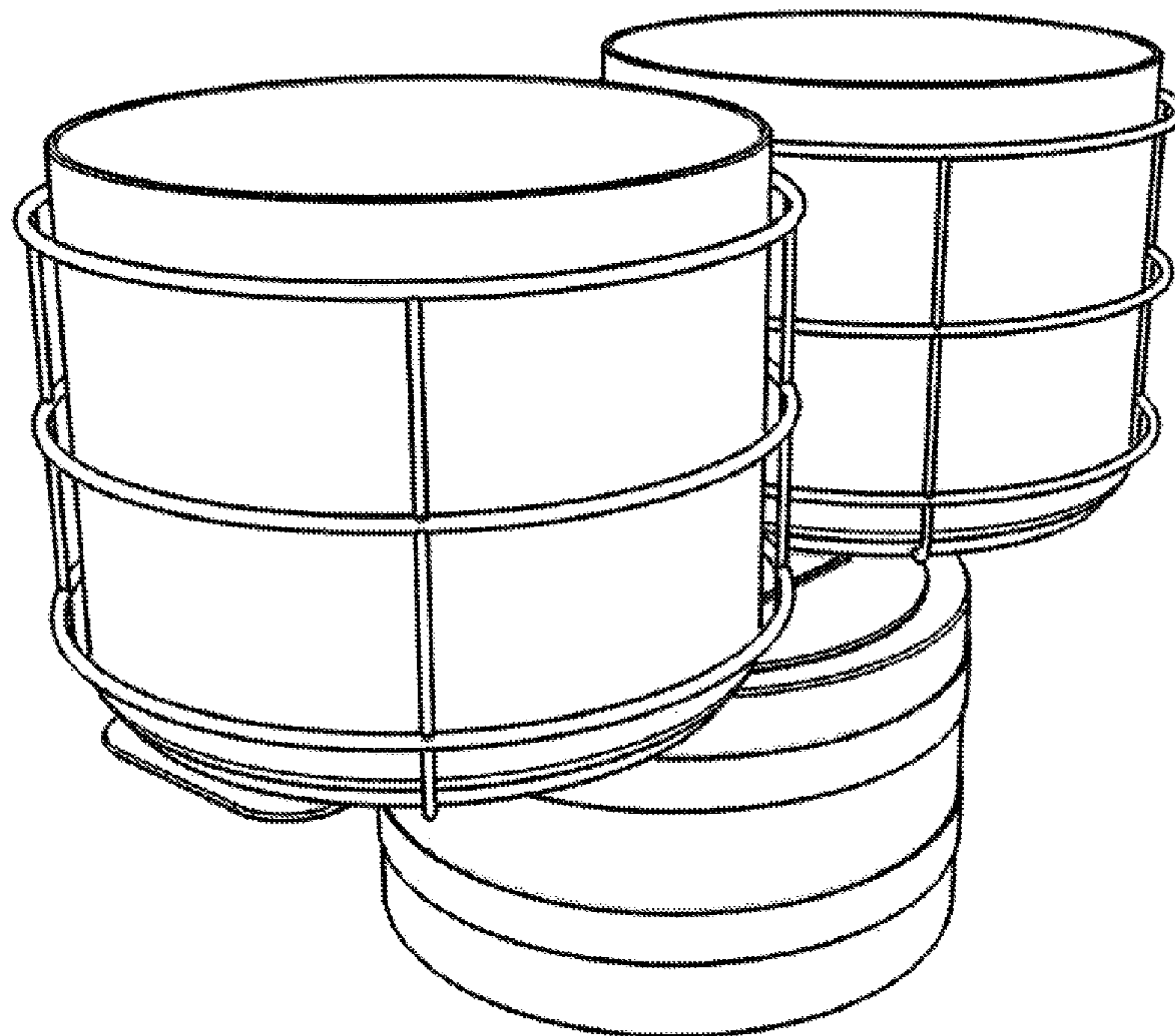
FIG. 6 is a left side perspective view thereof;

FIG. 7 is a top perspective view thereof;

FIG. 8 is a bottom perspective view thereof; and,

FIG. 9 is a rear perspective view thereof.

1 Claim, 9 Drawing Sheets



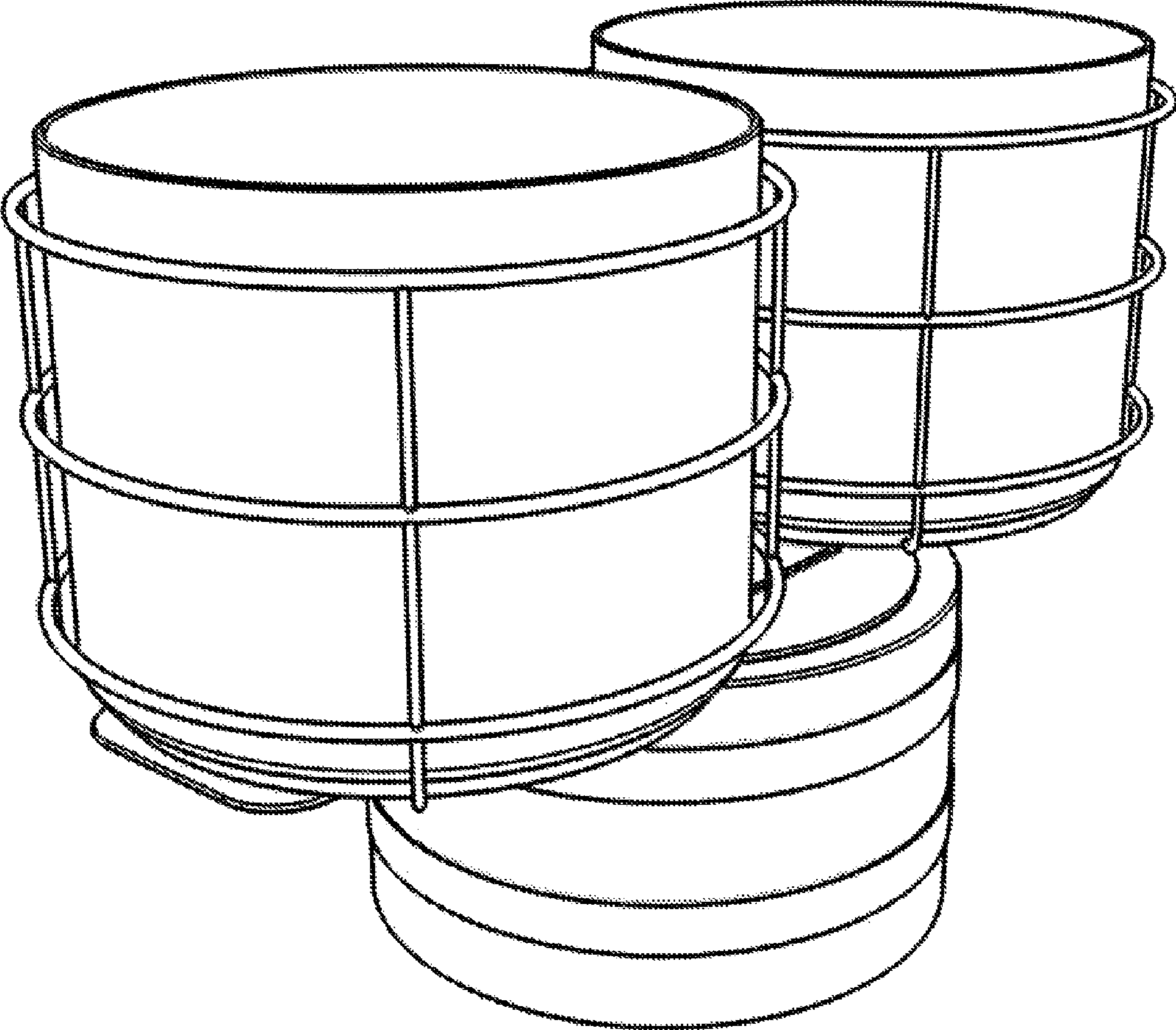


FIG. 1

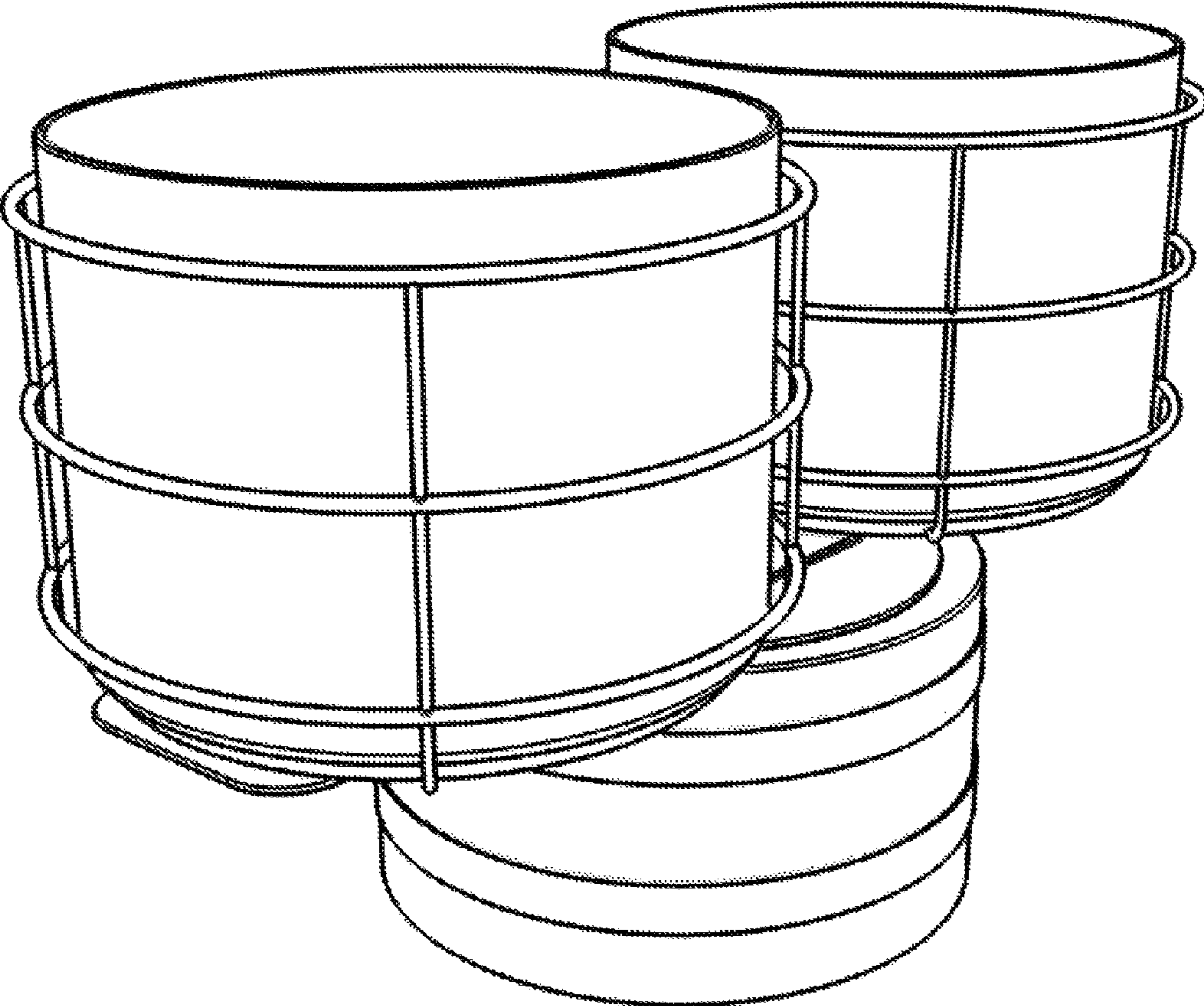


FIG. 2

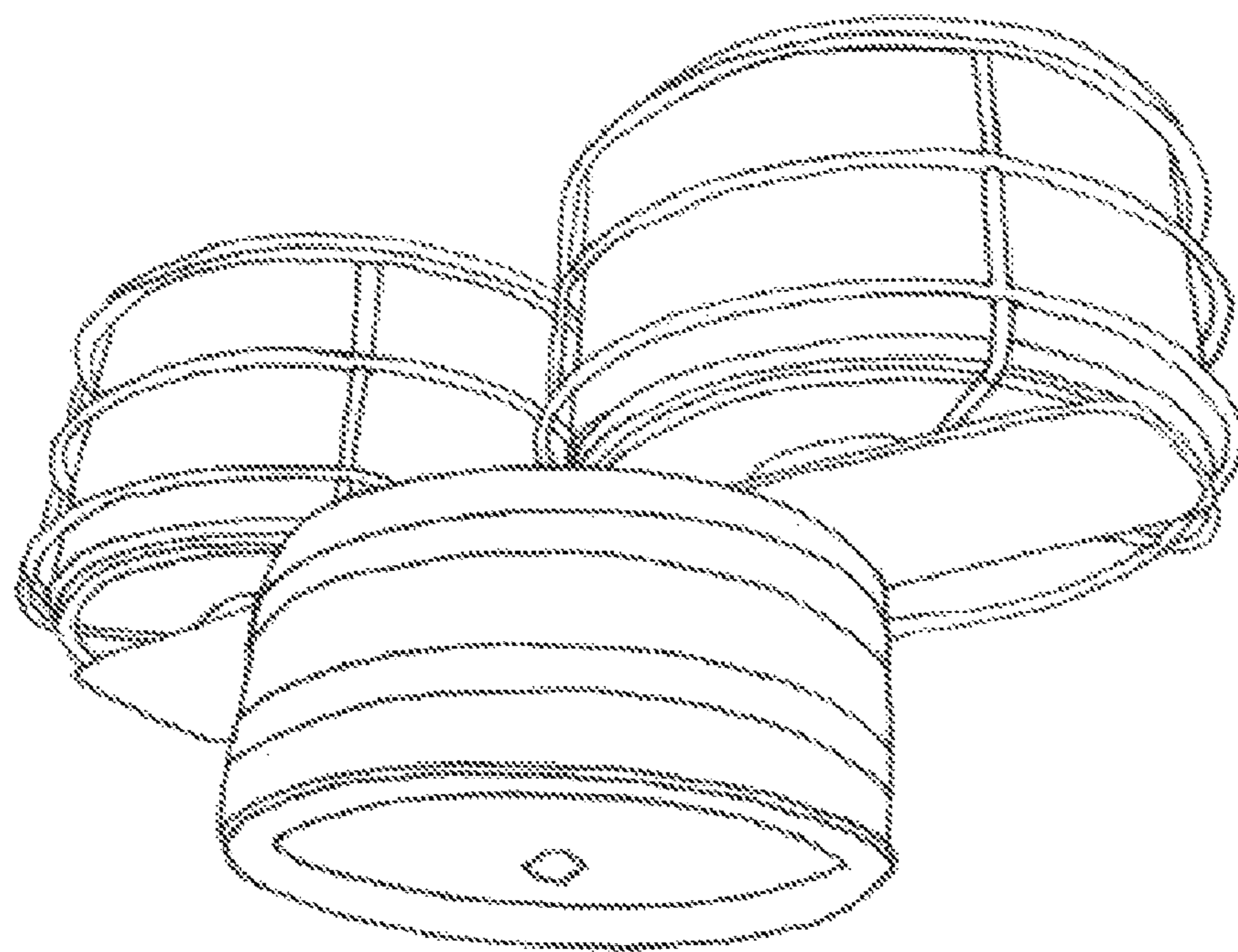


FIG. 3

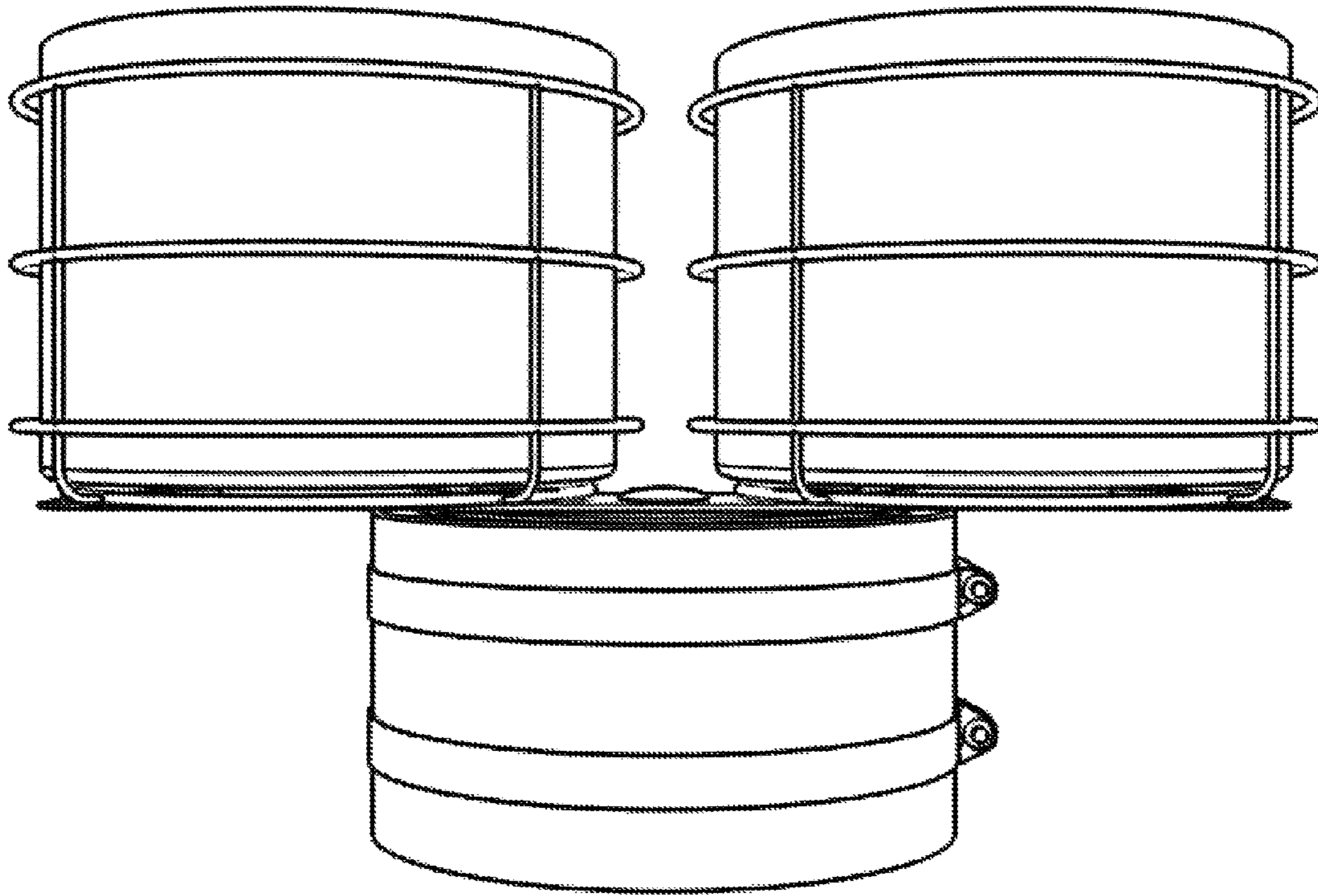


FIG. 4

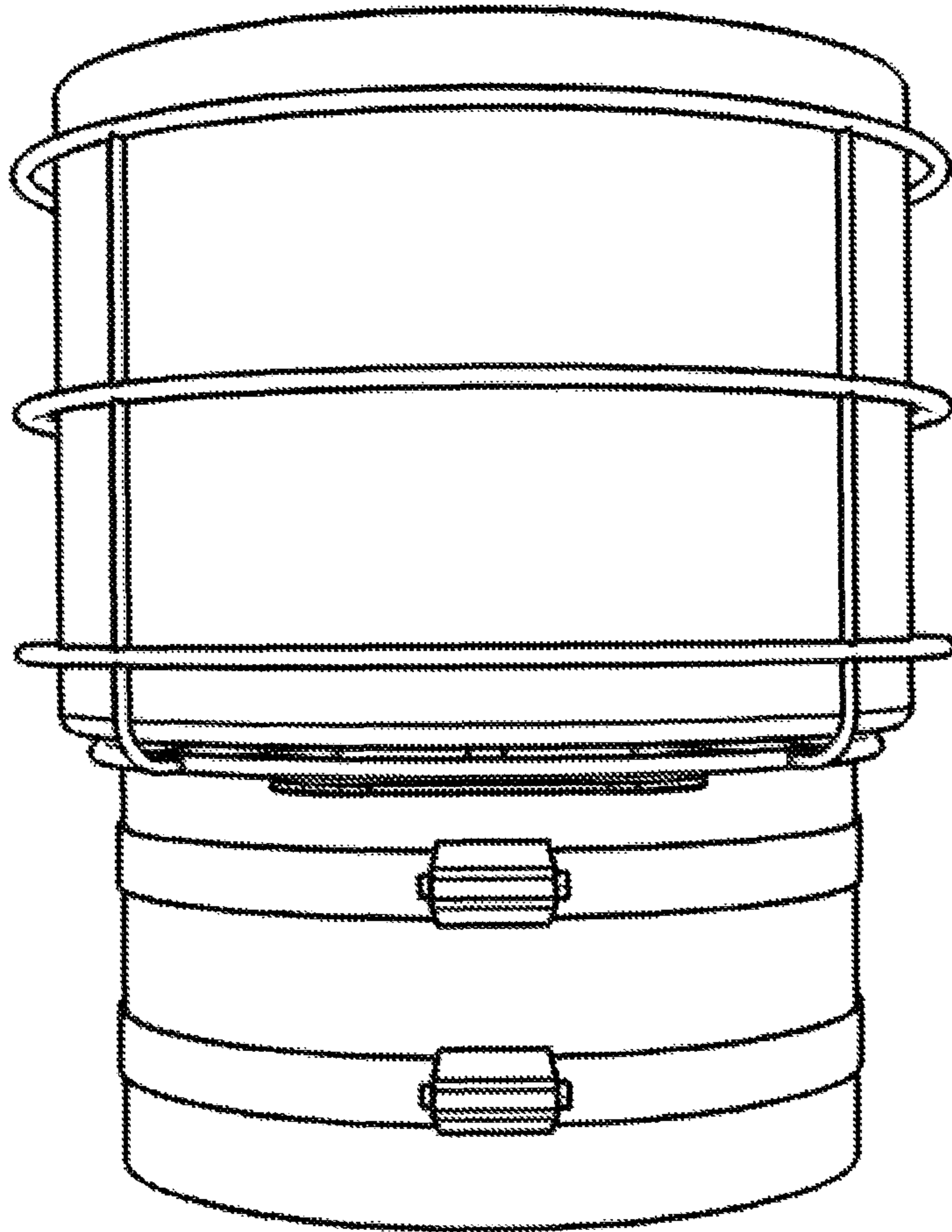


FIG. 5

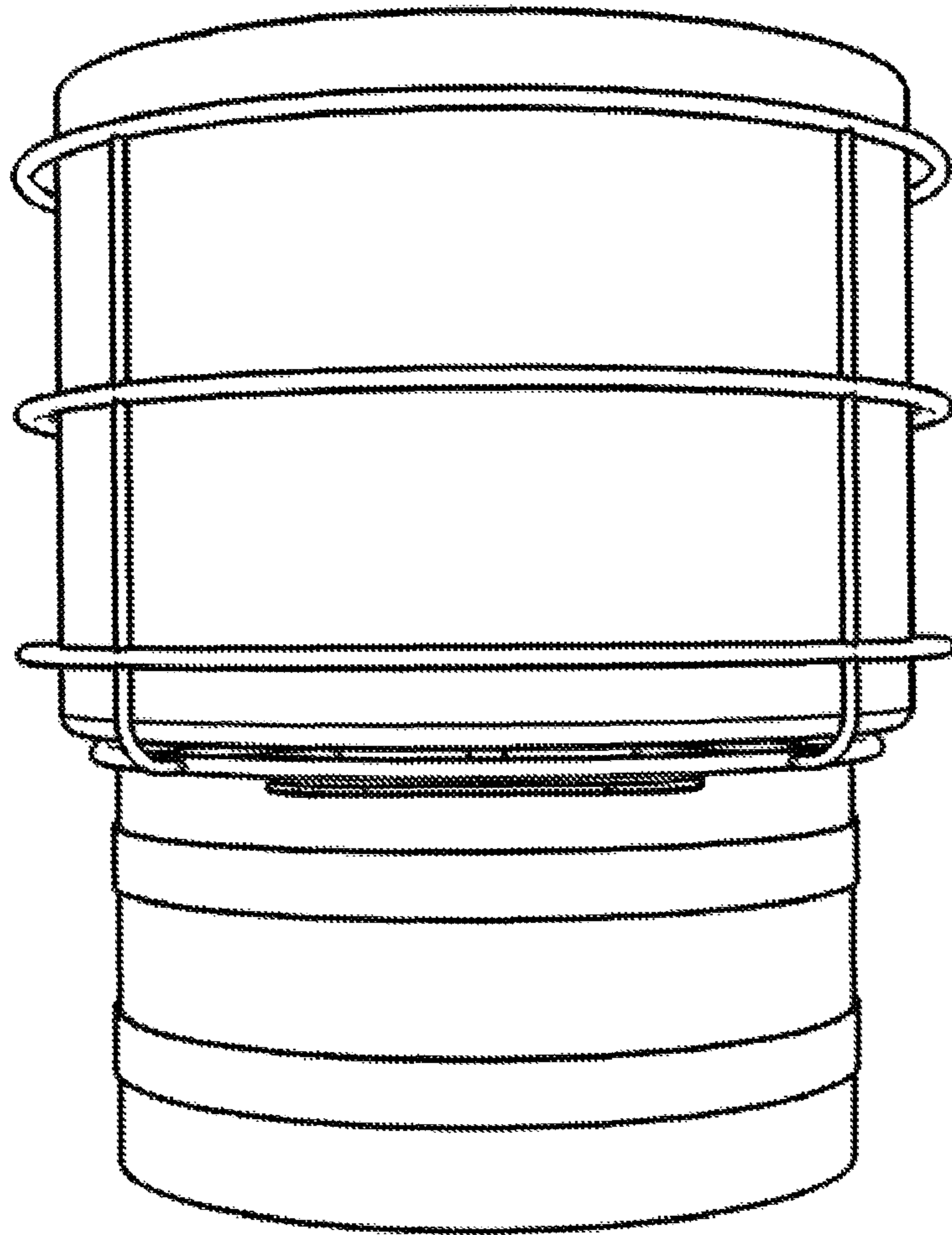


FIG. 6

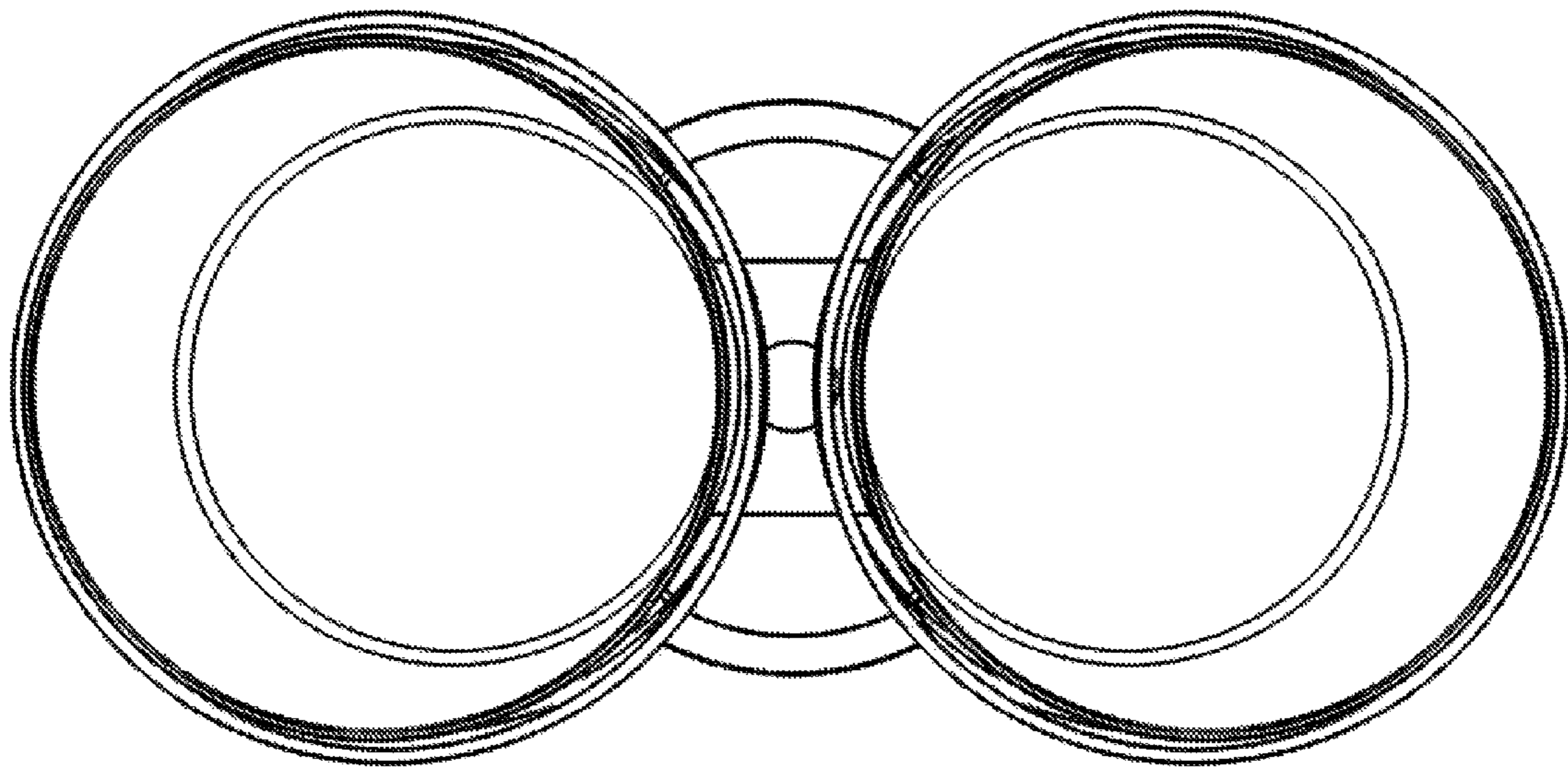


FIG. 7

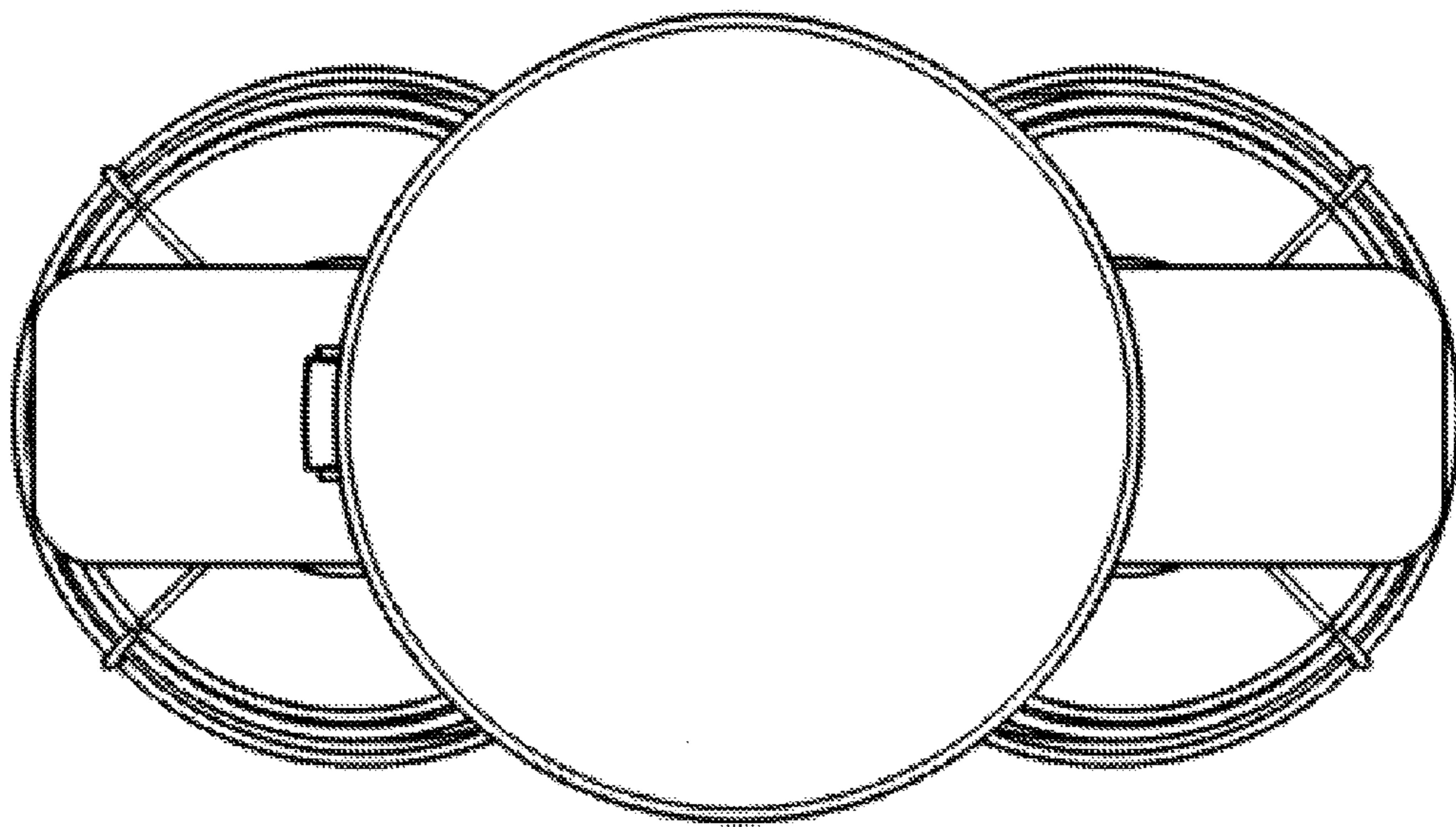


FIG. 8

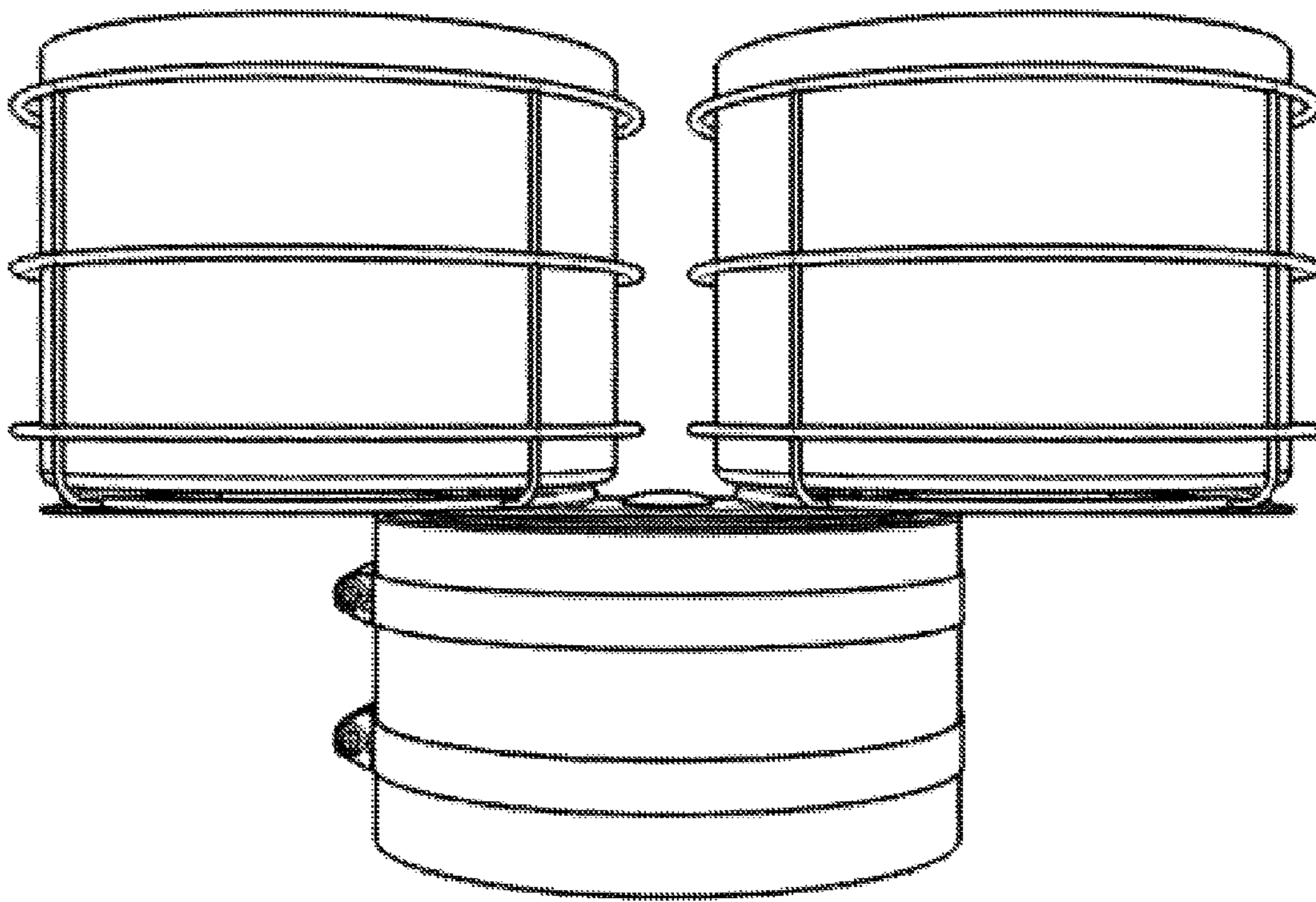


FIG. 9