



US00D620732S

(12) **United States Design Patent**
Andrews

(10) **Patent No.:** **US D620,732 S**

(45) **Date of Patent:** **** Aug. 3, 2010**

(54) **BEVERAGE CONTAINER HOLDER**

(75) Inventor: **Albert A. Andrews**, Cleveland, TN (US)

(73) Assignee: **Spectrum Laboratories, LLC**,
Cincinnati, OH (US)

(**) Term: **14 Years**

(21) Appl. No.: **29/335,414**

(22) Filed: **Apr. 15, 2009**

(51) **LOC (9) Cl.** **06-99**

(52) **U.S. Cl.** **D6/512; D7/619.1**

(58) **Field of Classification Search** D6/512,
D6/515, 553, 567, 524-525, 574; D7/619.1;
211/13.1, 85.4, 32, 35, 41.1, 41.5, 41.6, 42-43,
211/49.1, 70.6, 74, 75, 86.01, 87.01, 90.01,
211/90.02, 119.003, 119.005, 126.1, 126.5,
211/126.6

See application file for complete search history.

(56) **References Cited**

U.S. PATENT DOCUMENTS

2,061,937	A *	11/1936	Fay	211/49.1
D312,185	S *	11/1990	Prater, Sr.	D6/574
D336,579	S *	6/1993	Keller et al.	D6/574
D386,637	S *	11/1997	St-Pierre et al.	D6/515
D414,059	S *	9/1999	Scholey et al.	D6/515
D425,375	S *	5/2000	Parham	D7/619.1
D546,610	S *	7/2007	Blanchard	D6/567
D562,081	S *	2/2008	Ambach	D7/619.1

* cited by examiner

Primary Examiner—Brian N Vinson

(74) *Attorney, Agent, or Firm*—McDonald Hopkins, LLC

(57) **CLAIM**

The ornamental design of a beverage container holder, as shown and described.

DESCRIPTION

FIG. 1 is a perspective view of a beverage container holder arranged in an open position;

FIG. 2 is a front view of the beverage container holder as arranged in FIG. 1;

FIG. 3 is a rear view of the beverage container holder as arranged in FIG. 1;

FIG. 4 is a top view of the beverage container holder as arranged in FIG. 1;

FIG. 5 is a bottom view of the beverage container holder as arranged in FIG. 1;

FIG. 6 is a left side view of the beverage container holder as arranged in FIG. 1;

FIG. 7 is a right side view of the beverage container holder as arranged in FIG. 1;

FIG. 8 is a front, top view of the beverage container holder arranged in a closed position;

FIG. 9 is a back, top view of the beverage container holder arranged in a closed position; and,

FIG. 10 is a perspective view of the beverage container holder arranged in an open position while holding bottles.

The broken line disclosure of wine bottles in the views is for illustrative purposes only and forms no part of the claimed design, while the broken-line disclosure of portions of the holder itself are understood to represent portions of the article in which the claimed design is embodied, but which forms no part of the claimed design.

1 Claim, 9 Drawing Sheets

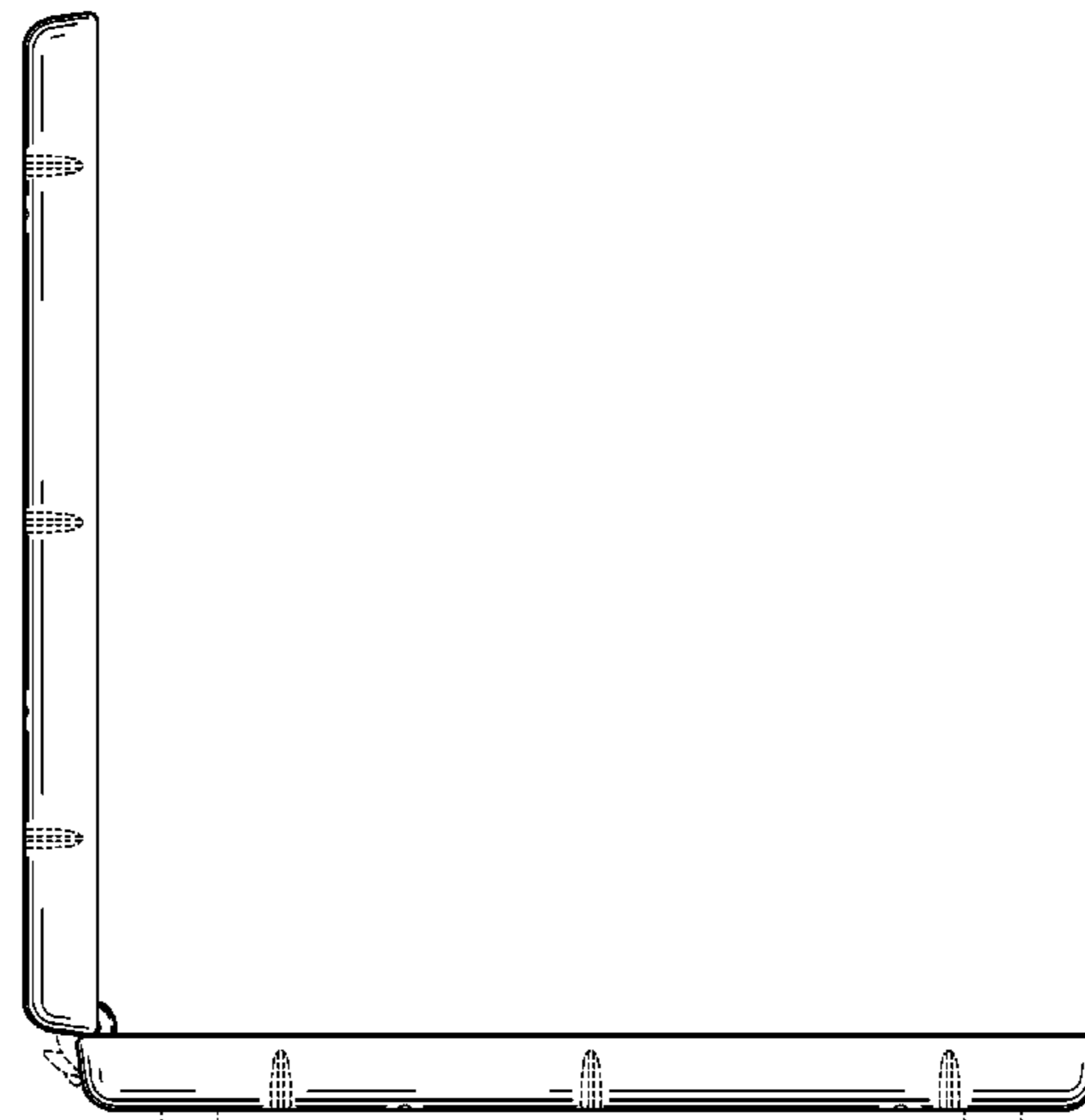
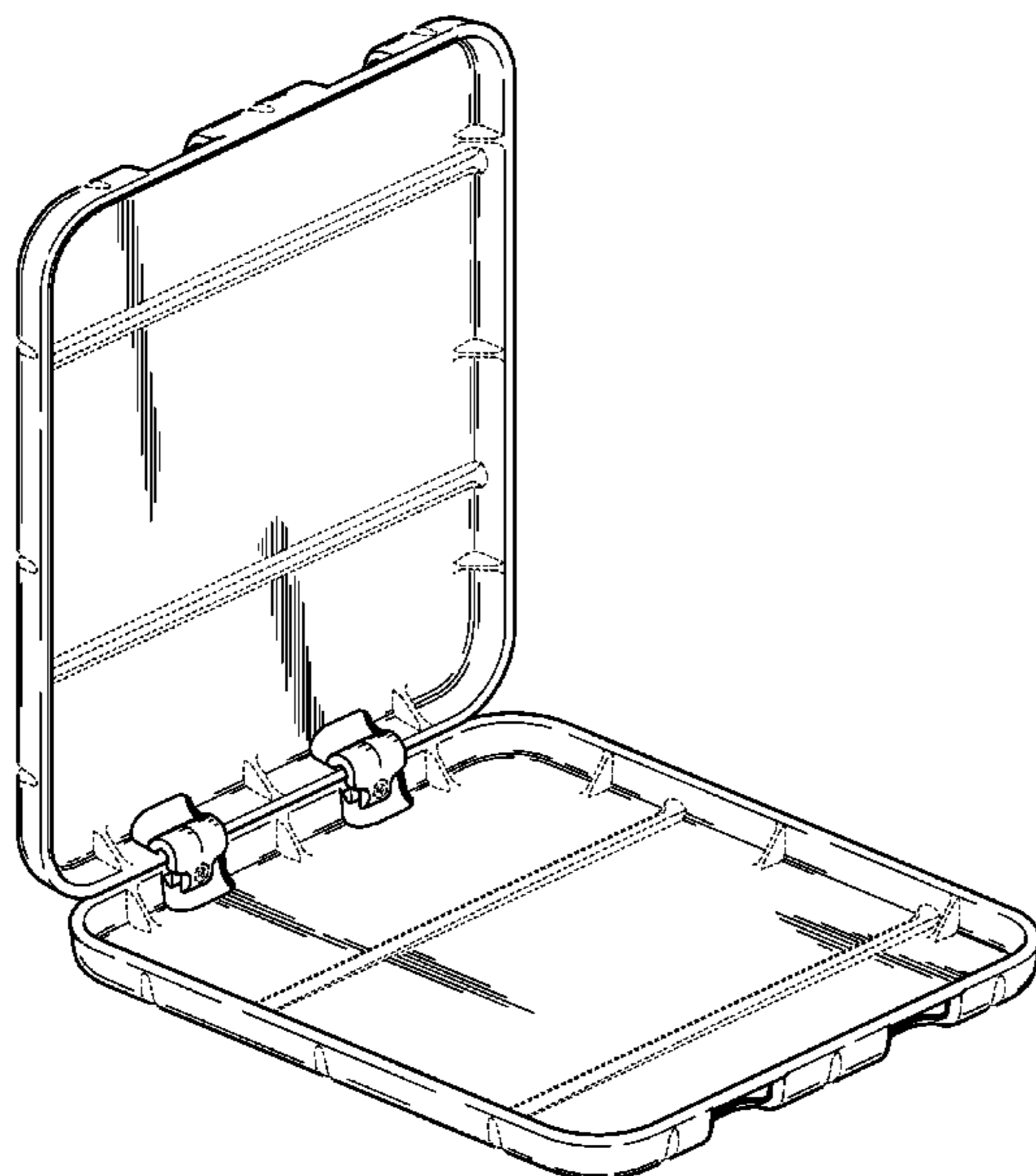




Fig. 1

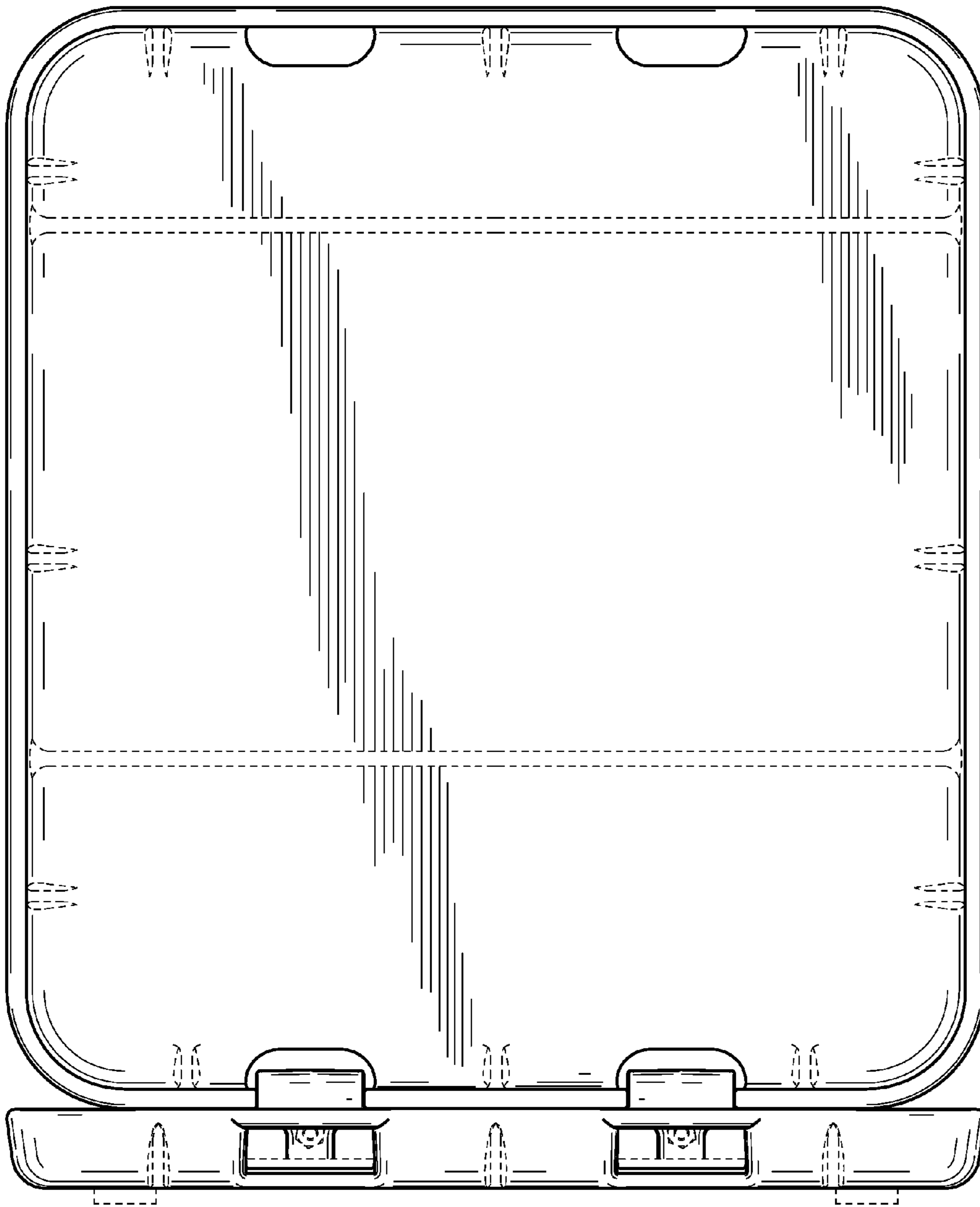


Fig. 2

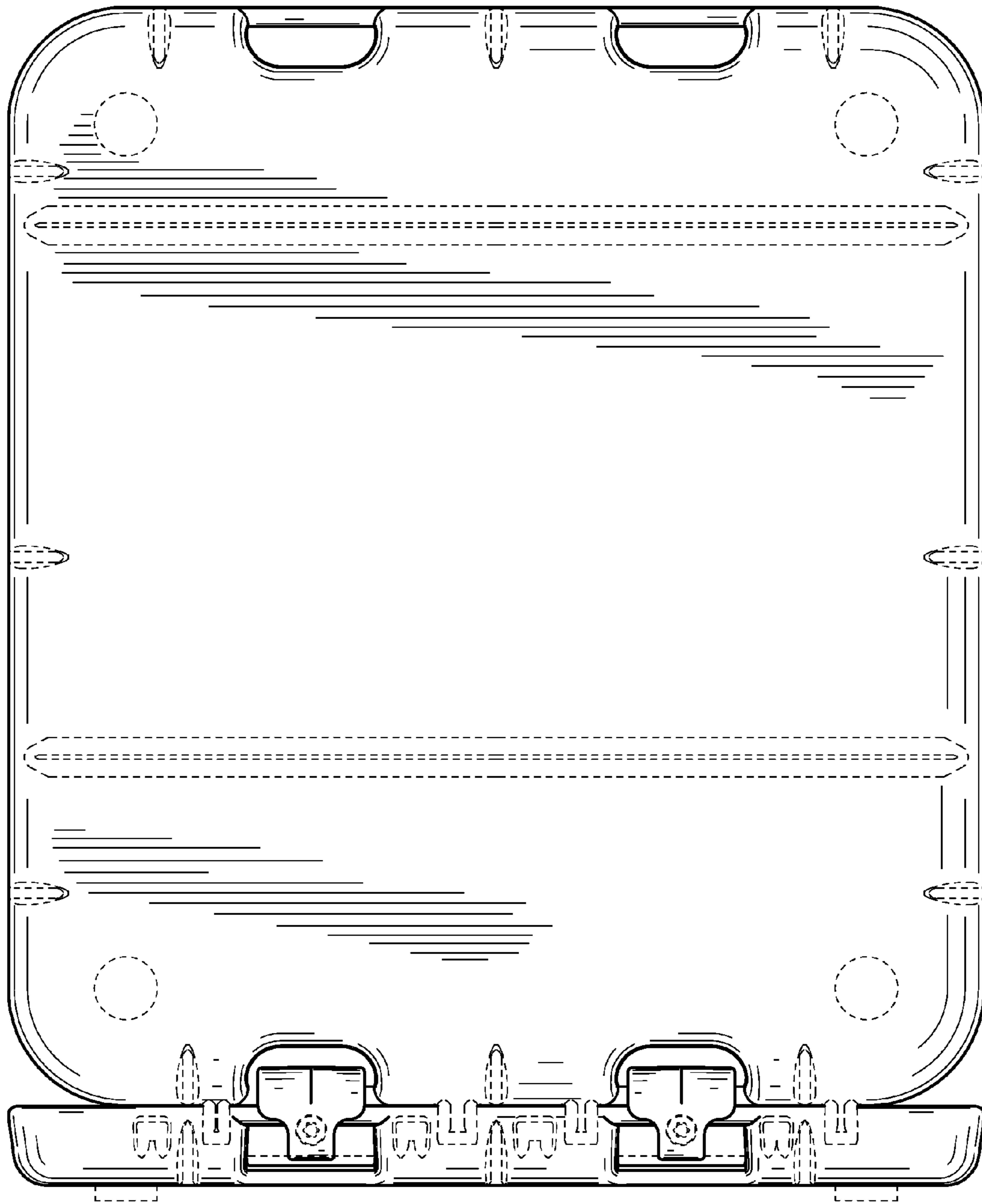


Fig. 3

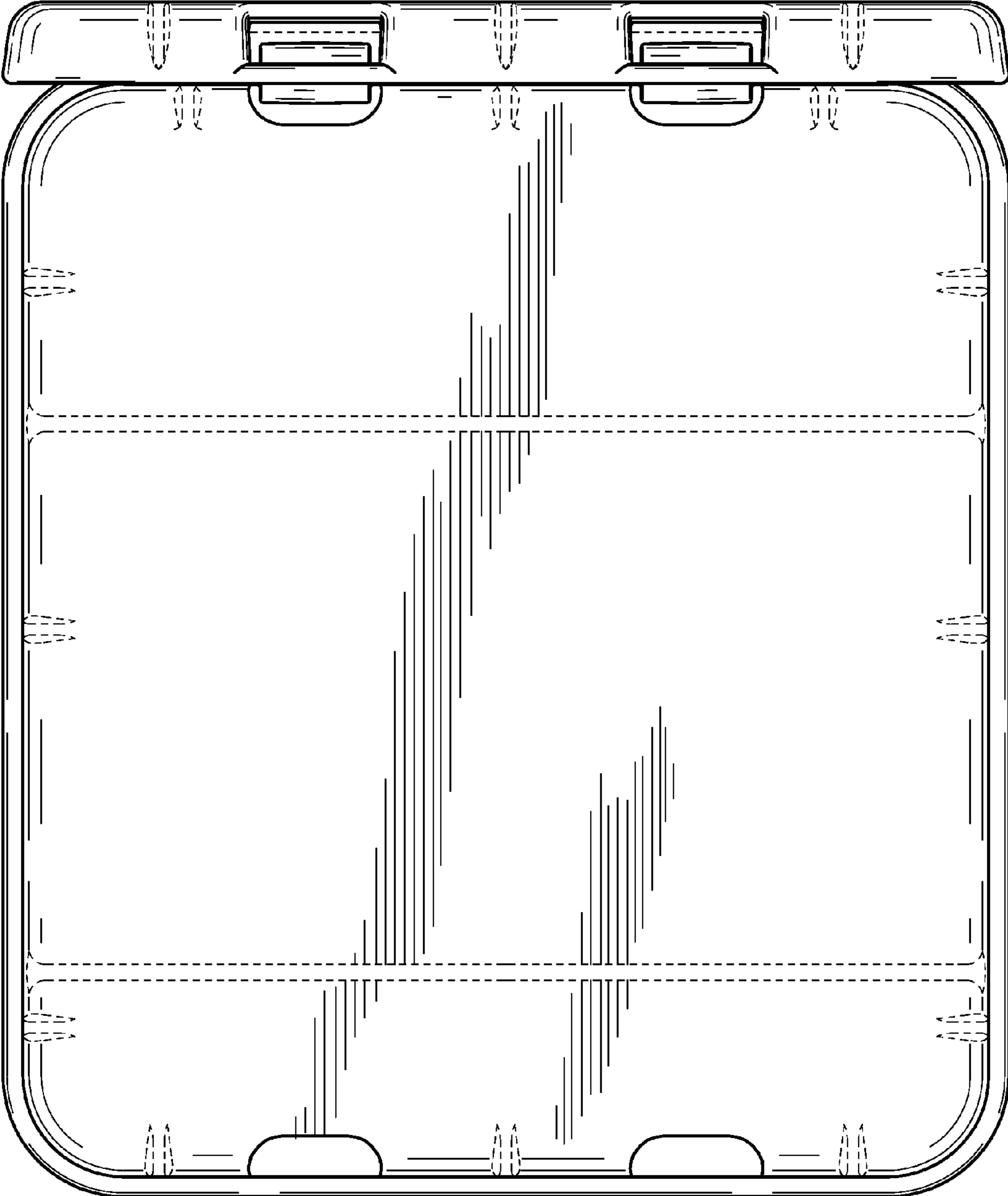


Fig. 4

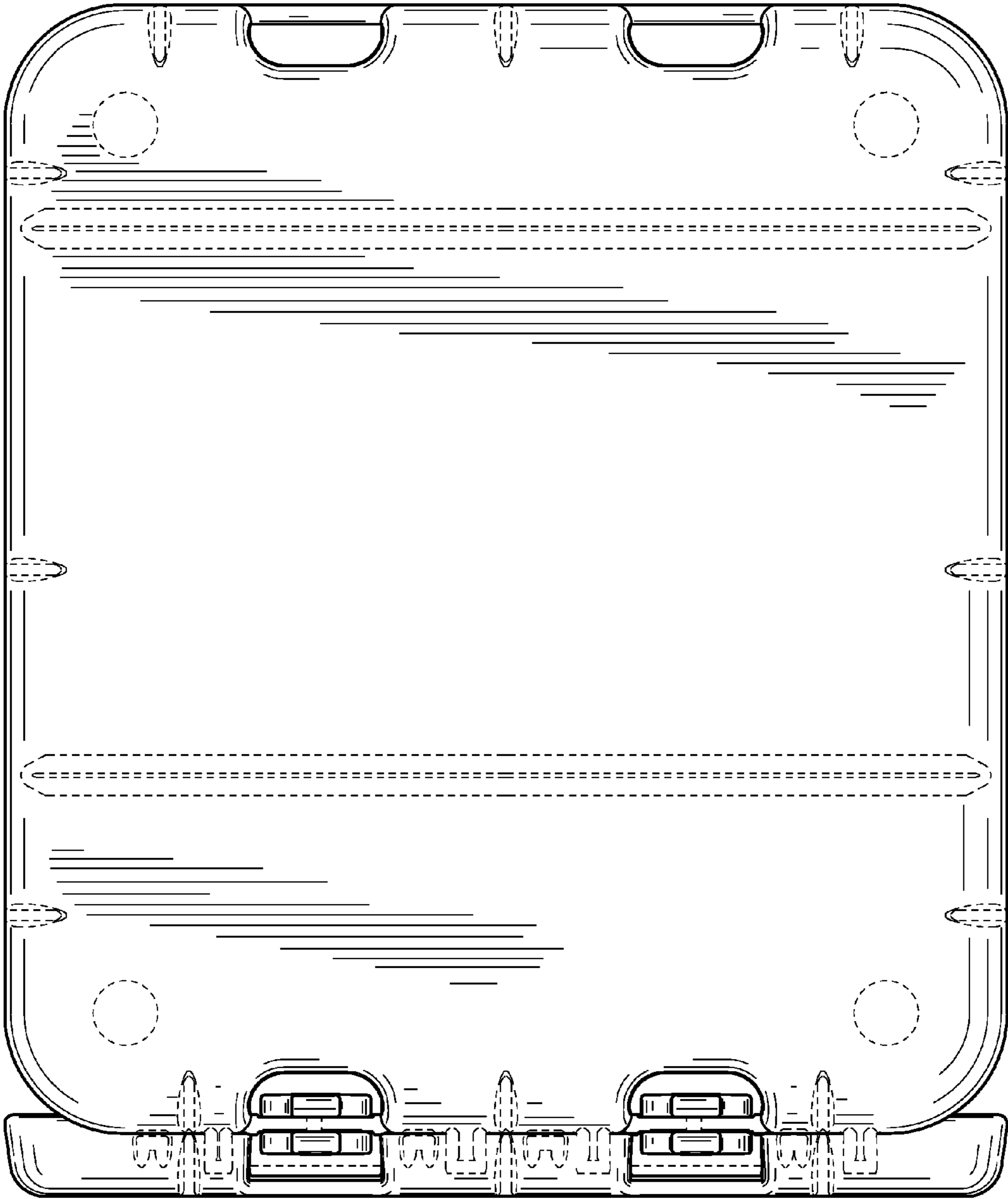


Fig. 5

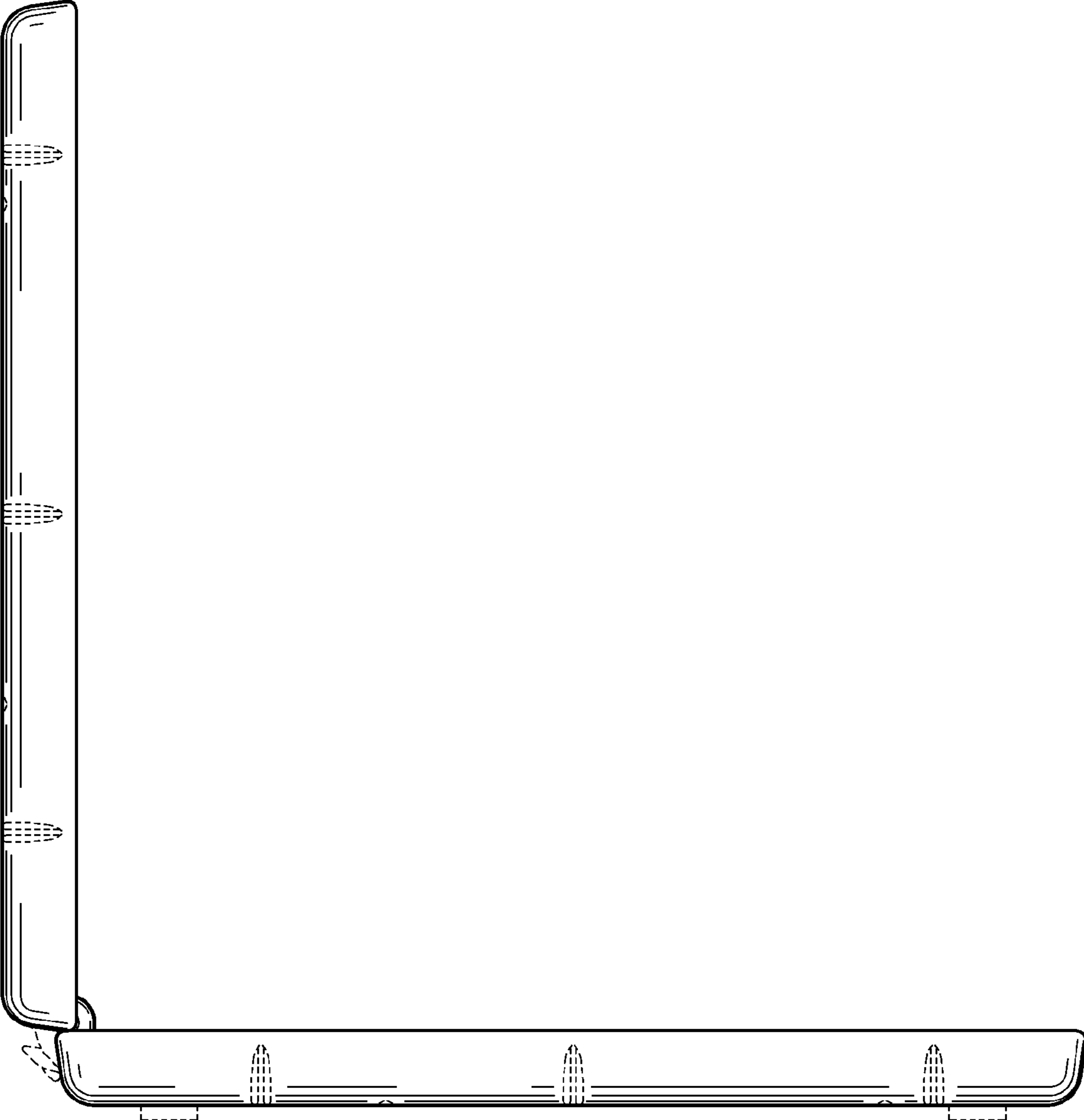


Fig. 6

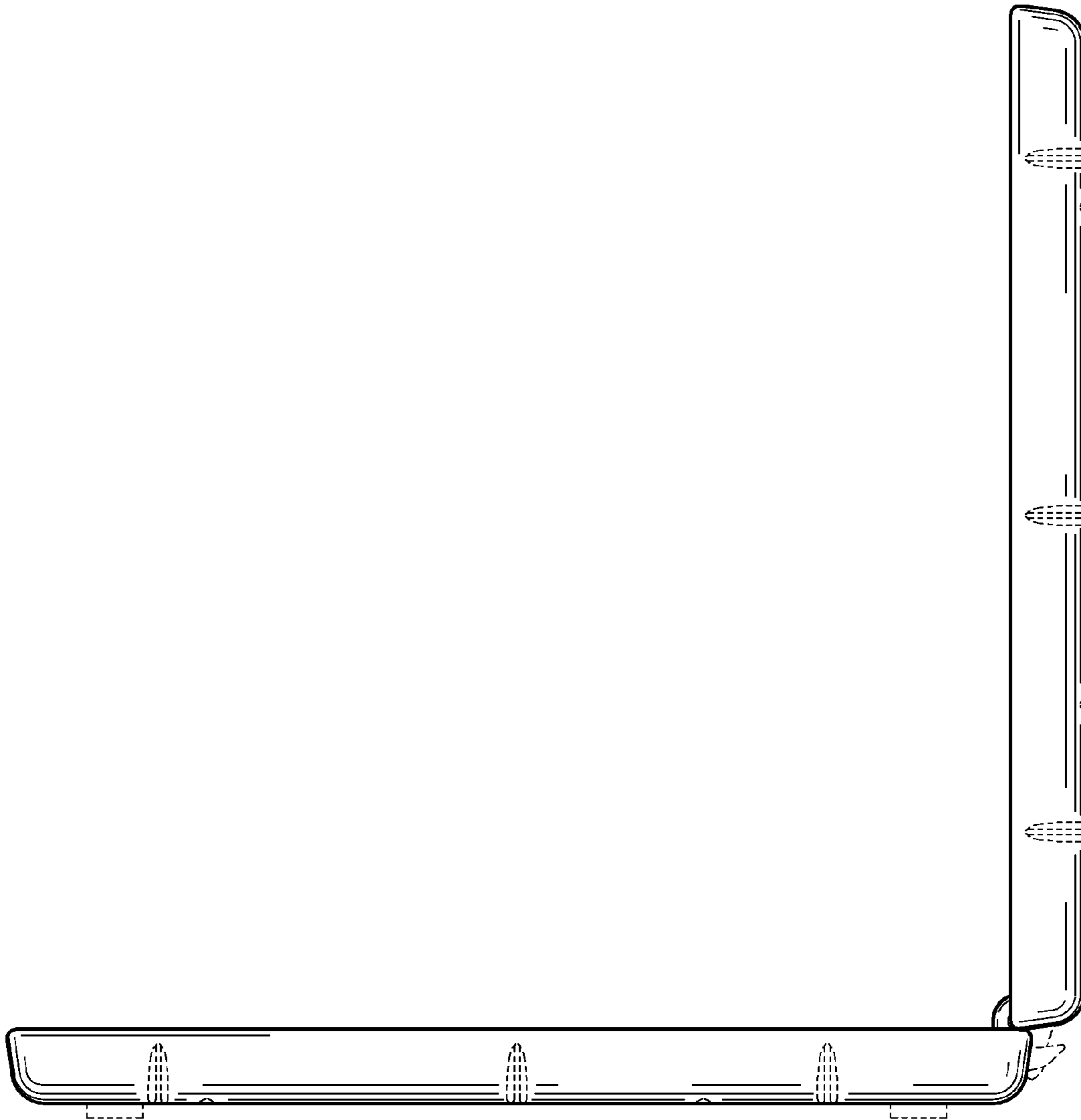


Fig. 7

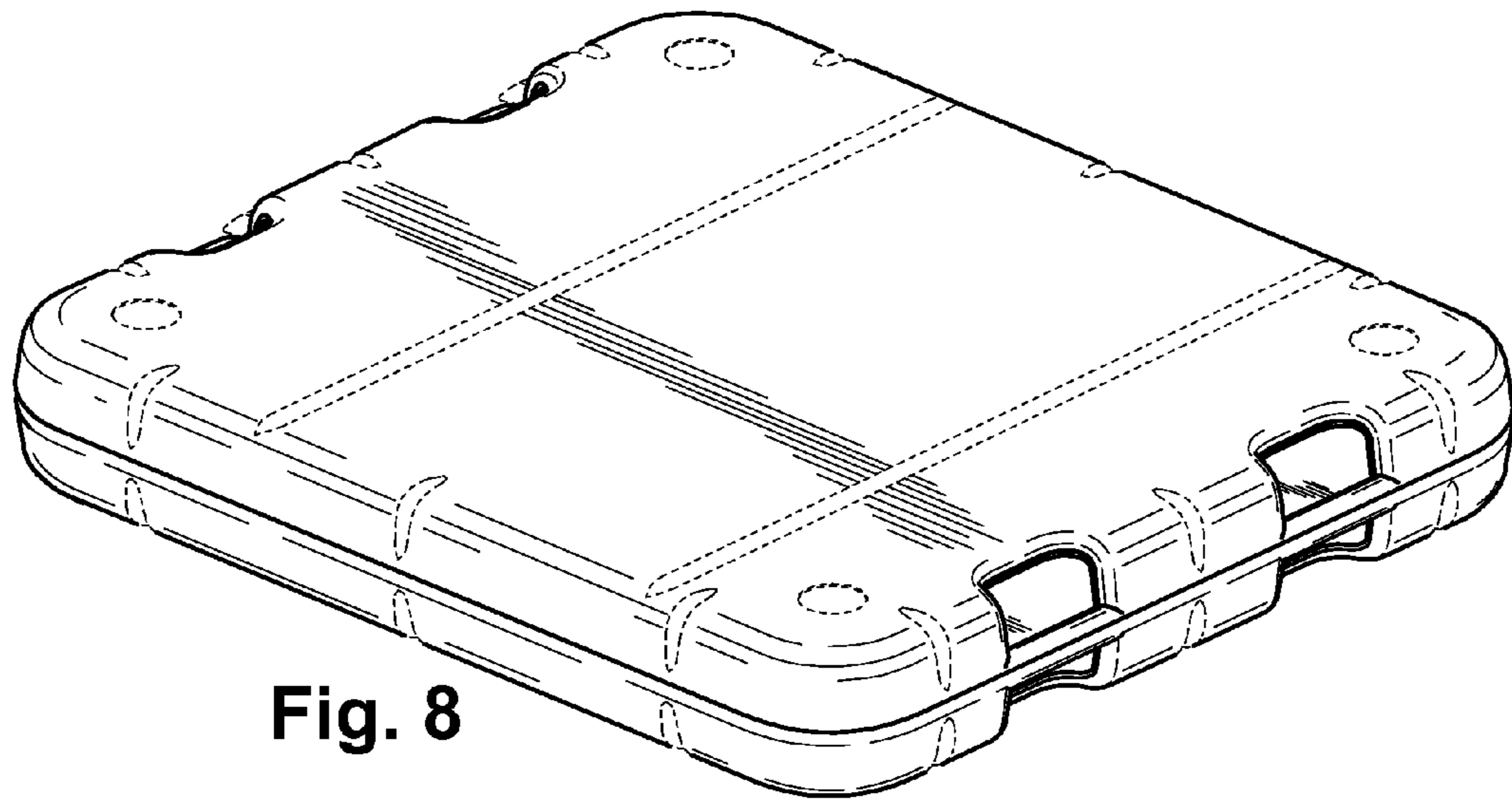


Fig. 8

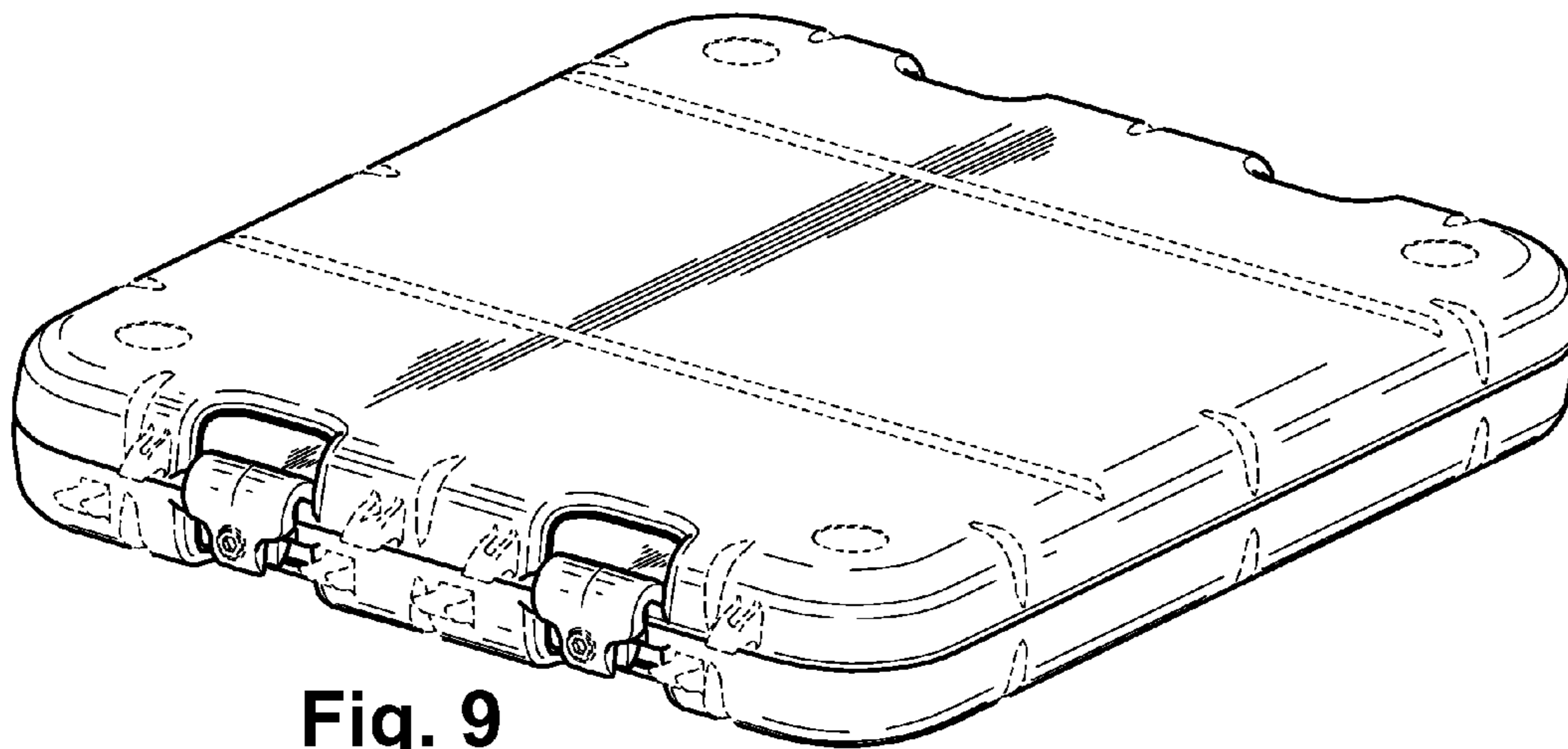


Fig. 9

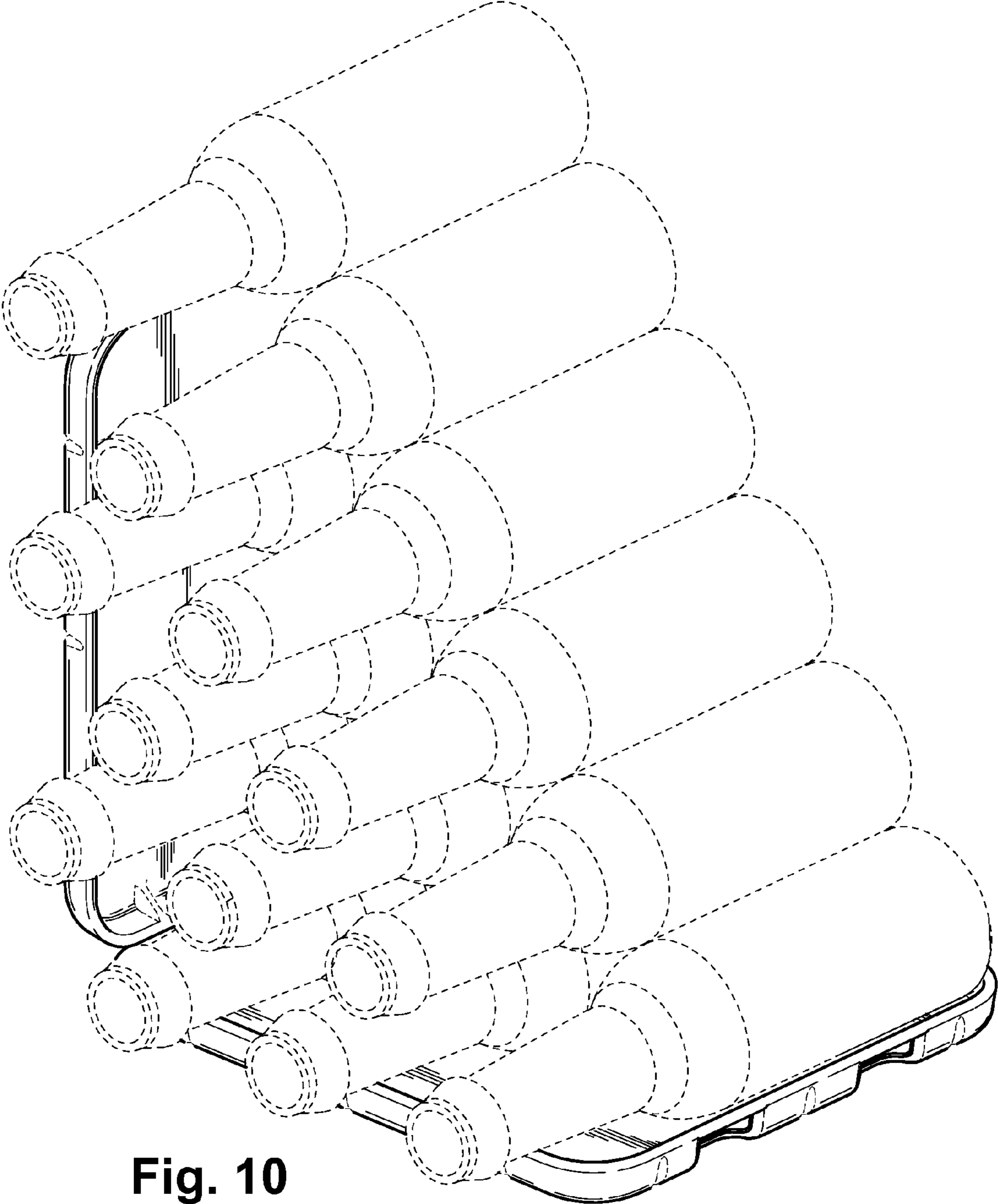


Fig. 10